



US00D738062S

(12) **United States Design Patent**
Rouillard et al.

(10) **Patent No.:** **US D738,062 S**
(45) **Date of Patent:** **** Sep. 1, 2015**

(54) **CLEANING SYSTEM TROLLEY**

1,621,324 A 3/1927 Hughes
2,116,312 A 5/1938 Hollett
2,830,825 A 4/1958 Webber et al.

(71) Applicant: **Diversey, Inc.**, Sturtevant, WI (US)

(Continued)

(72) Inventors: **Carol A. Rouillard**, Loveland, OH (US);
Andrew M. Bober, Racine, WI (US);
Alfred A. Widmer, Wil (CH); **Andrew**
R. J. Russell, Bourn (GB); **Dave Clark**,
Welwyn Garden City (GB); **Roderick J.**
McBrien, Leamington Spa (GB)

FOREIGN PATENT DOCUMENTS

CN 2581275 10/2003
DE 4322626 1/1995

(Continued)

OTHER PUBLICATIONS

(73) Assignee: **Diversey, Inc.**, Sturtevant, WI (US)

Vileda Origo Website, Vileda Professional, <http://www.origo.vileda.com/>.

(**) Term: **14 Years**

(Continued)

(21) Appl. No.: **29/475,296**

(22) Filed: **Dec. 2, 2013**

Primary Examiner — Cynthia Ramirez

(74) *Attorney, Agent, or Firm* — Michael Best & Friedrich LLP

Related U.S. Application Data

(60) Continuation of application No. 29/444,820, filed on Feb. 4, 2013, now Pat. No. Des. 695,984, which is a continuation of application No. 29/420,179, filed on May 4, 2012, now Pat. No. Des. 678,645, which is a

(Continued)

(51) **LOC (10) Cl.** **12-02**

(52) **U.S. Cl.**

USPC **D34/27**

(58) **Field of Classification Search**

USPC D34/27, 12-26; 280/47.34, 47.35, 79.2,
280/79.3, 47.26, 79.5, 47.19; D8/499

CPC B62B 3/02; B62B 3/10; B62B 3/00;
B62B 5/04; B62B 5/0083; B62B 3/002

See application file for complete search history.

(56) **References Cited**

U.S. PATENT DOCUMENTS

1,391,408 A 9/1921 Robbins
1,427,388 A 8/1922 Holley

CLAIM

The ornamental design for a cleaning system trolley, as shown and described.

DESCRIPTION

FIG. 1 is a perspective view of a cleaning system trolley constructed in accordance with an embodiment of the present invention;

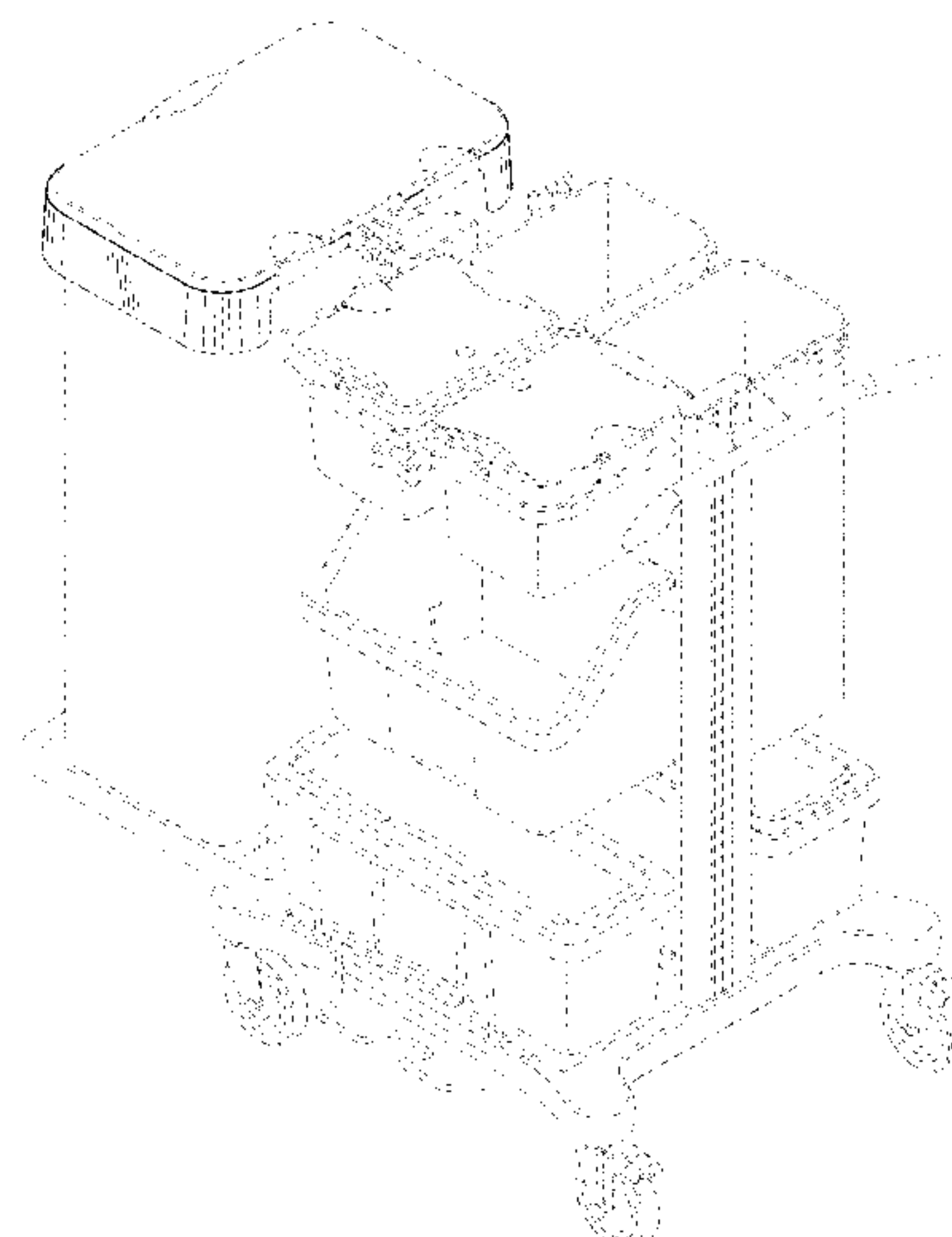
FIG. 2 is a top view of the cleaning system trolley shown in FIG. 1;

FIG. 3 is a left side view of the cleaning system trolley shown in FIGS. 1 and 2; and,

FIG. 4 is a front view of the cleaning system trolley shown in FIGS. 1-3.

The elements shown in broken lines are included for the purpose of illustrating environment and form no part of the claimed design. The boundary lines represented by alternating dashes and dots and showing the boundary between the claimed design and the unclaimed portions of the design are for illustrative purposes only and form no part of the claimed design.

1 Claim, 4 Drawing Sheets



Related U.S. Application Data

continuation of application No. 29/399,969, filed on Aug. 22, 2011, now Pat. No. Des. 659,340, which is a continuation of application No. 29/382,729, filed on Jan. 6, 2011, now Pat. No. Des. 643,990, which is a division of application No. 29/350,837, filed on Nov. 24, 2009, now Pat. No. Des. 632,043.

(56)

References Cited

U.S. PATENT DOCUMENTS

3,495,553	A	2/1970	McClure
3,524,692	A	8/1970	Preston
3,771,191	A	11/1973	Cain
3,853,329	A	12/1974	McDonald
3,999,775	A	12/1976	Brongo
4,068,891	A	1/1978	Herbst
4,099,735	A	7/1978	Becker, III
4,120,548	A	10/1978	Manor
4,165,088	A	8/1979	Nelson
D260,181	S	8/1981	Dallaire
D268,925	S	5/1983	Williams
D273,242	S	3/1984	Maza et al.
4,479,282	A	10/1984	Hallstrom
D283,395	S	4/1986	Cox et al.
4,632,461	A	12/1986	Randolph
4,707,877	A	11/1987	Griffin
4,743,040	A	5/1988	Breveglieri et al.
4,754,518	A	7/1988	Griffin
D302,064	S	7/1989	Delmerico
4,919,282	A	4/1990	Duff et al.
D316,444	S	4/1991	Abbestam et al.
5,069,466	A	12/1991	Propst
5,069,511	A	12/1991	Swets et al.
5,090,785	A	2/1992	Stamp
5,249,823	A	10/1993	McCoy
D341,914	S	11/1993	Reiner
5,257,860	A	11/1993	Slivon
5,282,678	A	2/1994	Teufel et al.
5,302,013	A	4/1994	Reiner
5,308,158	A	5/1994	Vogelgesang et al.
5,314,244	A	5/1994	Swets et al.
5,318,315	A	6/1994	White et al.
5,326,117	A	7/1994	Cook
5,348,222	A	9/1994	Patey
5,465,660	A	11/1995	Conti et al.
5,474,376	A	12/1995	Saunders
5,536,084	A	7/1996	Curtis et al.
5,566,961	A	10/1996	Sneil et al.
5,590,939	A	1/1997	Piontek
5,641,171	A	6/1997	Posey et al.
5,642,898	A	7/1997	Wise
5,660,637	A	8/1997	Dodge
5,673,983	A	10/1997	Carlson et al.
5,713,583	A	2/1998	Hansen
5,716,116	A	2/1998	Carlson et al.
5,887,878	A	3/1999	Tisbo et al.
5,913,528	A	6/1999	Kresse et al.
6,048,044	A	4/2000	Biggel et al.
D426,691	S	6/2000	Johnson et al.
6,079,719	A	6/2000	Tisbo et al.
6,116,067	A	9/2000	Myers et al.
6,131,929	A	10/2000	Haley
6,176,559	B1	1/2001	Tiramani et al.
D444,783	S	7/2001	Lord
6,259,067	B1	7/2001	Faries, Jr. et al.
6,264,220	B1	7/2001	Pierce et al.
D447,847	S	9/2001	Shyshka et al.
6,374,649	B1	4/2002	Holcomb et al.
6,497,423	B1	12/2002	Perelli et al.
D468,880	S	1/2003	Porter
6,572,123	B2	6/2003	Calmeise et al.
6,578,938	B2	6/2003	Norman et al.
D482,172	S	11/2003	Johnson et al.
D485,037	S	1/2004	Presnell et al.
6,739,605	B2	5/2004	Calmeise et al.

6,746,091	B2	6/2004	Friar et al.
6,805,246	B1	10/2004	Manabat
6,811,232	B2	11/2004	Doan et al.
6,827,357	B2	12/2004	Calmeise et al.
6,851,771	B2	2/2005	Marier et al.
6,860,494	B1	3/2005	Chisholm
6,910,710	B2	6/2005	Nguyen
6,932,444	B2	8/2005	Price
7,014,199	B2	3/2006	Hendzel
7,014,200	B2	3/2006	Calmeise et al.
7,044,569	B1	5/2006	Relyea et al.
7,104,556	B1	9/2006	Young
7,130,190	B1	10/2006	Baker
7,152,441	B2	12/2006	Friar et al.
7,160,113	B2	1/2007	McConnell et al.
7,168,773	B1	1/2007	Emary
D536,502	S	2/2007	Weigand et al.
D537,537	S	2/2007	Antonic
7,188,846	B2	3/2007	Deavila
7,228,936	B2	6/2007	Wyse et al.
D555,870	S	11/2007	Zorzo
D556,417	S	11/2007	Zorzo
D556,418	S	11/2007	Zorzo
D575,922	S	8/2008	Presnell
D589,671	S	3/2009	Rolin De Oliveira
7,497,448	B2	3/2009	Brown
7,566,069	B1	7/2009	Ortega et al.
7,648,147	B2	1/2010	Lauer et al.
D610,324	S	2/2010	Rossini et al.
D616,568	S	5/2010	Desrosiers et al.
7,731,314	B2	6/2010	Kim
D632,043	S	2/2011	Rouillard et al.
7,878,358	B2	2/2011	Smudde
D639,522	S	6/2011	Aragon
7,963,533	B2	6/2011	Bothun et al.
D643,990	S	8/2011	Rouillard et al.
7,988,160	B2	8/2011	Lindner et al.
D659,340	S	5/2012	Rouillard et al.
8,226,092	B2	7/2012	Oliver
D678,645	S	3/2013	Rouillard et al.
8,419,024	B1	4/2013	Arroyo-Ferrer
8,434,780	B2	5/2013	Li
8,540,255	B2	9/2013	Young
D695,984	S	12/2013	Rouillard et al.
2002/0030337	A1	3/2002	Calmeise et al.
2002/0070517	A1	6/2002	Ramsey
2002/0070640	A1	6/2002	Hamilton et al.
2002/0109318	A1	8/2002	Calmeise et al.
2005/0001395	A1	1/2005	Fuentes
2005/0017480	A1	1/2005	Paganini
2005/0077805	A1	4/2005	Dalebout et al.
2005/0281653	A1	12/2005	Channel
2006/0006621	A1	1/2006	Santa Cruz et al.
2006/0163827	A1	7/2006	Lauer et al.
2006/0220503	A1	10/2006	Widrig
2006/0228201	A1	10/2006	Lenceski
2007/0018433	A1	1/2007	Sinnamon et al.
2007/0140774	A1	6/2007	Dyer et al.
2007/0176523	A1	8/2007	Lin
2007/0210546	A1	9/2007	Presnell et al.
2007/0222166	A1	9/2007	Ruiz
2007/0267832	A1	11/2007	Denissov
2009/0315285	A1	12/2009	Glass
2010/0066045	A1	3/2010	Presnell et al.
2010/0090428	A1	4/2010	Meers et al.
2011/0121530	A1	5/2011	Young
2011/0169249	A1	7/2011	Lindner et al.
2011/0291372	A1	12/2011	Stryker et al.
2013/0113171	A1	5/2013	Pennings et al.

FOREIGN PATENT DOCUMENTS

DE	19822121	11/1999
DE	20100071	4/2001
DE	20305064	9/2003
DE	102005044984	1/2007
EP	1279582	1/2003
EP	1967437	9/2008

(56)

References Cited

FOREIGN PATENT DOCUMENTS

FR	2367456	5/1978
FR	2649659	1/1991
WO	2007033724	3/2007

OTHER PUBLICATIONS

Ecolab Professional Products Website, <http://rasantec.de/de/html/pal/index.html>.

Rubbermaid, 9T73 Rubbermaid HYGEN Microfiber Cleaning Cart, Rubbermaid Commercial Products, available online at: <http://www.rcpworksmarter.com/rcp/products/detail.jsp?rcpNum=9T73>, available at least as early as Feb. 19, 2008.

Rubbermaid, 9T75 High Security Cleaning Cart, Rubbermaid Commercial Products, available online at: <http://www.rcpworksmarter.com/rcp/products/detail.jsp?rcpNum=9T75>, available at least as early as Feb. 19, 2008.

AnytimeProducts.com, Wire Shelving Unit with Casters and 4", 6", and 8" Wide Bins, available at least as early as Jun. 25, 2008.

AnytimeProducts.com, Tilt and Lock Plastic Bins, available at least as early as Jun. 25, 2008.

AnytimeProducts.com, Welded Mobile Bench Cabinets, available at least as early as Jun. 25, 2008.

AnytimeProducts.com, A-Frame Mobile Storage Trucks, available at least as early as Jun. 25, 2008.

Rubbermaid, 600 lb Garden Dump Cart, available at least as early as Jun. 25, 2008.

Rubbermaid, 6180-88 Trades Cart with Locking Cabinet Includes 2 Parts Boxes and 4 Parts Bins, Rubbermaid Commercial Products, Material Handling > Utility & Service Carts, available at least as early as Jun. 25, 2008.

Rubbermaid, 9T74 Microfiber Cleaning Cart with Color-Coded Pails, Rubbermaid Commercial Products, Cleaning > Cleaning Carts, available at least as early as Jun. 25, 2008.

Shelf Space eShop, CS/P/055, Metabin Single Wire Hooks, available at least as early as Jun. 25, 2008.

Shelf Space eShop, CS/P/019, Metabin Double Sided Trolley 1000x1000mm + Bins, available at least as early as Jun. 25, 2008.

Global Industrial, Aluminum 3 Tote Box Cart, Bins, Totes, & Containers, Bin & Tote Carts, available at least as early as Jun. 25, 2008.

VERMOP—Professional Cleaning Systems, Shopster, VERMOP Salmon GmbH—Professionelle Reinigungssysteme, available at least as early as May 28, 2010.

Catalog of Available Trolleys in Market, information obtained on the Internet before Feb. 19, 2011.

International Search Report for Application No. PCT/US2009/053765 dated Mar. 16, 2010 (3 pages).

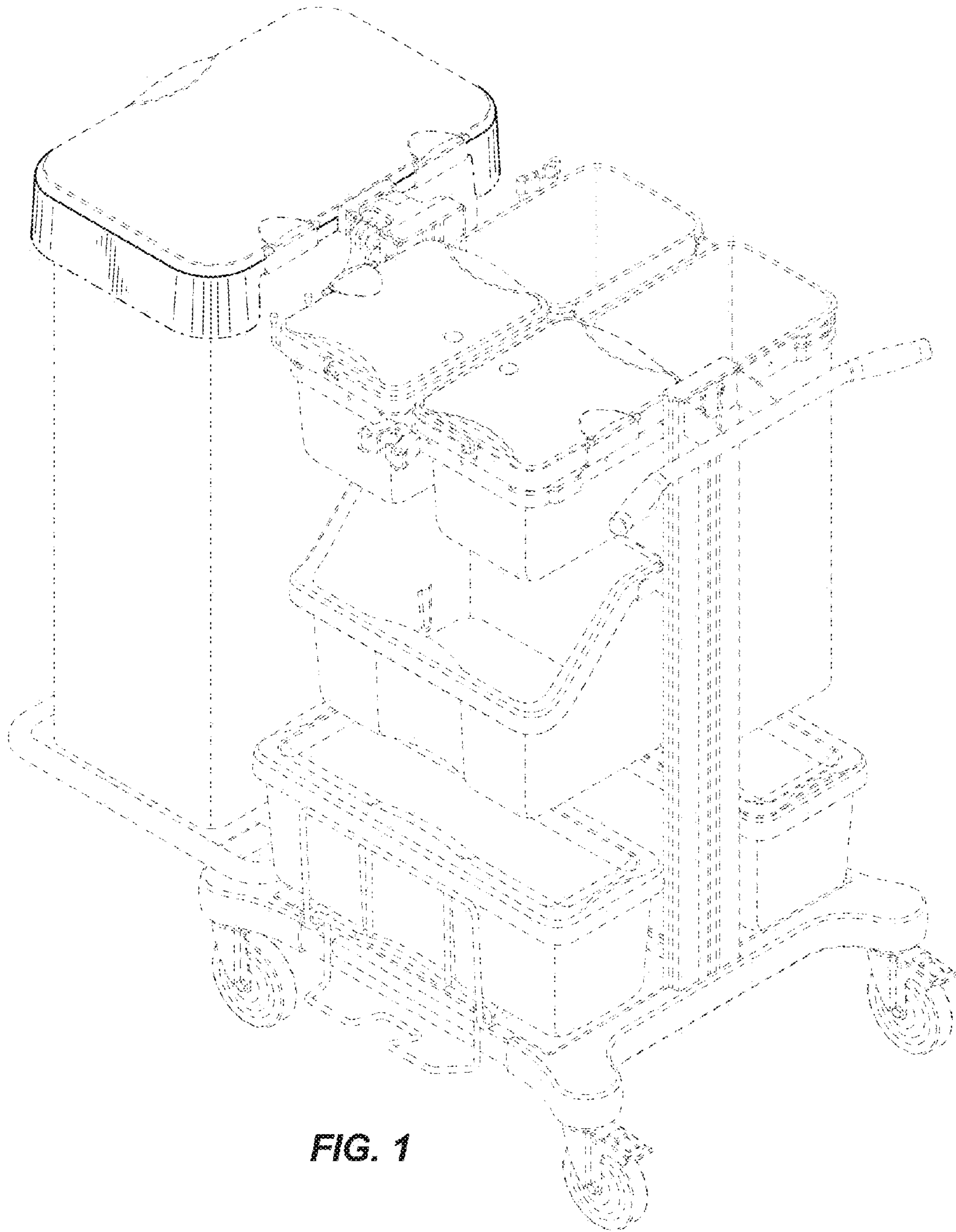


FIG. 1

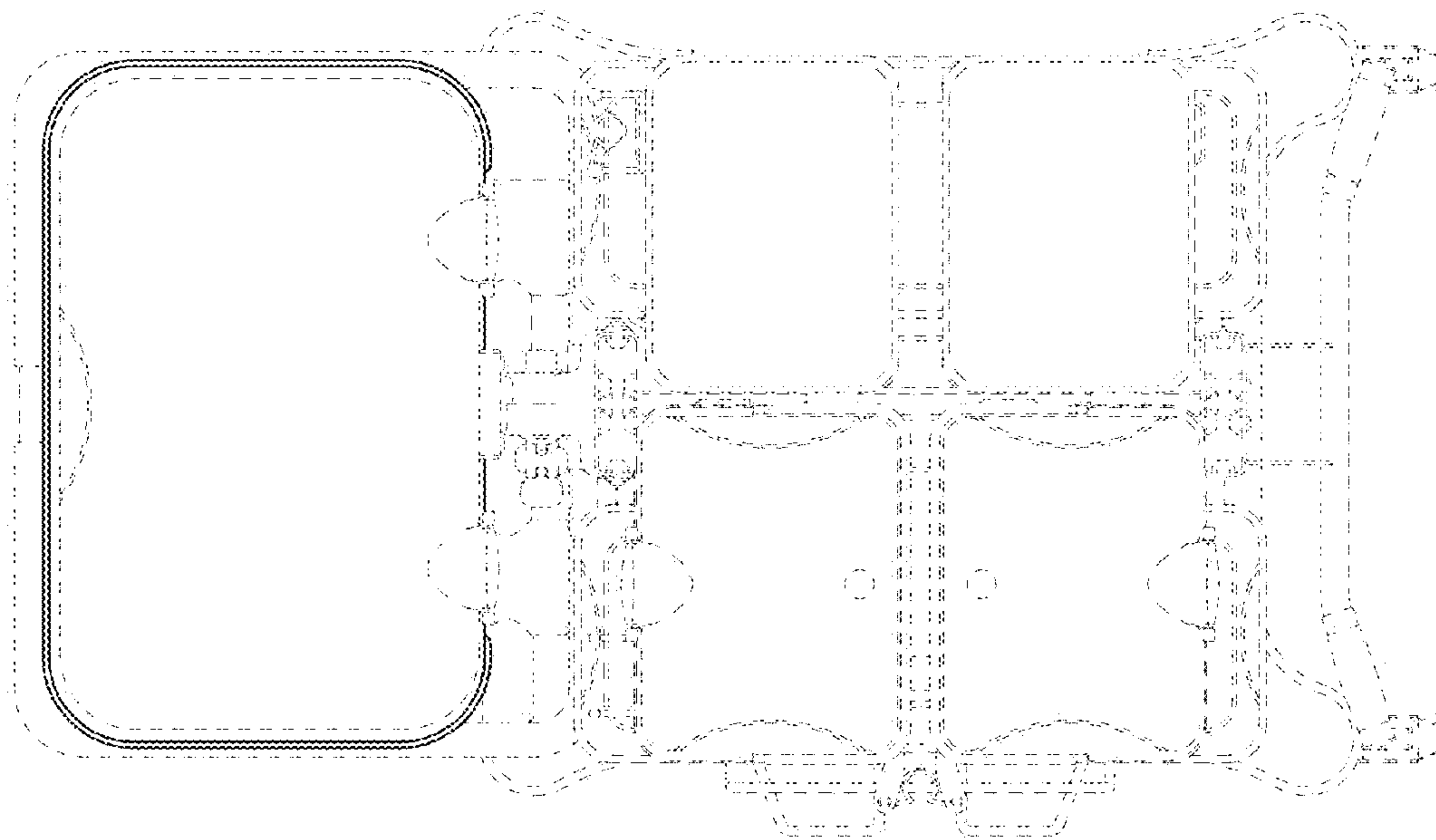


FIG. 2

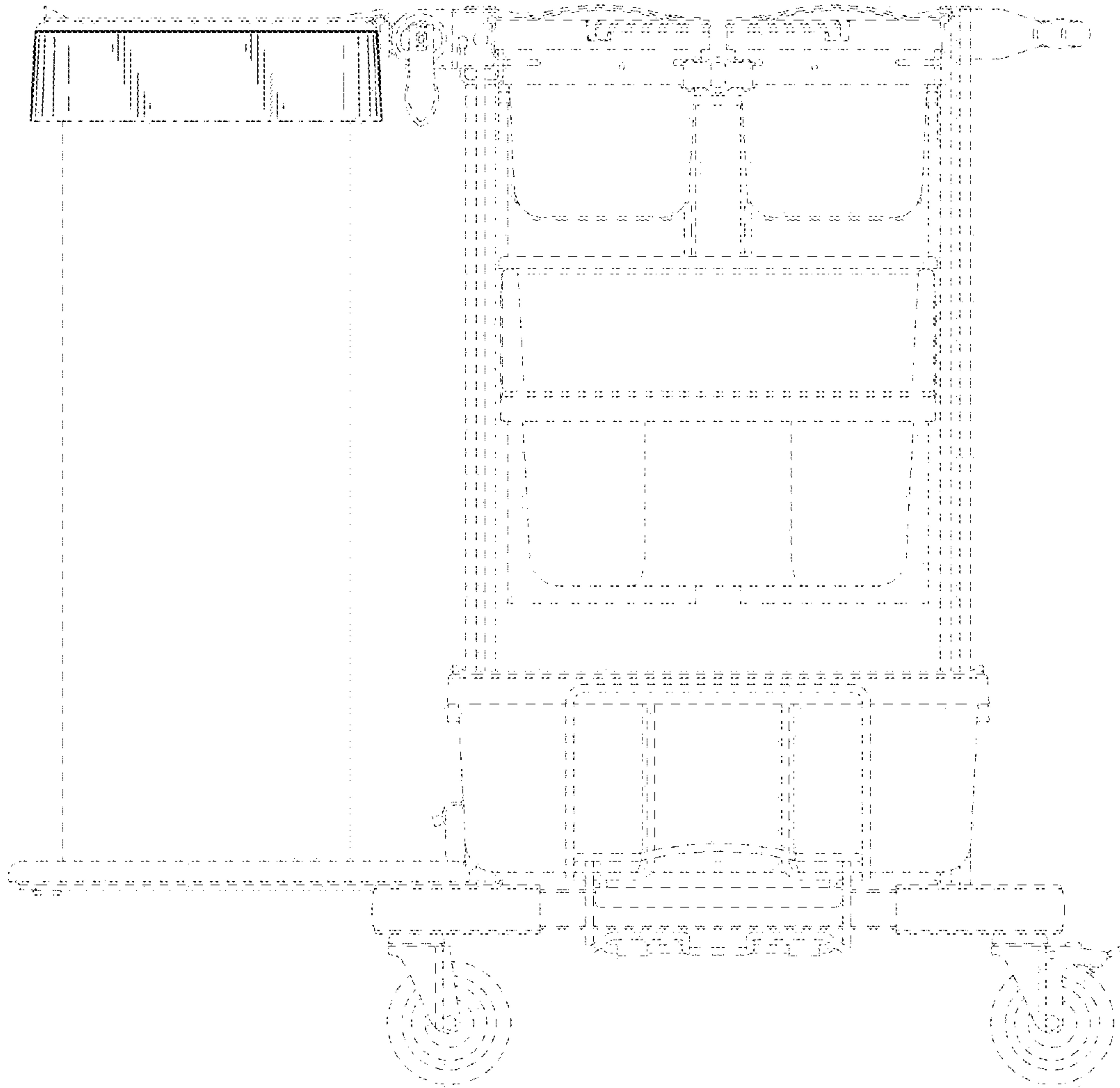


FIG. 3

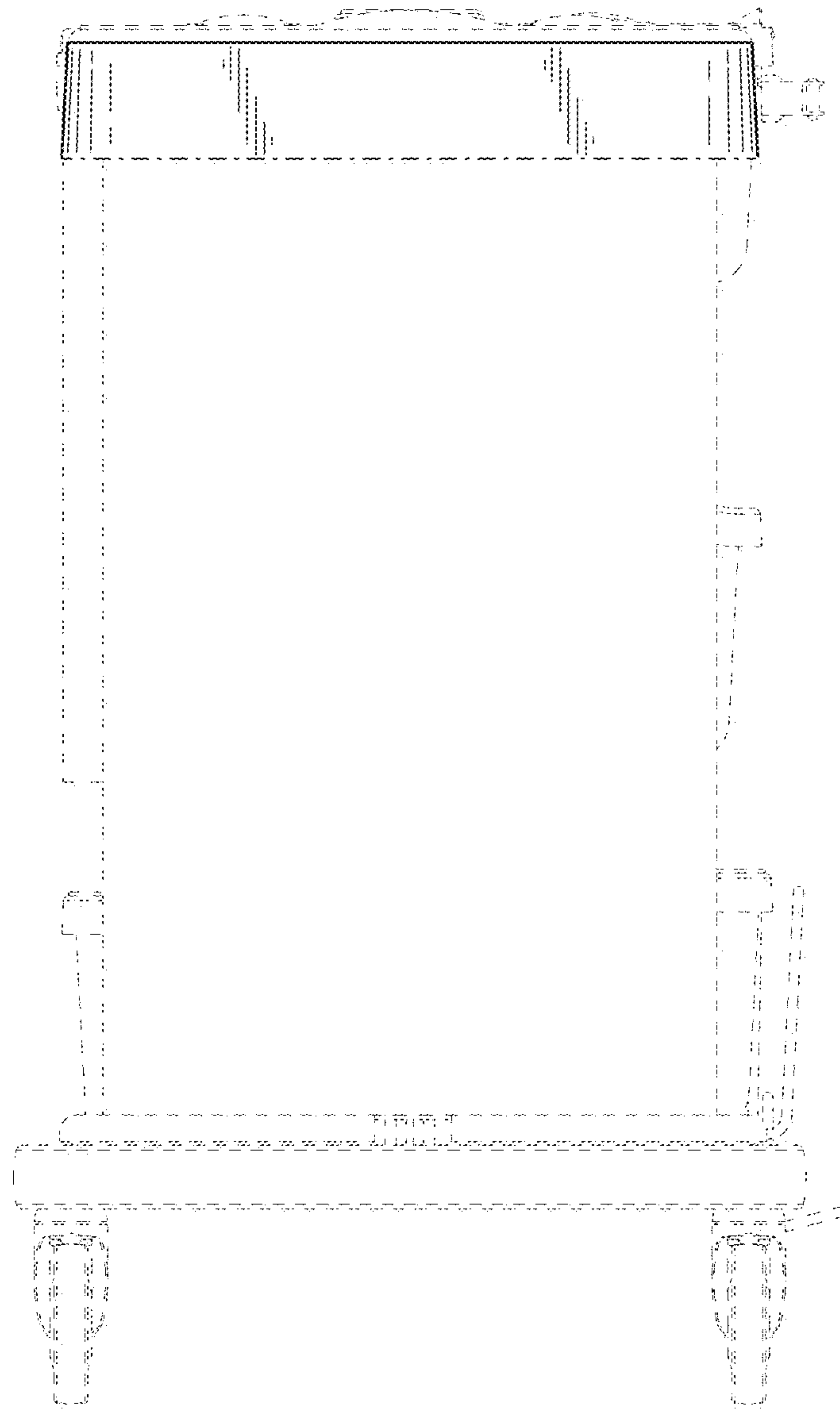


FIG. 4