



US00D738060S

(12) **United States Design Patent**
La Rovere et al.

(10) **Patent No.:** **US D738,060 S**
(45) **Date of Patent:** **** Sep. 1, 2015**

(54) **IRON WITH STEAM GENERATOR**

(71) Applicant: **KONINKLIJKE PHILIPS N.V.**,
Eindhoven (NL)
(72) Inventors: **Massimiliano La Rovere**, Singapore
(SG); **Xue Xiao**, Singapore (SG)
(73) Assignee: **KONINKLIJKE PHILIPS N.V.**,
Eindhoven (NL)
(**) Term: **14 Years**

(21) Appl. No.: **29/509,795**

(22) Filed: **Nov. 21, 2014**

(30) **Foreign Application Priority Data**

May 26, 2014 (CN) 2014 3 0148823
May 26, 2014 (EM) 002470302-0001

(51) **LOC (10) Cl.** **07-05**

(52) **U.S. Cl.**
USPC **D32/73; D32/71**

(58) **Field of Classification Search**
USPC D32/71, 73, 72, 70, 69, 68, 35; D8/71,
D8/373, 349, 396, 30; D15/144, 144.2;
D28/73; 219/231, 242, 229; 165/80.1;
126/414

See application file for complete search history.

(56) **References Cited**

U.S. PATENT DOCUMENTS

D439,023	S	*	3/2001	Powell	D32/73
D463,641	S	*	9/2002	Powell	D32/71
D470,637	S	*	2/2003	Berthier	D32/73
D470,986	S	*	2/2003	Berthier	D32/73
D484,658	S	*	12/2003	Schupp	D32/73
D548,418	S	*	8/2007	Cahen	D32/70
D570,570	S	*	6/2008	Renault	D32/73
D617,518	S	*	6/2010	Choi	D32/73
D660,538	S	*	5/2012	Smith	D32/71
D667,600	S	*	9/2012	Smith	D32/70
D693,083	S	*	11/2013	Smith	D32/73
D701,362	S	*	3/2014	Smith	D32/70

* cited by examiner

Primary Examiner — Austin Murphy

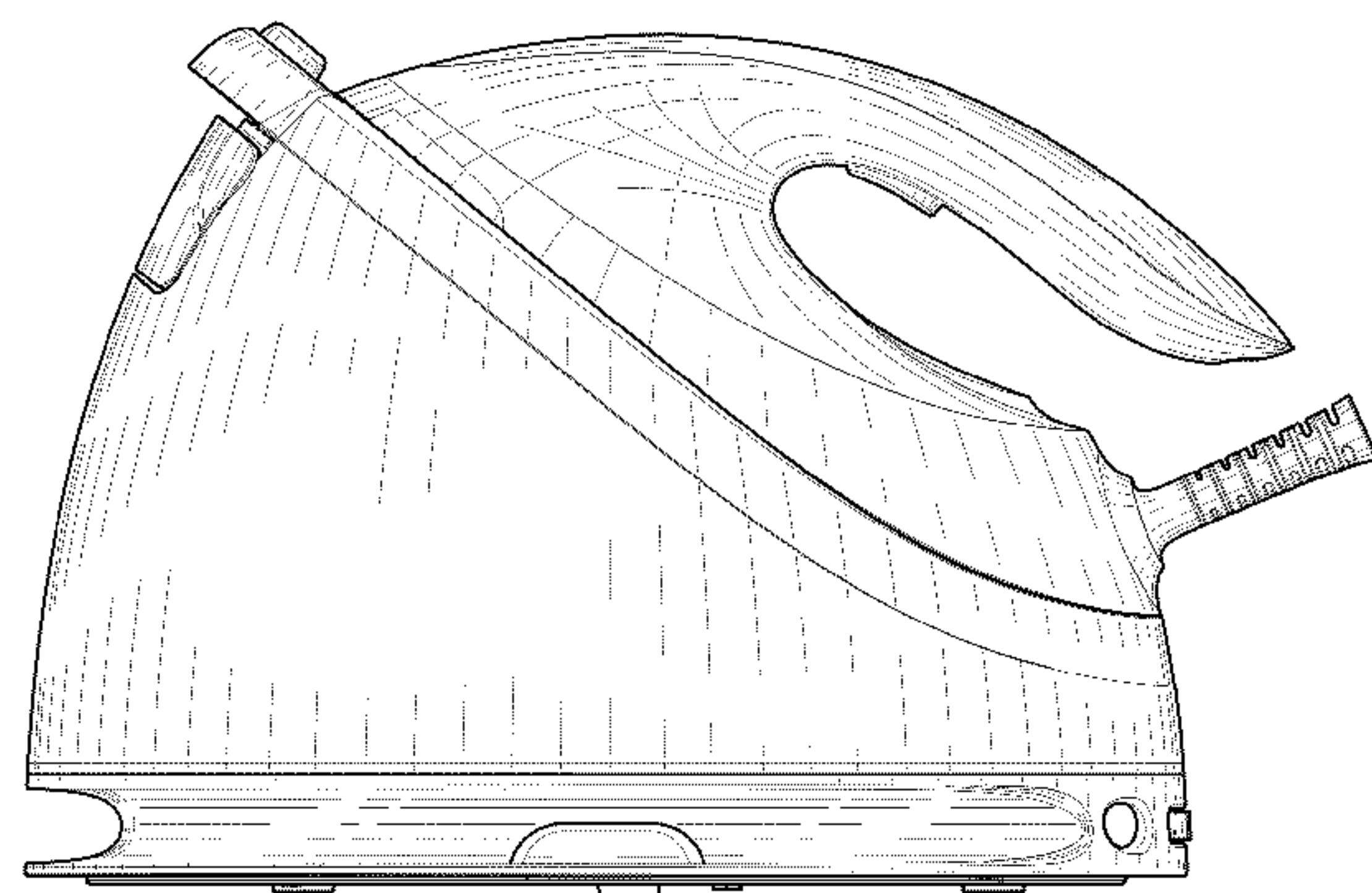
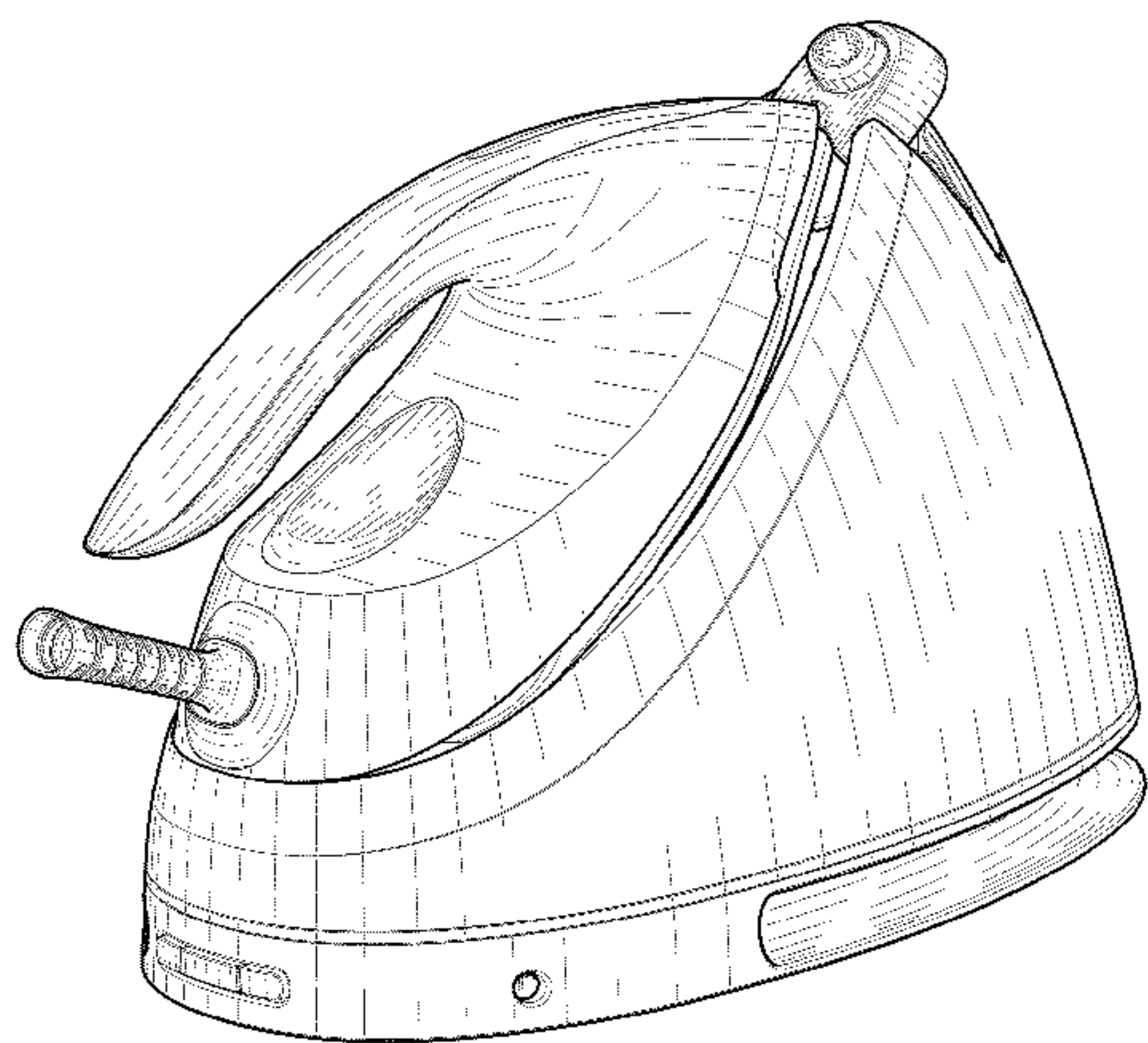
(57) **CLAIM**

The ornamental design for a iron with steam generator, as shown.

DESCRIPTION

FIG. 1 is a perspective view showing my design;
FIG. 2 is a front elevational view thereof;
FIG. 3 is a rear elevational view thereof;
FIG. 4 is a right side elevational view thereof;
FIG. 5 is a left side elevational view thereof;
FIG. 6 is a top plan view thereof; and,
FIG. 7 is a bottom plan view thereof.

1 Claim, 5 Drawing Sheets



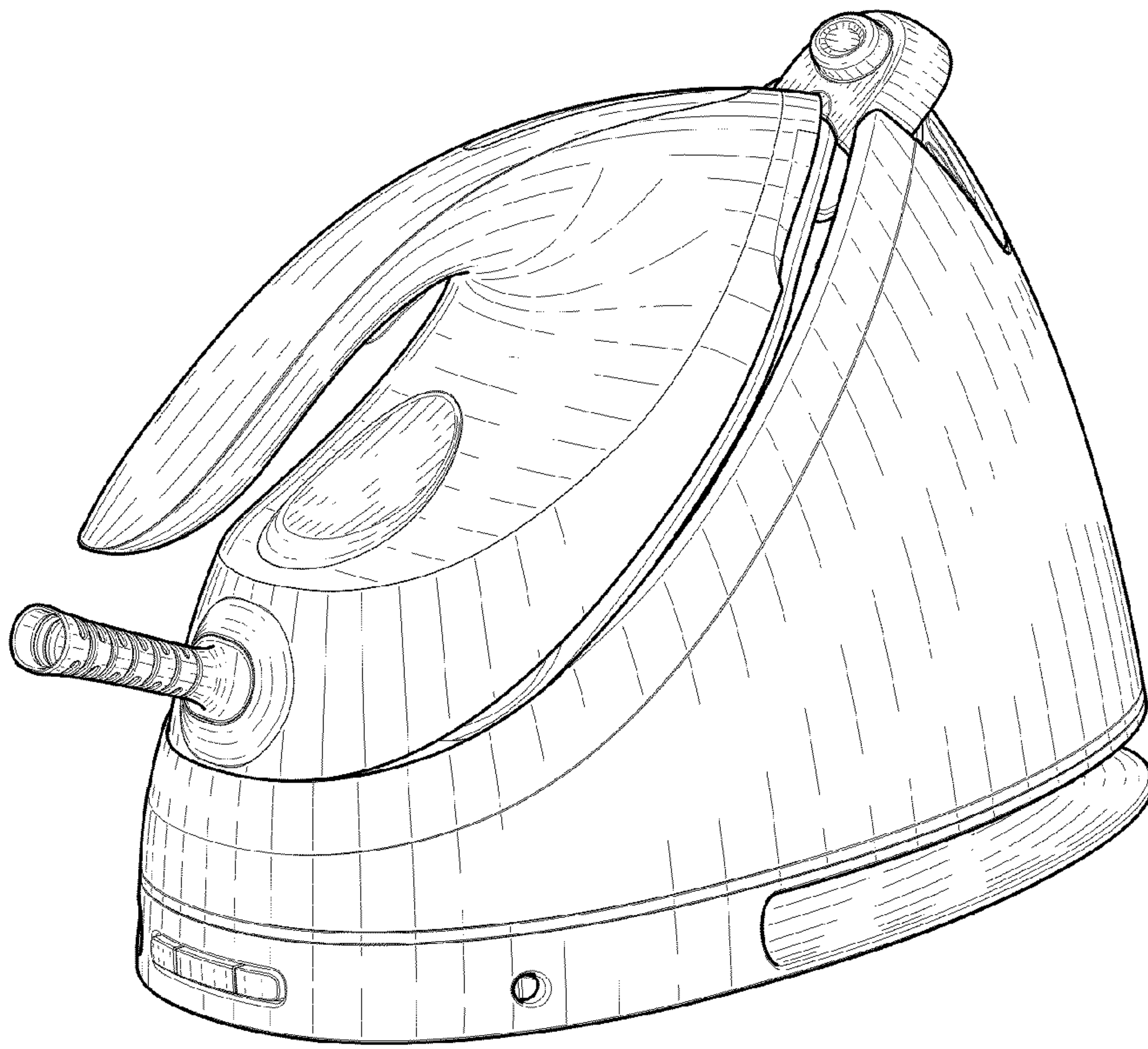


FIG. 1

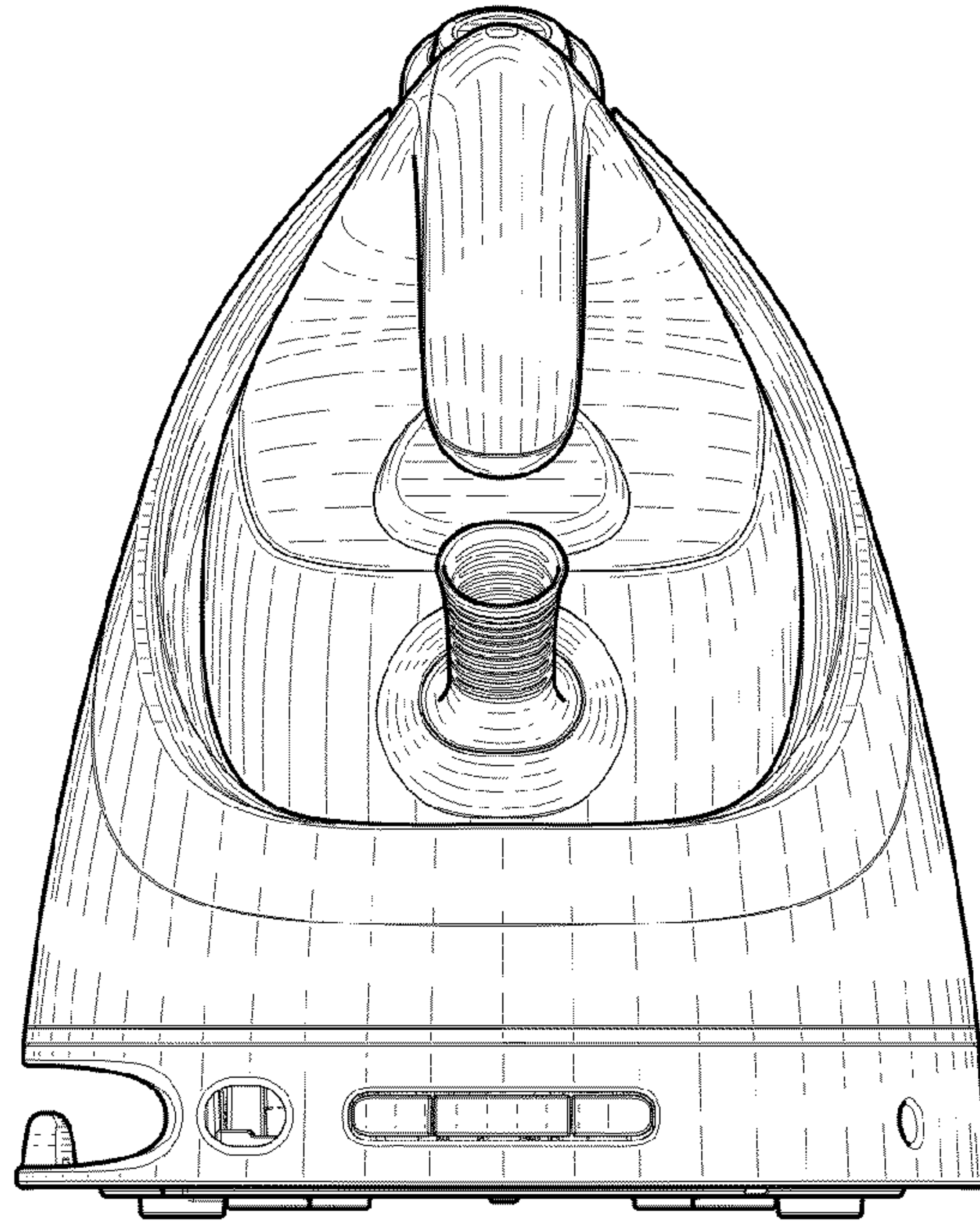


FIG. 2

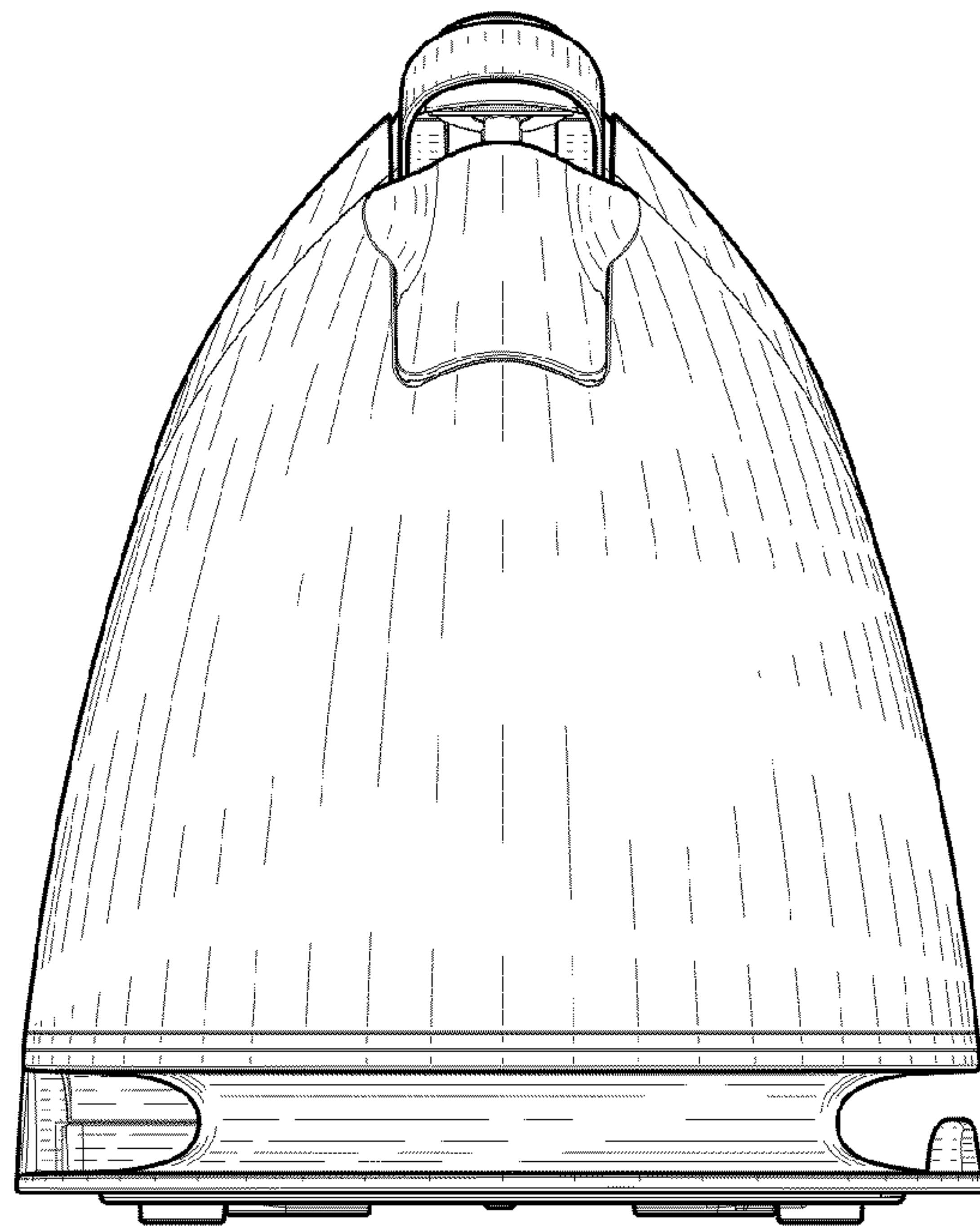


FIG. 3

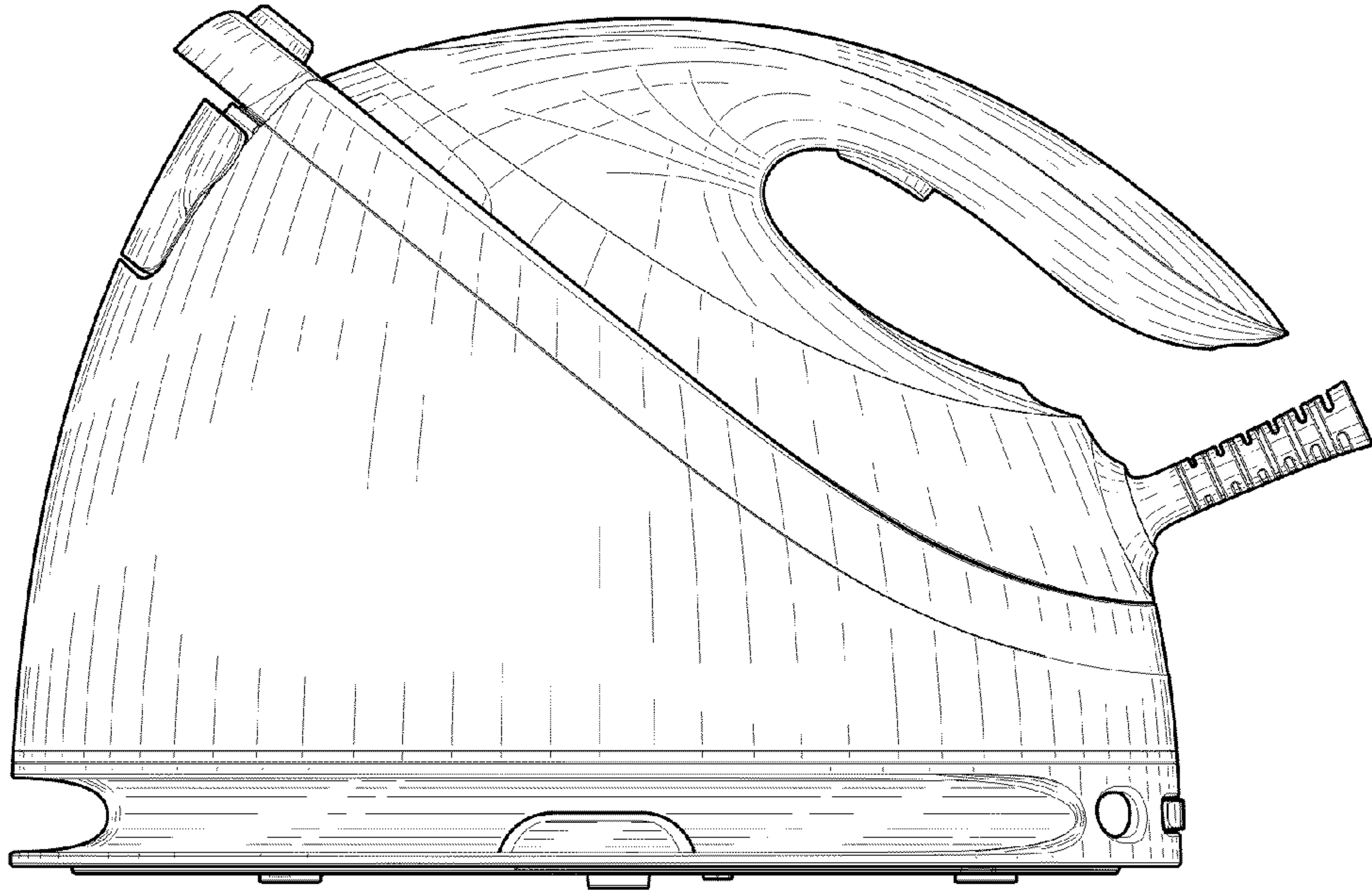


FIG. 4

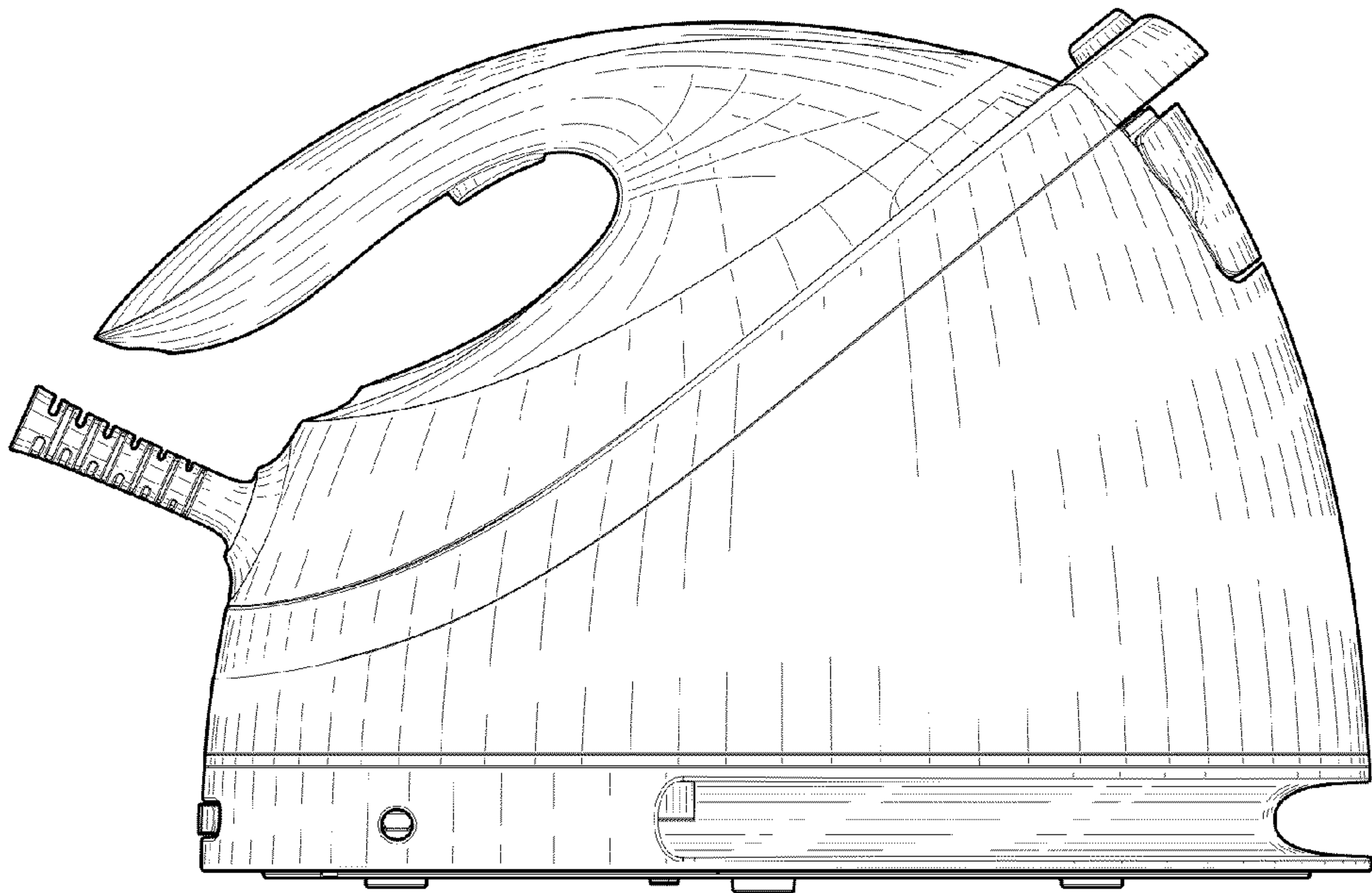


FIG. 5

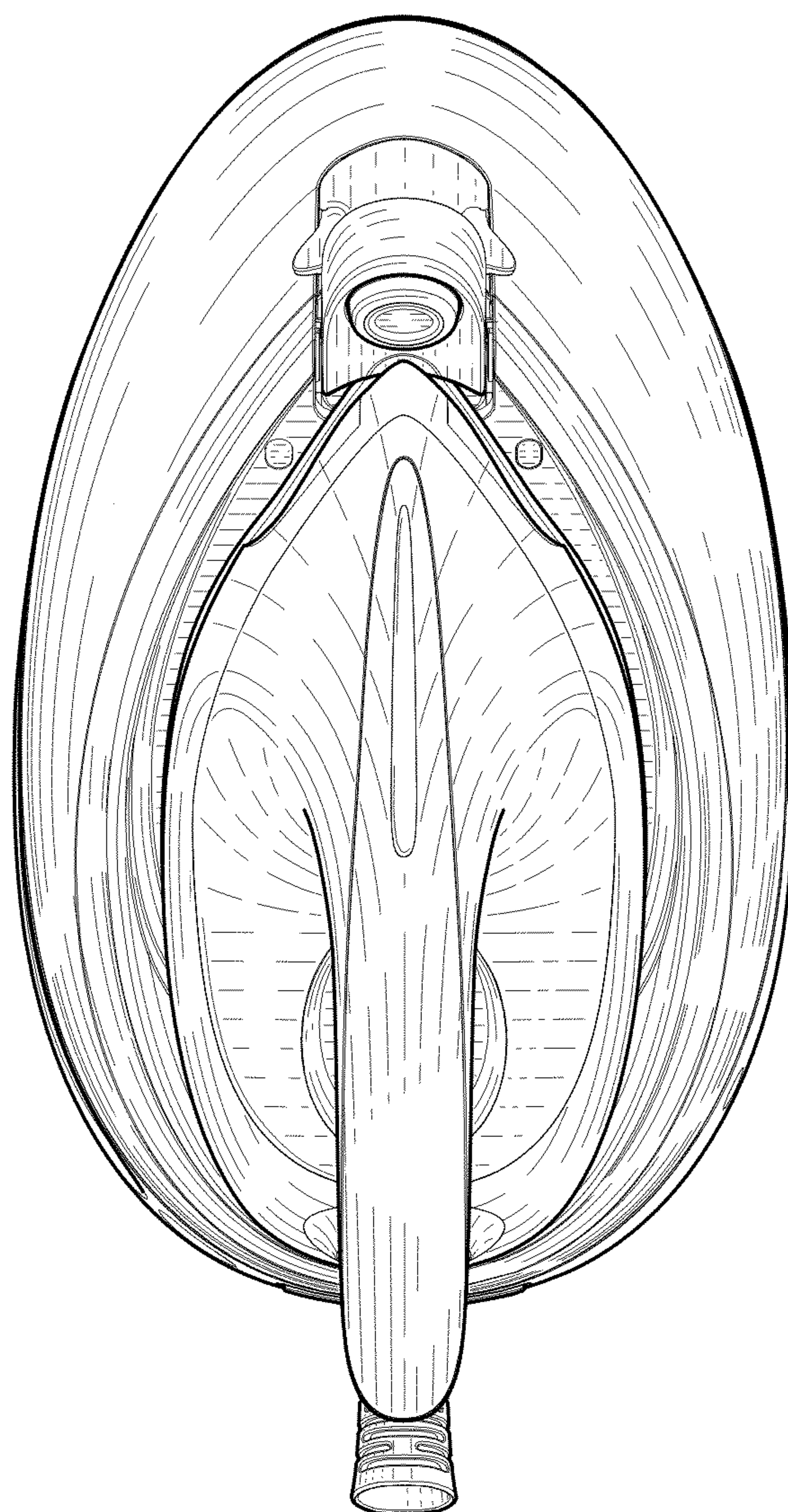


FIG. 6

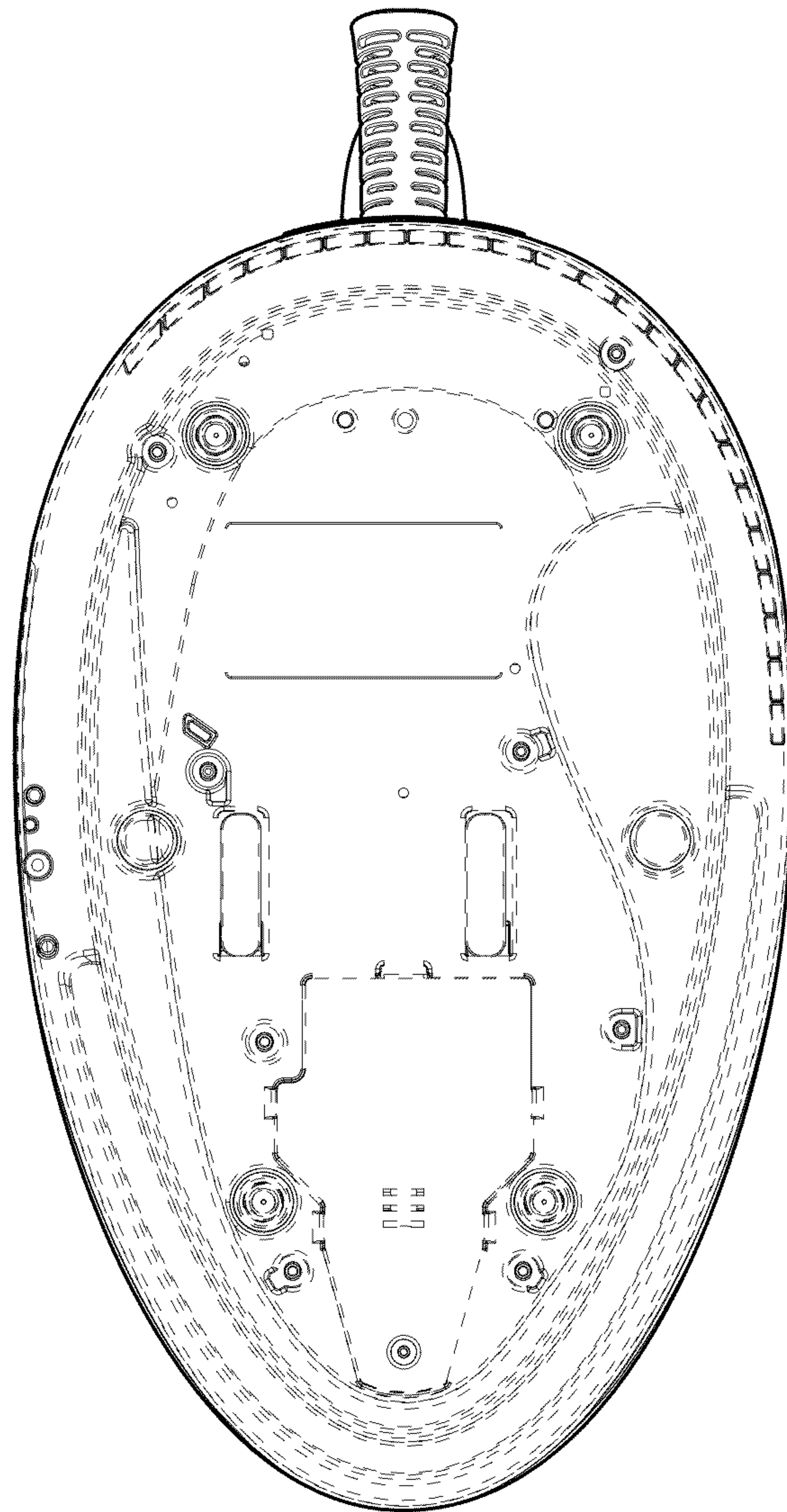


FIG. 7