



US00D738058S

(12) **United States Design Patent**  
**La Rovere et al.**

(10) **Patent No.:** **US D738,058 S**  
(45) **Date of Patent:** **\*\* Sep. 1, 2015**

(54) **IRON WITH STEAM GENERATOR**

(56) **References Cited**

(71) Applicant: **KONINKLIJKE PHILIPS N.V.**,  
Eindhoven (NL)  
(72) Inventors: **Massimiliano La Rovere**, Singapore  
(SG); **Peter Jonathan Smith**,  
Amsterdam (NL)  
(73) Assignee: **KONINKLIJKE PHILIPS N.V.**,  
Eindhoven (NL)  
(\*\*) Term: **14 Years**  
(21) Appl. No.: **29/471,513**  
(22) Filed: **Nov. 1, 2013**

U.S. PATENT DOCUMENTS

D316,768 S *	5/1991	Komar .....	D32/73
D439,023 S *	3/2001	Powell .....	D32/73
D452,354 S *	12/2001	Hsu .....	D32/70
D463,641 S *	9/2002	Powell .....	D32/71
D470,637 S *	2/2003	Berthier .....	D32/73
D548,418 S *	8/2007	Cahen .....	D32/70
D564,166 S *	3/2008	Yang .....	D32/73
D575,019 S *	8/2008	Choi .....	D32/68
D576,369 S *	9/2008	Choi .....	D32/68
D581,620 S *	11/2008	Chu .....	D32/68
D660,538 S *	5/2012	Smith .....	D32/71
D667,600 S *	9/2012	Smith .....	D32/70
D701,362 S *	3/2014	Smith .....	D32/70

\* cited by examiner

*Primary Examiner* — Austin Murphy

(30) **Foreign Application Priority Data**

May 2, 2013 (EM) ..... 002231514-0003

(51) **LOC (10) Cl.** ..... **07-05**

(52) **U.S. Cl.**  
USPC ..... **D32/70**

(58) **Field of Classification Search**  
USPC ..... D32/73, 72, 71, 70, 69, 68, 35;  
392/404; 38/97, 96, 93, 88, 77.9,  
38/77.83, 77.82, 77.81, 77.8, 77.7, 77.6,  
38/77.5, 77.3, 77.1; 219/251, 245  
CPC ..... D06F 75/34; D06F 75/08; D06F 75/38;  
D06F 75/00; F22B 27/14; B08B 3/006  
See application file for complete search history.

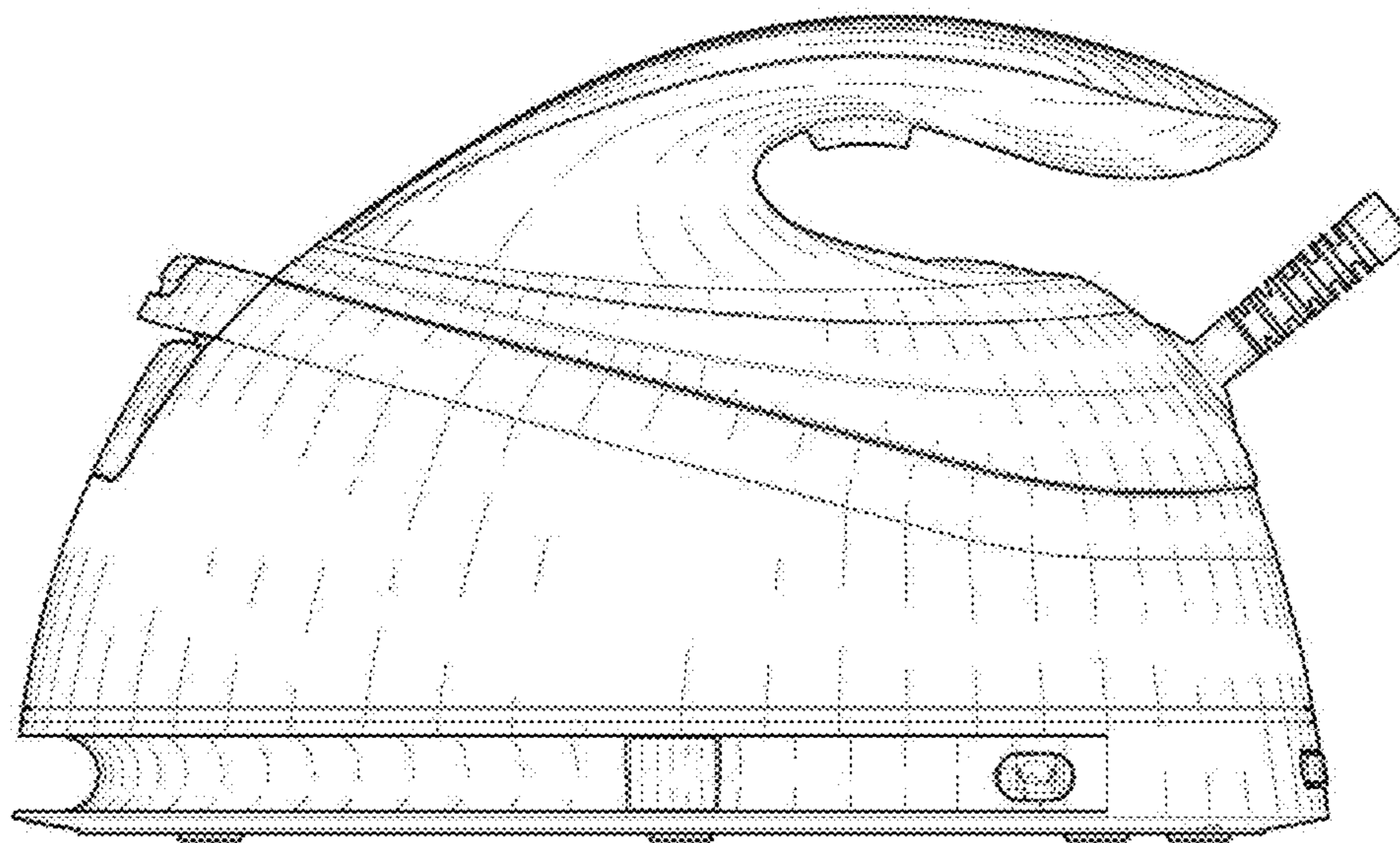
(57) **CLAIM**

The ornamental design for a iron with steam generator, as shown.

**DESCRIPTION**

FIG. 1 is a perspective view showing my design;  
FIG. 2 is a front elevational view thereof;  
FIG. 3 is a rear elevational view thereof;  
FIG. 4 is a right side elevational view thereof;  
FIG. 5 is a left side elevational view thereof;  
FIG. 6 is a top plan view thereof; and,  
FIG. 7 is a bottom plan view thereof.

**1 Claim, 5 Drawing Sheets**



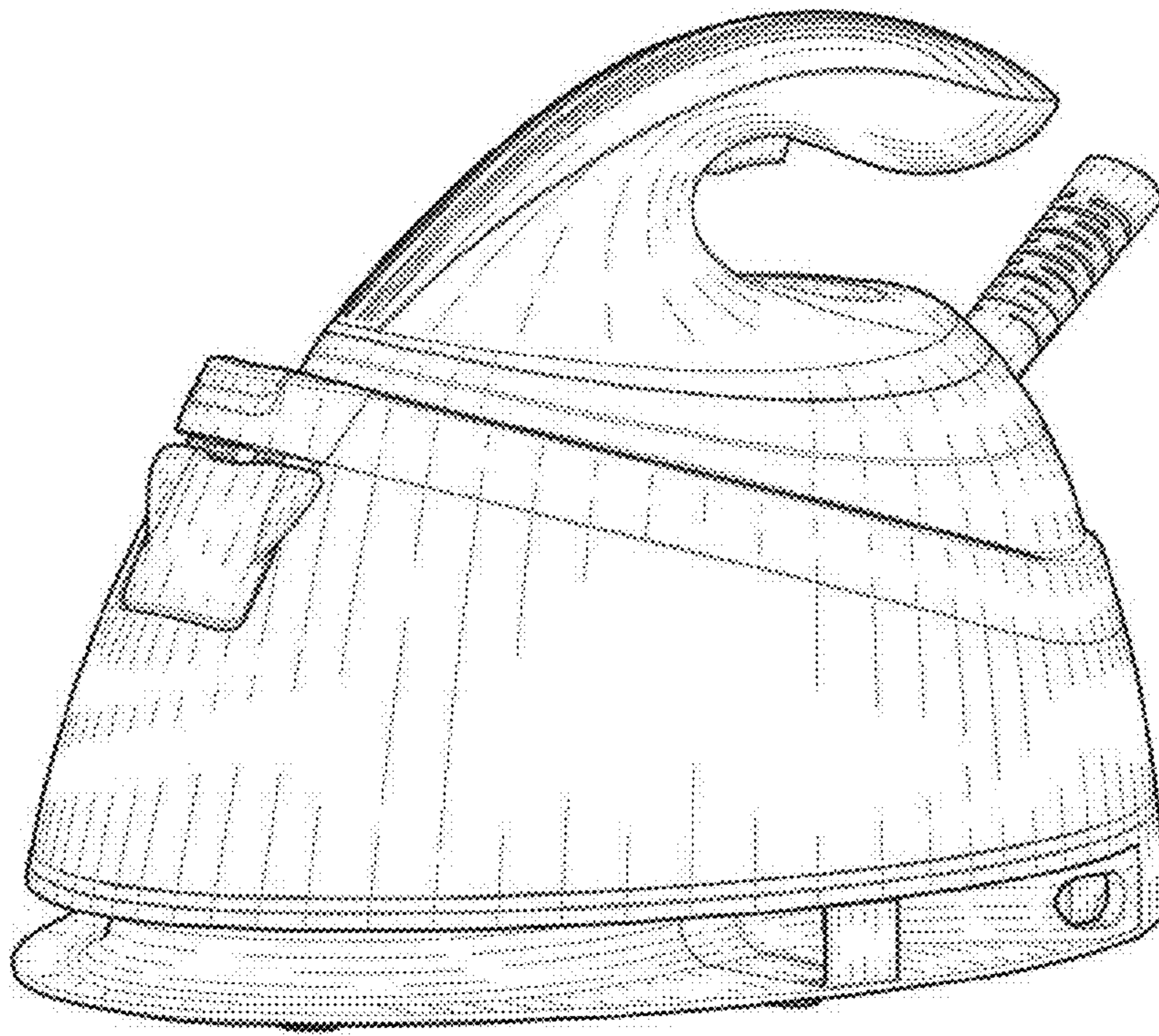


FIG. 1

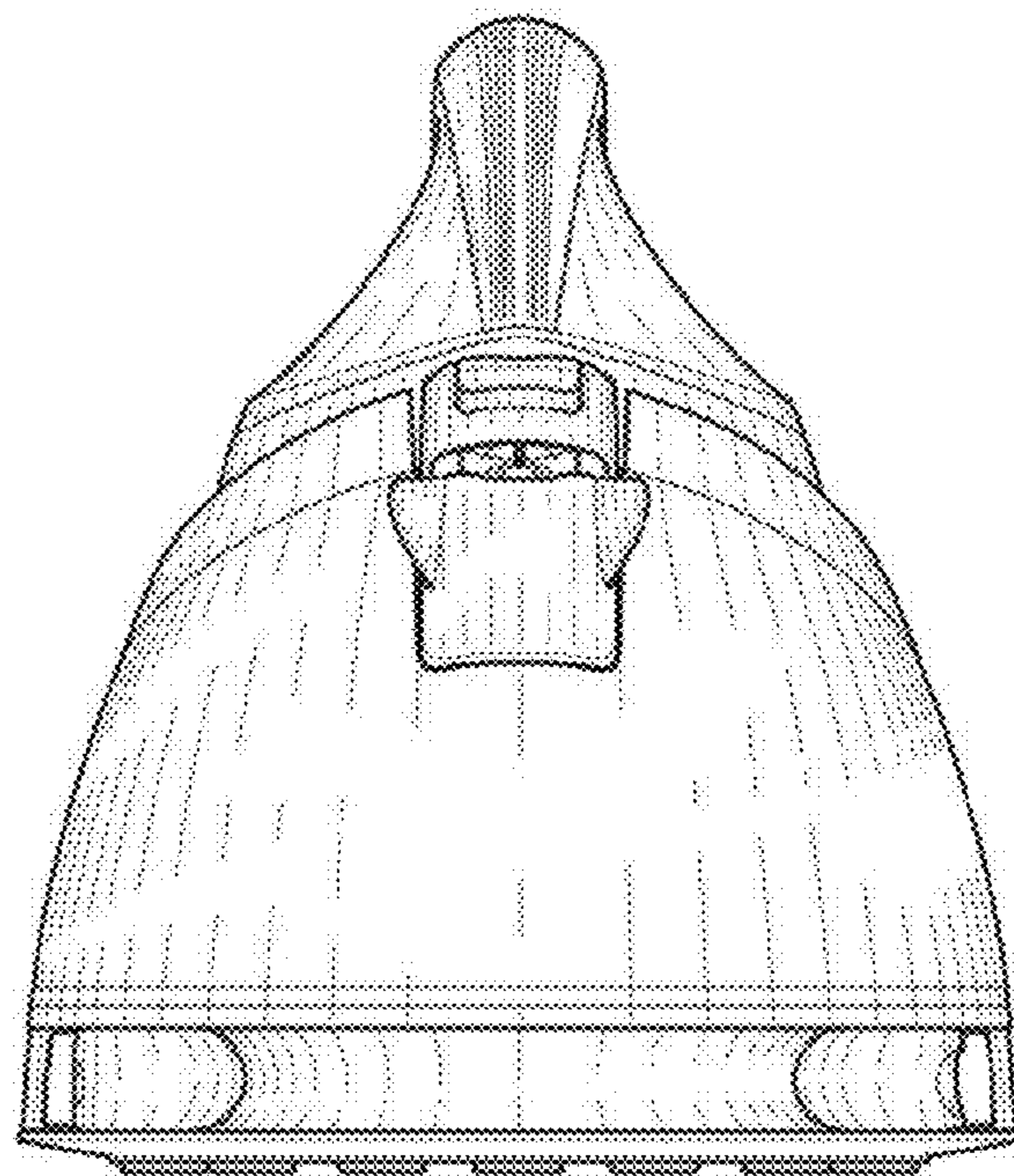


FIG. 2

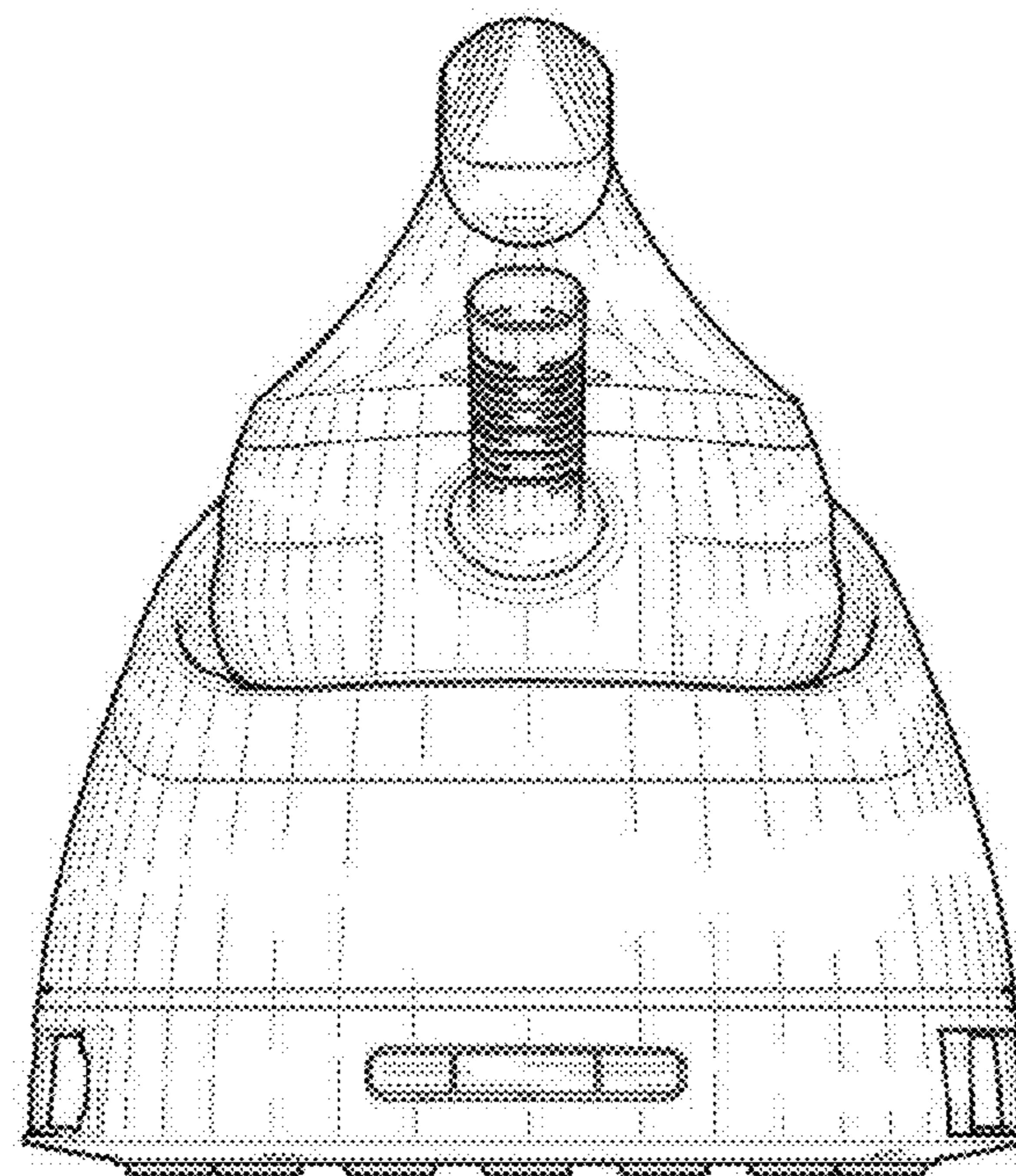


FIG. 3

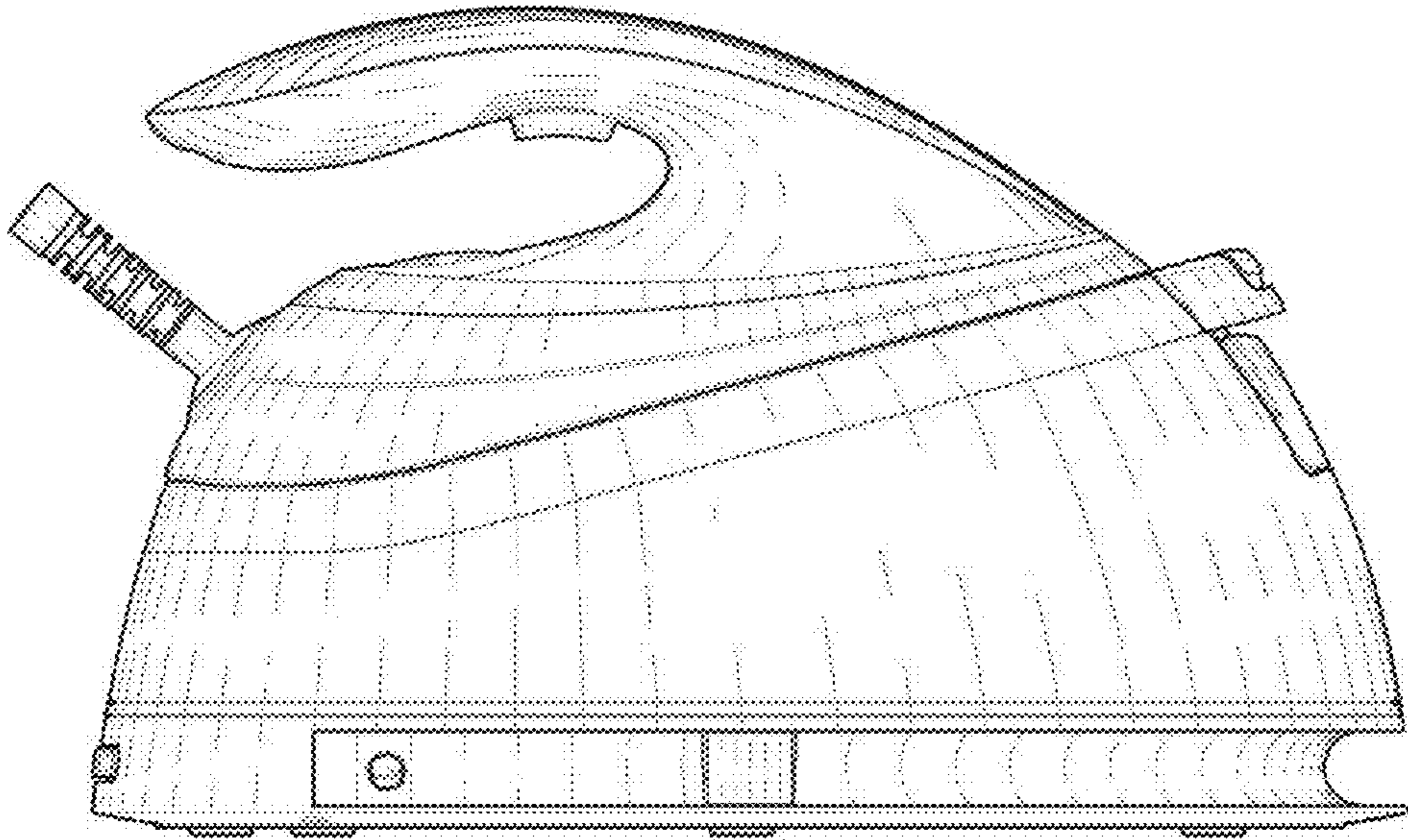


FIG. 4

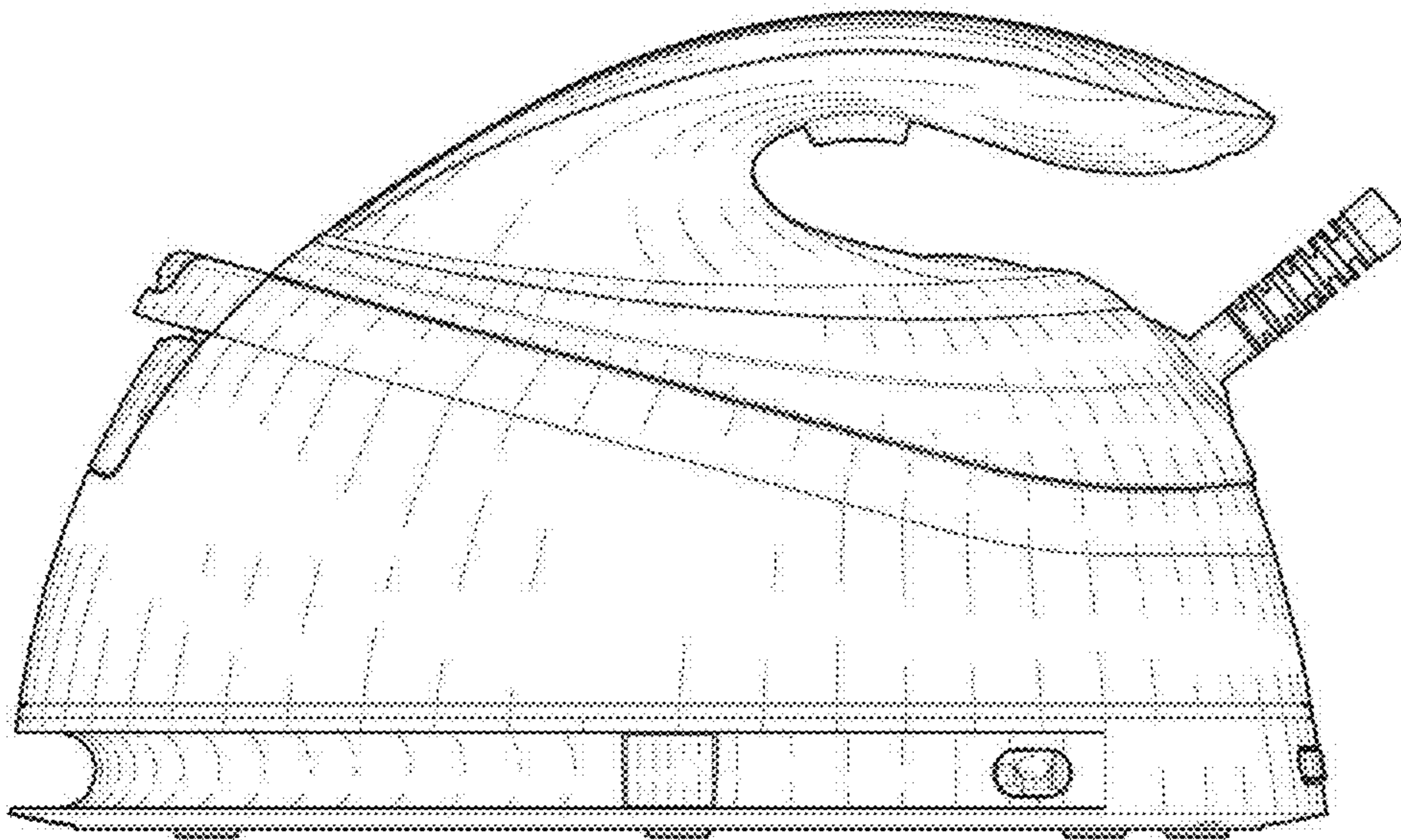


FIG. 5

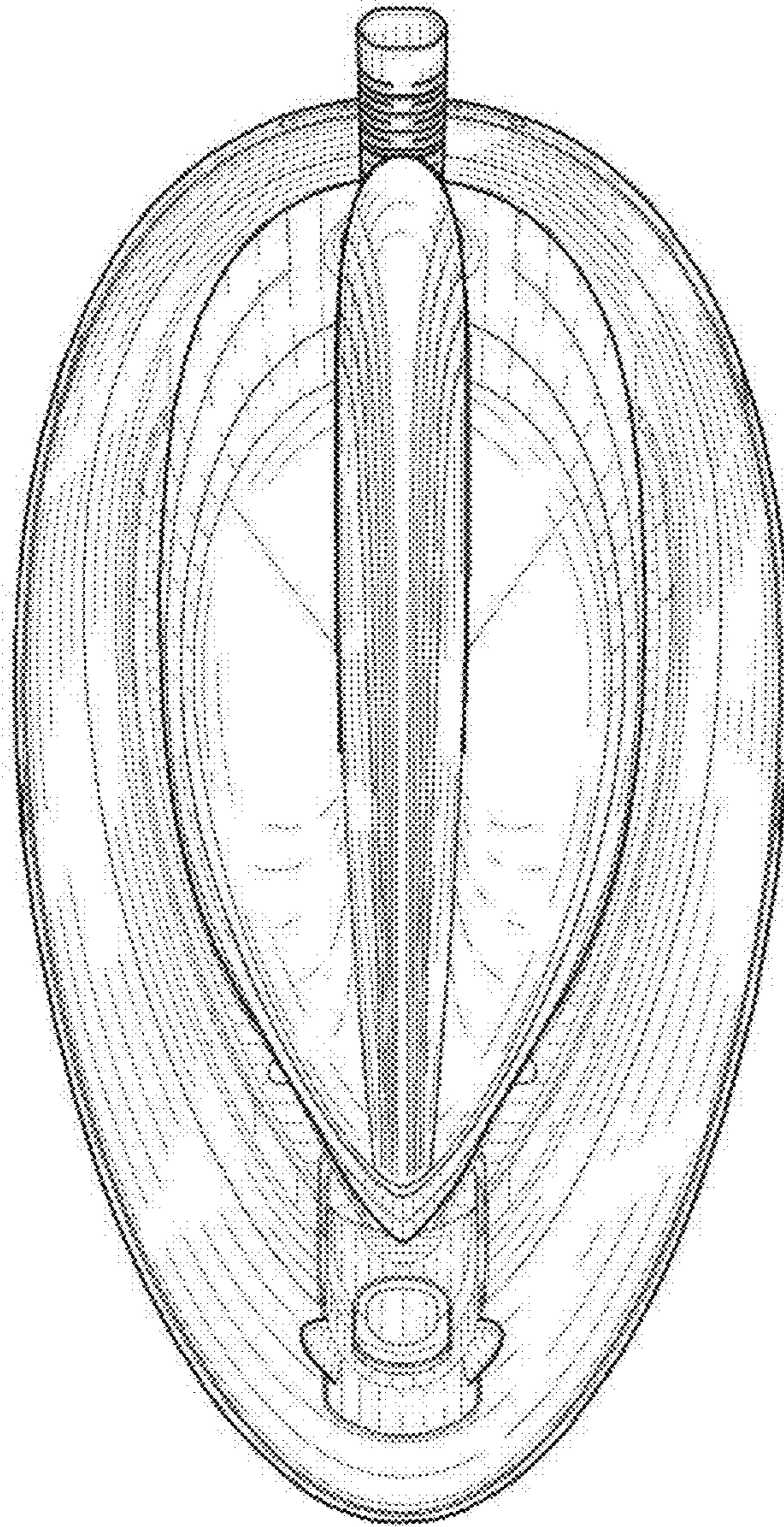


FIG. 6

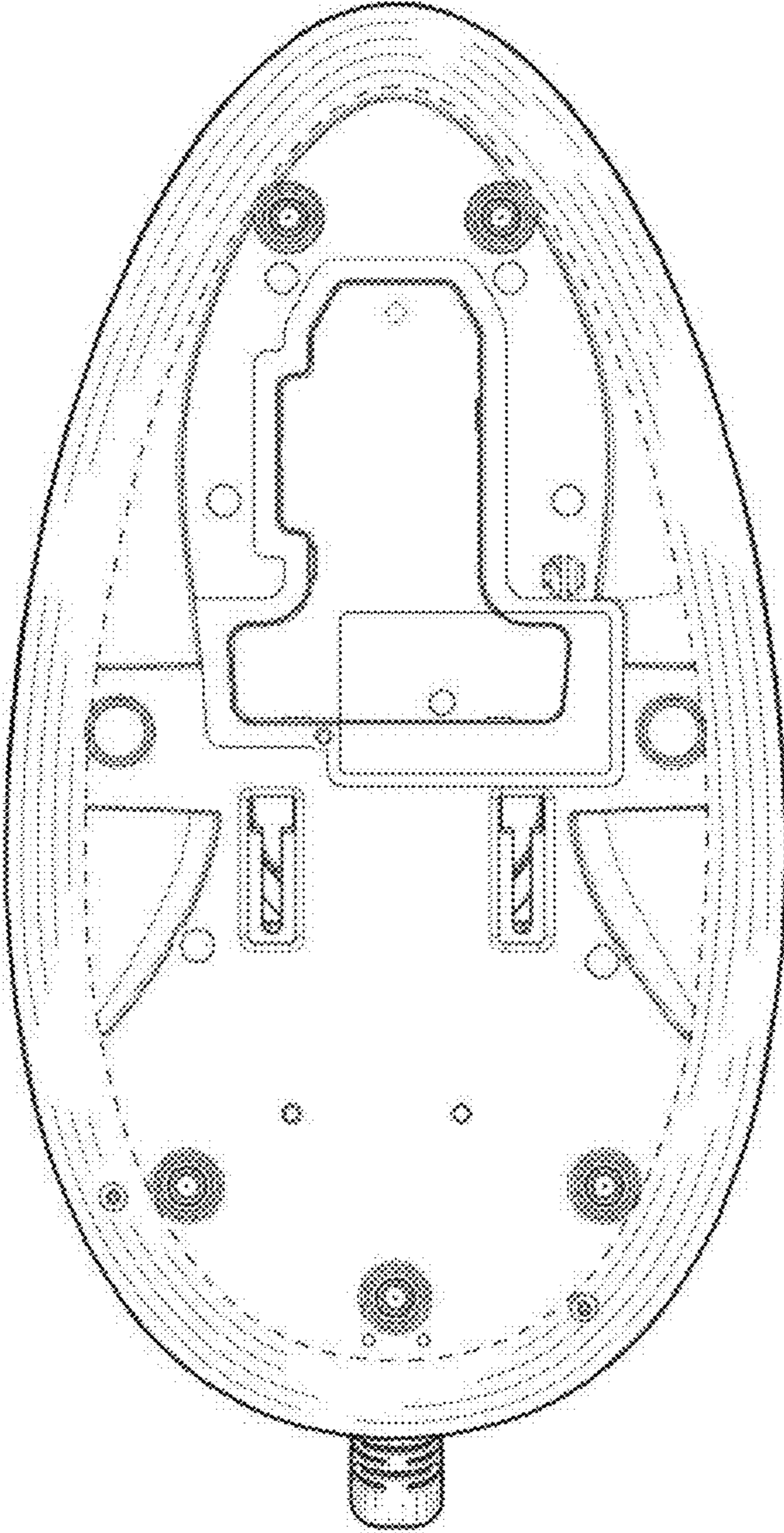


FIG. 7