



US00D738057S

(12) **United States Design Patent**
Arvinte et al.

(10) **Patent No.:** **US D738,057 S**

(45) **Date of Patent:** **** Sep. 1, 2015**

(54) **PAINT PAIL**

(74) *Attorney, Agent, or Firm* — Merchant & Gould P.C.

(71) Applicant: **A. RICHARD TOOLS CO./OUTILS**
A. RICHARD, Berthierville (CA)

(57) **CLAIM**

The ornamental design for a paint pail, as shown and described.

(72) Inventors: **Romeo Arvinte**, Laval-des-Rapides (CA); **Francois Panfli**, Berthierville (CA)

DESCRIPTION

(73) Assignee: **A. Richard Tools Co./Outils A. Richard Co.**, Berthierville, Quebec (CA)

FIG. 1 is a top perspective exploded view of a first embodiment of a paint pail showing our new design;

(**) Term: **14 Years**

FIG. 2 is a top perspective view of the paint pail shown in FIG. 1 with the fastening strap inserted into the upper slit of the containment body;

(21) Appl. No.: **29/502,006**

FIG. 3 is a bottom perspective view thereof;

(22) Filed: **Sep. 10, 2014**

FIG. 4 is a bottom view thereof;

(51) **LOC (10) Cl.** **07-07**

FIG. 5 is a top view thereof;

(52) **U.S. Cl.**

FIG. 6 is a front view thereof;

USPC **D32/53.1**

FIG. 7 is rear view thereof;

(58) **Field of Classification Search**

FIG. 8 is a right side view thereof;

USPC D32/53, 53.1, 54, 74; 15/260–264, 15/119.1, 120.1, 257.1; D9/429; 220/904, 220/659, 770, 752, 753, 696

FIG. 9 is a left side view thereof;

CPC A47J 47/18; A47J 13/58; B65D 37/00
See application file for complete search history.

FIG. 10 is a right side view of the paint pail shown in FIG. 1 with the fastening strap in an operative configuration;

(56) **References Cited**

U.S. PATENT DOCUMENTS

D460,845 S *	7/2002	Bergman	D32/53.1
D483,917 S *	12/2003	Frantz	D32/53.1
6,991,829 B2 *	1/2006	Bergman	427/429
D549,913 S *	8/2007	Bergman	D32/53
D581,118 S *	11/2008	Bergman	D32/53.1
D678,638 S *	3/2013	Bergman et al.	D32/54

FIG. 11 is a left side view thereof;

FIG. 12 is a bottom perspective view thereof;

FIG. 13 is a top perspective view of the paint pail shown in FIG. 1 showing the containment body without a fastening strap;

FIG. 14 is a bottom perspective view thereof;

FIG. 15 is a front view thereof;

FIG. 16 is rear view thereof;

FIG. 17 is a right side view thereof;

FIG. 18 is a left side view thereof;

FIG. 19 is a top view thereof; and,

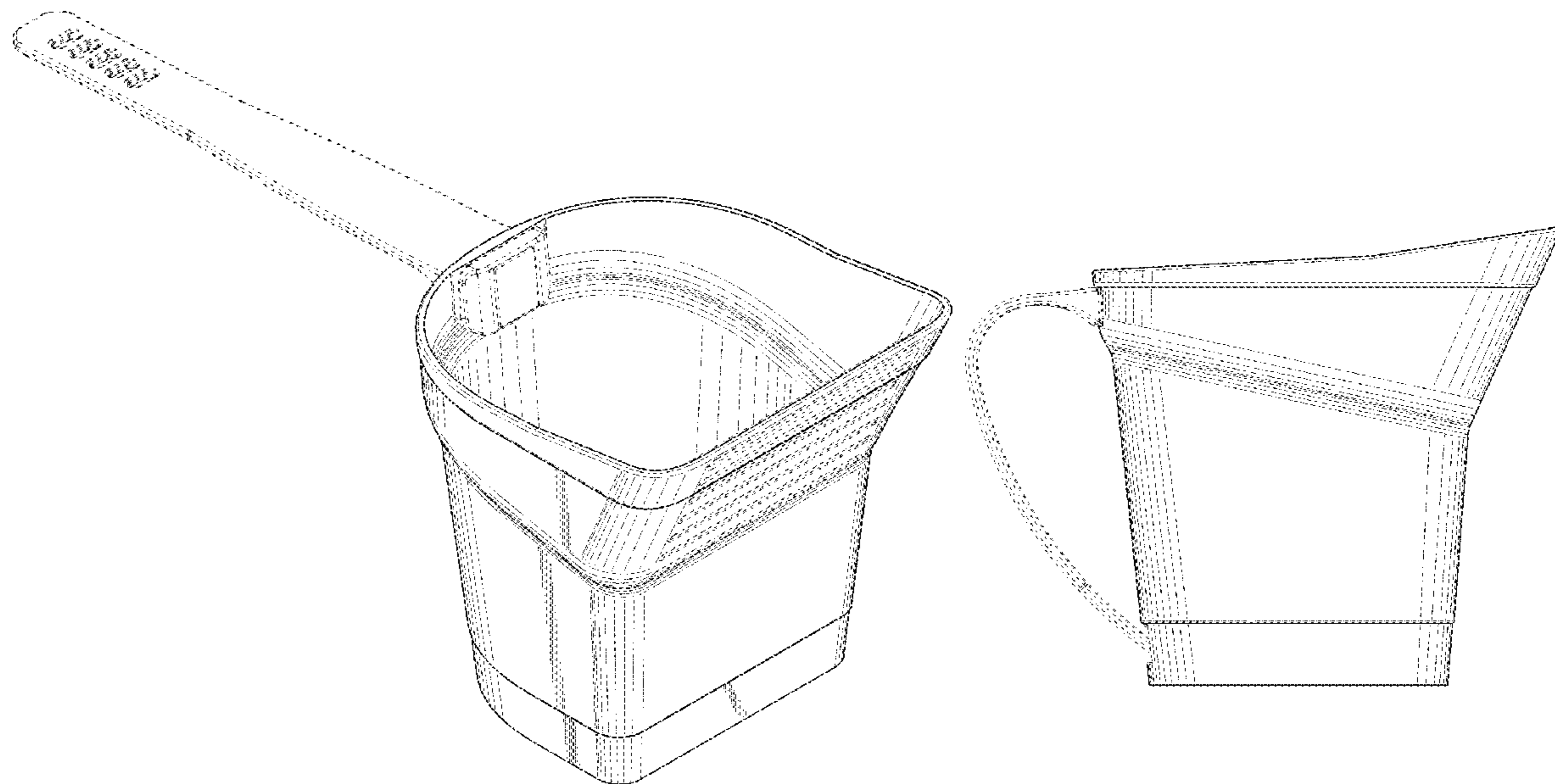
FIG. 20 is a bottom view thereof.

The portions shown in broken lines form no part of the claimed design.

* cited by examiner

Primary Examiner — Robin V Webster

1 Claim, 14 Drawing Sheets



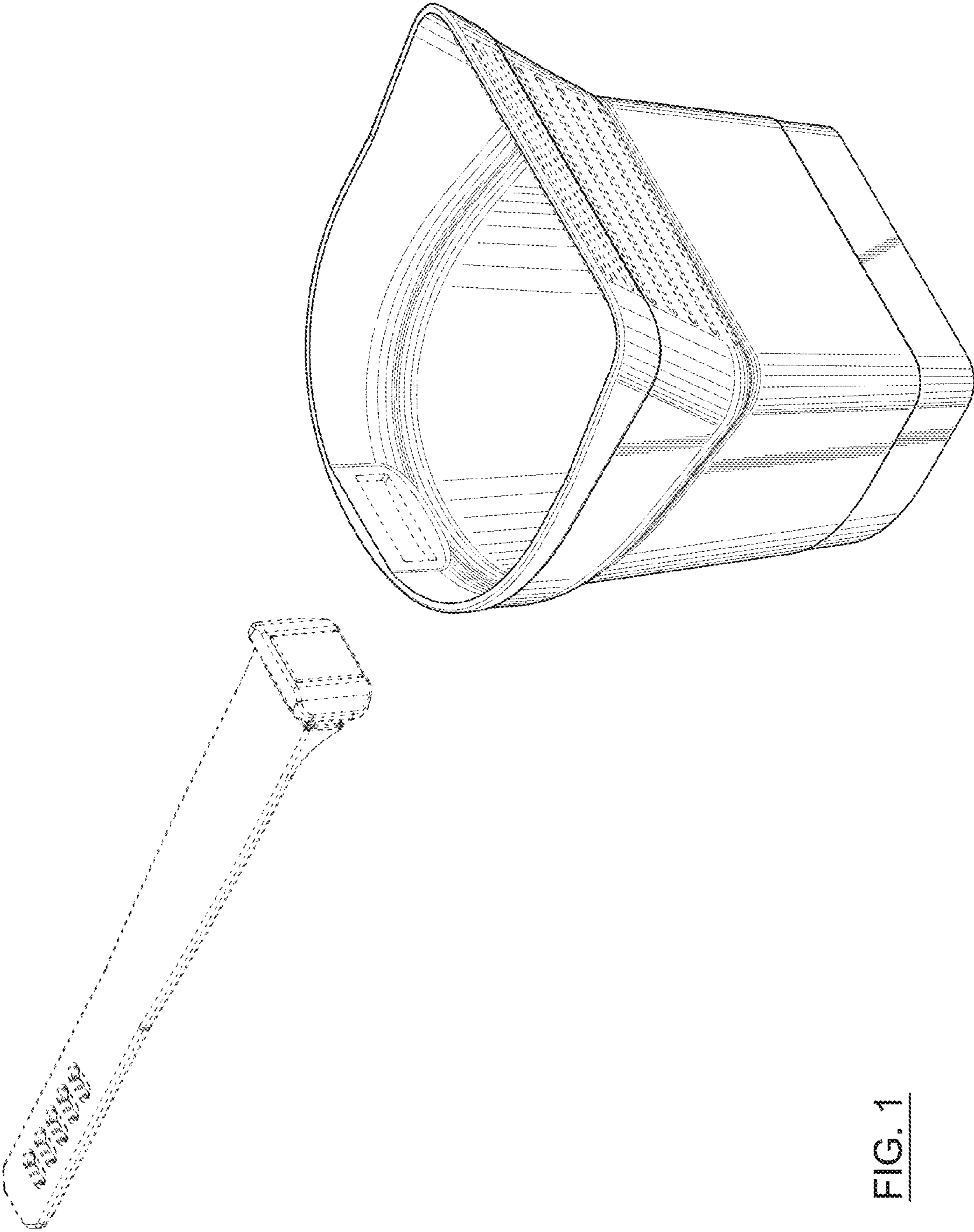


FIG. 1

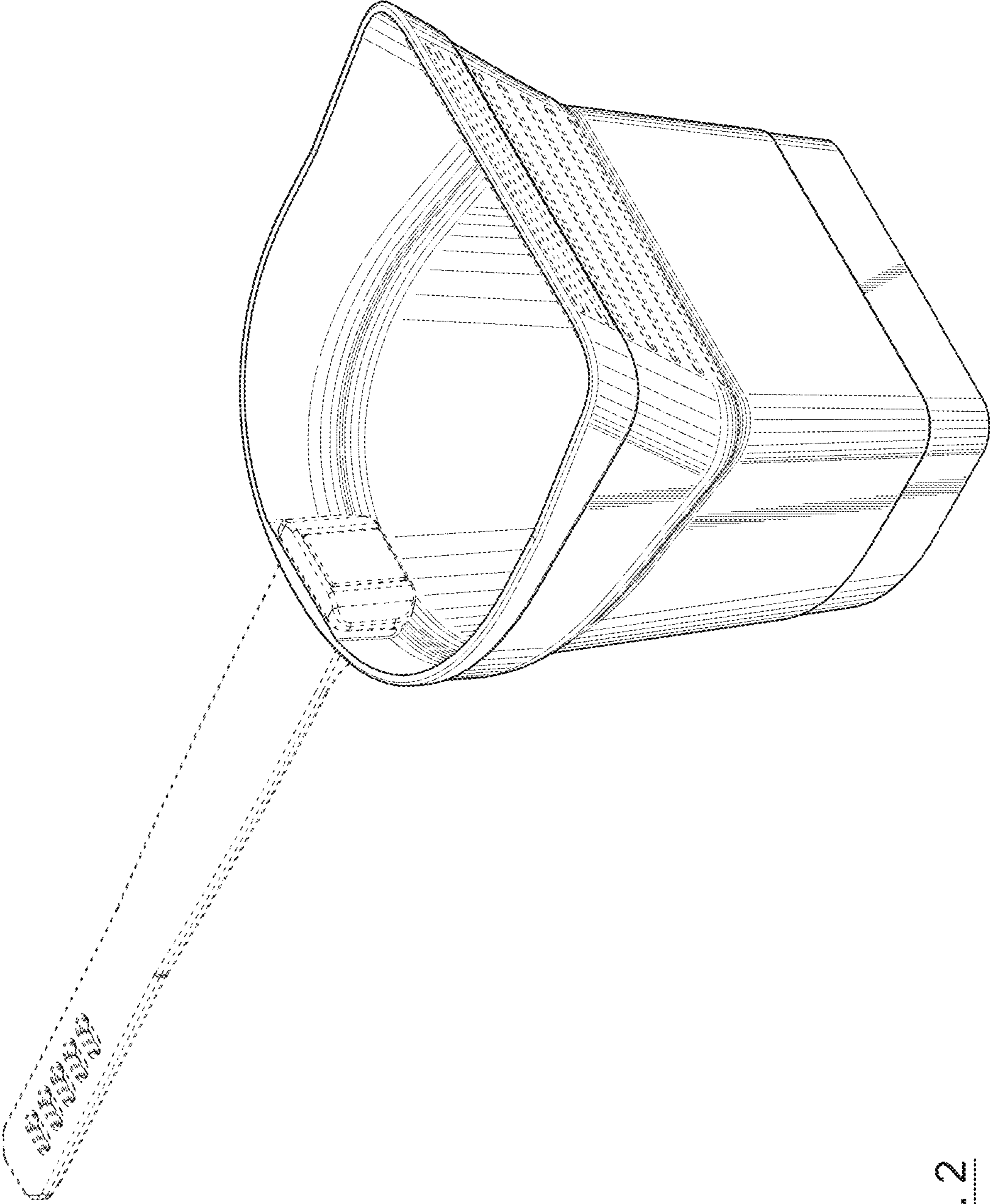


FIG. 2

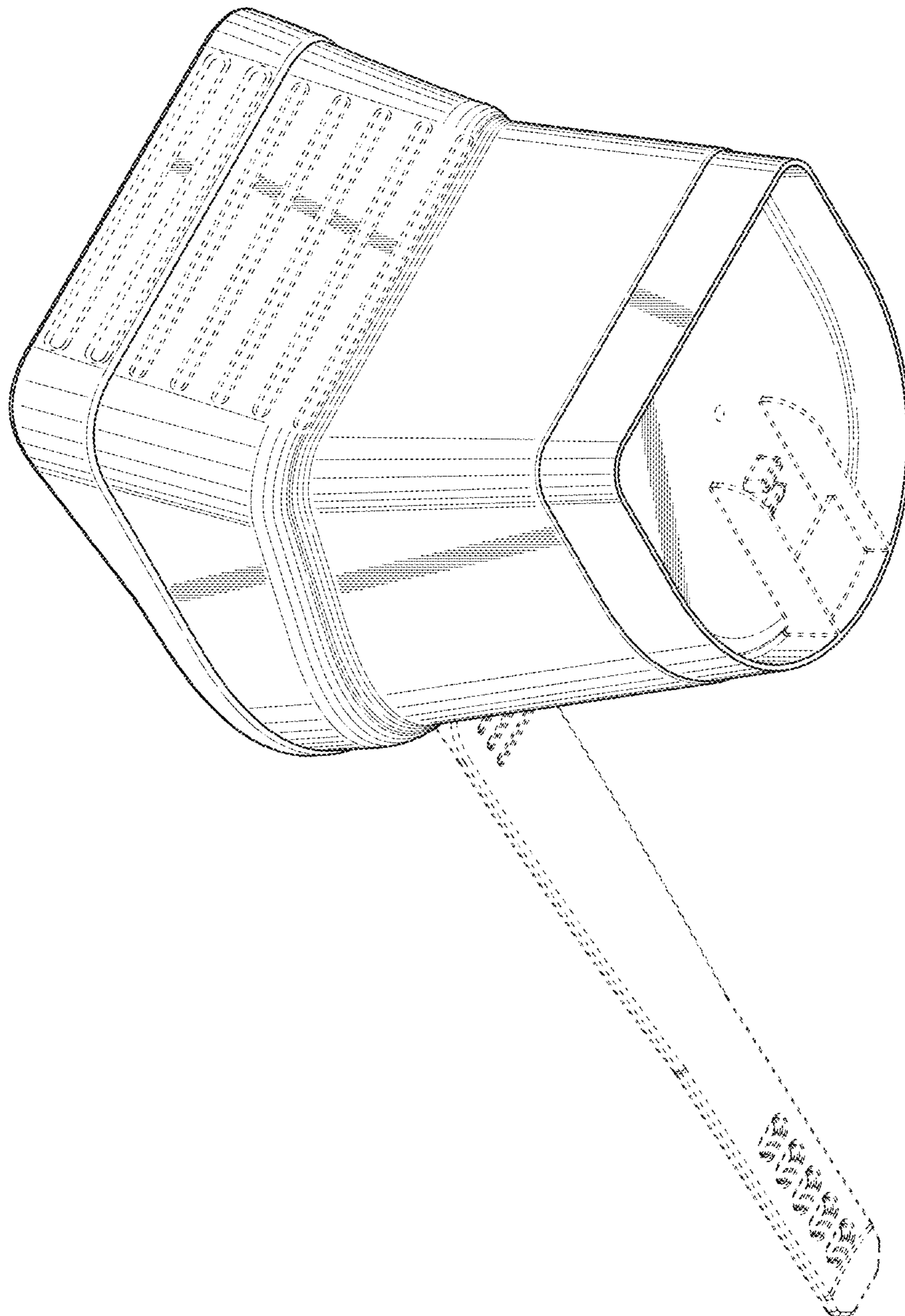


FIG. 3

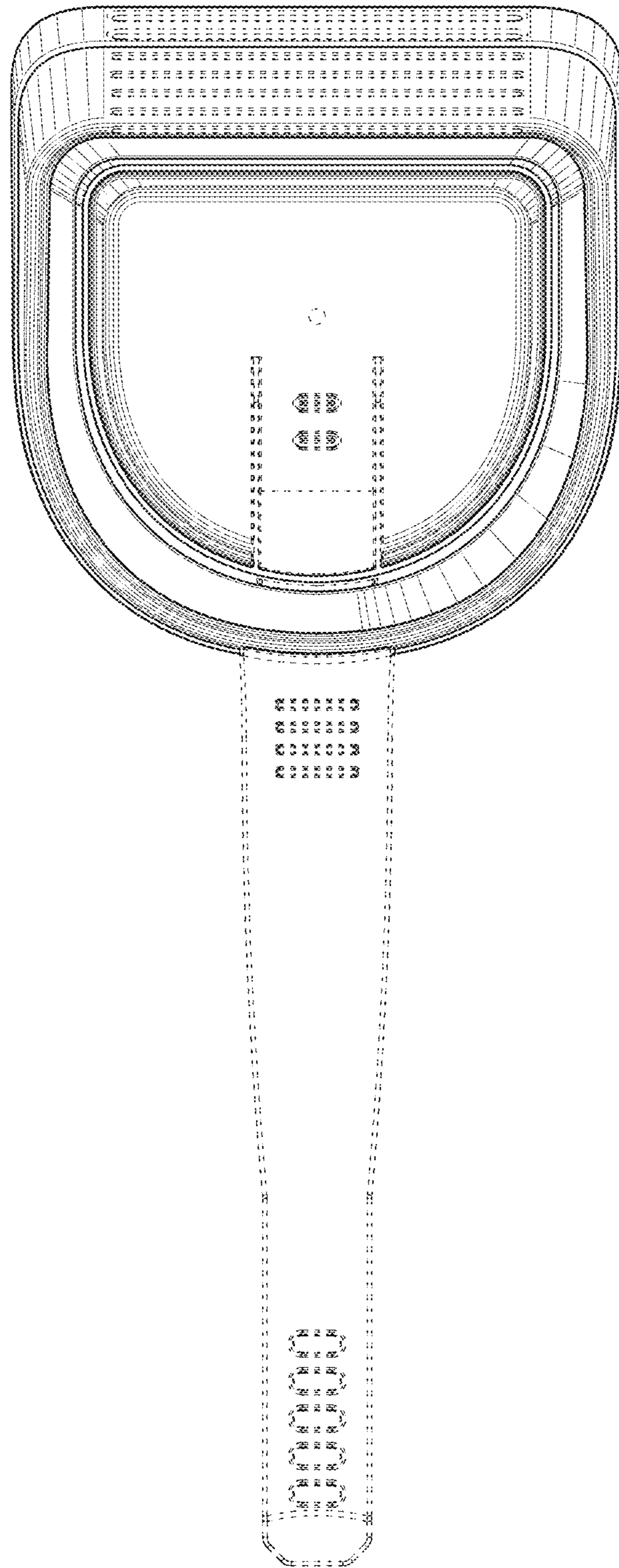


FIG. 4

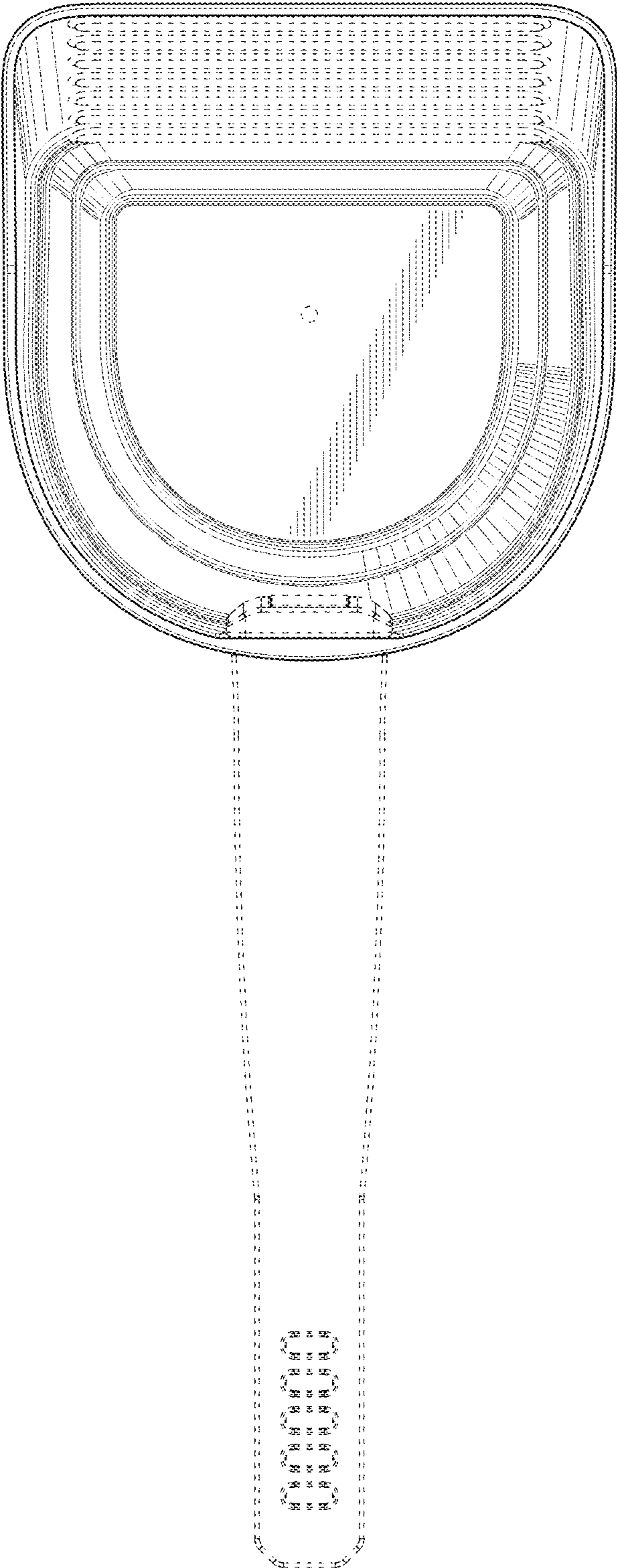


FIG. 5

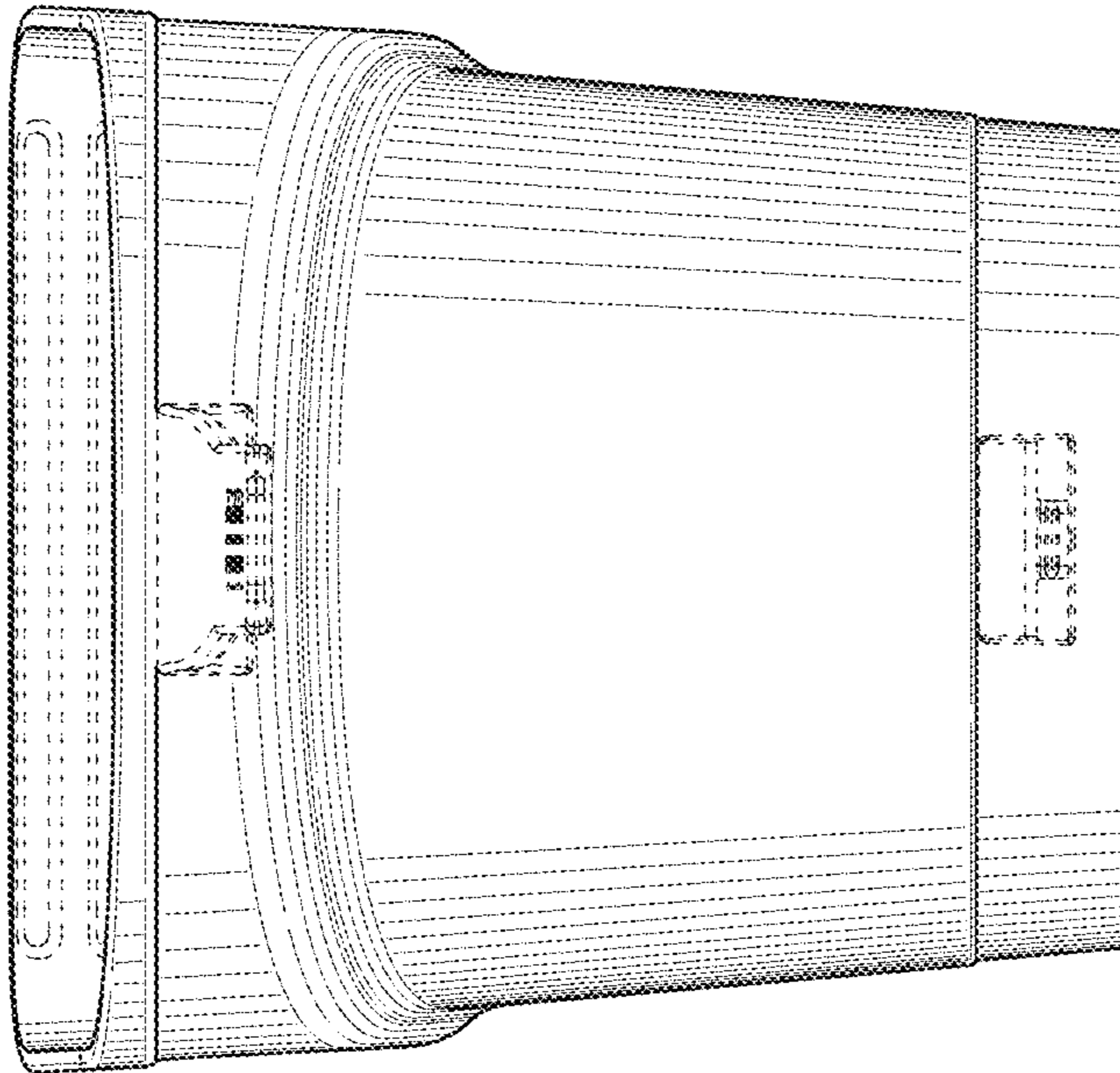


FIG. 6

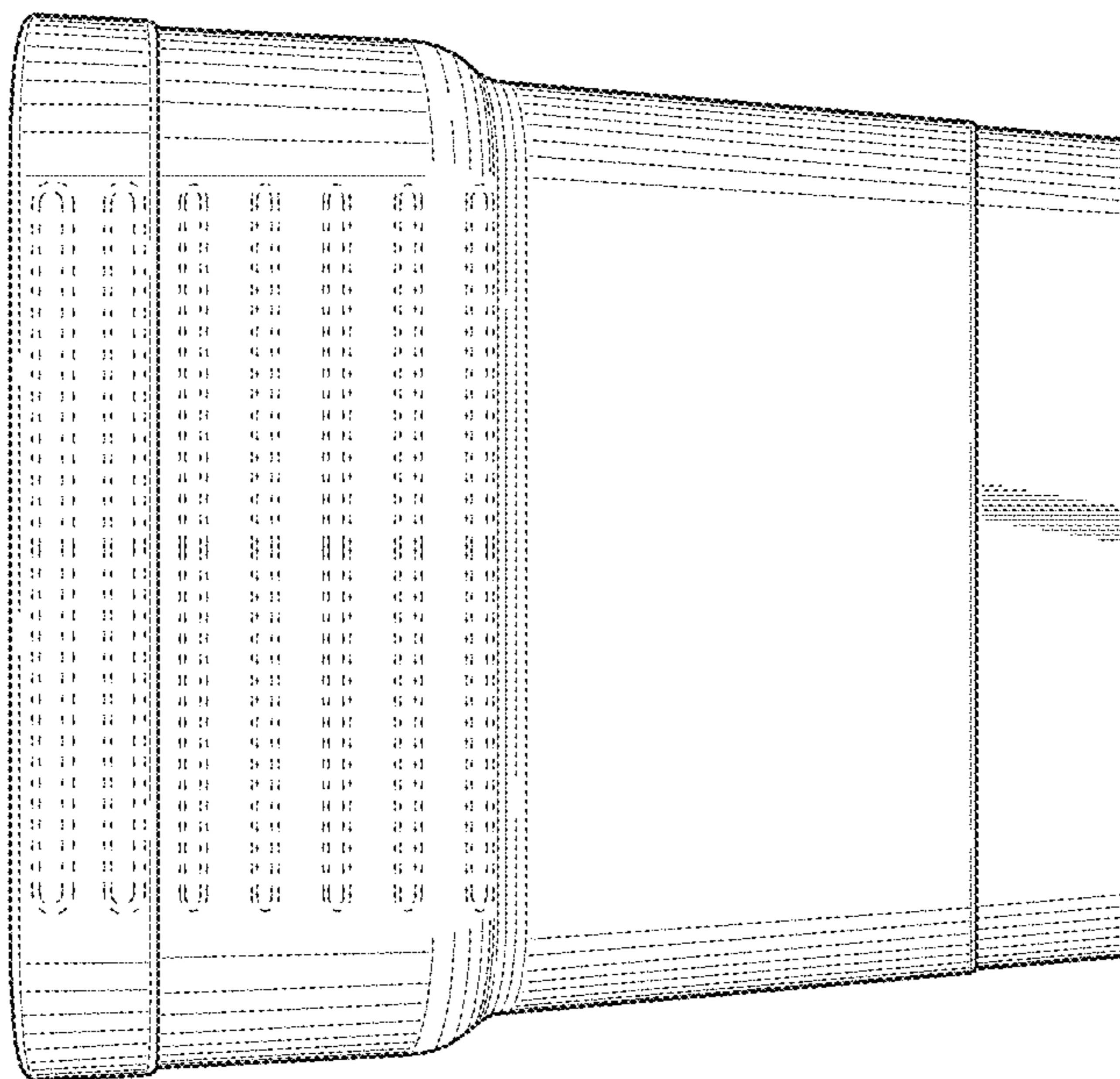


FIG. 7

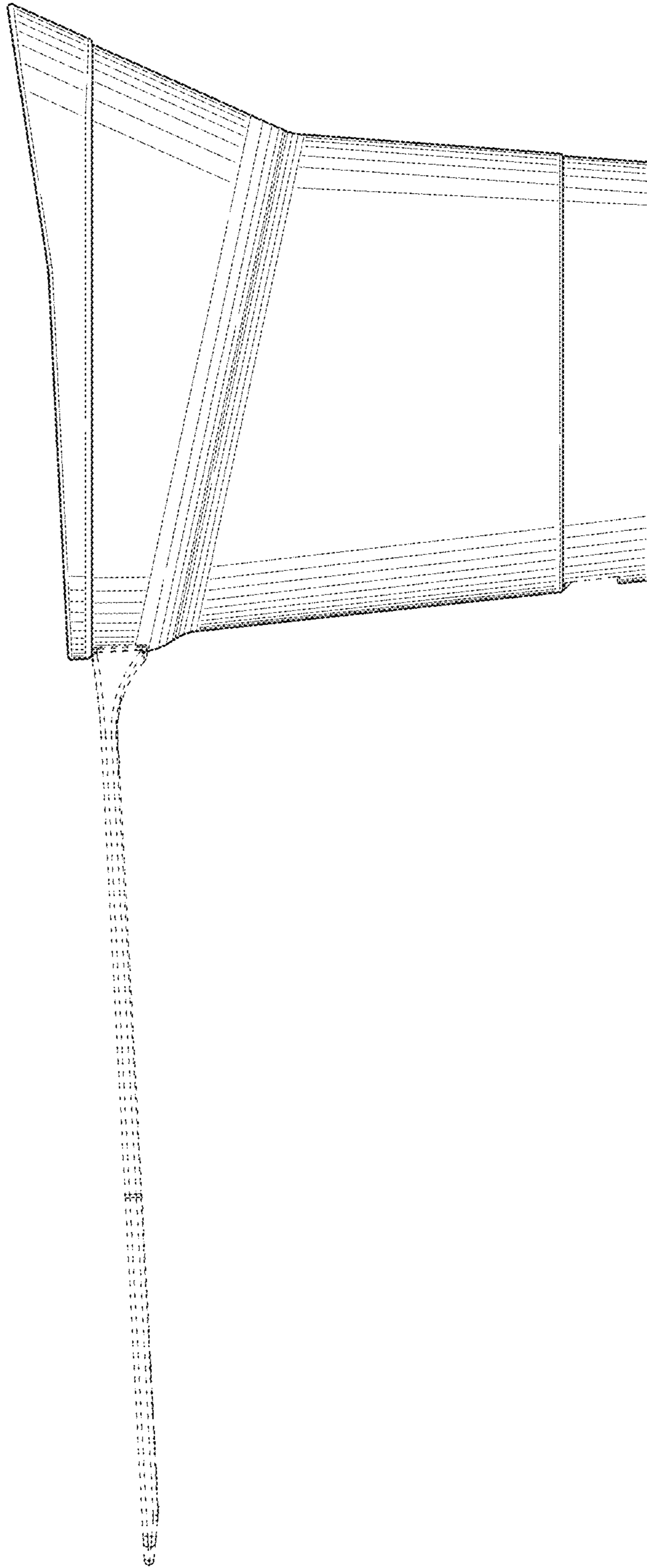


FIG. 8

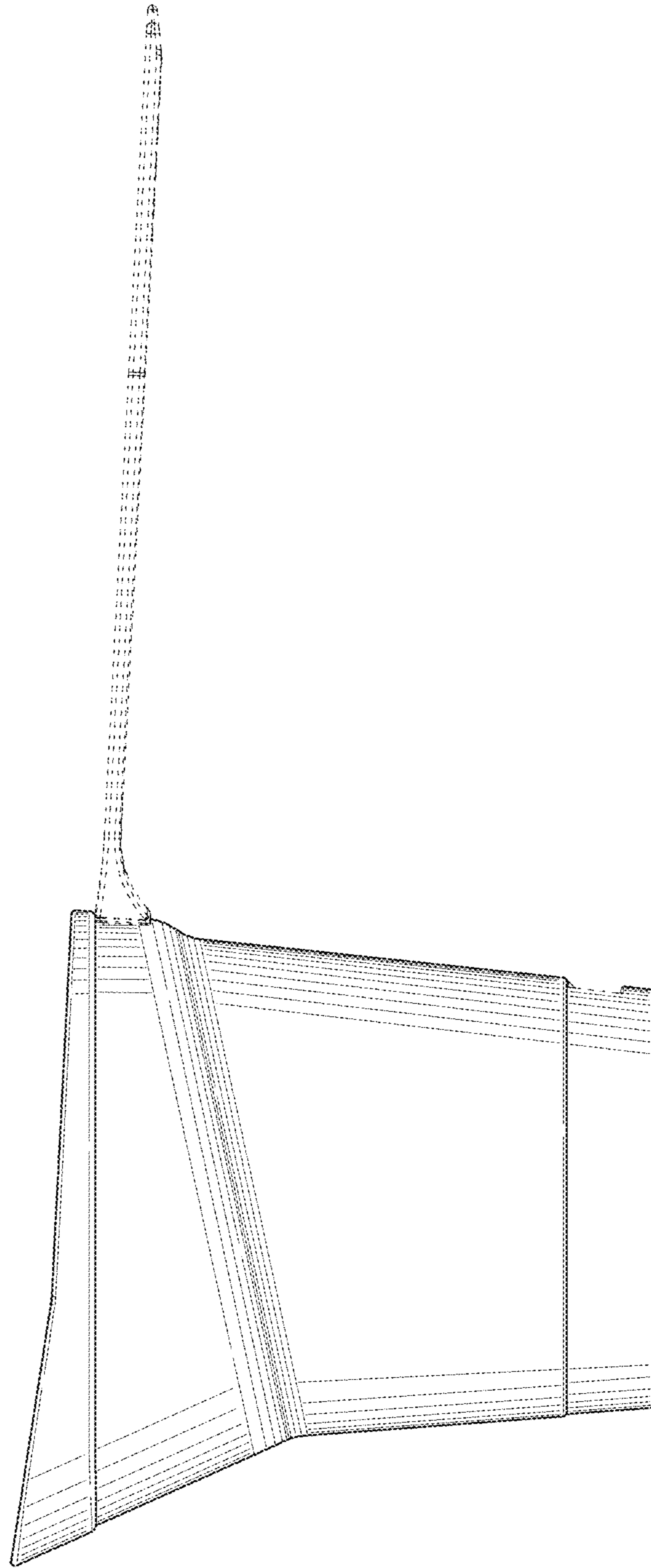


FIG. 9

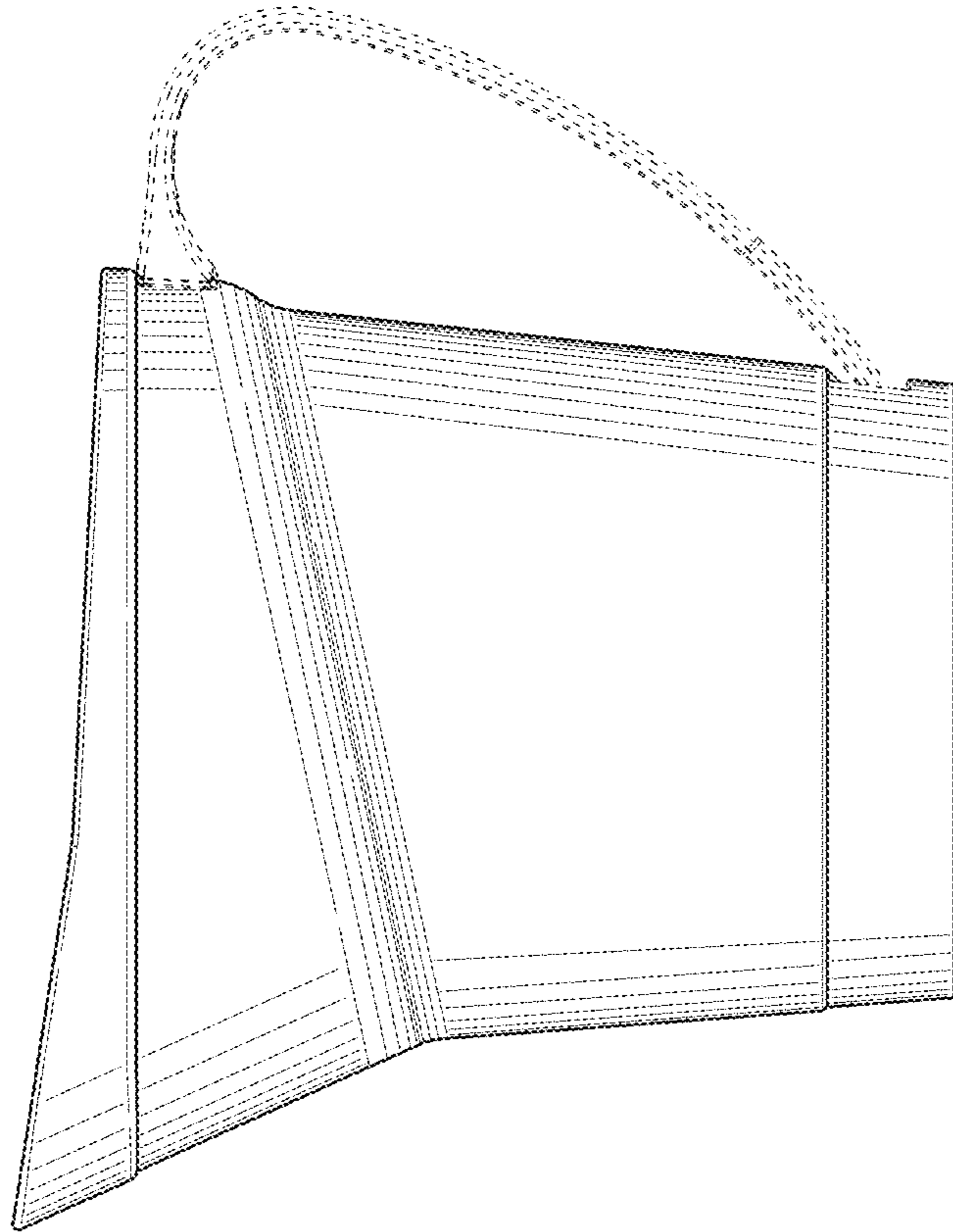


FIG. 11

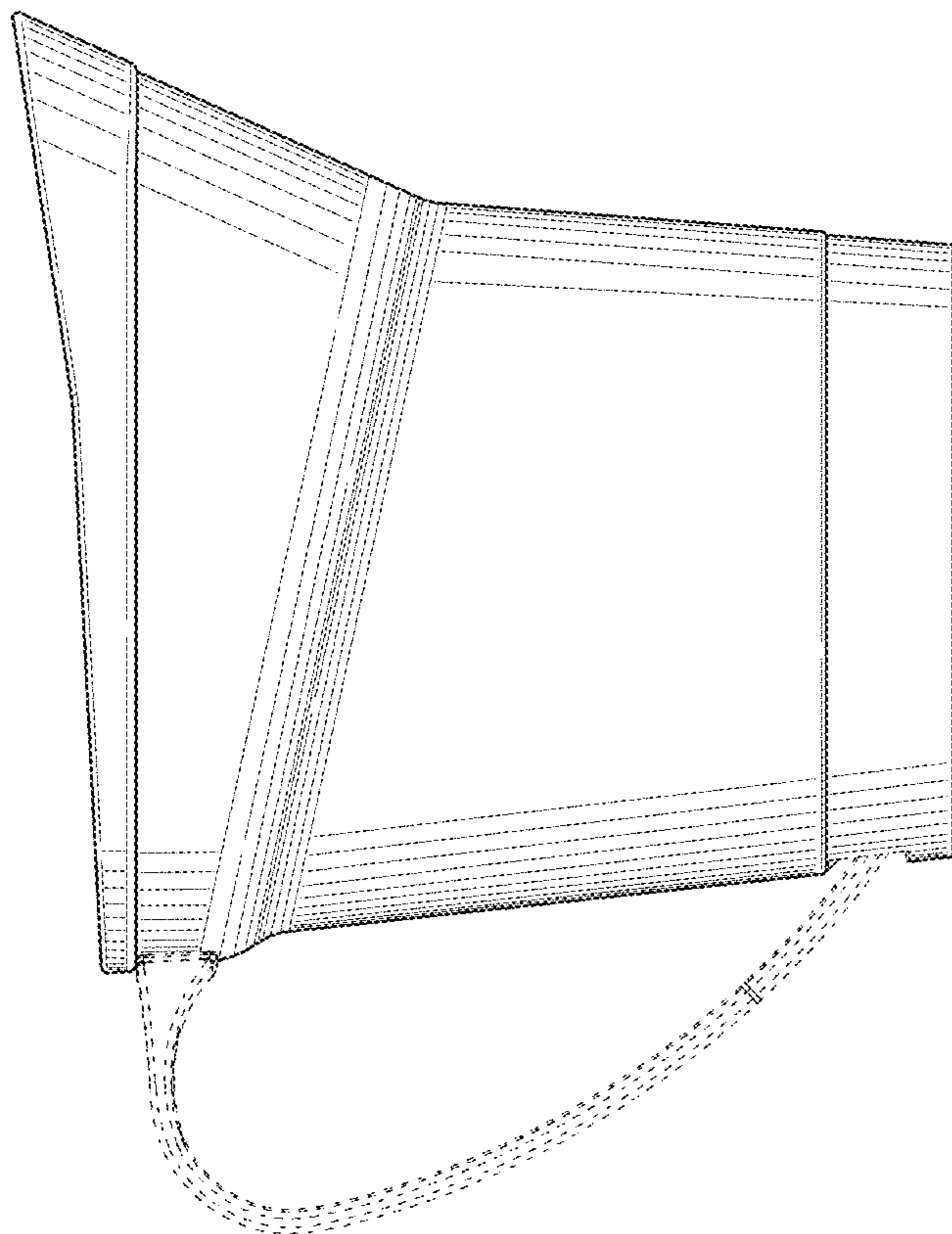


FIG. 10

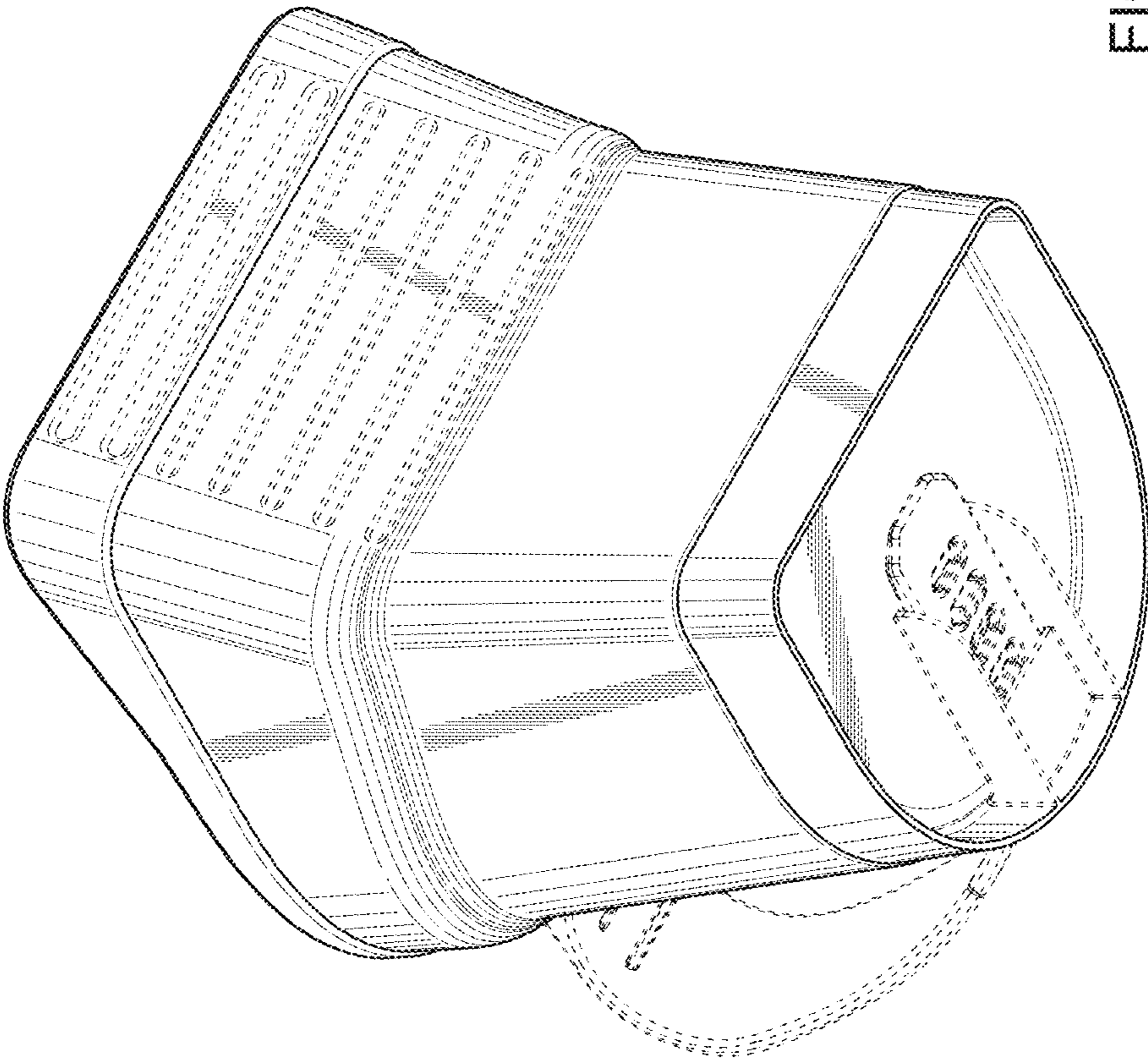


FIG. 12

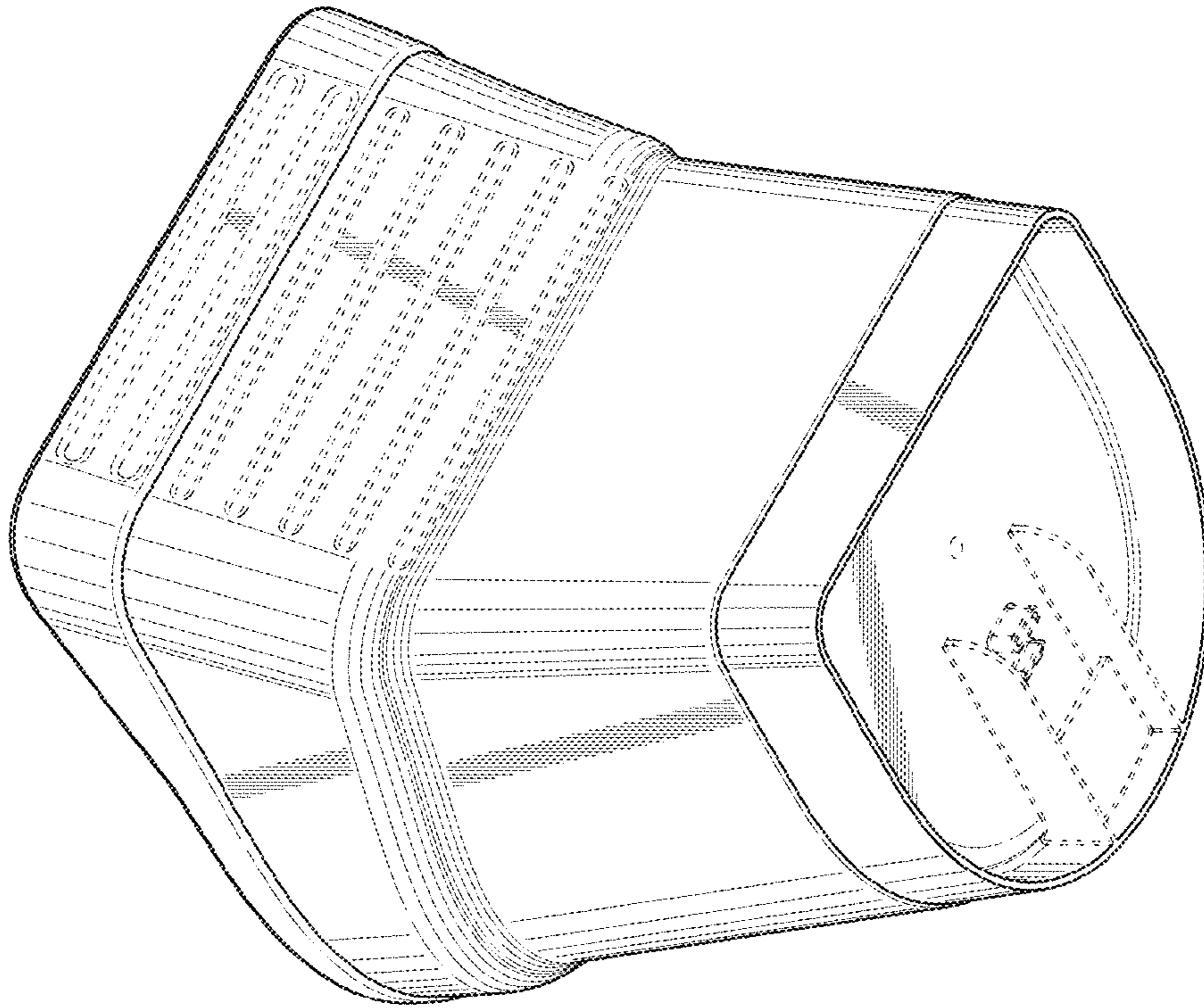


FIG. 14

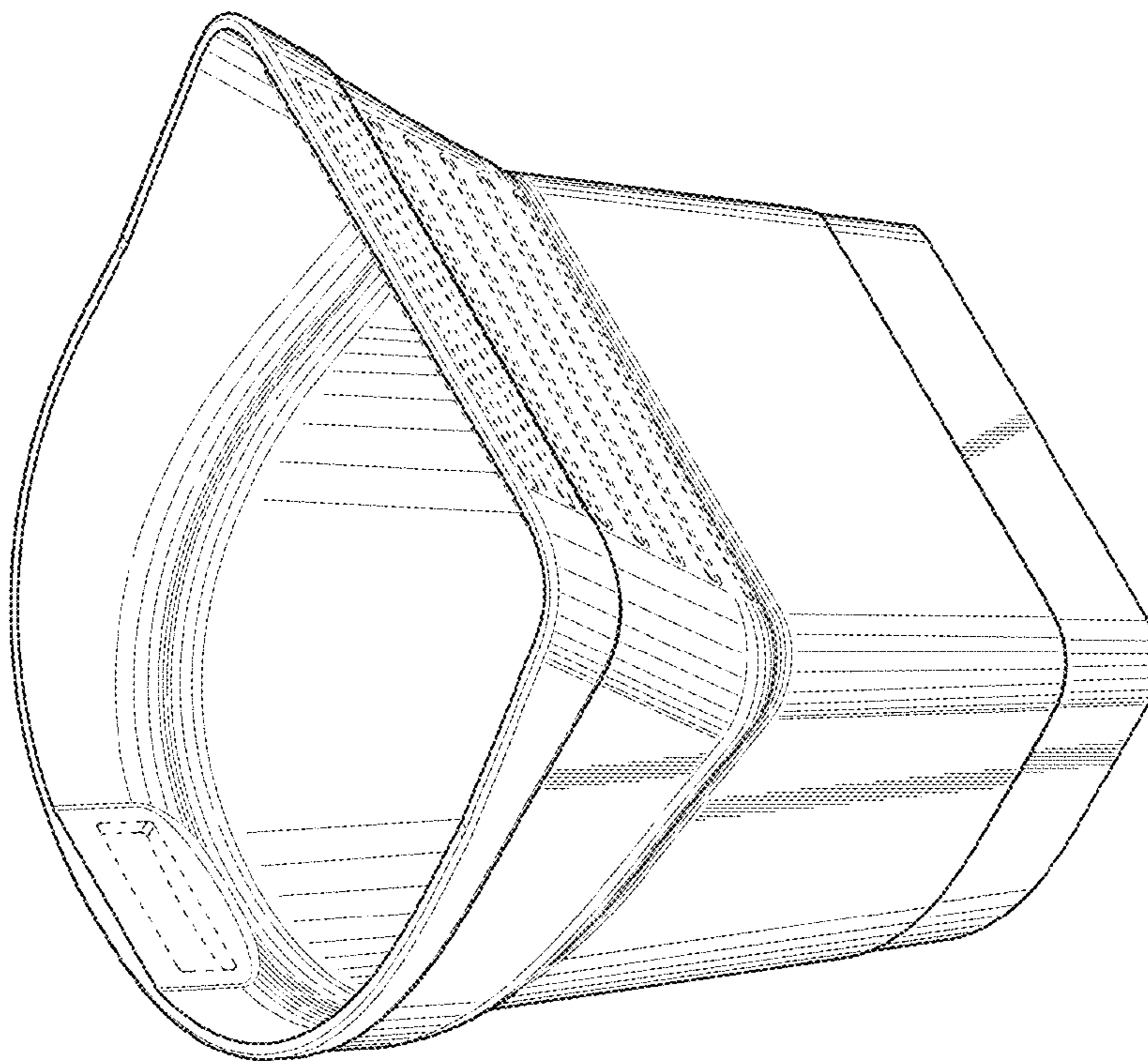


FIG. 13

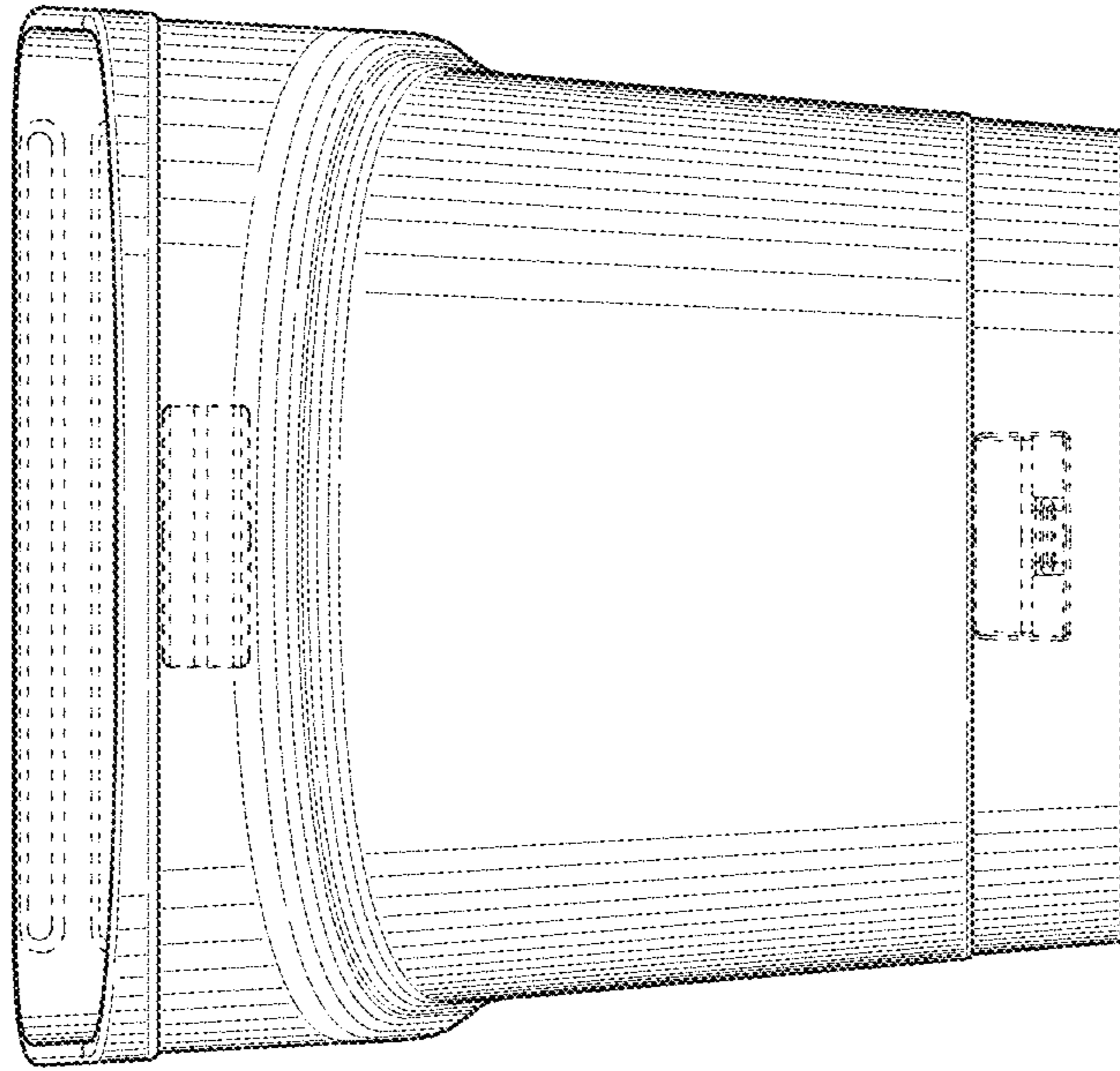


FIG. 16

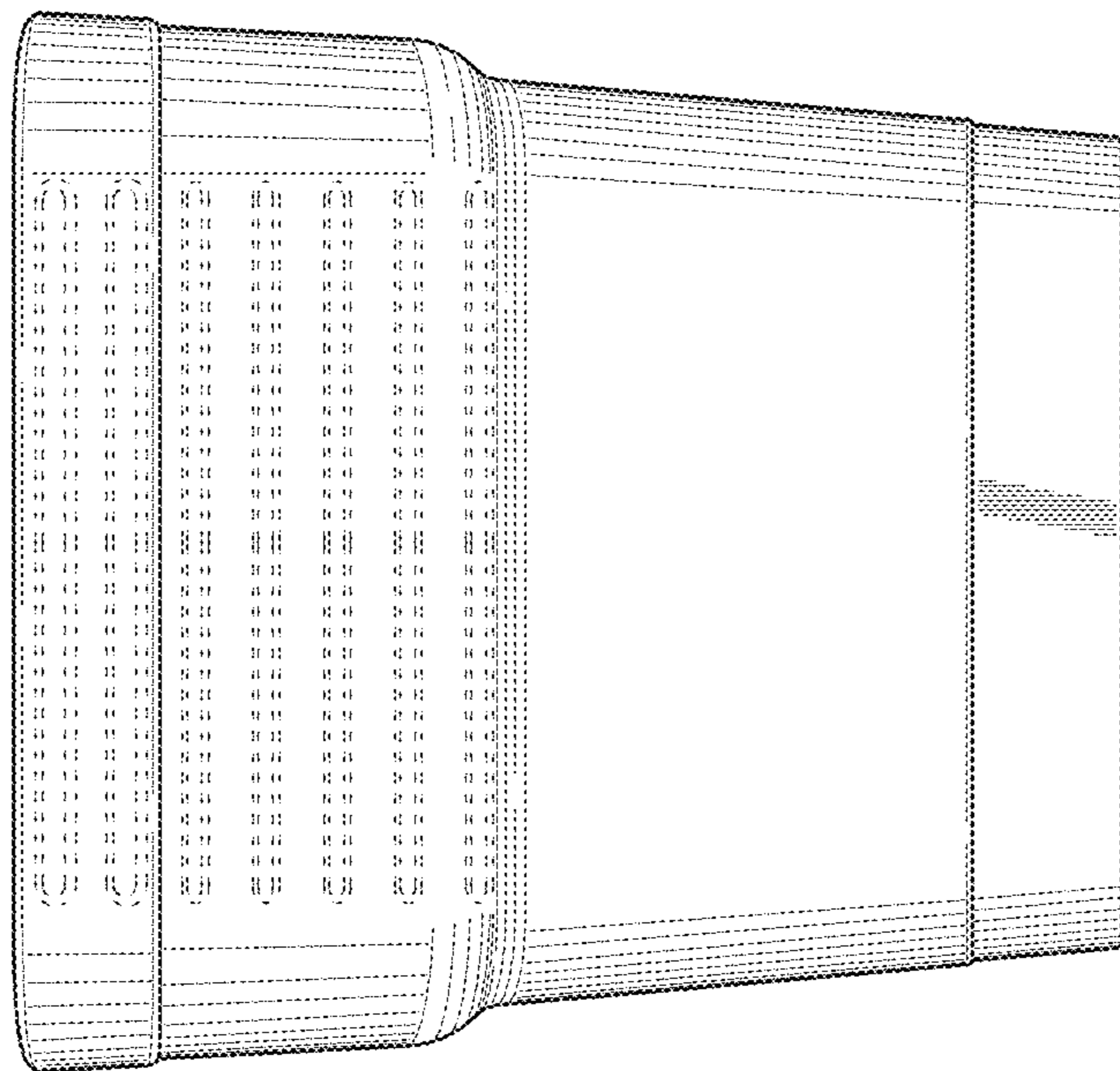


FIG. 15

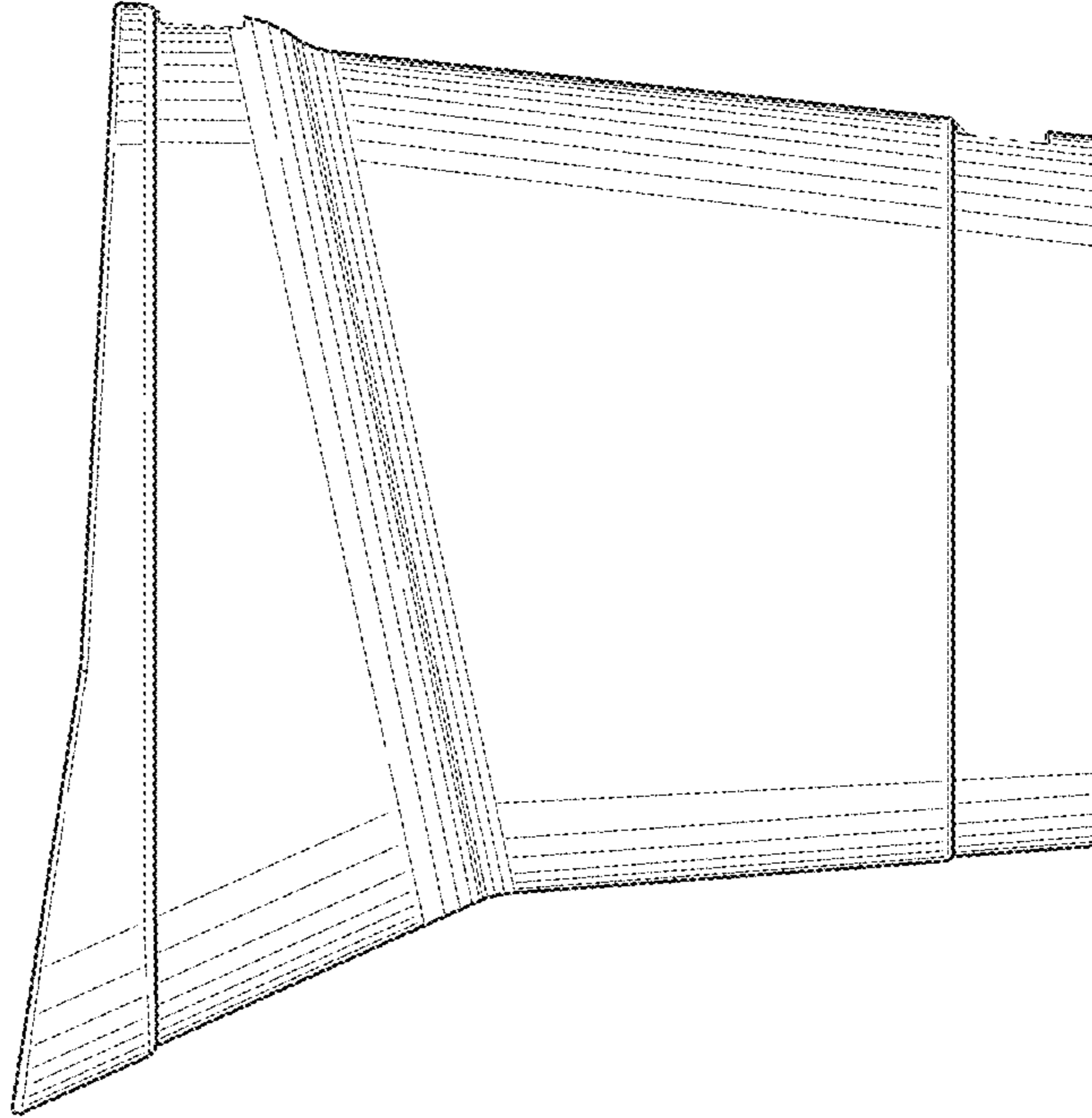


FIG. 18

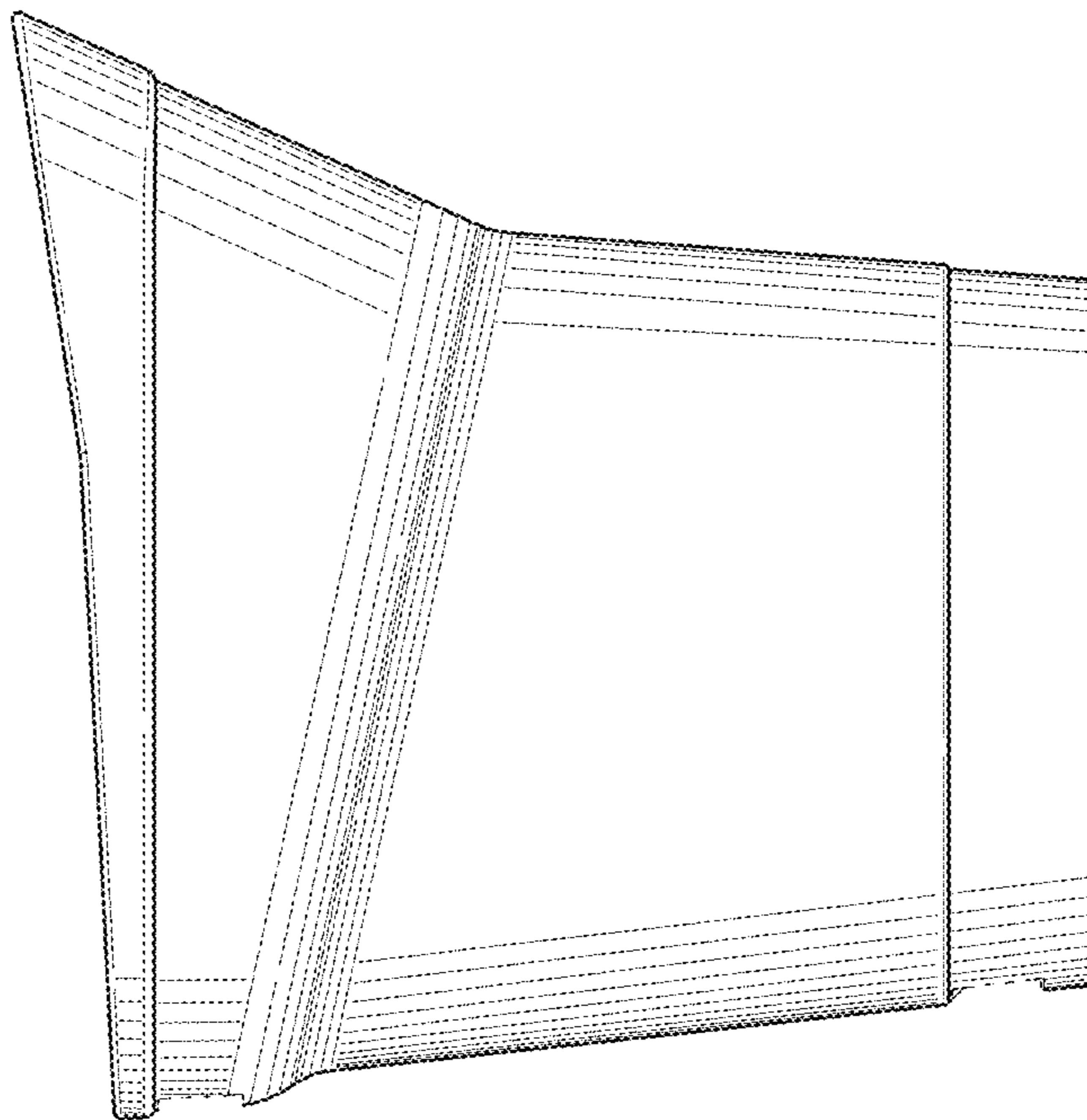


FIG. 17

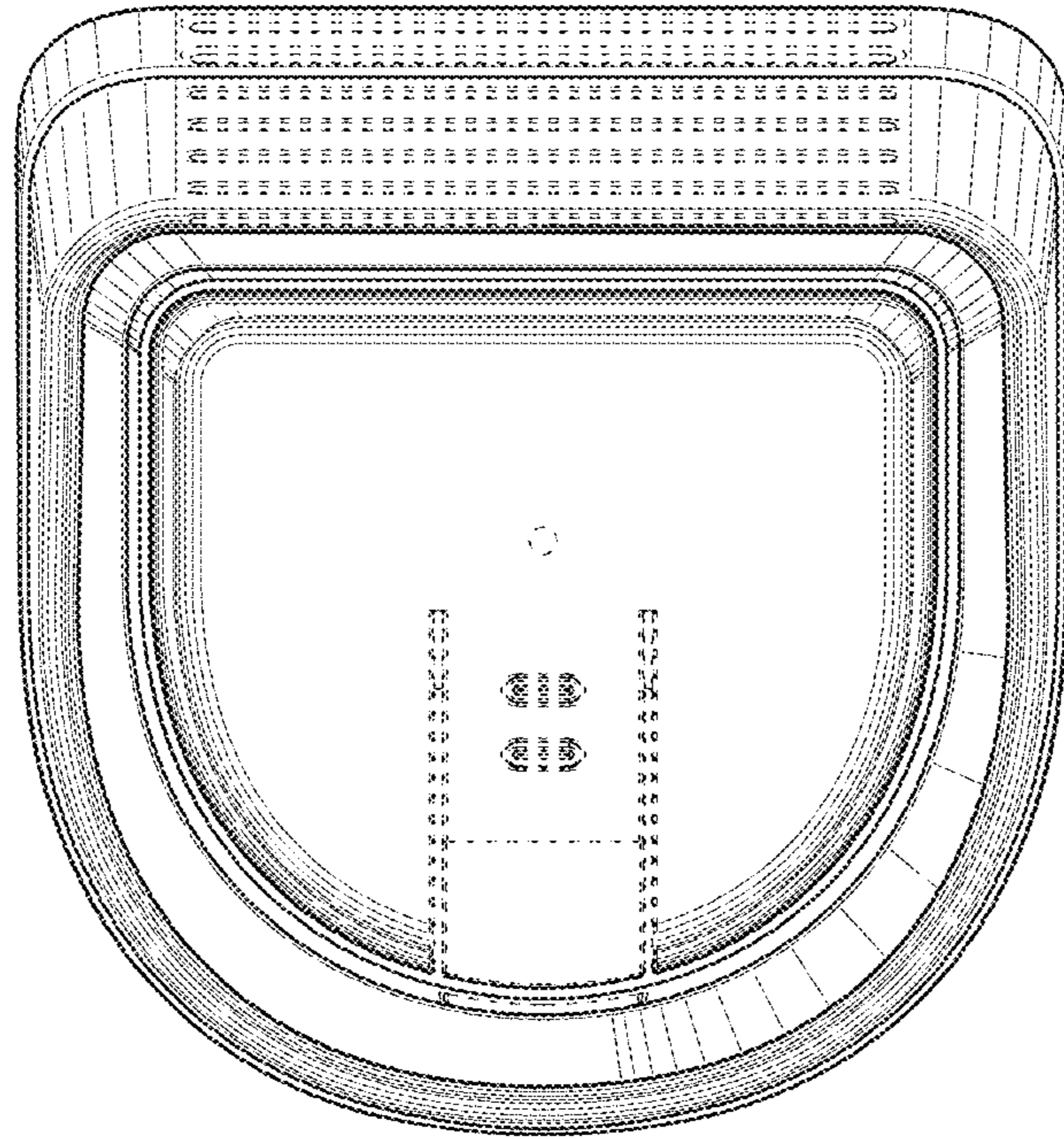


FIG. 19

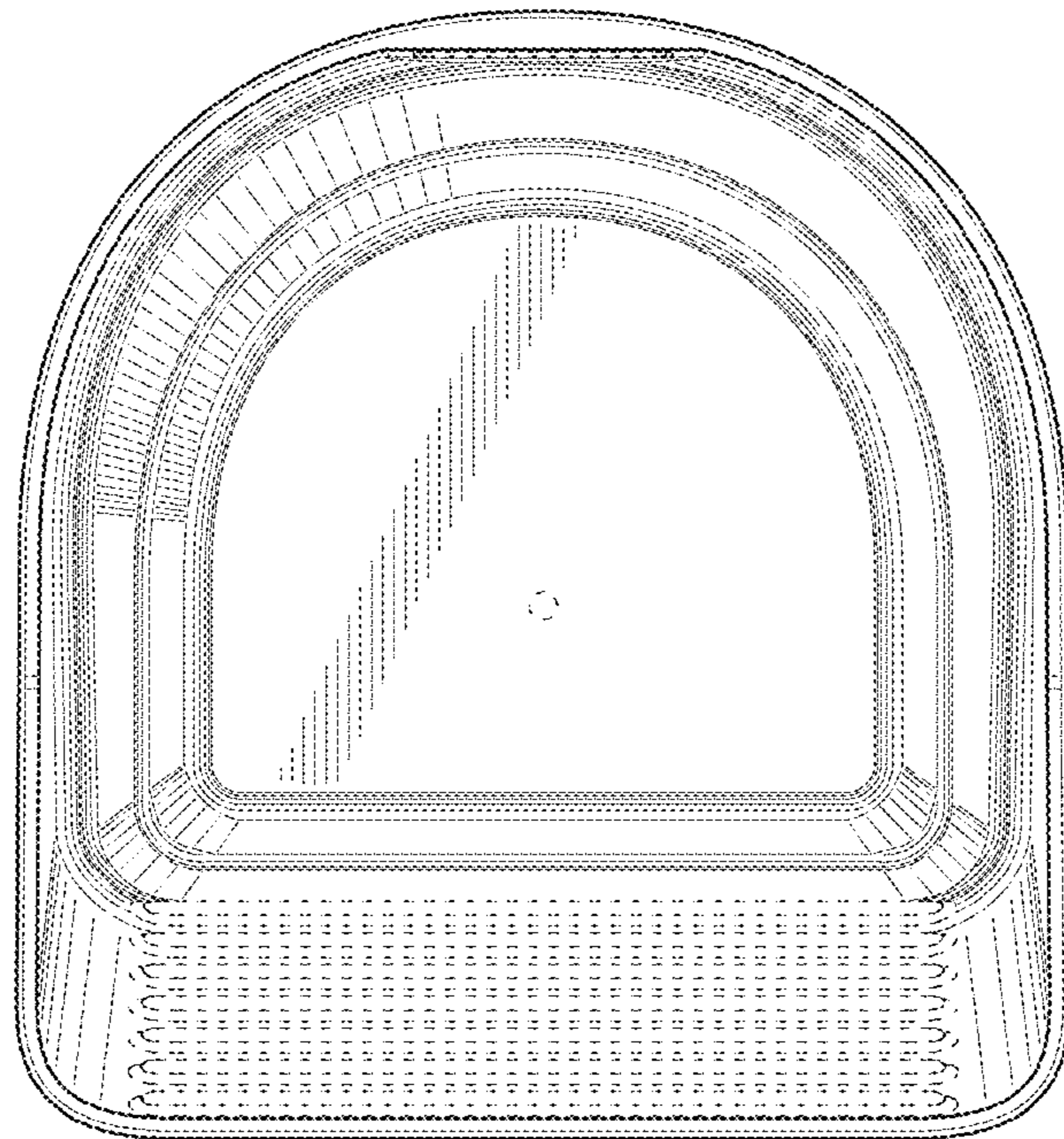


FIG. 20