



US00D738056S

(12) **United States Design Patent**
Harai et al.

(10) **Patent No.:** **US D738,056 S**
(45) **Date of Patent:** **** Sep. 1, 2015**

(54) **CLEANING SPONGE**
(71) Applicant: **3M INNOVATIVE PROPERTIES COMPANY**, St. Paul, MN (US)
(72) Inventors: **Satoshi Harai**, Tokyo (JP); **Akifumi Asano**, Tokyo (JP)
(73) Assignee: **3M INNOVATIVE PROPERTIES COMPANY**, St. Paul, MN (US)
(**) Term: **14 Years**
(21) Appl. No.: **29/486,129**

D589,665 S * 3/2009 Kwapis D32/40
D591,018 S * 4/2009 Bogaerts et al. D32/40
D606,718 S * 12/2009 Leahy et al. D32/40
D625,063 S * 10/2010 Armaly, Jr. D32/40
D636,955 S * 4/2011 Armaly, Jr. D32/40
D641,527 S * 7/2011 Regnier et al. D32/40
7,996,950 B2 * 8/2011 Armaly, Jr. 15/244.3
D657,514 S * 4/2012 Pedriza Hernandez et al. . D32/40
D667,187 S * 9/2012 Sowinski et al. D32/40
D674,565 S * 1/2013 Koenig et al. D32/40
D685,962 S * 7/2013 Timm D32/40
D685,963 S * 7/2013 Timm D32/40
8,505,150 B2 * 8/2013 Armaly, Jr. 15/244.3
D703,896 S * 4/2014 Ishikawa et al. D32/40
D708,805 S * 7/2014 Mehdizadeh D32/40

(22) Filed: **Mar. 26, 2014**
(30) **Foreign Application Priority Data**
Sep. 30, 2013 (JP) 2013-022874
(51) **LOC (10) Cl.** **04-01**
(52) **U.S. Cl.**
USPC **D32/40**
(58) **Field of Classification Search**
USPC D32/40-45; 15/244.1-244.4, 208,
15/209.1, 229.1, 226, 144.1; D28/7
See application file for complete search history.

FOREIGN PATENT DOCUMENTS

JP 3023711 4/1996
JP 10-323319 12/1998

* cited by examiner

Primary Examiner — Robin V Webster
(74) *Attorney, Agent, or Firm* — Irina Haas

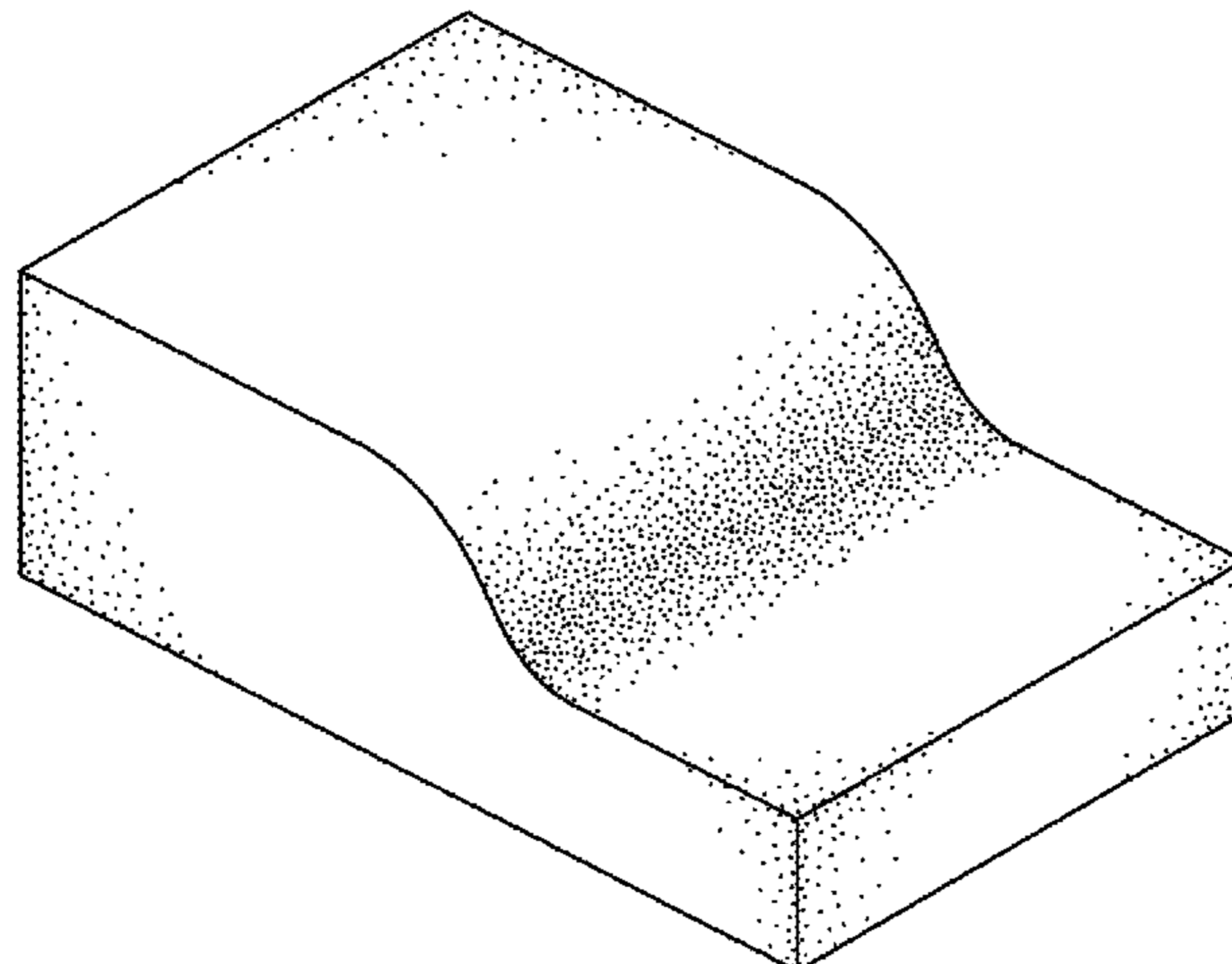
(56) **References Cited**
U.S. PATENT DOCUMENTS
3,165,418 A * 1/1965 Jenkins et al. 106/122
D377,305 S * 1/1997 Bliss D8/90
D416,653 S * 11/1999 Silvers D32/40
D473,027 S * 4/2003 Pecaut D32/40
D506,299 S * 6/2005 Chumley D32/40
D553,316 S * 10/2007 Poizeau et al. D32/40
D556,966 S * 12/2007 Herbrand et al. D32/40
D577,167 S * 9/2008 Bogaerts et al. D32/40
D587,416 S * 2/2009 Ashe D32/40

(57) **CLAIM**
The ornamental design for a cleaning sponge, as shown and described.

DESCRIPTION

FIG. 1 is a perspective view of a cleaning sponge showing the new design;
FIG. 2 is a front view thereof;
FIG. 3 is a rear view thereof;
FIG. 4 is a left side view thereof, the right side view being a mirror image thereof; and,
FIG. 5 is a top view thereof, the bottom view being a mirror image thereof.

1 Claim, 2 Drawing Sheets



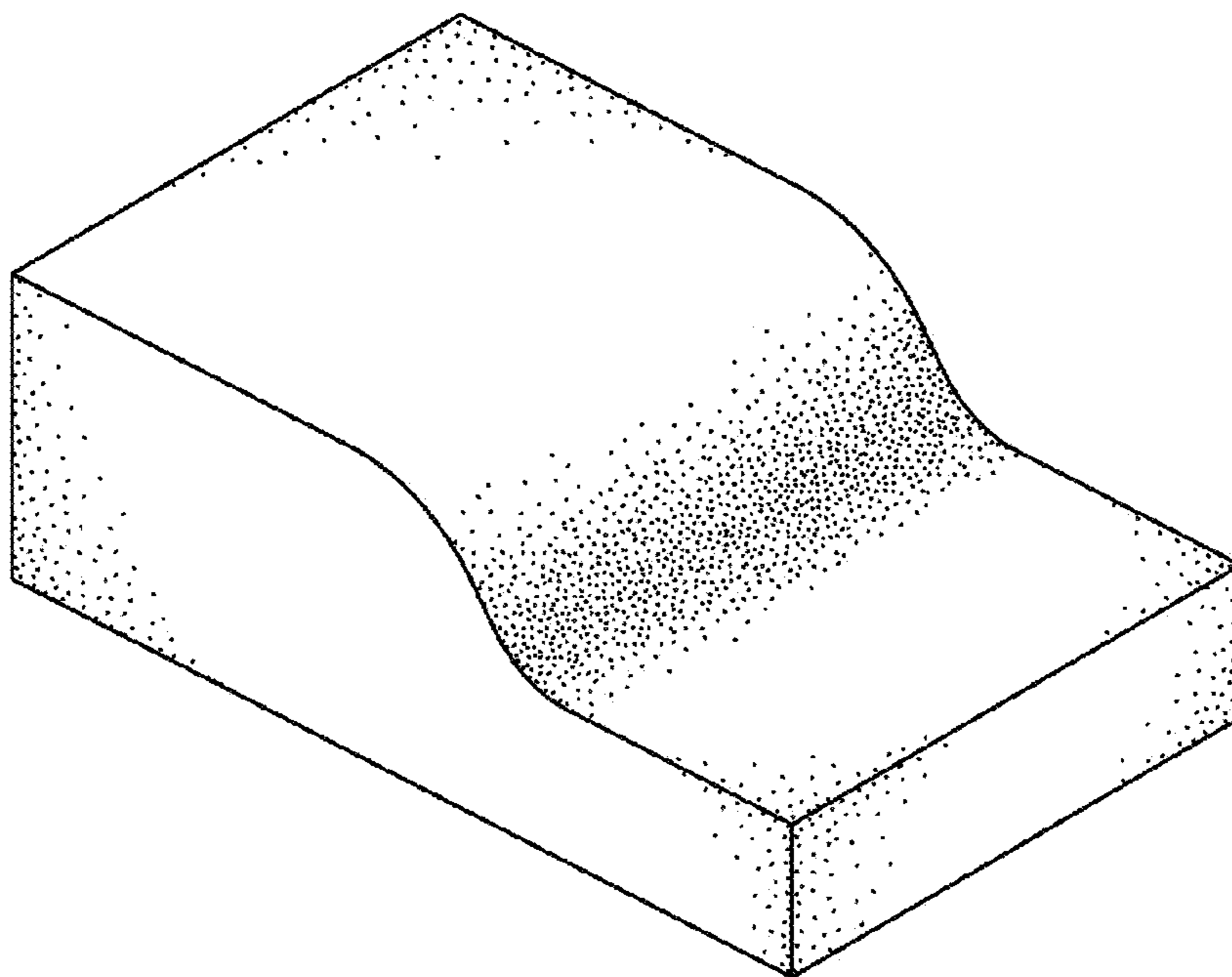


Fig. 1

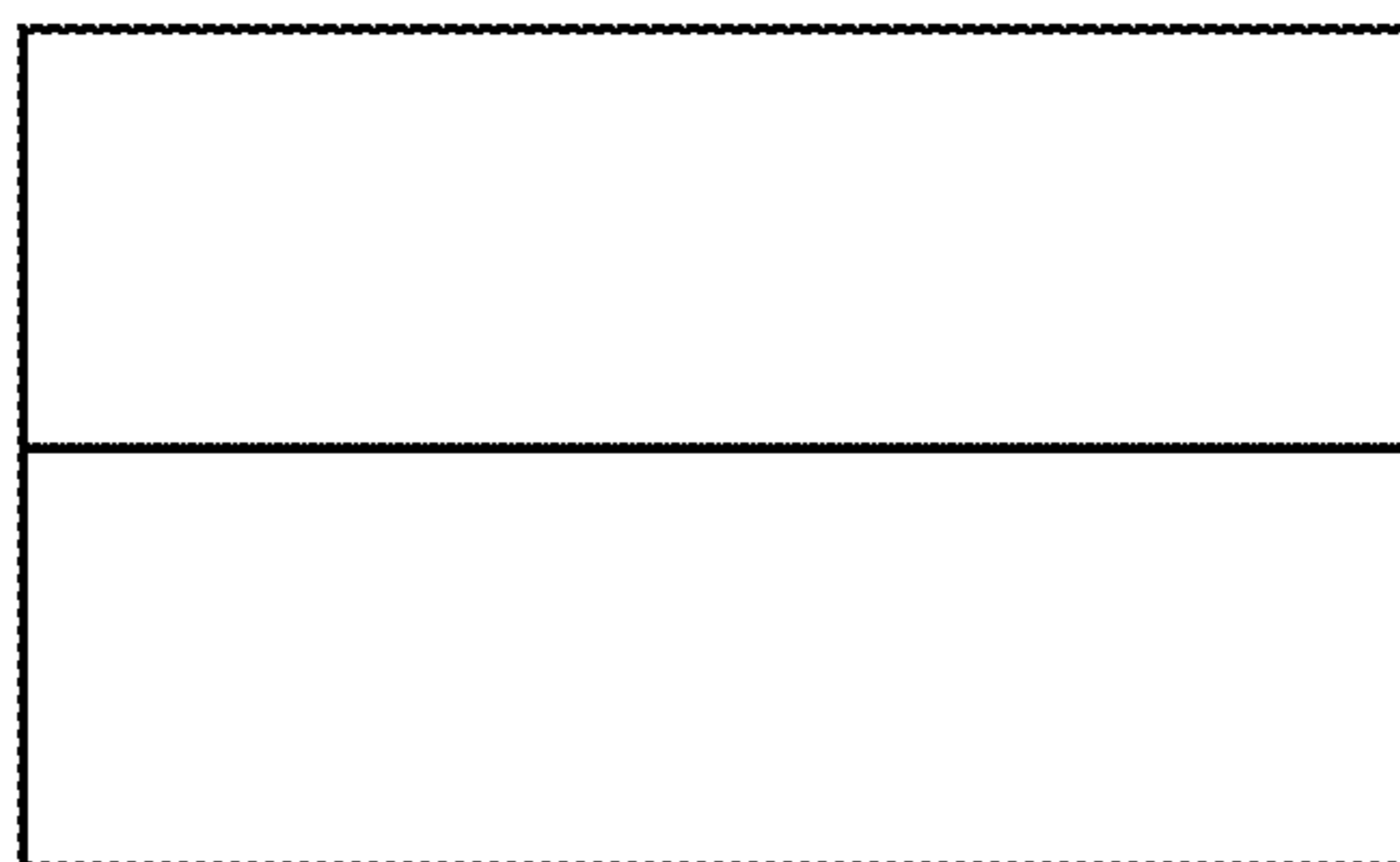


Fig. 2



Fig. 3

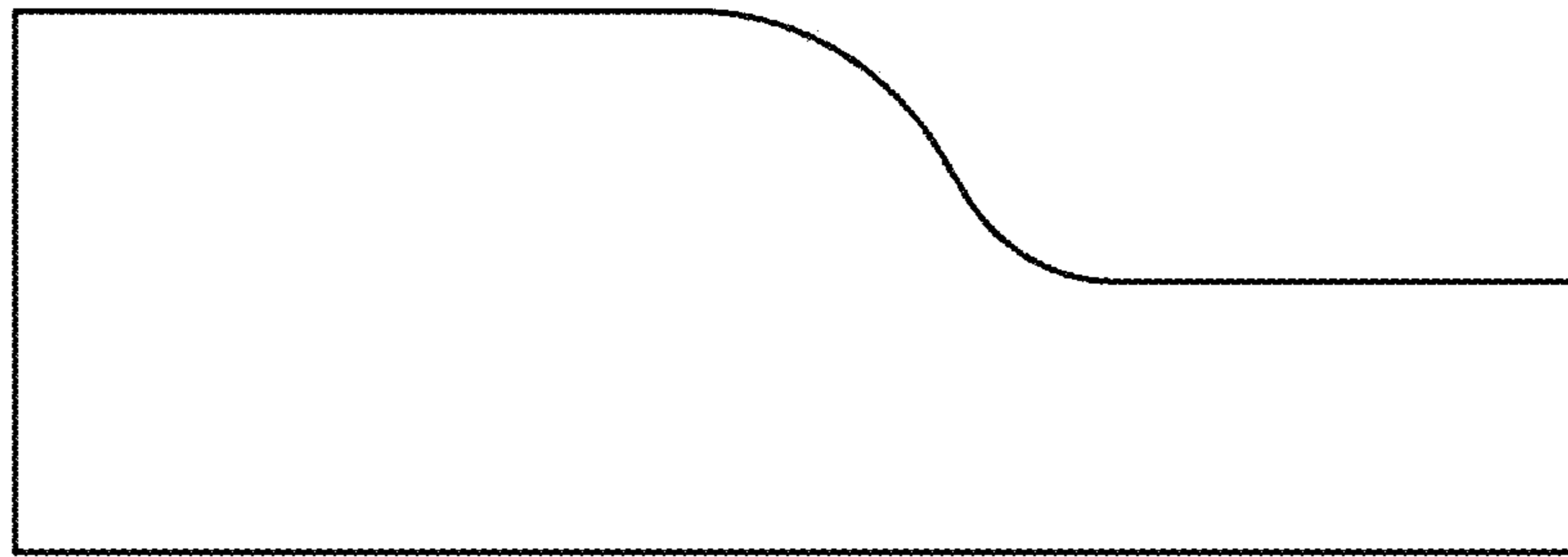


Fig. 4

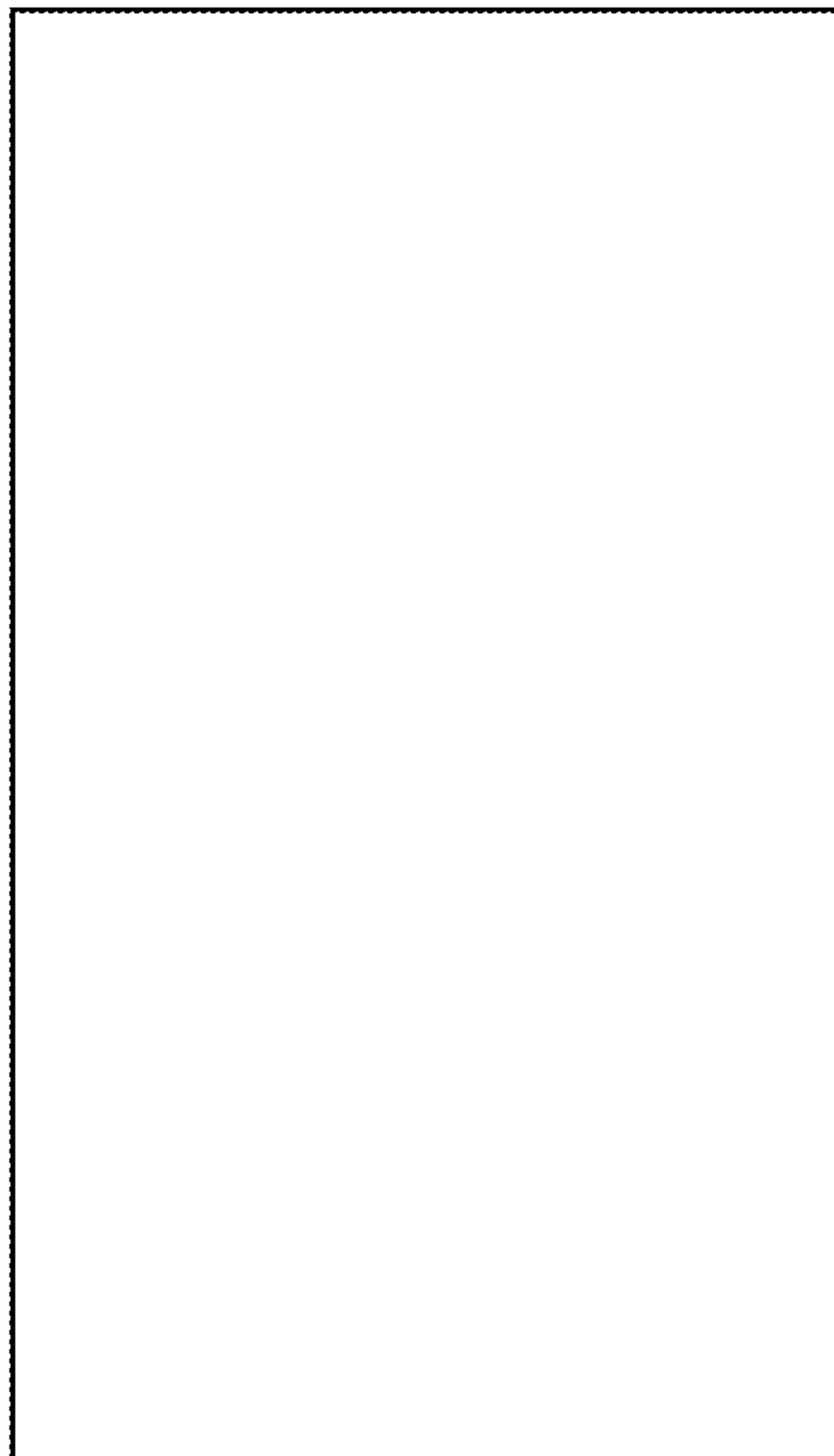


Fig. 5