



US00D738051S

(12) **United States Design Patent**  
**Collins**

(10) **Patent No.:** **US D738,051 S**  
(45) **Date of Patent:** **\*\* Sep. 1, 2015**

(54) **GAME FEEDER**

(56) **References Cited**

(71) Applicant: **David Collins**, Fort Myers, FL (US)

U.S. PATENT DOCUMENTS

(72) Inventor: **David Collins**, Fort Myers, FL (US)

(\*\*) Term: **14 Years**

(21) Appl. No.: **29/513,331**

(22) Filed: **Dec. 30, 2014**

1,120,178	A *	12/1914	Berghofer	119/51.01
1,239,404	A *	9/1917	Knoll, Jr.	239/70
1,345,350	A *	7/1920	Corning	119/57.91
1,359,691	A *	11/1920	Genuit	119/70
D168,337	S *	12/1952	Cusenbary	D30/121
2,886,002	A *	5/1959	O'Malley et al.	119/77
2,988,047	A *	6/1961	Hurdle	119/52.4
3,195,508	A *	7/1965	Lehman et al.	119/51.11
4,358,205	A *	11/1982	Eakins	366/141
4,580,528	A *	4/1986	Kendall	119/53
4,601,414	A *	7/1986	Lawson	222/564
4,986,220	A *	1/1991	Reneau et al.	119/57.91
5,259,337	A *	11/1993	Rasmussen	119/57.1
5,339,996	A *	8/1994	Dubbert et al.	222/185.1
5,463,980	A *	11/1995	Rasmussen	119/57.1
5,794,563	A *	8/1998	Klepac	119/57.91
6,435,581	B1 *	8/2002	House et al.	294/68.1
D477,440	S *	7/2003	Ansaldo	D30/121
6,622,653	B1 *	9/2003	Starnes, Jr.	119/51.01

**Related U.S. Application Data**

(63) Continuation of application No. 13/661,510, filed on Oct. 26, 2012, now abandoned.

(51) **LOC (10) Cl.** ..... **30-03**

(52) **U.S. Cl.**  
USPC ..... **D30/121**

(58) **Field of Classification Search**  
USPC ..... D30/133, 121, 122, 124, 127, 128, 132, D30/131, 114, 119; 119/51.01, 61, 51.04, 119/53, 57.91, 54, 53.5, 52.4, 51.11, 63, 119/61.2, 52.1, 57.5, 57.6, 51.13, 62, 75, 119/500, 501, 521, 57.92, 59, 51.12, 57.1, 119/56.1, 57; 239/7, 687, 379, 397.5; 222/199, 181.1, 181.2, 185.1, 557, 222/156, 485, 486, 548, 555; 220/200, 227, 220/247, 262; 221/174, 185.1, 289, 295, 221/296, 559; 454/35; 209/270, 283, 244; 52/194, 192; 49/279, 344, 357; D34/28  
CPC ..... A01K 5/0225; A01K 5/00; A01K 5/02; A01K 5/01; A01K 5/0291; A01K 5/0266; A01K 5/0275; A01K 5/0283; A01K 39/00; A01K 39/01; A01K 39/0113; A01K 39/012; A01K 39/0125; A01K 39/014; B28C 7/0046; B65D 90/14; B65D 88/52; B65D 88/30; A01C 17/005; A01C 17/006; Y10T 74/19721; Y10T 74/2063

See application file for complete search history.

(Continued)

*Primary Examiner* — Susan Moon Lee

(74) *Attorney, Agent, or Firm* — William E. Noonan

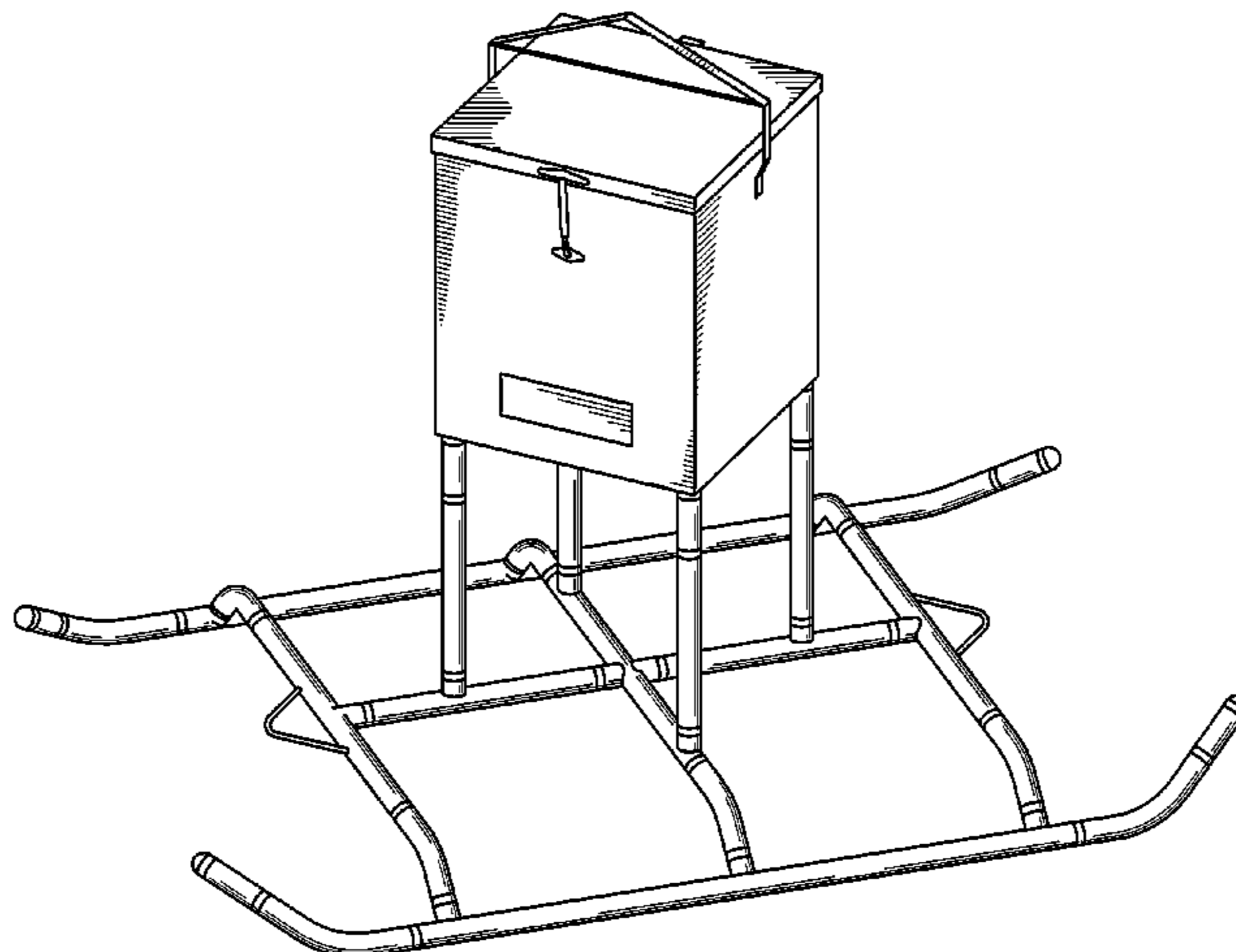
(57) **CLAIM**

The ornamental design for a game feeder, as shown.

**DESCRIPTION**

FIG. 1 is a lower, front and right side perspective view of the game feeder;  
FIG. 2 is an upper, front and right side perspective view of the game feeder;  
FIG. 3 is a left hand elevational view of the game feeder;  
FIG. 4 is a rear elevational view of the game feeder;  
FIG. 5 is a top plan view of the game feeder; and,  
FIG. 6 is a fragmentary lower perspective view of the spreader of the game feeder.

**1 Claim, 6 Drawing Sheets**



(56)

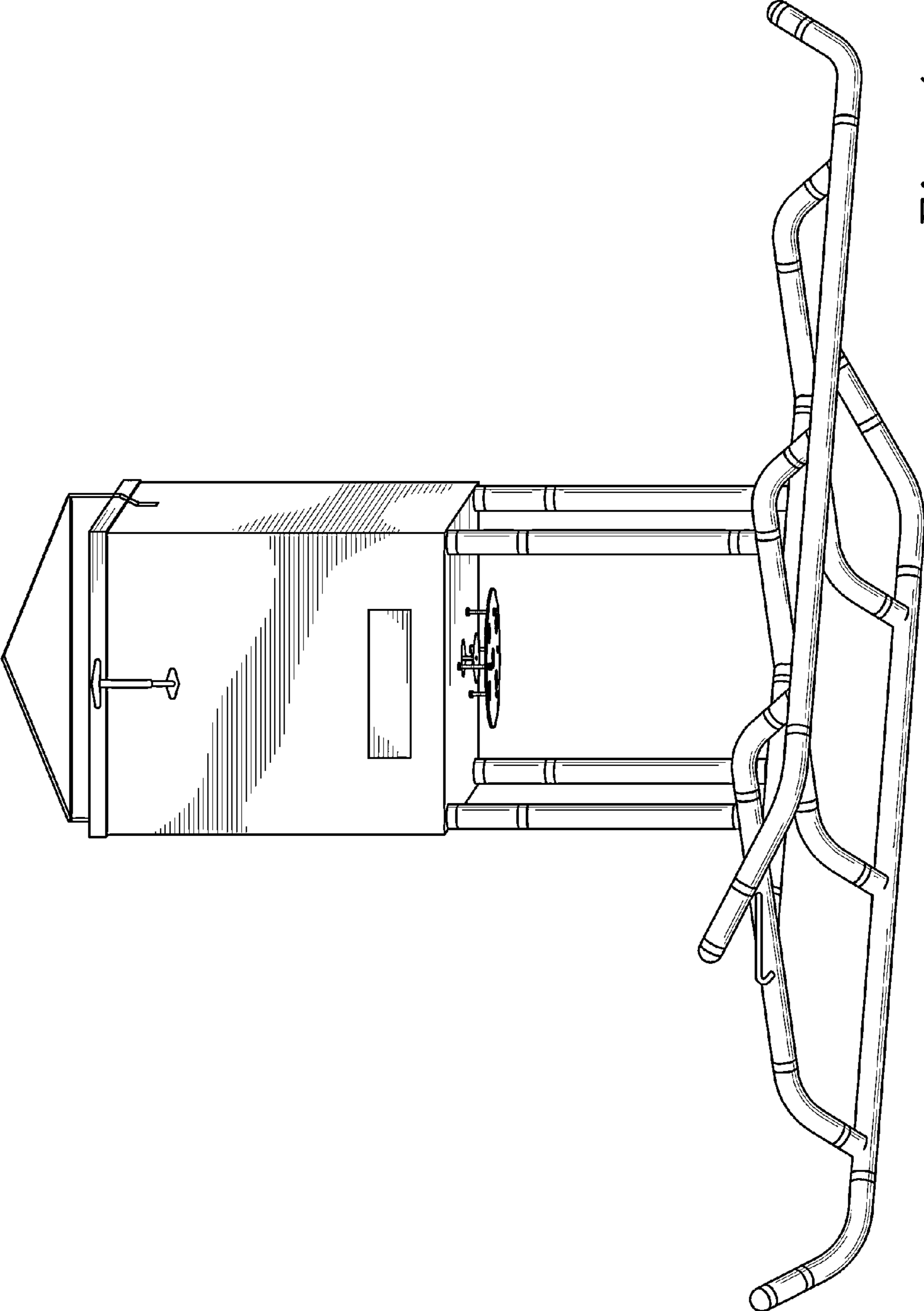
**References Cited**

U.S. PATENT DOCUMENTS

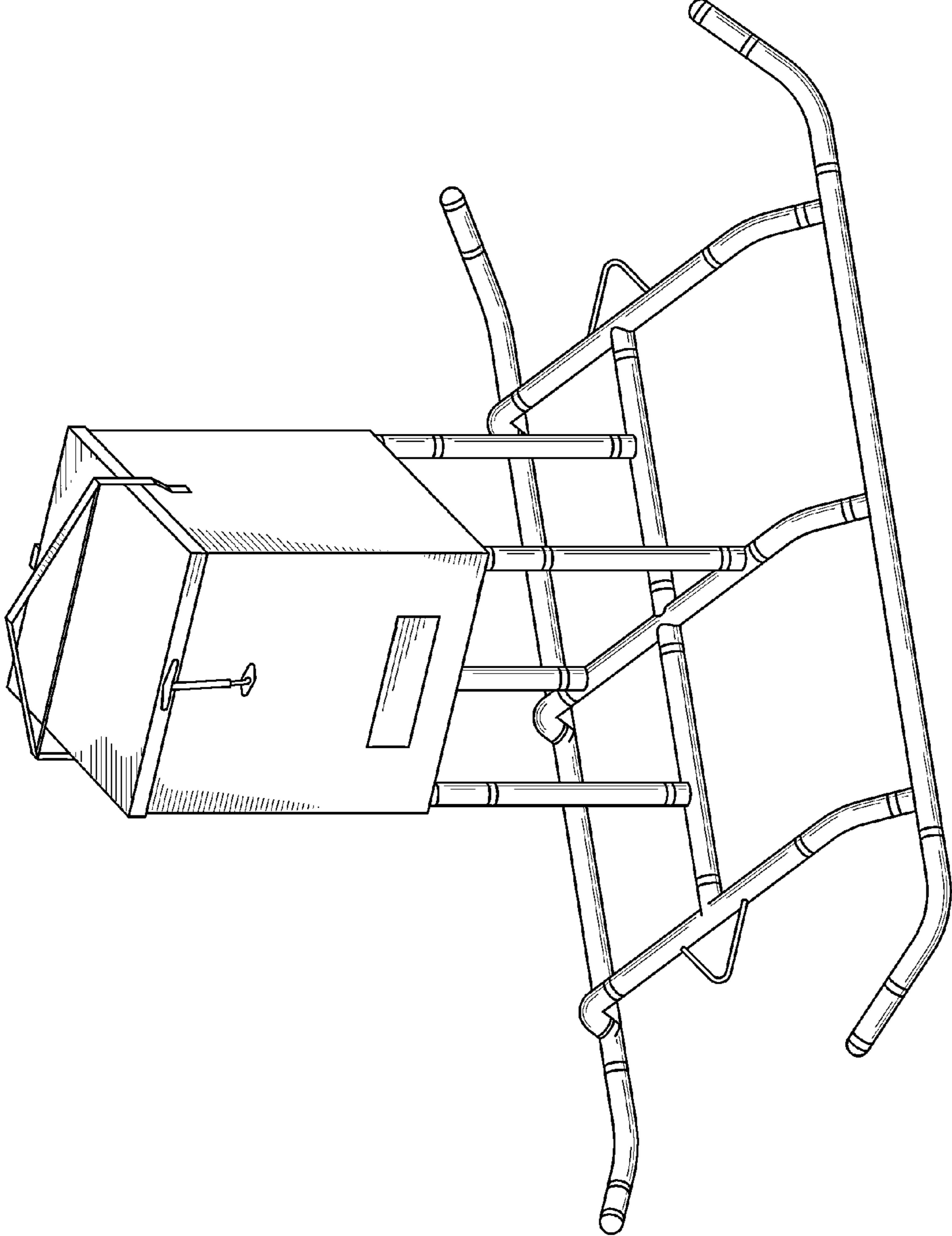
7,028,635 B1 \* 4/2006 Eastman, II ..... 119/51.11  
 7,178,481 B1 \* 2/2007 Friesenhahn et al. .... 119/57.91  
 7,214,028 B2 \* 5/2007 Boasso et al. .... 414/812  
 D575,908 S \* 8/2008 Meritt ..... D30/133  
 D588,166 S \* 3/2009 Lyons, III ..... D15/19  
 8,096,265 B1 \* 1/2012 Wisecarver ..... 119/57.1  
 8,607,736 B1 \* 12/2013 Plant ..... 119/57.91  
 2003/0005887 A1 \* 1/2003 Graham ..... 119/52.1  
 2003/0024480 A1 \* 2/2003 Meritt ..... 119/61  
 2005/0076843 A1 \* 4/2005 Ansaldo ..... 119/57.91  
 2005/0241588 A1 \* 11/2005 Foster ..... 119/57.91  
 2006/0283396 A1 \* 12/2006 Hernandez ..... 119/51.13  
 2007/0028844 A1 \* 2/2007 Bodenstab et al. .... 119/52.1

2007/0039552 A1 \* 2/2007 Nicholes ..... 119/51.11  
 2008/0190370 A1 \* 8/2008 Coady ..... 119/52.1  
 2009/0199773 A1 \* 8/2009 Jurk ..... 119/57.91  
 2009/0241845 A1 \* 10/2009 Croft ..... 119/51.11  
 2009/0241846 A1 \* 10/2009 Dollar et al. .... 119/57.91  
 2010/0107983 A1 \* 5/2010 Gates ..... 119/53  
 2012/0037079 A1 \* 2/2012 Rasmussen et al. .... 119/52.3  
 2012/0085289 A1 \* 4/2012 Quiring et al. .... 119/57.91  
 2013/0199450 A1 \* 8/2013 Harty et al. .... 119/51.02  
 2014/0069339 A1 \* 3/2014 Dettore et al. .... 119/61.2  
 2014/0116343 A1 \* 5/2014 Collins ..... 119/51.11  
 2014/0230736 A1 \* 8/2014 Gates ..... 119/53  
 2014/0267705 A1 \* 9/2014 Hankins et al. .... 348/143  
 2015/0047568 A1 \* 2/2015 Morris ..... 119/51.11  
 2015/0122187 A1 \* 5/2015 Nelson ..... 119/57.91

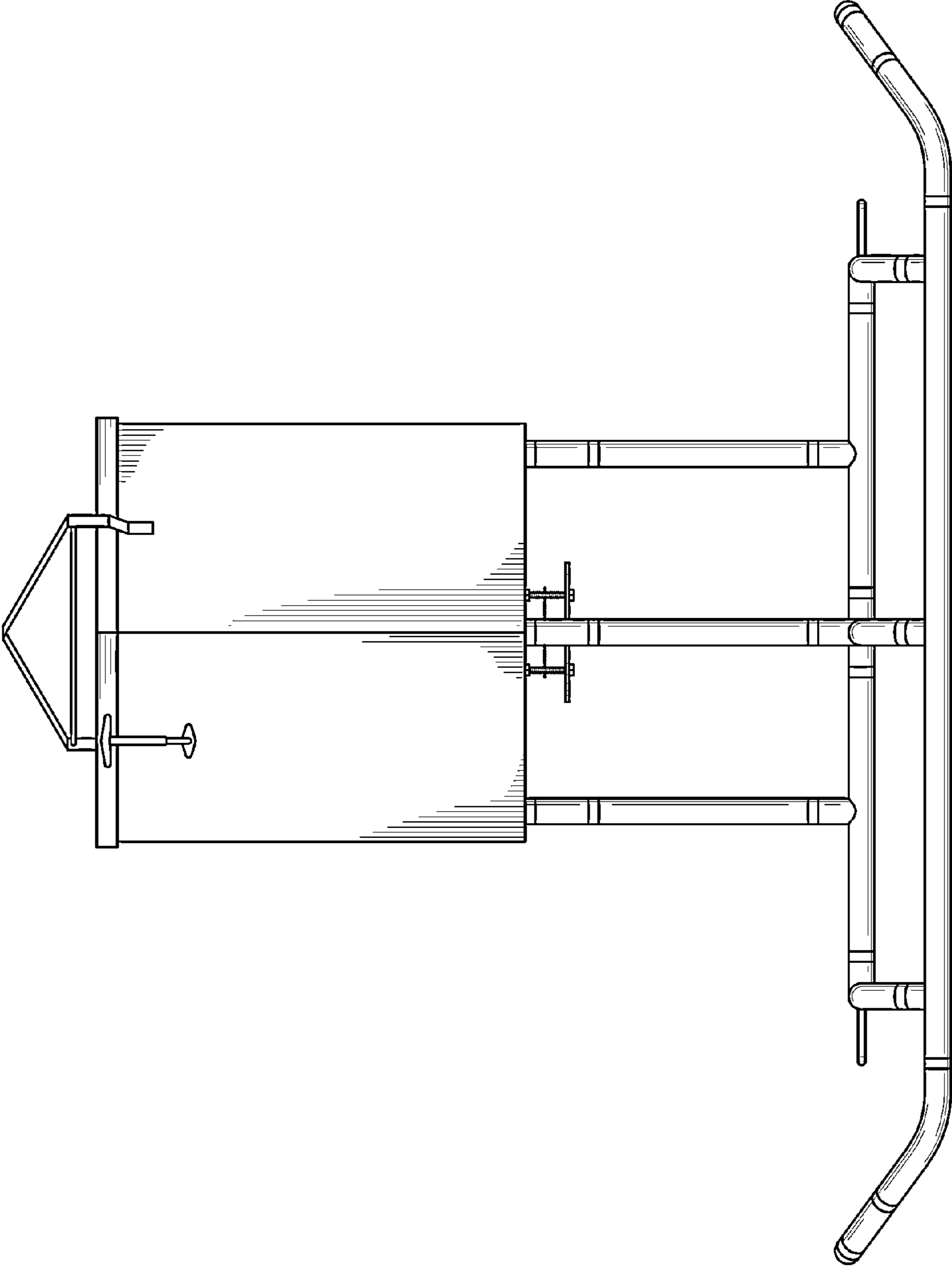
\* cited by examiner



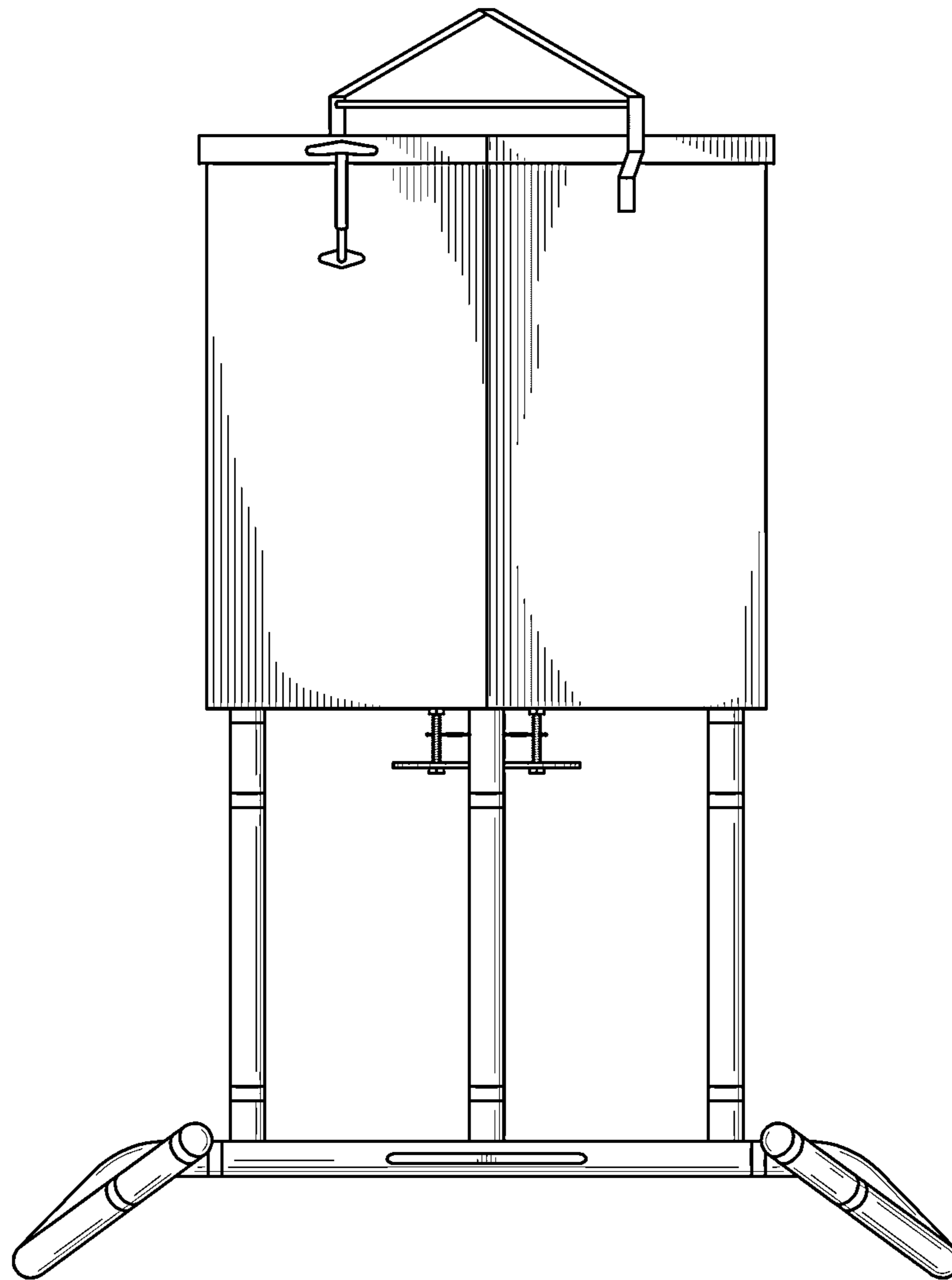
*Fig. 1*



*Fig. 2*

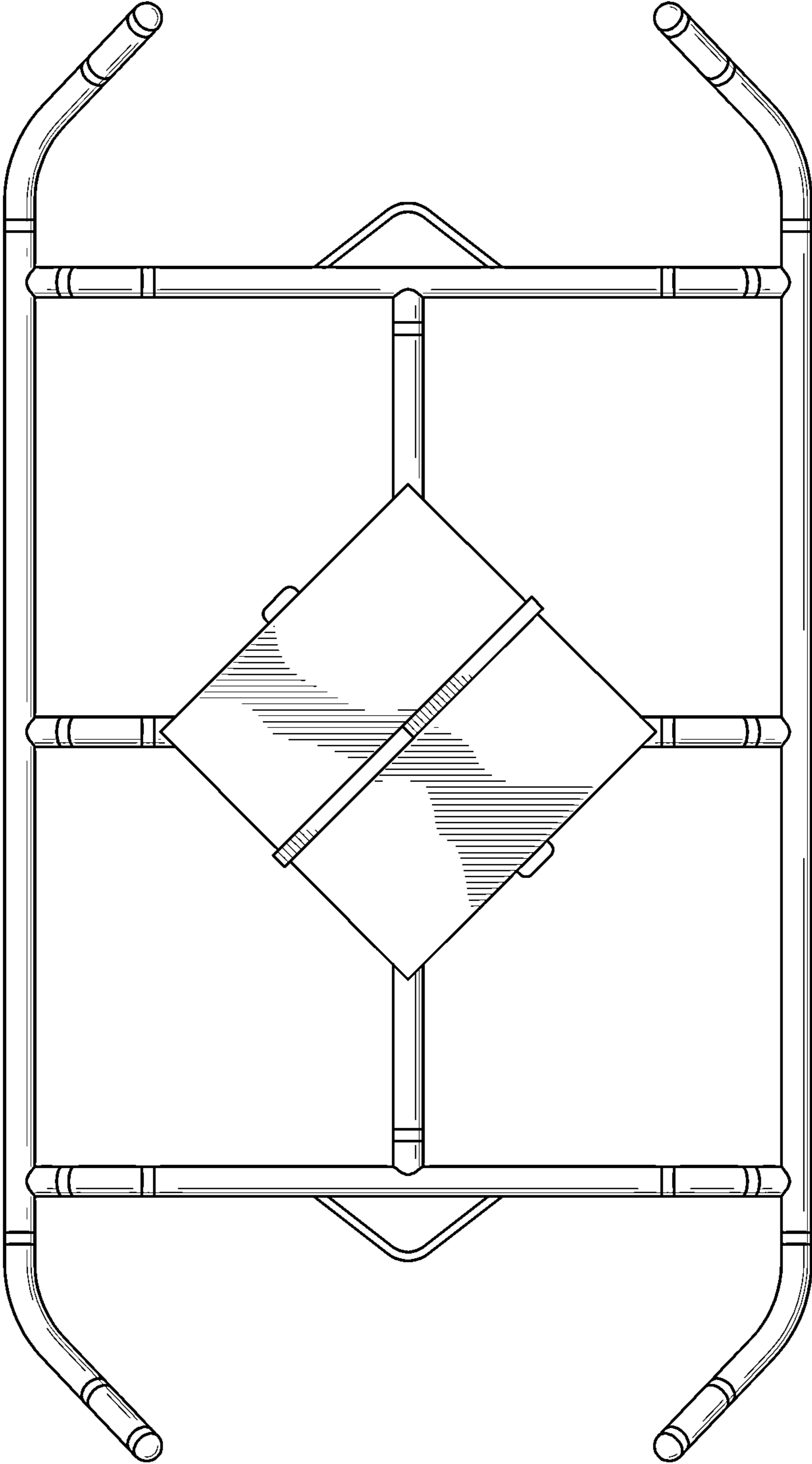


*Fig. 3*

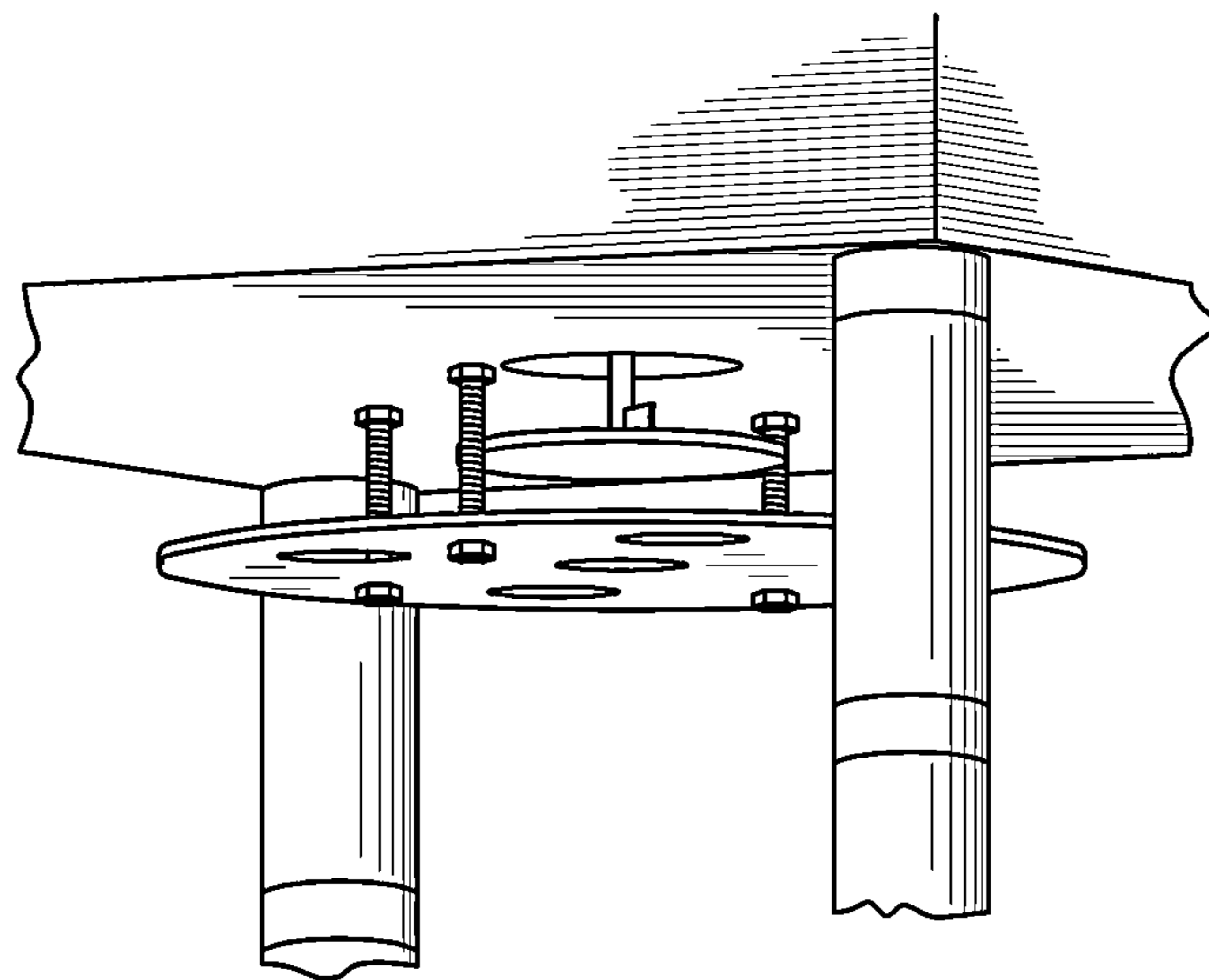


*Fig. 4*





*Fig. 5*



*Fig. 6*