



US00D738049S

(12) **United States Design Patent**
Gee

(10) **Patent No.:** **US D738,049 S**

(45) **Date of Patent:** **** Sep. 1, 2015**

(54) **HELMET ACCESSORY**

(71) Applicant: **Howard Wayne Gee**, Red Oak, TX (US)

(72) Inventor: **Howard Wayne Gee**, Red Oak, TX (US)

(**) Term: **14 Years**

(21) Appl. No.: **29/479,939**

(22) Filed: **Jan. 22, 2014**

(51) **LOC (10) Cl.** **29-02**

(52) **U.S. Cl.**
USPC **D29/122**

(58) **Field of Classification Search**
USPC D29/102-107, 122
CPC A42B 1/066; A42B 3/228; A42B 3/08;
A42B 3/32; A42B 3/00; A42B 3/166; A42B
3/222; A42B 3/16; A42B 3/20; A42B 3/227;
A42B 3/105; A42B 3/22; A42B 3/04; A42B
3/06; A42B 3/0473; A42B 3/127; A63B
71/10; A41D 13/0512

See application file for complete search history.

(56) **References Cited**

U.S. PATENT DOCUMENTS

4,581,774	A *	4/1986	Chaise	2/421
5,095,550	A *	3/1992	Perlinger	2/422
D446,358	S *	8/2001	Tezuka	D29/122
6,308,343	B1 *	10/2001	Arai	2/414
D500,178	S *	12/2004	Fournier et al.	D29/122
D674,560	S *	1/2013	Klotz et al.	D29/122
2014/0352033	A1 *	12/2014	Bryan et al.	2/244

* cited by examiner

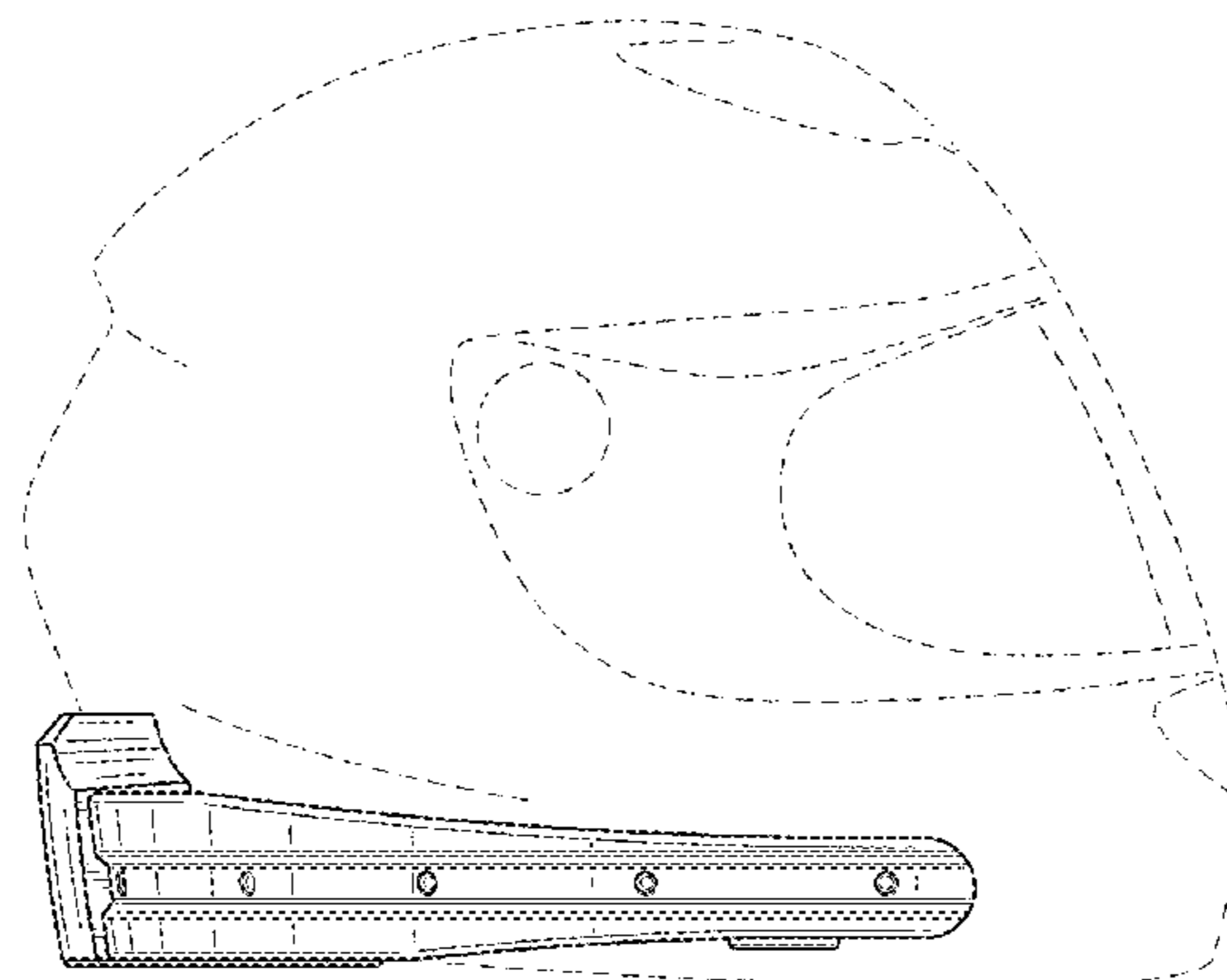
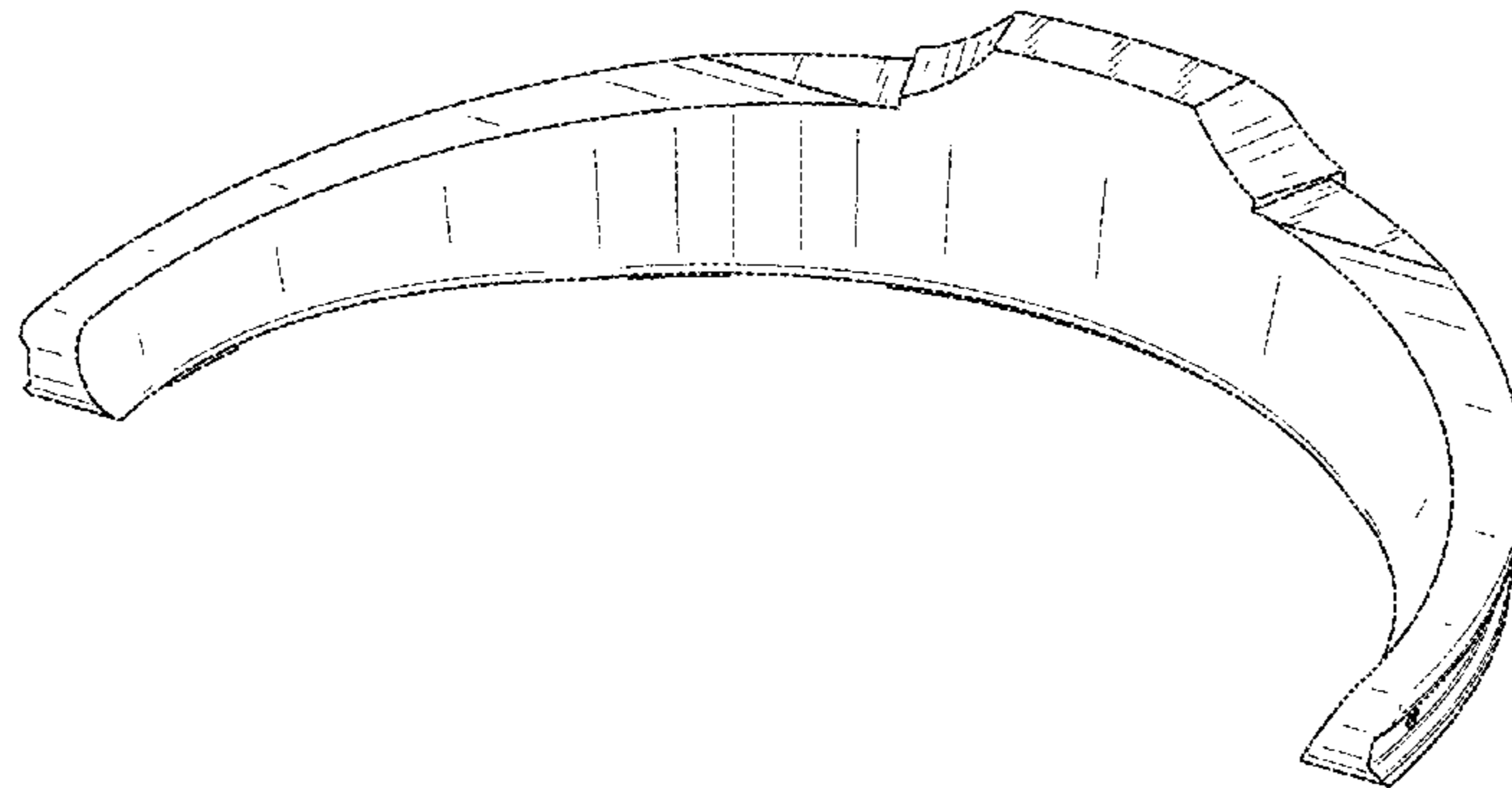
Primary Examiner — Ruth McInroy

(57) **CLAIM**
The ornamental design for a helmet accessory, as shown and described.

DESCRIPTION

FIG. 1 is a front perspective view of a helmet accessory showing my new design;
FIG. 2 is a front elevation view thereof;
FIG. 3 is a rear elevation view thereof;
FIG. 4 is a left side elevation view thereof, the right side being a mirror image;
FIG. 5 is a top plan view thereof; and,
FIG. 6 is a bottom plan view thereof.
The details shown in broken lines form no part of the claimed design.

1 Claim, 3 Drawing Sheets



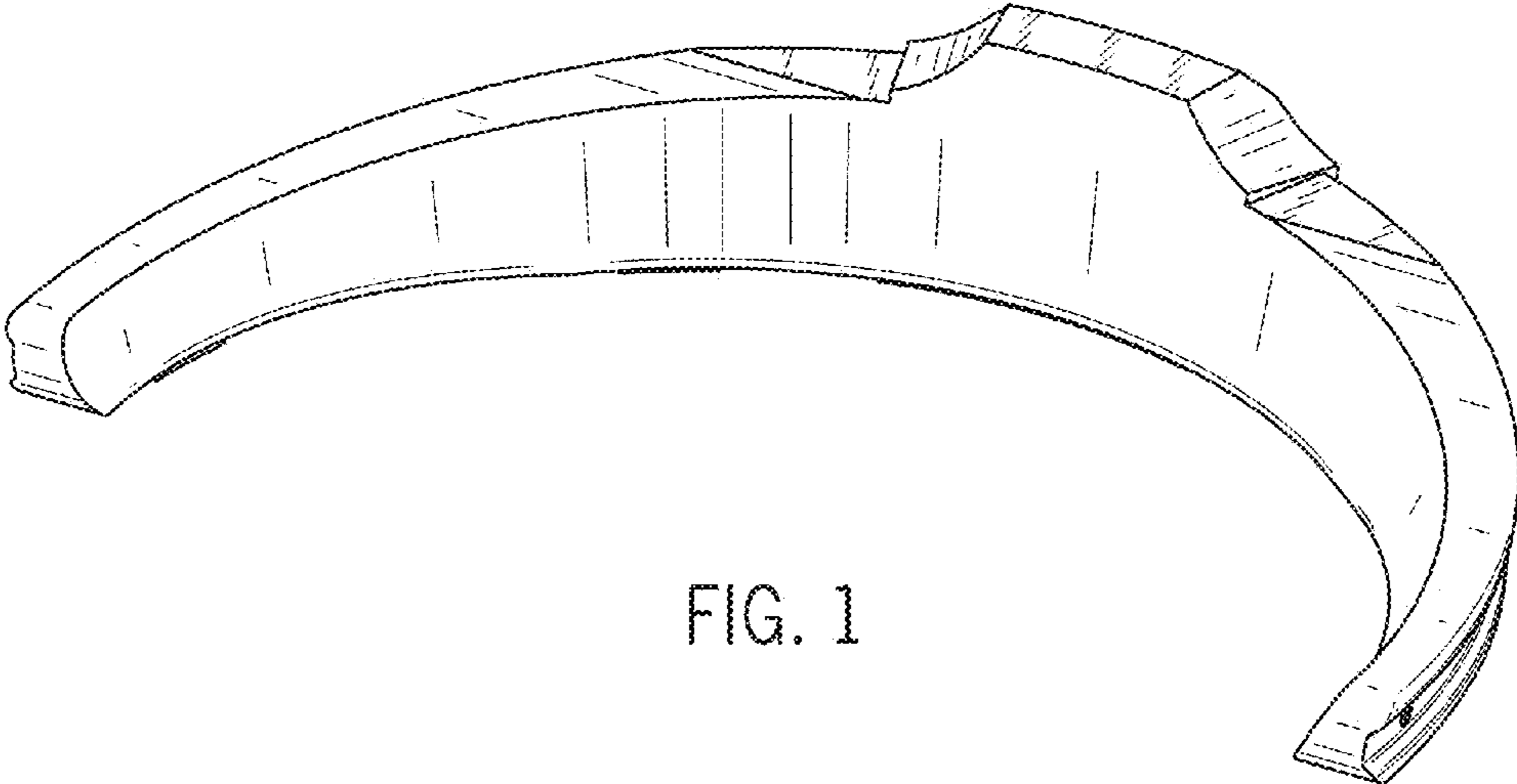


FIG. 1

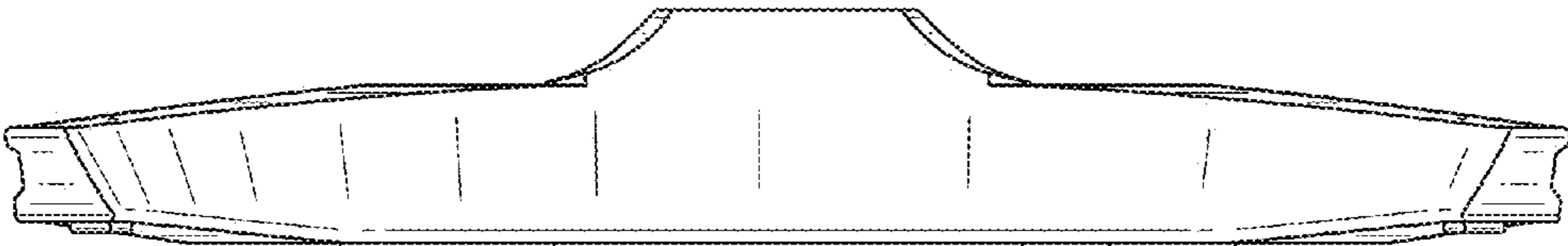


FIG. 2

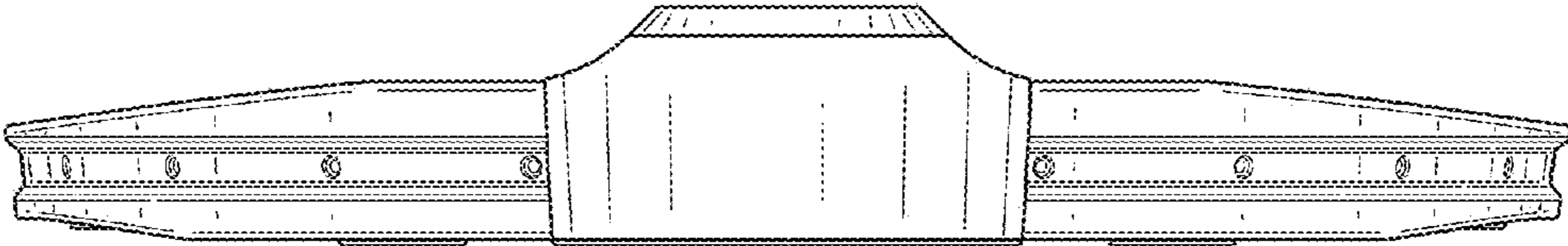


FIG. 3

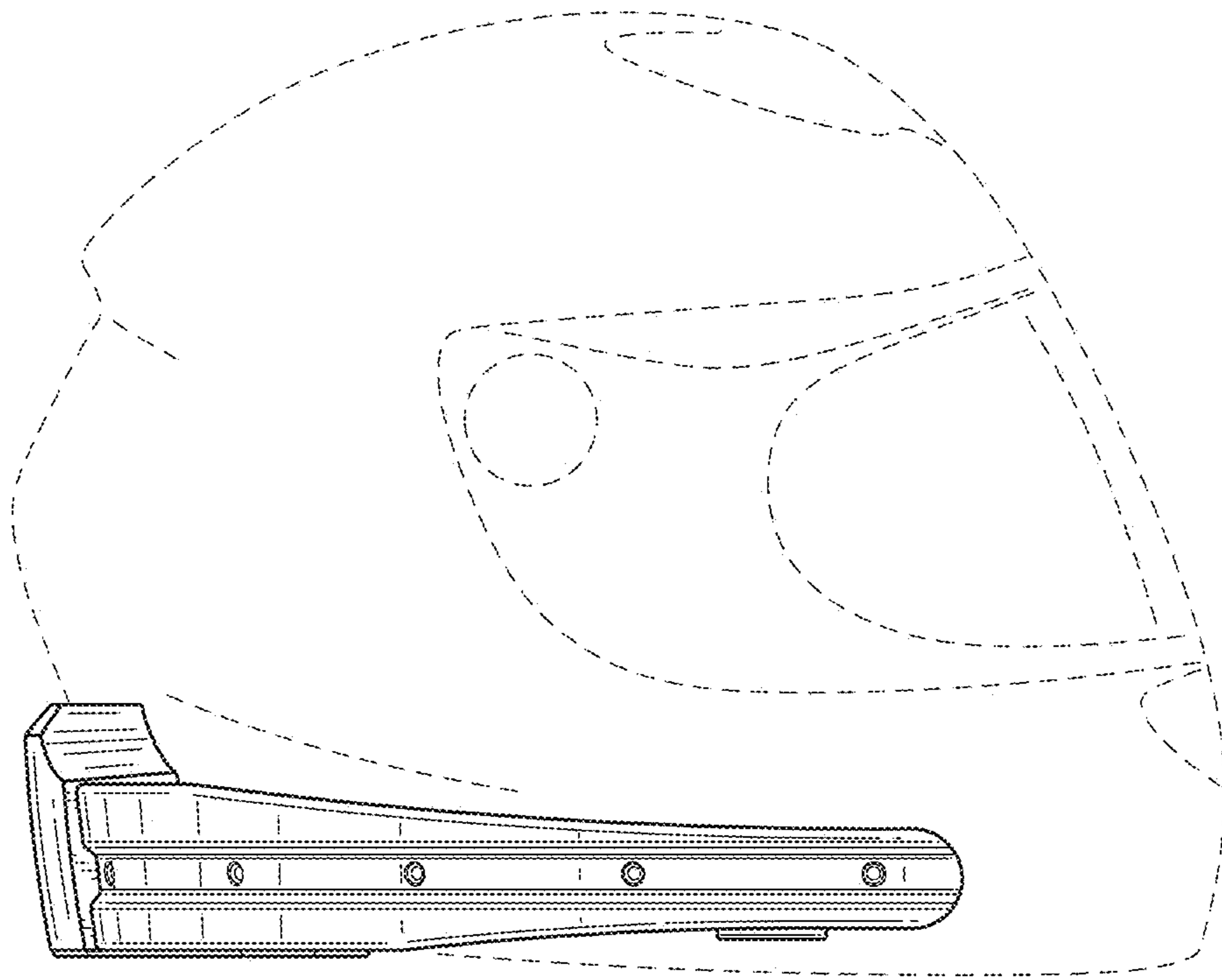


FIG. 4

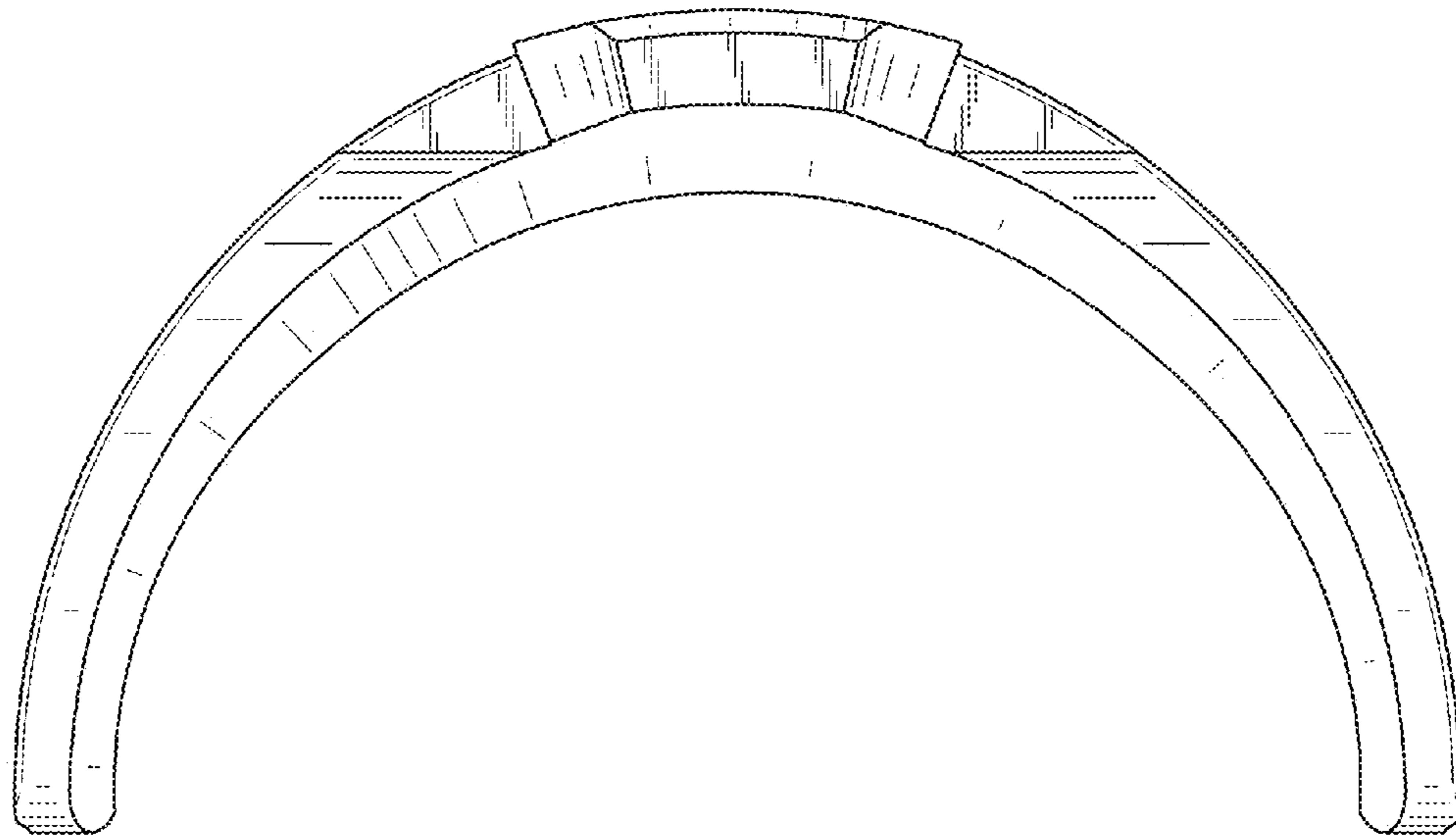


FIG. 5

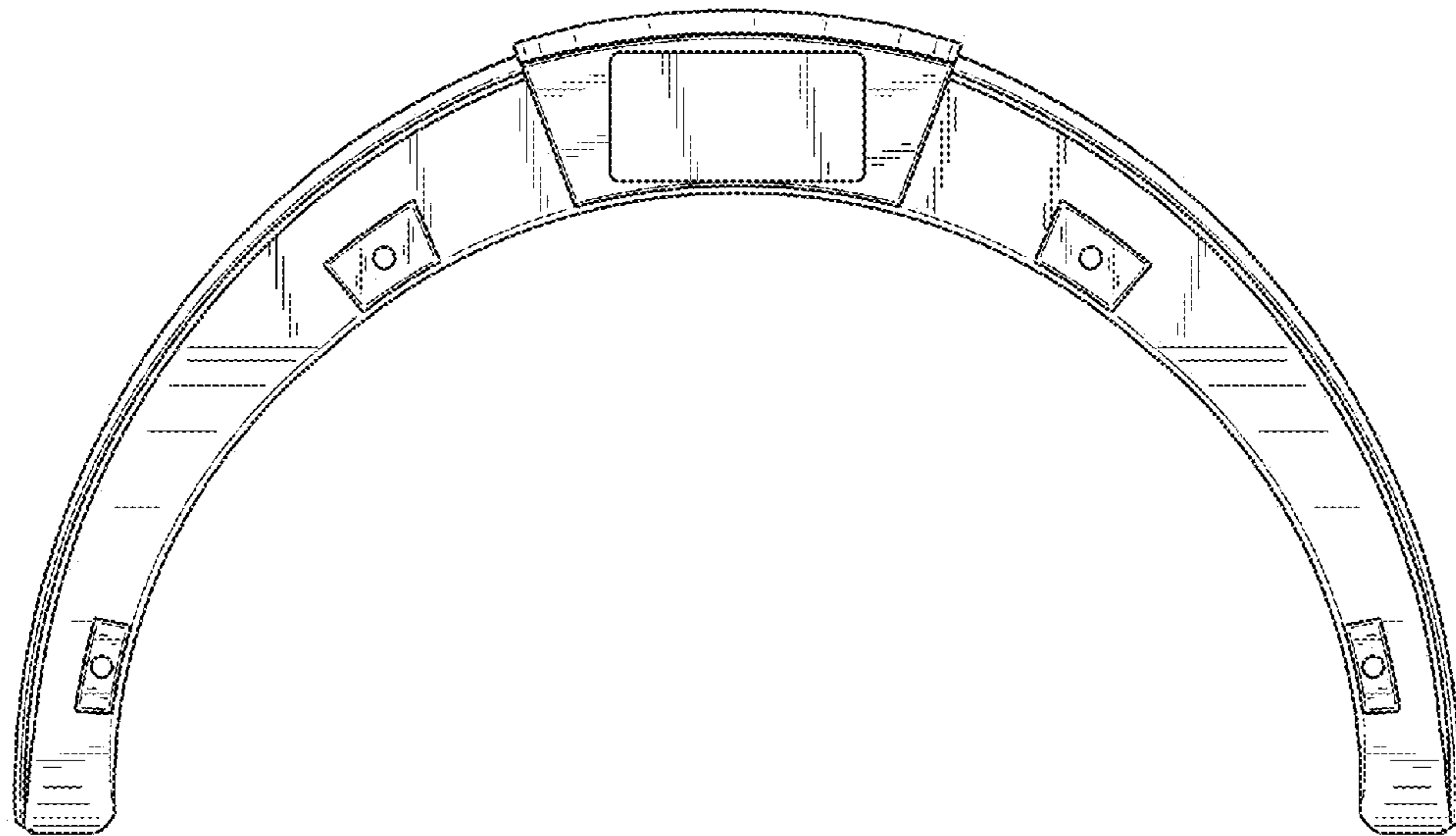


FIG. 6