



US00D738040S

(12) **United States Design Patent**
Goodwin et al.

(10) **Patent No.:** **US D738,040 S**

(45) **Date of Patent:** **** Sep. 1, 2015**

(54) **DOUBLE FACE HAIR BARRETTE**

(56) **References Cited**

(71) Applicant: **Rozalynn B. Goodwin**, Columbia, SC (US)

U.S. PATENT DOCUMENTS

(72) Inventors: **Rozalynn B. Goodwin**, Columbia, SC (US); **Robert Gibson**, Charlotte, NC (US); **Matt Green**, Charlotte, NC (US)

D276,274 S *	11/1984	Bezanson et al.	D28/42
D318,540 S *	7/1991	Carter	D28/42
D342,769 S *	12/1993	Stangl	D21/585
5,857,469 A *	1/1999	Sowell	132/275
6,024,102 A *	2/2000	Huang	132/273
D492,197 S *	6/2004	Pearson et al.	D9/451
D494,340 S *	8/2004	Baumhogger et al.	D99/34
6,981,507 B2 *	1/2006	Gabriele-Baumann	132/275
D540,602 S *	4/2007	Tascoe	D6/580

(73) Assignee: **GABBY, LLC**, Columbia, SC (US)

* cited by examiner

(**) Term: **14 Years**

Primary Examiner — Zenia Bennett

(21) Appl. No.: **29/472,226**

(74) *Attorney, Agent, or Firm* — Amy Allen Hinson; Nexsen Pruet, LLC

(22) Filed: **Nov. 11, 2013**

(51) **LOC (10) Cl.** **28-03**

(57) **CLAIM**

I claim the ornamental design for a double faced hair barrette, substantially as shown and described.

(52) **U.S. Cl.**

DESCRIPTION

USPC **D28/42**

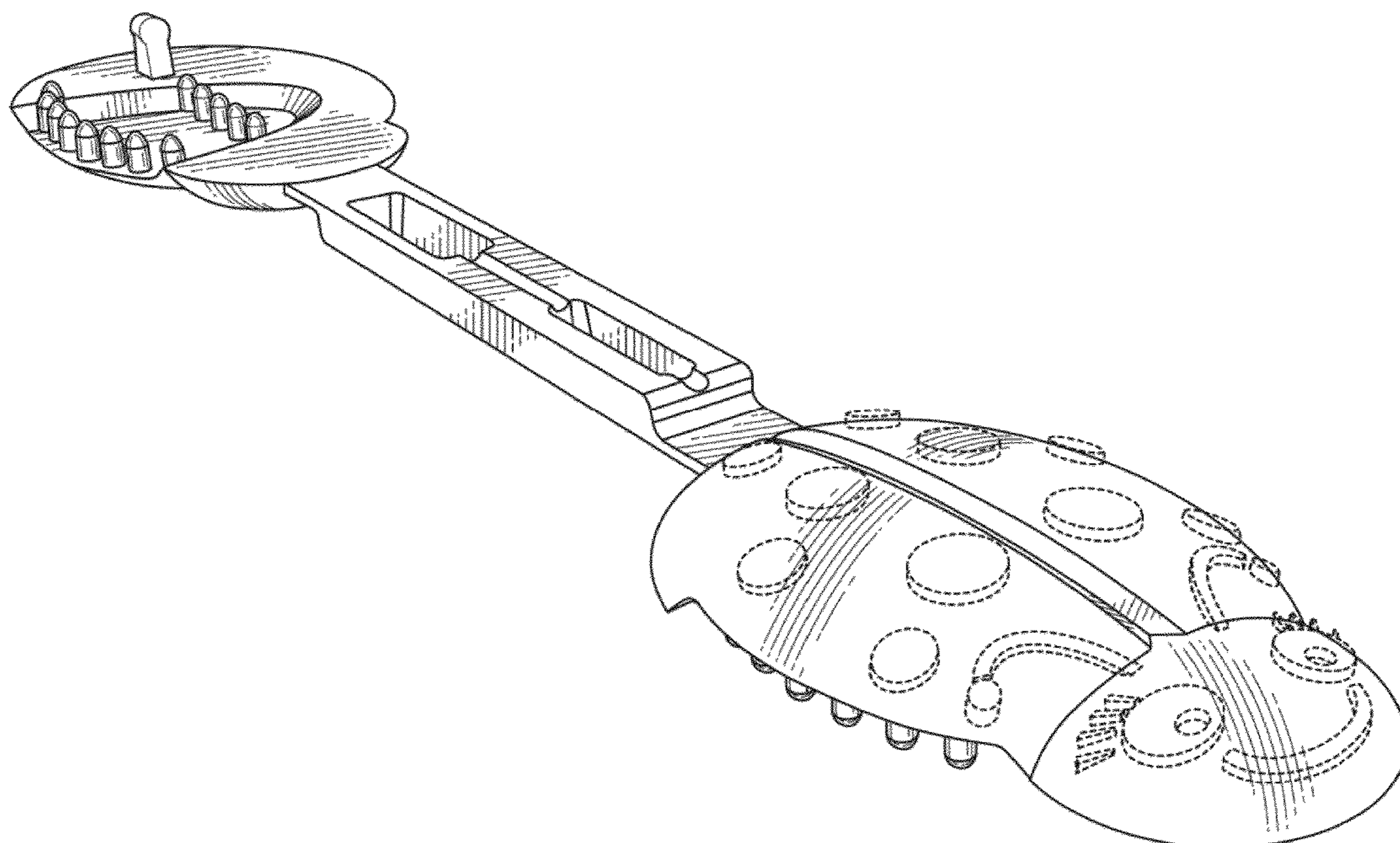
(58) **Field of Classification Search**

USPC D28/21–34, 39–43; 132/101, 126, 132/128–131, 144, 148, 219, 275–284

CPC A45D 8/24; A45D 8/00; A45D 8/02; A45D 8/04; A45D 8/06; A45D 8/08; A45D 8/10; A45D 8/12; A45D 8/14; A45D 8/16; A45D 8/18; A45D 8/20; A45D 8/22; A45D 8/26; A45D 8/28; A45D 8/30; A45D 8/32; A45D 8/34

See application file for complete search history.

1 Claim, 3 Drawing Sheets



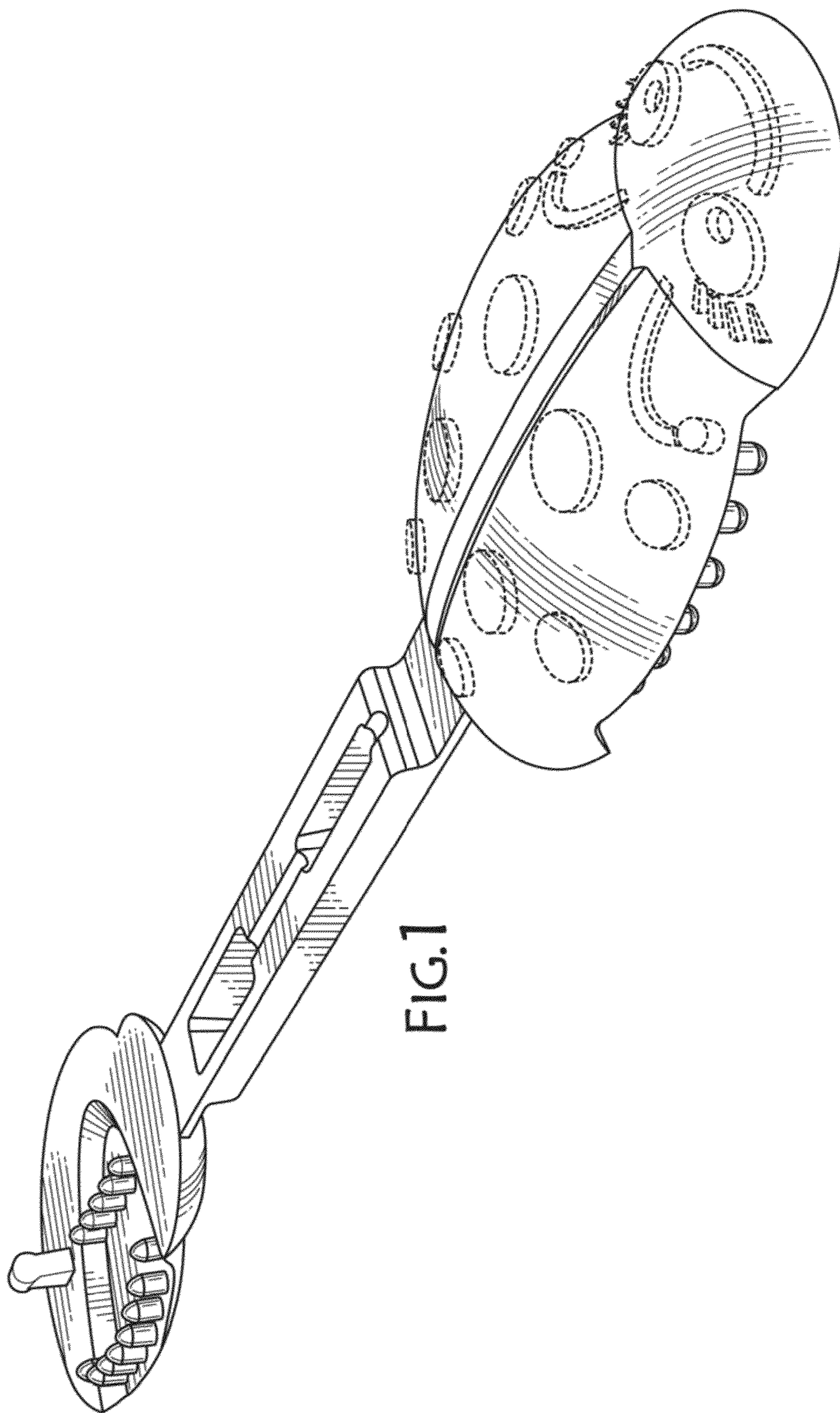


FIG.1

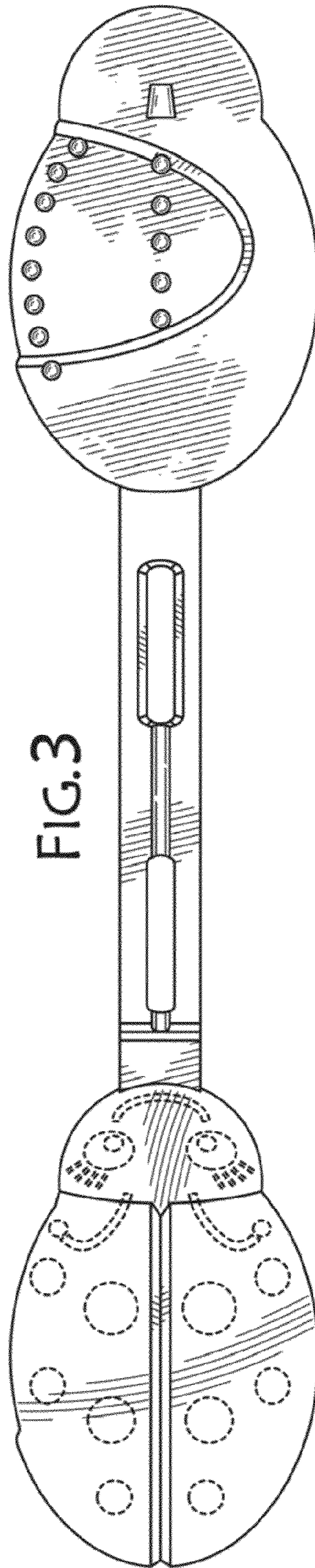
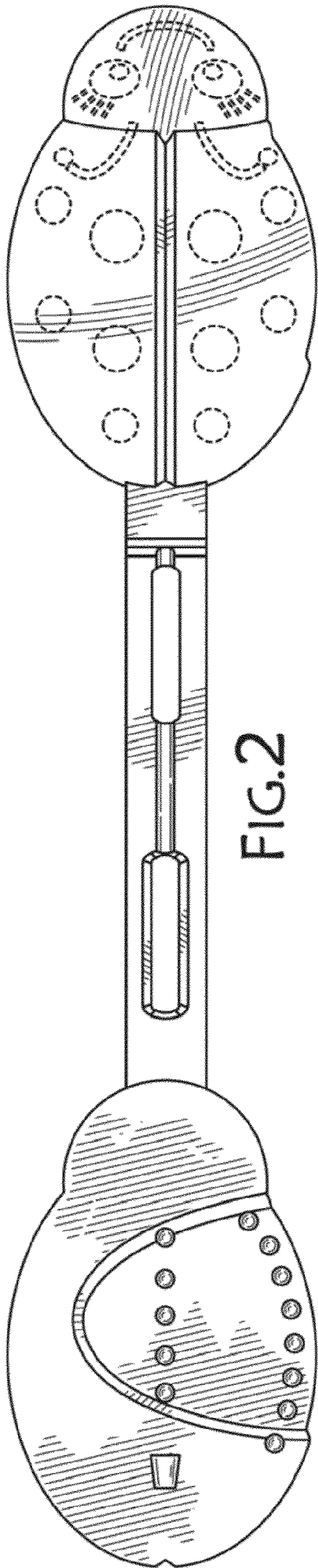


FIG.4

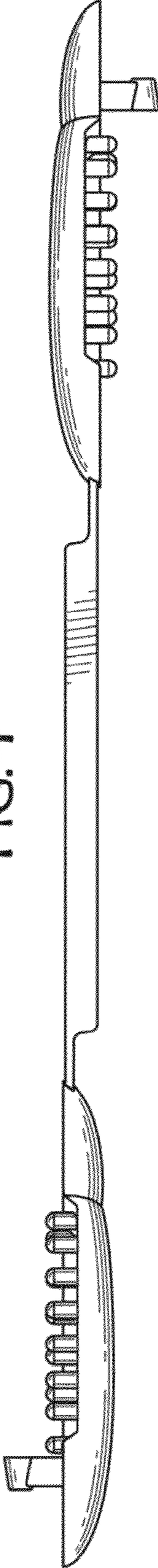


FIG.5

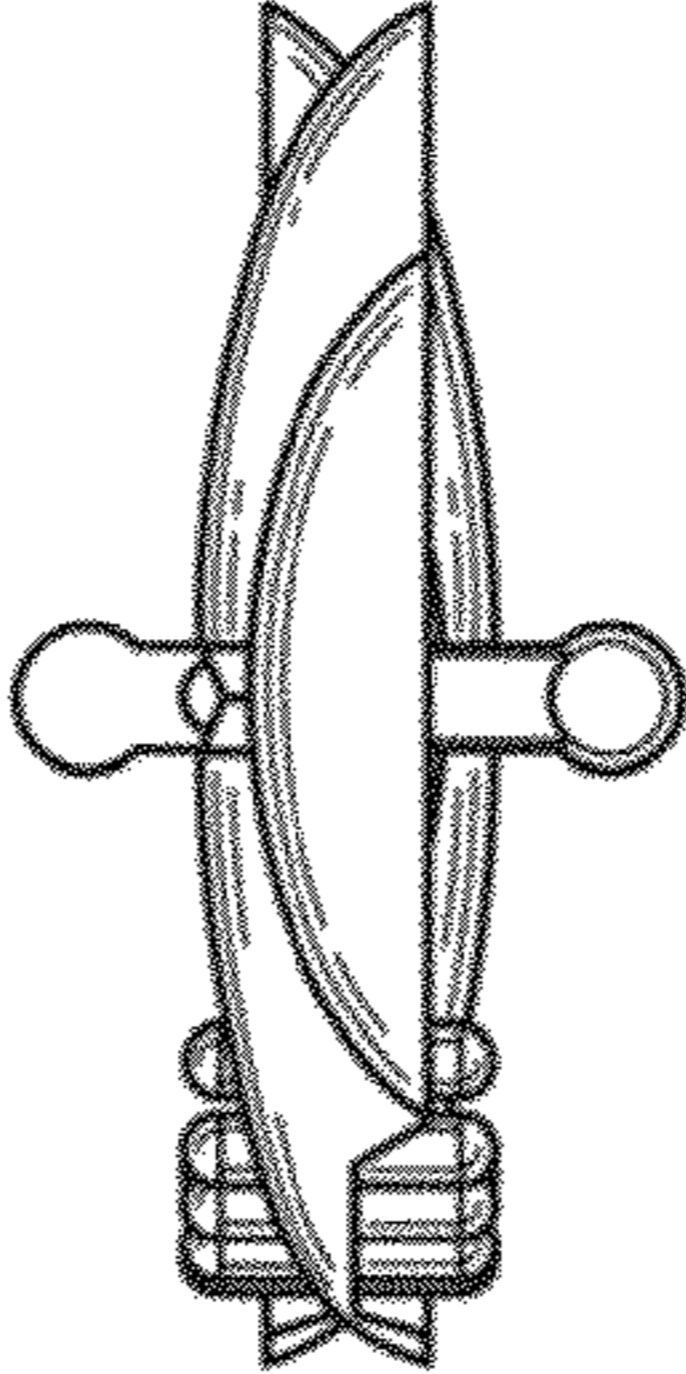
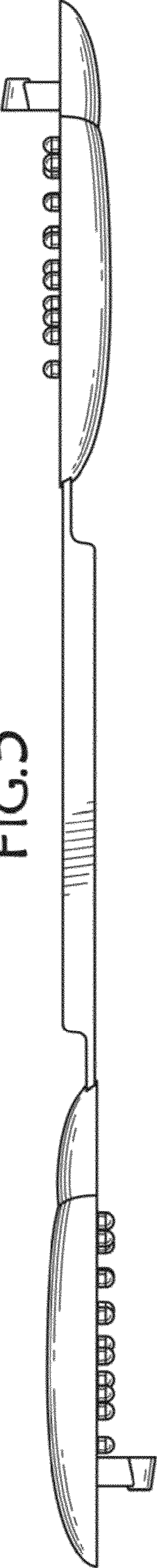


FIG.6

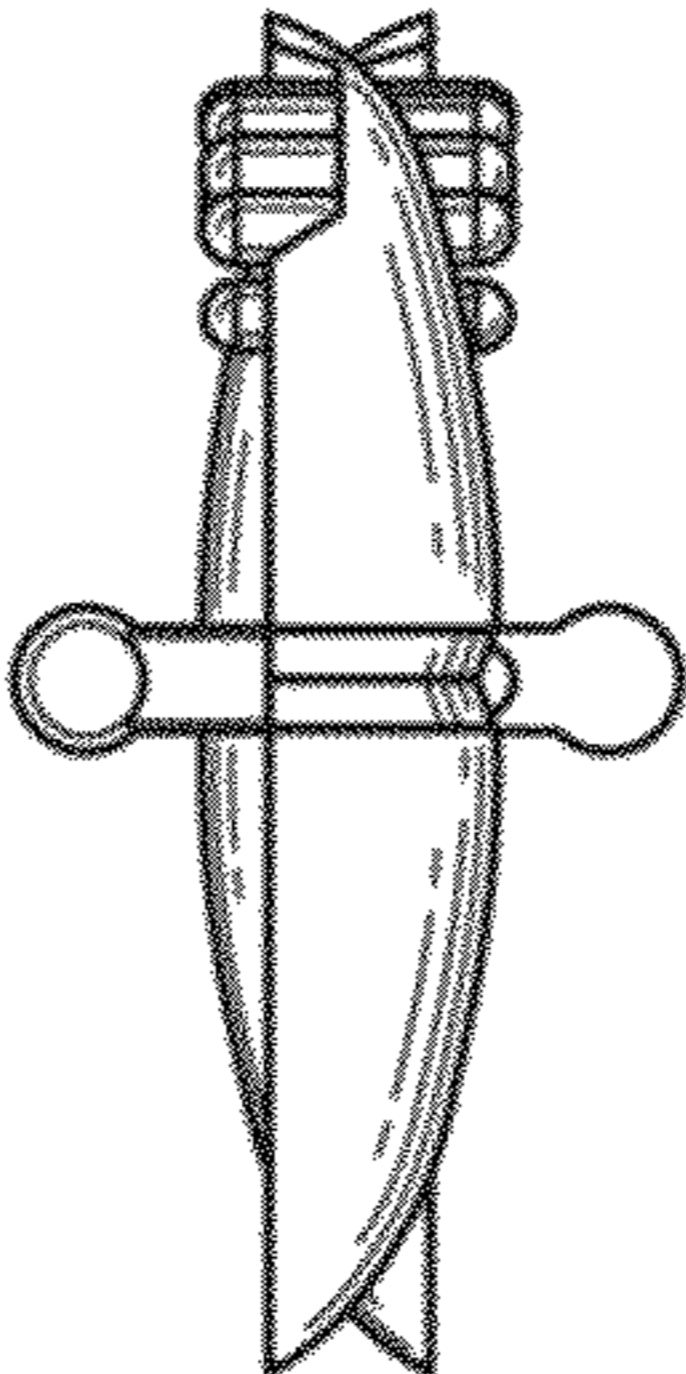


FIG.7