



US00D738039S

(12) **United States Design Patent**
Chen et al.

(10) **Patent No.:** **US D738,039 S**
(45) **Date of Patent:** **** Sep. 1, 2015**

(54) **ELECTRONIC CIGARETTE DESKTOP
HOLDER**

(71) Applicants: **Michael Chen**, Irvine, CA (US); **Wen Wei**, San Ramon, CA (US); **Billy Chen**, Irvine, CA (US)

(72) Inventors: **Michael Chen**, Irvine, CA (US); **Wen Wei**, San Ramon, CA (US); **Billy Chen**, Irvine, CA (US)

(**) Term: **14 Years**

(21) Appl. No.: **29/469,013**

(22) Filed: **Oct. 4, 2013**

(51) **LOC (10) Cl.** **27-06**

(52) **U.S. Cl.**
USPC **D27/183**

(58) **Field of Classification Search**
USPC D27/102–105, 108–111, 118, 123–129, D27/133–134, 137, 138, 141, 144, 152, 153, D27/157, 160, 172–194; D9/420, 423, 456, D9/504, 529, 545, 686, 688, 524, 737, 741, D9/746, 756, 758; D13/108; 206/242, 249, 206/250, 256, 259, 261, 264, 265, 267, 206/268; D3/206, 273, 294, 319; 131/231, 131/240, 241, 242, 242.5, 270–273, 131/329–330, 347; D7/513, 541, 701; D8/356, 357, 380, 383, 396; D6/552
CPC A24F 13/14; A24F 9/16; A24F 15/00; A24F 15/12; A24F 15/14; A24F 15/18; A24F 15/005; A24F 15/20; A24F 23/00; A24F 23/04; A24F 15/02; A24F 15/08; A24F 21/00; B60N 3/12

See application file for complete search history.

(56) **References Cited**

U.S. PATENT DOCUMENTS

| | | | | |
|---------------|---------|----------------|-------|----------|
| D55,496 S * | 6/1920 | White | | D7/590 |
| D90,131 S * | 6/1933 | Verity | | D27/108 |
| 2,061,139 A * | 11/1936 | Cohen | | 206/489 |
| D122,774 S * | 10/1940 | Frederick | | D7/553.4 |
| D127,563 S * | 6/1941 | Cloutier | | D7/701 |
| D145,573 S * | 9/1946 | Frank | | D27/129 |
| D177,070 S * | 3/1956 | Saunders | | D27/127 |
| D201,695 S * | 7/1965 | Bieger | | D7/705 |
| 3,478,457 A * | 11/1969 | Watkins | | 40/324 |
| D249,564 S * | 9/1978 | Sackett et al. | | D27/134 |
| D282,128 S * | 1/1986 | Bell et al. | | D6/682.2 |
| D345,512 S * | 3/1994 | Gaenzle | | D10/64 |
| D359,127 S * | 6/1995 | Biesecker | | D24/227 |
| D381,515 S * | 7/1997 | Haynes | | D3/313 |
| D496,844 S * | 10/2004 | Winig et al. | | D8/71 |
| D499,029 S * | 11/2004 | Maarberg | | D10/46.3 |
| D589,626 S * | 3/2009 | Petersen | | D24/230 |
| D699,085 S * | 2/2014 | Reid, Jr. | | D7/701 |

* cited by examiner

Primary Examiner — Susan Bennett Hattan

Assistant Examiner — Janice Hallmark

(74) *Attorney, Agent, or Firm* — QuickPatents; Kevin Prince

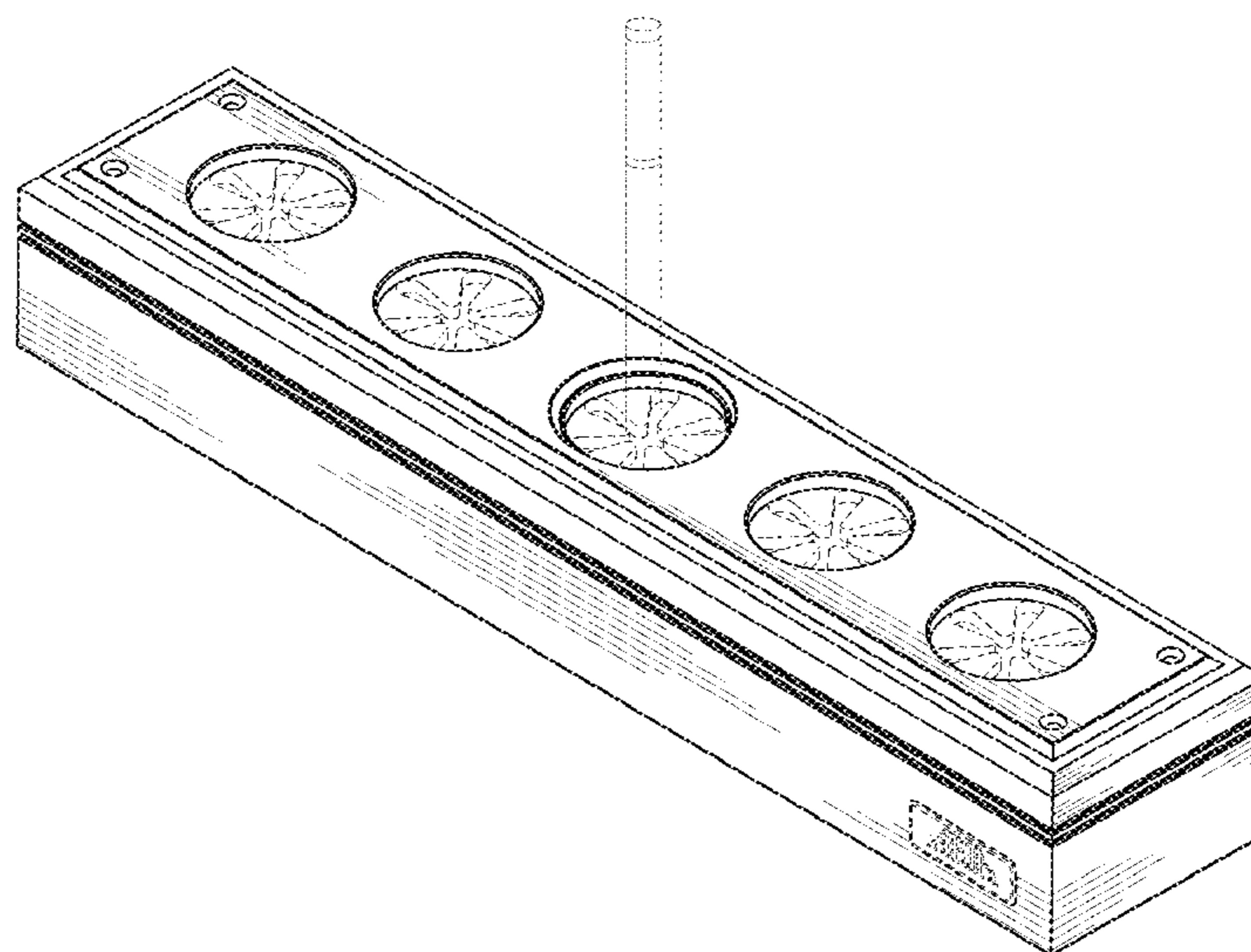
(57) **CLAIM**

We claim the ornamental design for an electronic cigarette desktop holder, as shown and described.

DESCRIPTION

FIG. 1 is a front perspective view of an electronic cigarette desktop holder, showing our new design; FIG. 2 is a left-side elevational view thereof, the right-side elevational view being a mirror image thereof; FIG. 3 is a front elevational view thereof; FIG. 4 is a rear elevational view thereof; FIG. 5 is a top plan view thereof; and, FIG. 6 is a bottom plan view thereof. The broken lines depicting an electronic cigarette in FIG. 1 and rubber gasketes and a logo in the figures depict environmental matter and form no part of the claimed design.

1 Claim, 2 Drawing Sheets



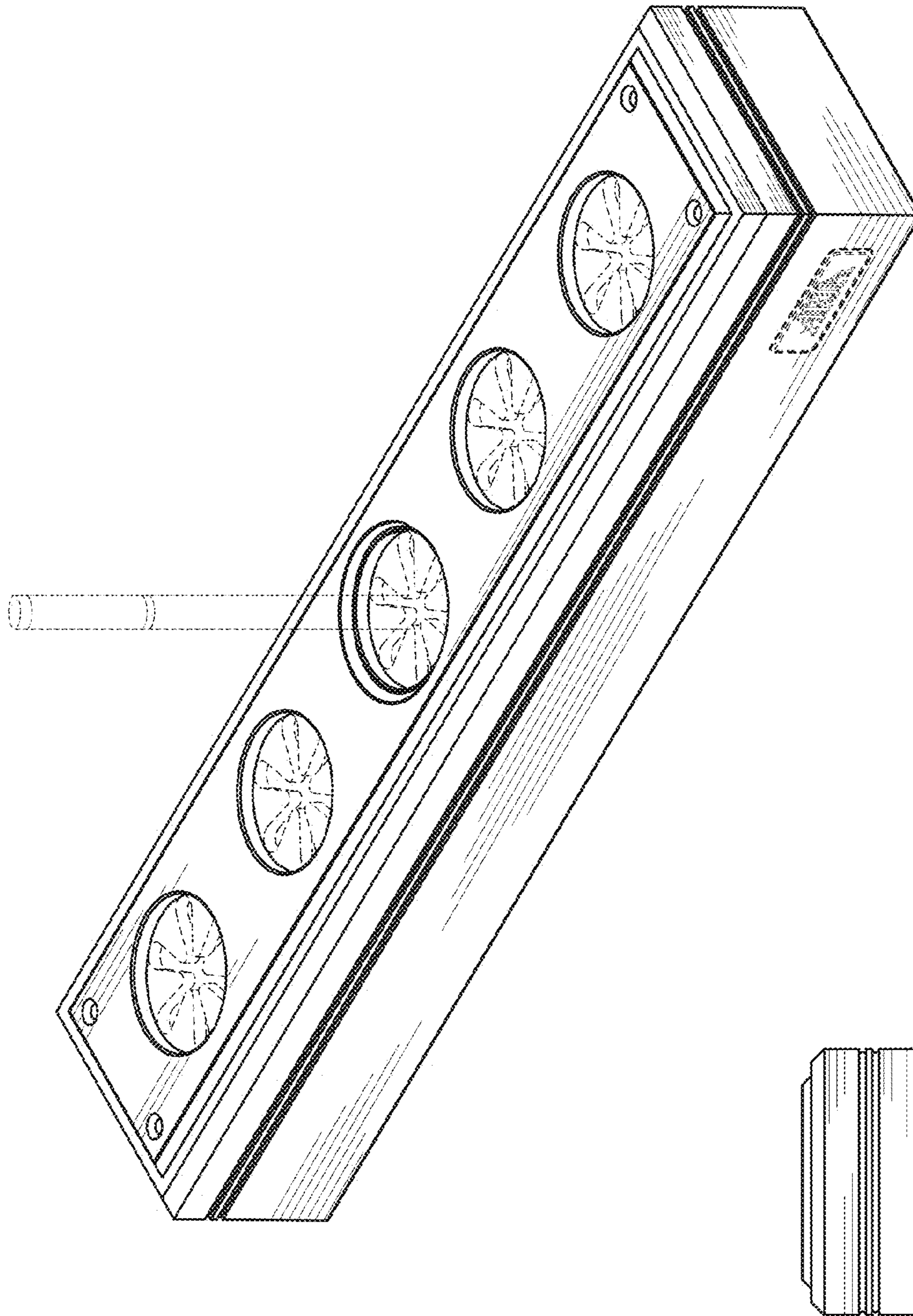


FIG. 1

FIG. 2

FIG. 3

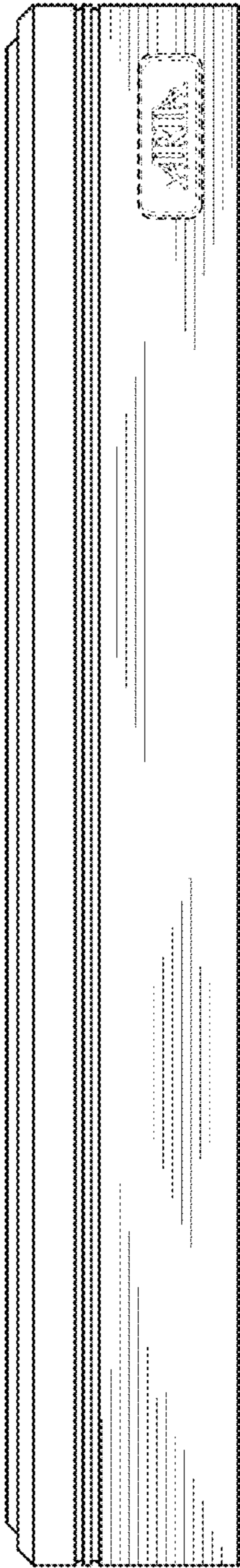


FIG. 4

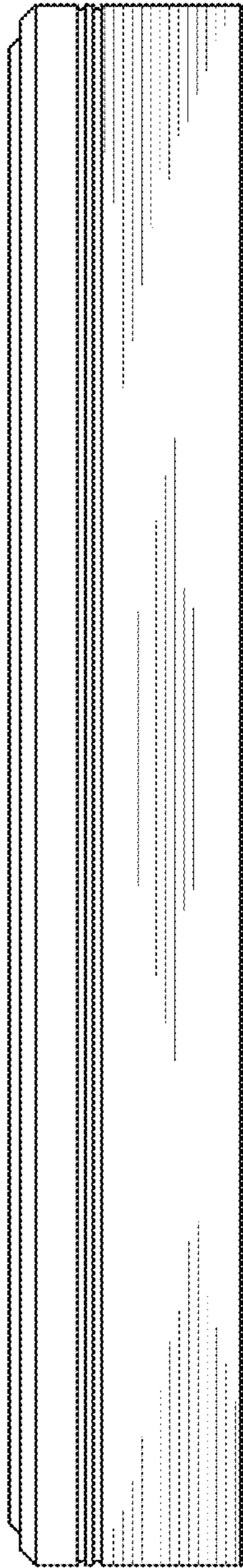


FIG. 5

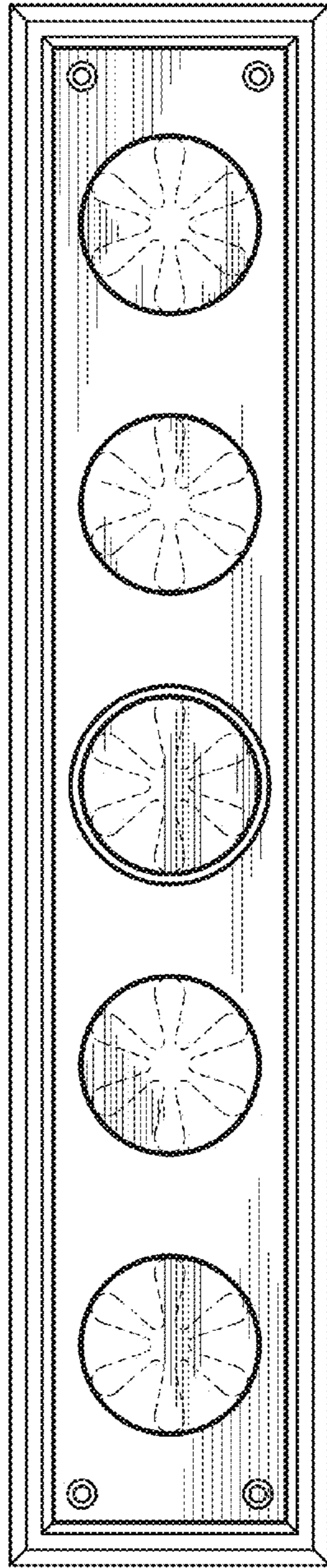


FIG. 6

