



US00D738038S

(12) **United States Design Patent**
Smith

(10) **Patent No.:** **US D738,038 S**

(45) **Date of Patent:** **** Sep. 1, 2015**

(54) **MOUTHPIECE FOR A VAPORIZER DEVICE**

(71) Applicant: **Cortney Smith**, Las Vegas, NV (US)

(72) Inventor: **Cortney Smith**, Las Vegas, NV (US)

(**) Term: **14 Years**

(21) Appl. No.: **29/470,444**

(22) Filed: **Oct. 22, 2013**

(51) **LOC (10) Cl.** **27-02**

(52) **U.S. Cl.**
USPC **D27/170**

(58) **Field of Classification Search**
USPC D27/101, 162, 163, 167, 169, 170, 172,
D27/183, 193, 194; 131/71, 76, 175, 187,
131/191, 258, 270, 273, 361
CPC A24F 7/00; A24F 7/02; A24F 7/04
See application file for complete search history.

(56) **References Cited**

U.S. PATENT DOCUMENTS

1,422,578	A *	7/1922	Kattenberg	131/191
3,348,553	A *	10/1967	Huber	131/194
D239,947	S *	5/1976	Frost	D27/170
D246,602	S *	12/1977	Frost	D27/170
D292,324	S *	10/1987	Decker et al.	D27/170
D315,617	S *	3/1991	Boutte	D27/194
D347,490	S *	5/1994	Gee et al.	D27/194
D371,633	S *	7/1996	Chenard	D27/163
D537,930	S *	3/2007	Nelson	D23/366
D538,914	S *	3/2007	Nelson	D23/366

D547,440	S *	7/2007	Louet-Feisser	D24/110
D649,708	S *	11/2011	Oneil	D27/163
D652,571	S *	1/2012	Shenassa et al.	D27/163
D660,512	S *	5/2012	Aguirre et al.	D27/163
D690,002	S *	9/2013	Storey et al.	D24/110
D728,855	S *	5/2015	Liu	D27/163
2009/0283103	A1 *	11/2009	Nielsen et al.	131/273

* cited by examiner

Primary Examiner — Susan Bennett Hattan

Assistant Examiner — Janice Hallmark

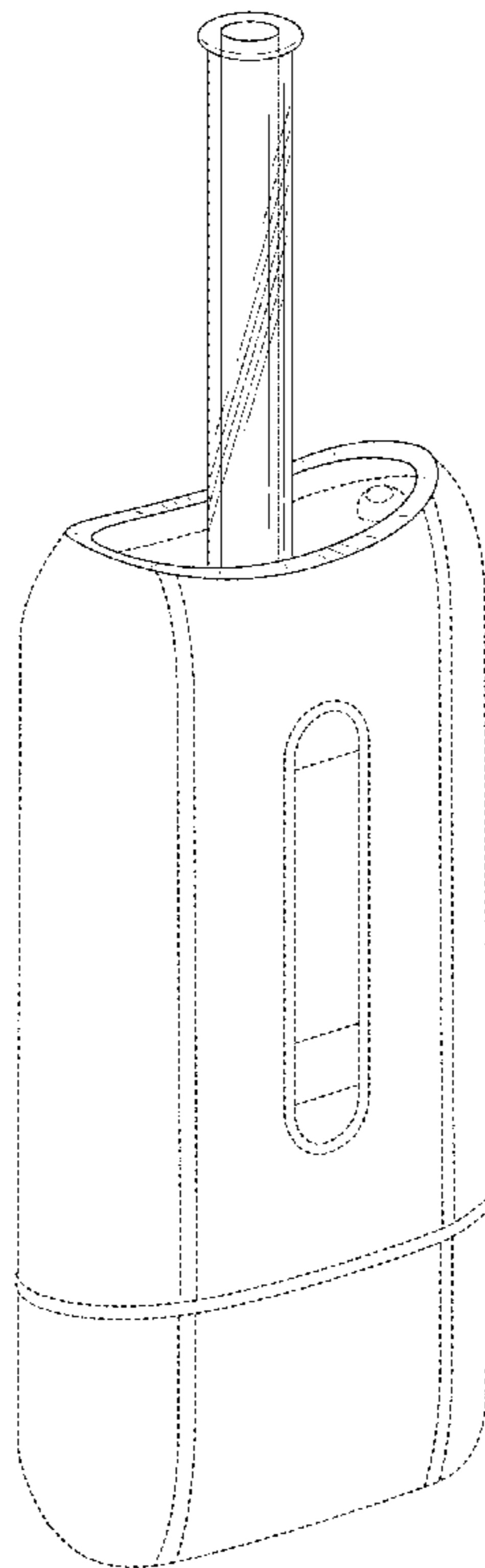
(57) **CLAIM**

The ornamental design for a mouthpiece for a vaporizer device, as shown and described.

DESCRIPTION

FIG. 1 is a perspective view of a mouthpiece for a vaporizer device showing my new design;
 FIG. 2 is a front elevational view showing the design for the mouthpiece for the vaporizer device of FIG. 1;
 FIG. 3 is a rear elevational view showing the design for the mouthpiece for the vaporizer device of FIG. 1;
 FIG. 4 is a top plan view showing the design for the mouthpiece for the vaporizer device of FIG. 1;
 FIG. 5 is a bottom plan view showing the design for the mouthpiece for the vaporizer device of FIG. 1;
 FIG. 6 is a right side elevational view showing the design for the mouthpiece for the vaporizer device of FIGS. 1; and,
 FIG. 7 is a left side elevational view showing the design for the mouthpiece for the vaporizer device of FIG. 1.
 The broken line showing of portions of the mouthpiece for the vaporizer device in FIGS. 1-7 is included for environmental purposes only and forms no part of the claimed design.

1 Claim, 5 Drawing Sheets



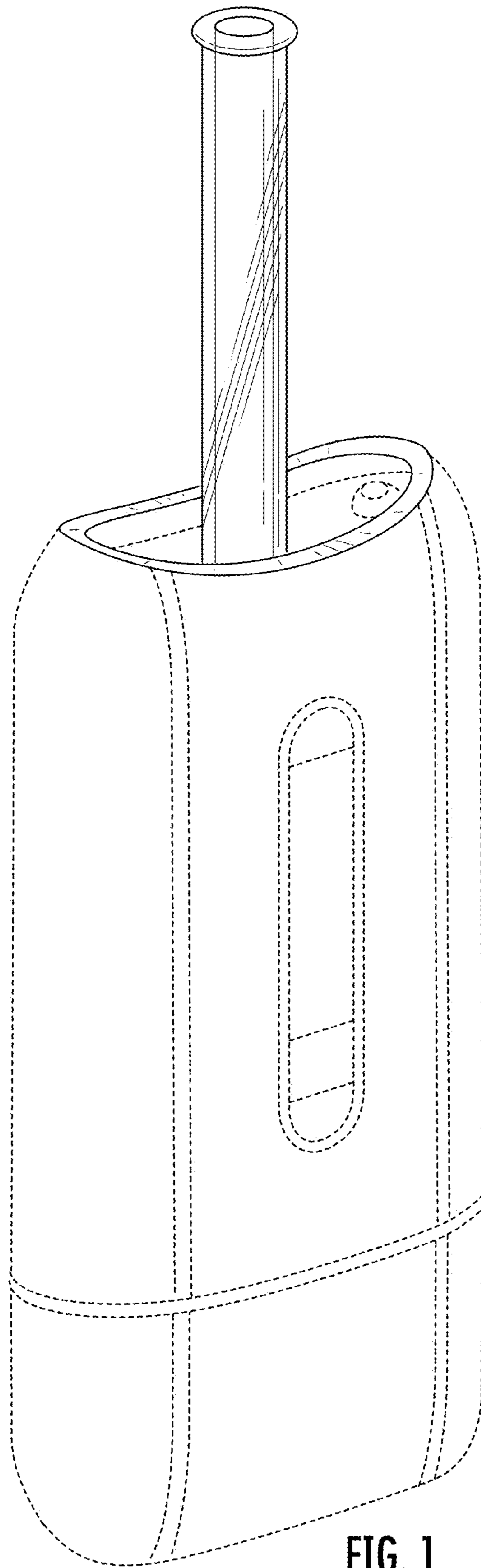


FIG. 1

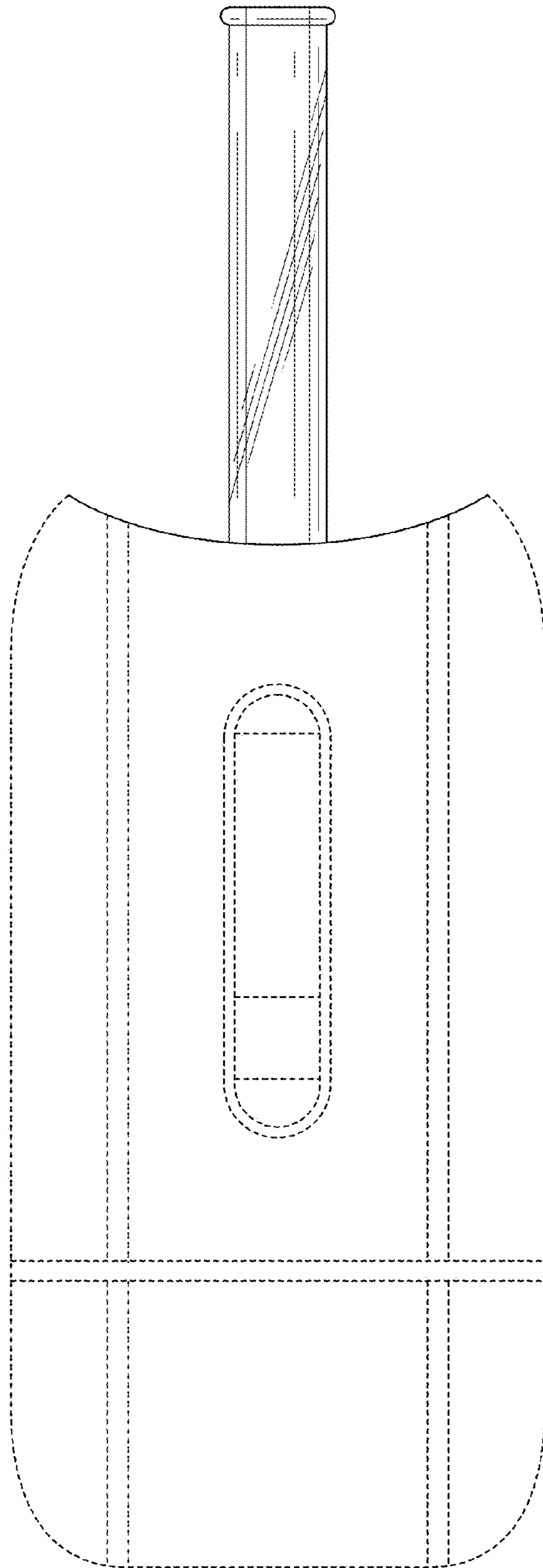


FIG. 2

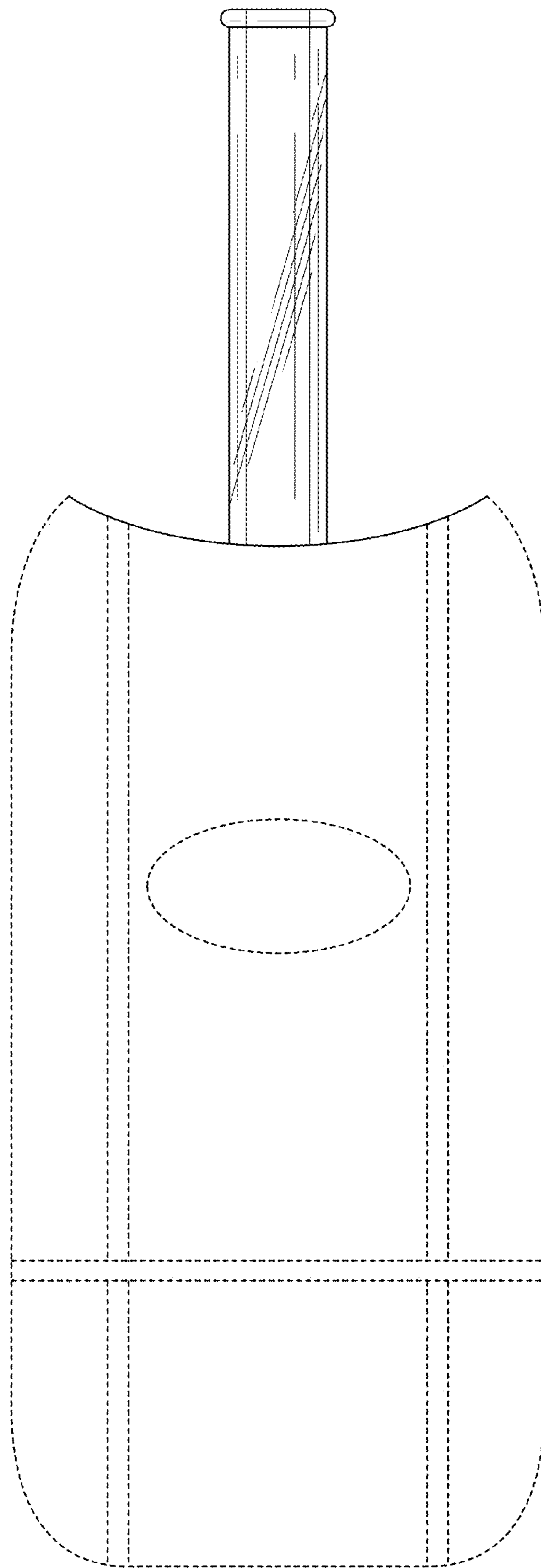


FIG. 3

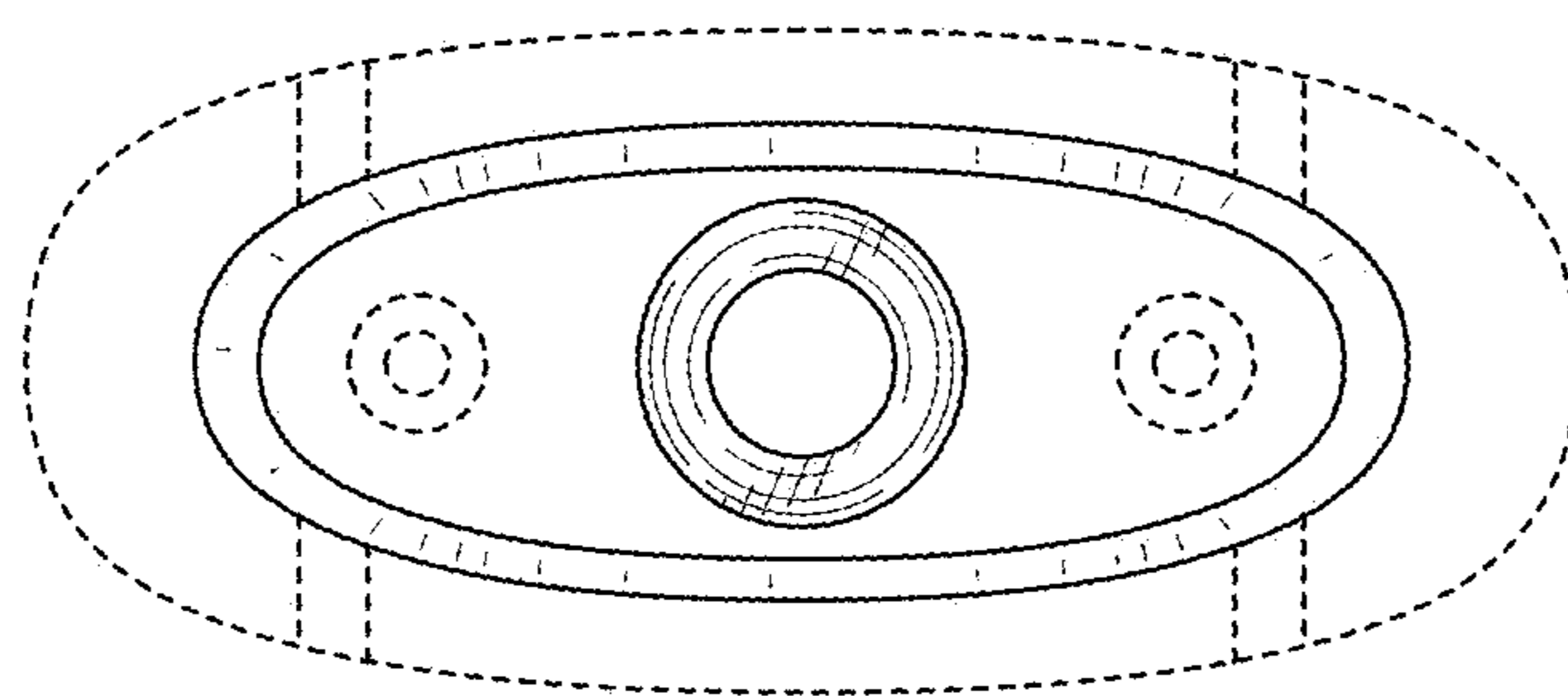


FIG. 4

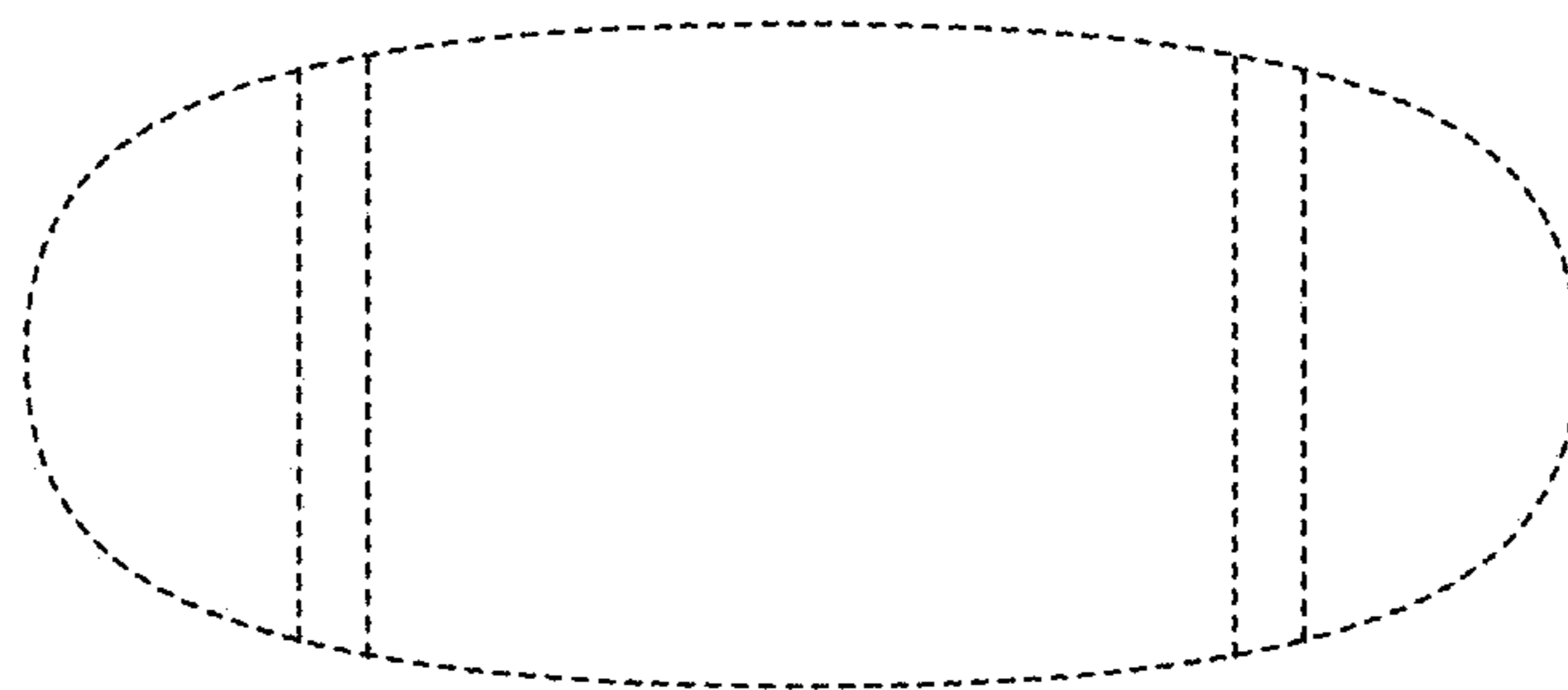


FIG. 5

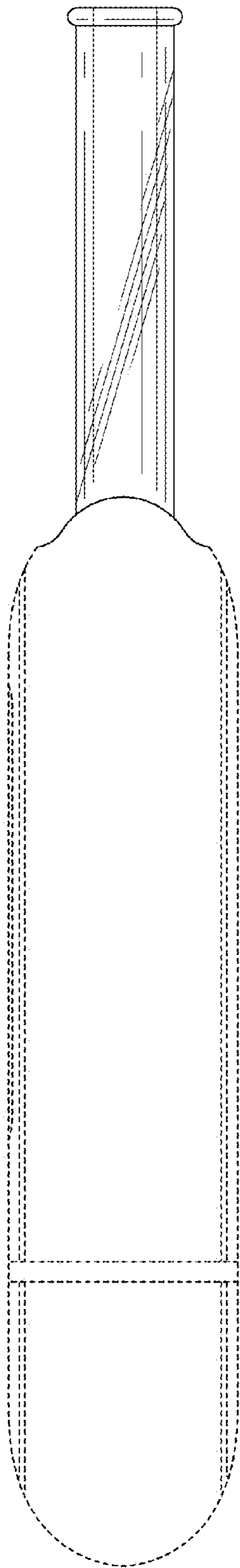


FIG. 6

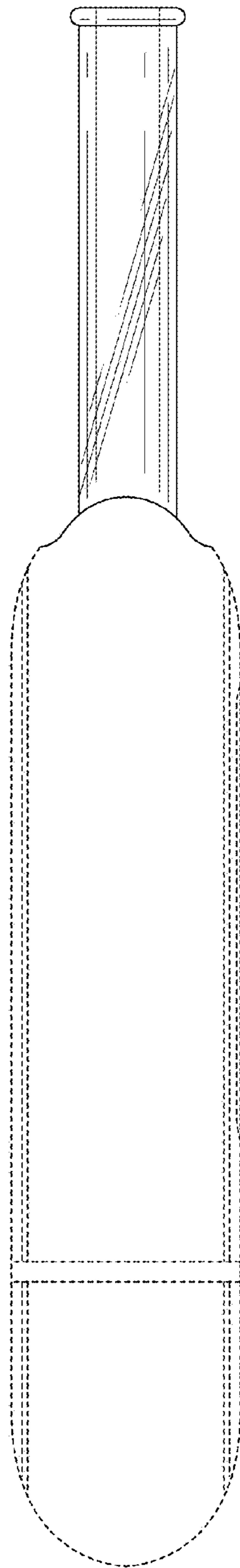


FIG. 7