



US00D738037S

(12) **United States Design Patent**
Zayat

(10) **Patent No.:** **US D738,037 S**

(45) **Date of Patent:** **** Sep. 1, 2015**

(54) **HOLDER**

(71) Applicant: **KUL4U, Inc.**, Houston, TX (US)

(72) Inventor: **Hassan N. Zayat**, Houston, TX (US)

(73) Assignee: **KUL4U, Inc.**, Houston, TX (US)

(**) Term: **14 Years**

(21) Appl. No.: **29/473,743**

(22) Filed: **Nov. 25, 2013**

(51) **LOC (10) Cl.** **27-05**

(52) **U.S. Cl.**
USPC **D27/161**

(58) **Field of Classification Search**
USPC D3/215, 207-212; D27/142, 144, 148,
D27/161, 183; 220/490; 224/103, 162, 197,
224/251, 269, 604, 677, 901.8; D28/38;
206/37-38; D8/34

See application file for complete search history.

(56) **References Cited**

U.S. PATENT DOCUMENTS

| | | | | |
|-----------|------|---------|-----------------------|---------|
| 1,459,192 | A | 6/1923 | Bell | 220/490 |
| 1,574,223 | A * | 2/1926 | Wilcox | 220/490 |
| 2,520,818 | A | 8/1950 | Terry | 248/153 |
| 2,965,108 | A | 12/1960 | Schlatterer | 131/256 |
| 4,830,244 | A * | 5/1989 | Brannon | 224/103 |
| D373,849 | S * | 9/1996 | Passalacqua | D28/38 |
| 5,570,863 | A | 11/1996 | Cooper | 248/146 |
| D380,293 | S * | 7/1997 | Cudmore | D3/208 |
| 5,729,870 | A | 3/1998 | Sharp | 24/3.6 |
| 6,196,382 | B1 * | 3/2001 | Lenderman | 206/37 |
| 6,325,073 | B1 | 12/2001 | Di Maria Poole et al. | 132/275 |

| | | | | |
|--------------|------|---------|----------|---------|
| 6,382,481 | B1 * | 5/2002 | McIlmoil | 224/162 |
| D458,098 | S * | 6/2002 | Hastings | D8/34 |
| D465,709 | S * | 11/2002 | Robinson | D8/34 |
| D471,005 | S * | 3/2003 | Hastings | D3/215 |
| D537,199 | S * | 2/2007 | Poirier | D27/161 |
| D539,527 | S * | 4/2007 | Hastings | D3/215 |
| D539,528 | S * | 4/2007 | Hastings | D3/215 |
| D649,709 | S * | 11/2011 | Loman | D27/183 |
| 2006/0065684 | A1 | 3/2006 | Houcek | 224/269 |

* cited by examiner

Primary Examiner — Catheri Oliver-Garcia

(74) *Attorney, Agent, or Firm* — Culotta Law Firm, PLLC

(57) **CLAIM**

The ornamental design for a holder, as shown.

DESCRIPTION

A portion of the disclosure of this patent document contains material which is subject to copyright protection. The copyright owner has no objection to the facsimile reproduction by anyone of the patent document or the patent disclosure, as it appears in the Patent and Trademark Office patent file or records, but otherwise reserves all copyright rights whatsoever.

FIG. 1 is a front and side perspective view of the holder;

FIG. 2 is a front elevation view thereof;

FIG. 3 is a rear elevation view thereof;

FIG. 4 is a side elevation view thereof;

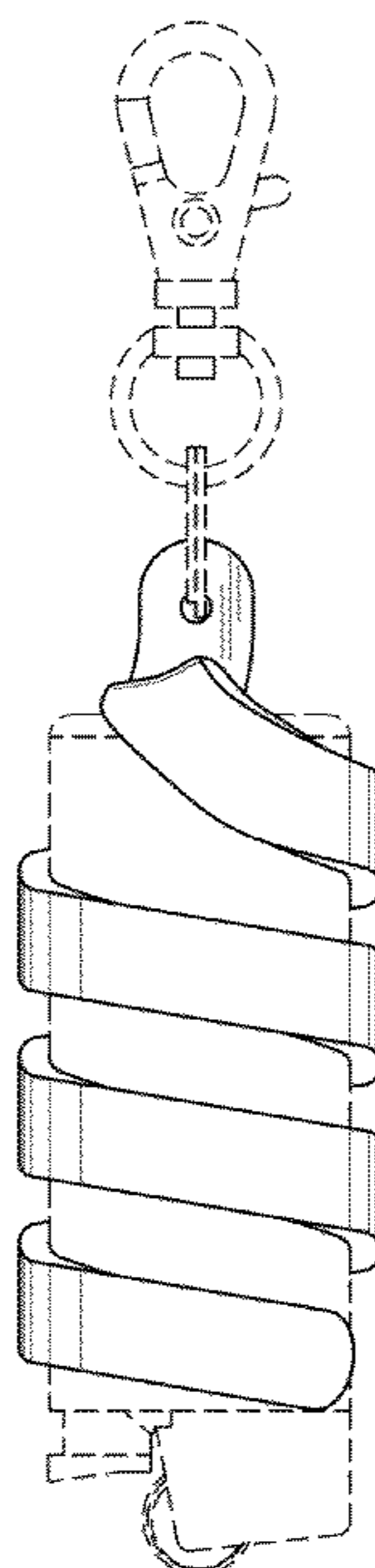
FIG. 5 is an opposite side elevation view thereof;

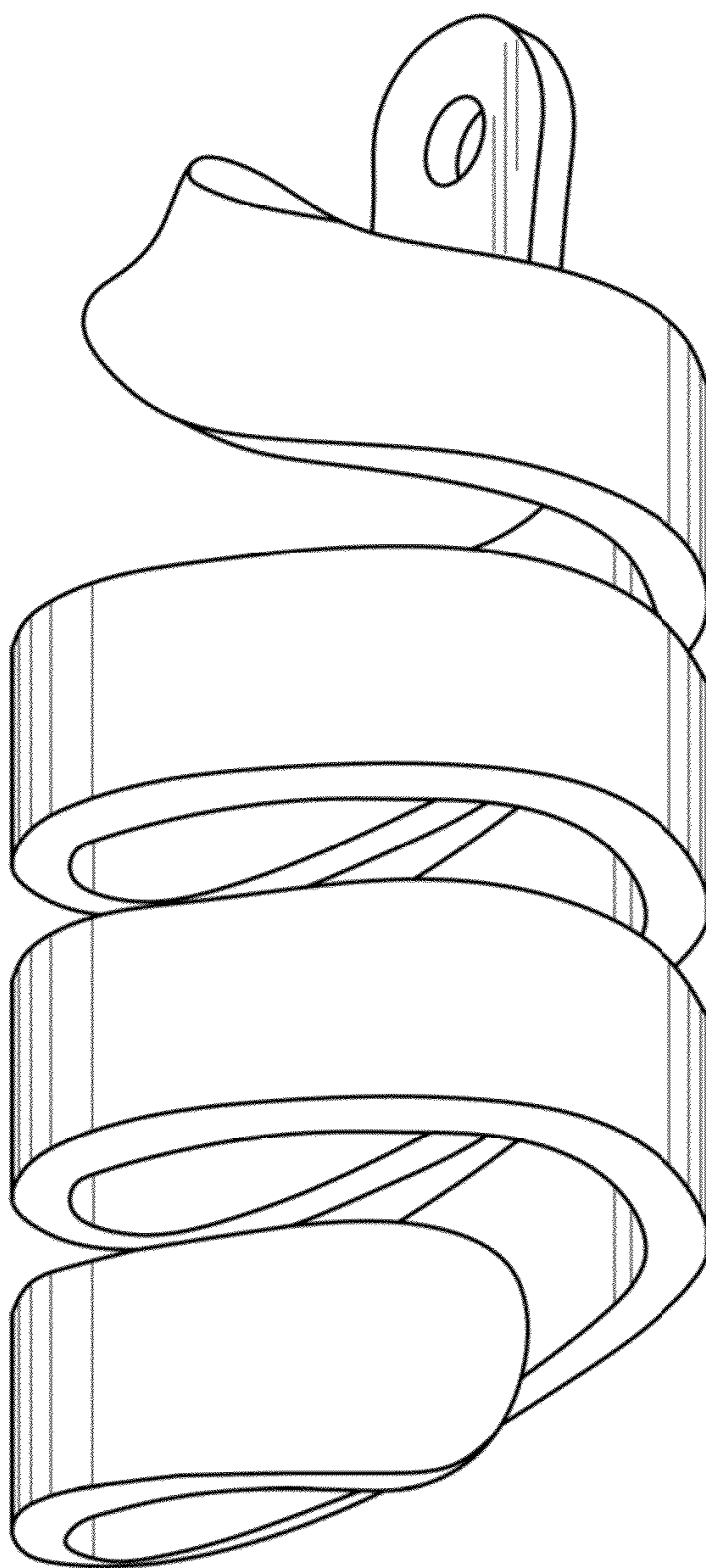
FIG. 6 is a top plan view;

FIG. 7 is a bottom plan view; and,

FIG. 8 is a front elevation view of the holder shown in use, the broken lines being for illustrative purposes only and forming no part of the claimed design.

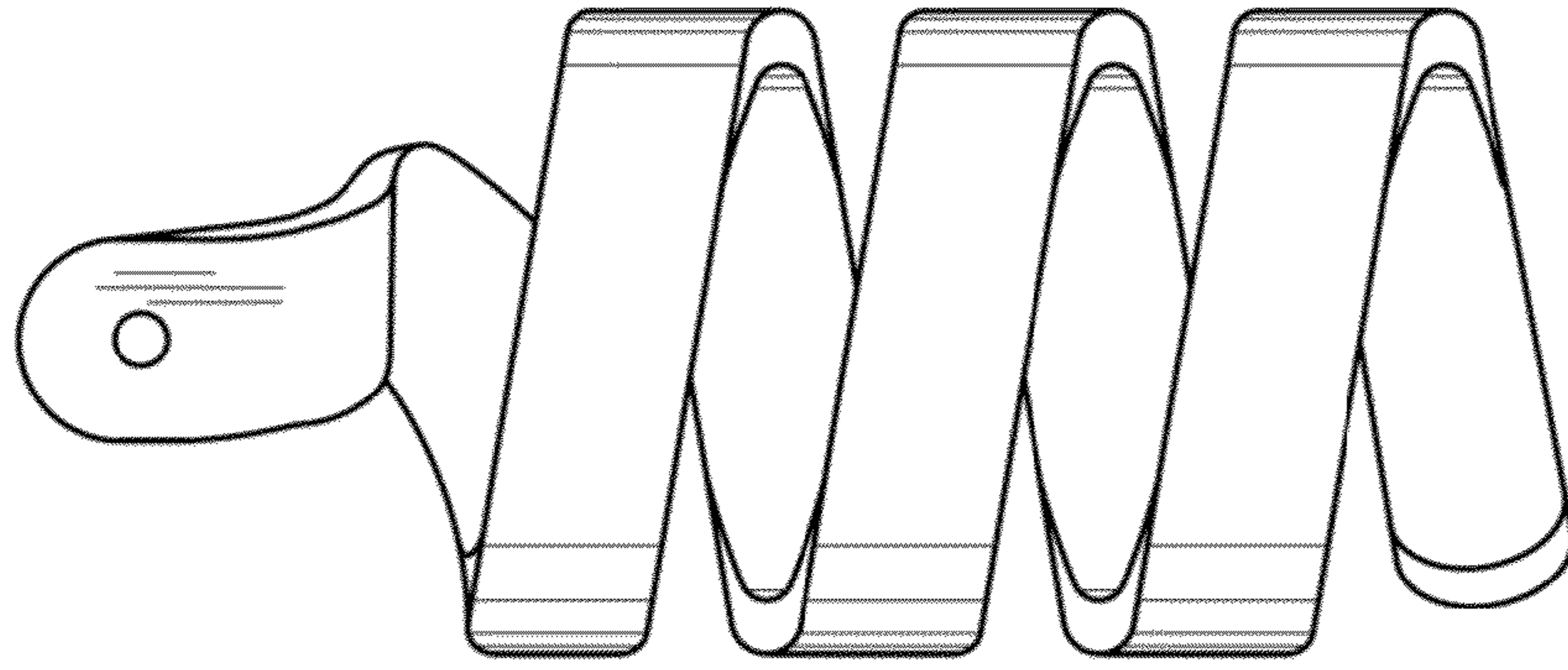
1 Claim, 5 Drawing Sheets





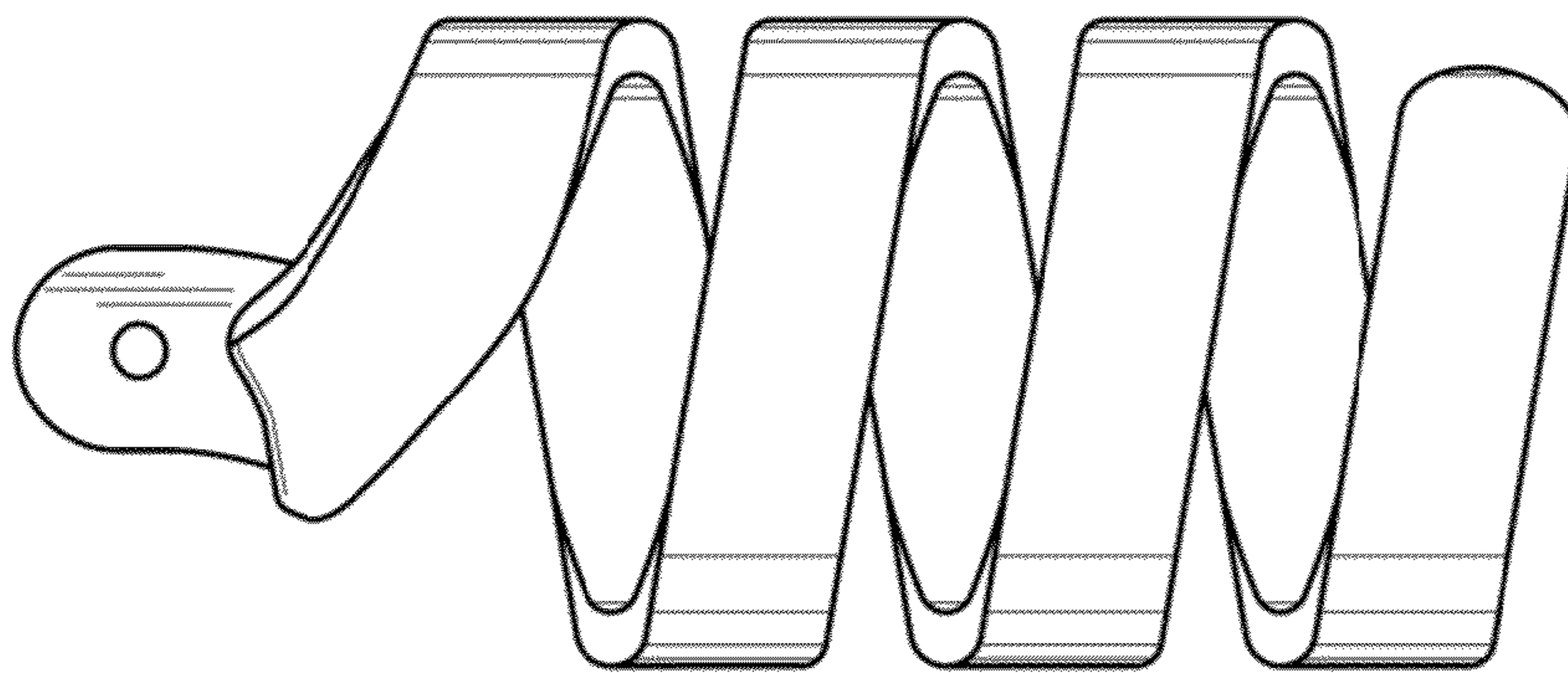
©2013 KUL4U, Inc.

FIG. 1



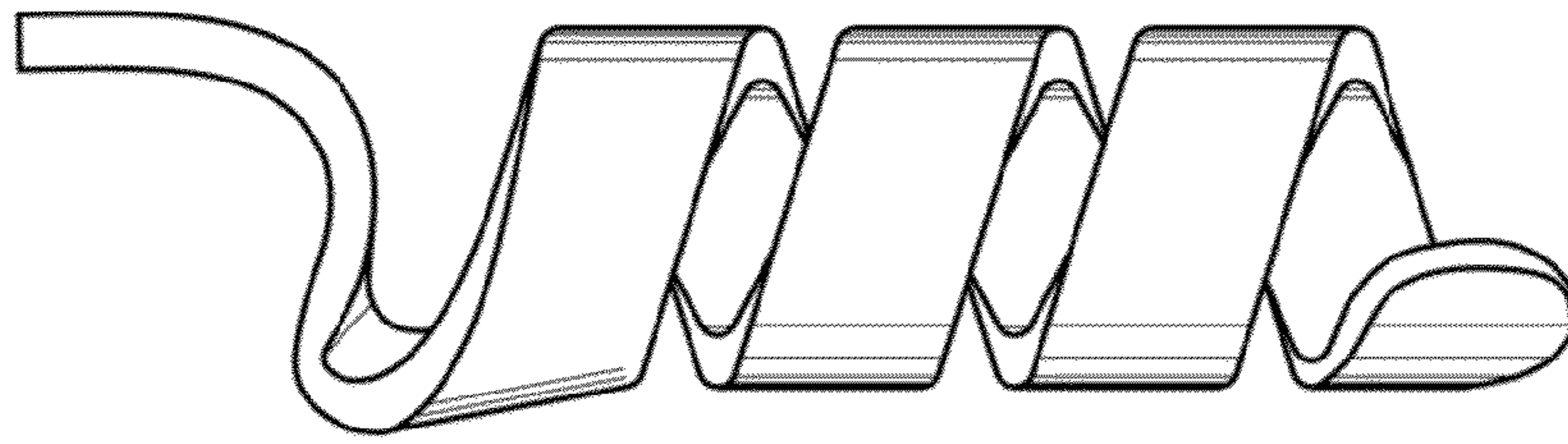
©2013 KUL4U, Inc.

FIG. 3



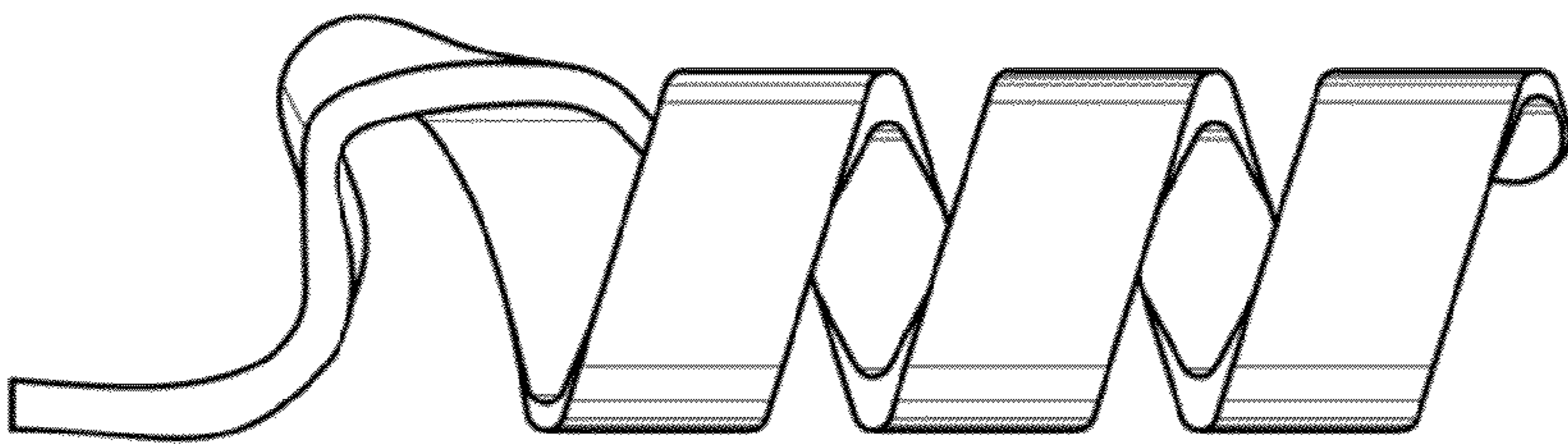
©2013 KUL4U, Inc.

FIG. 2



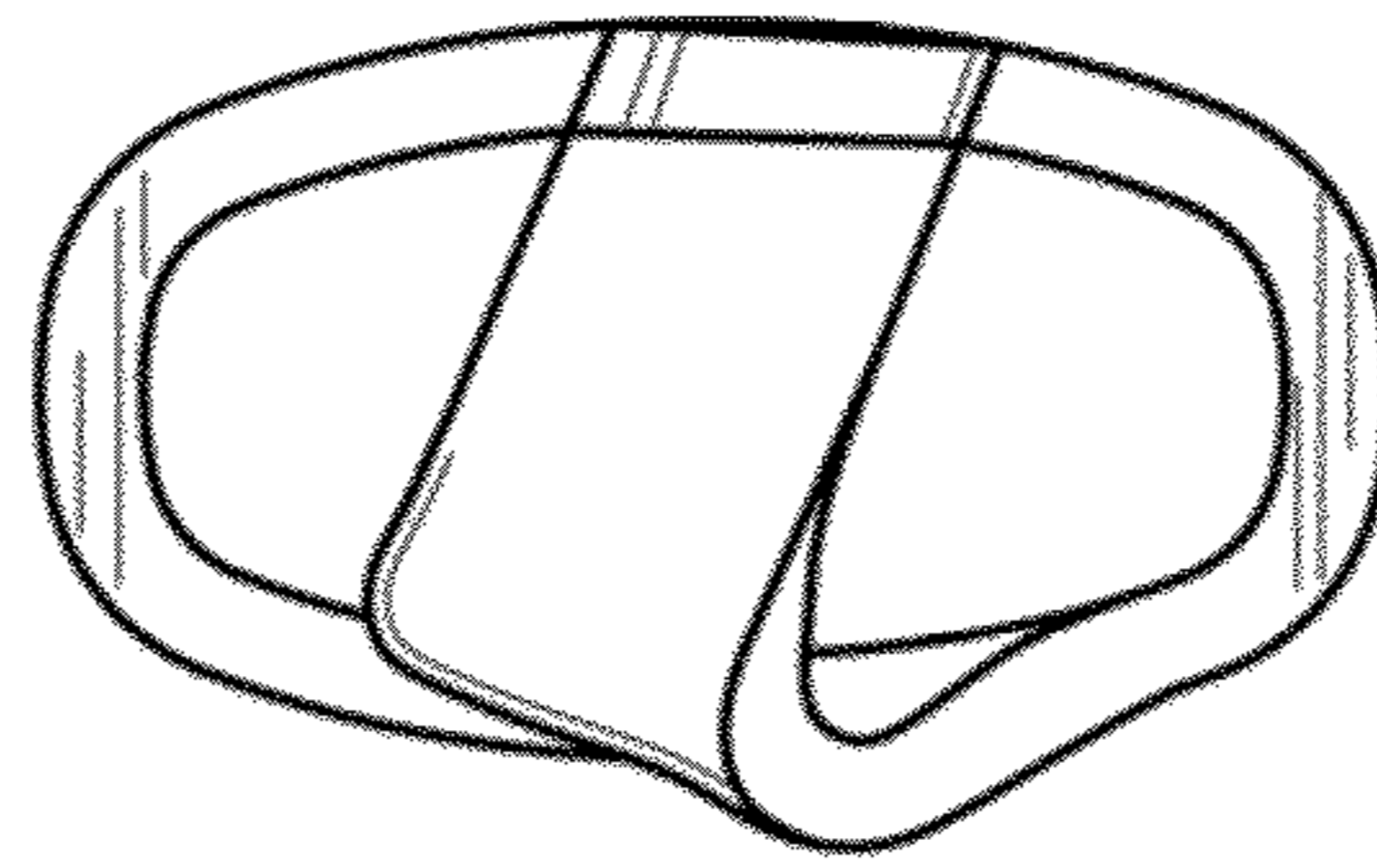
©2013 KUL4U, Inc.

FIG. 5



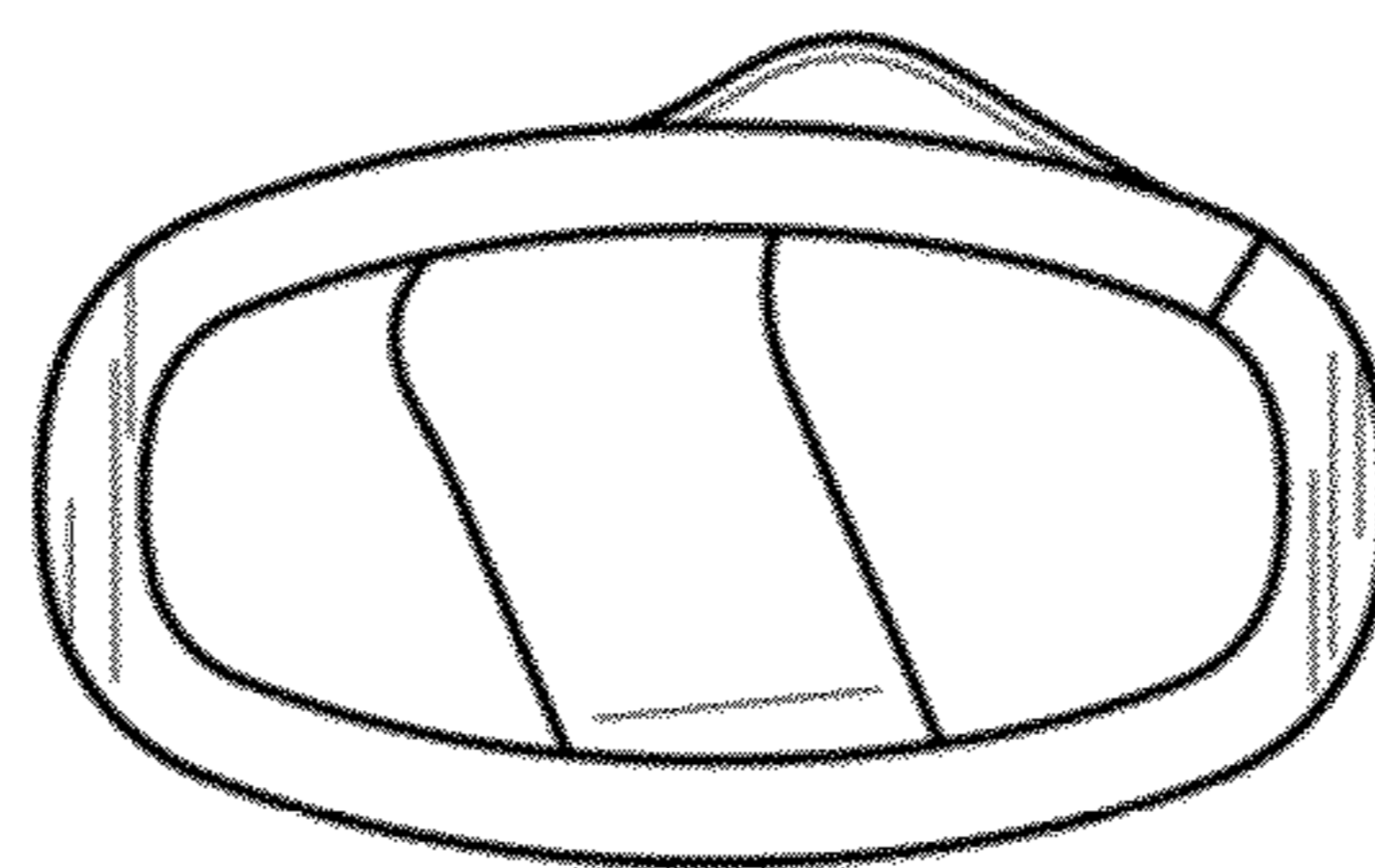
©2013 KUL4U, Inc.

FIG. 4



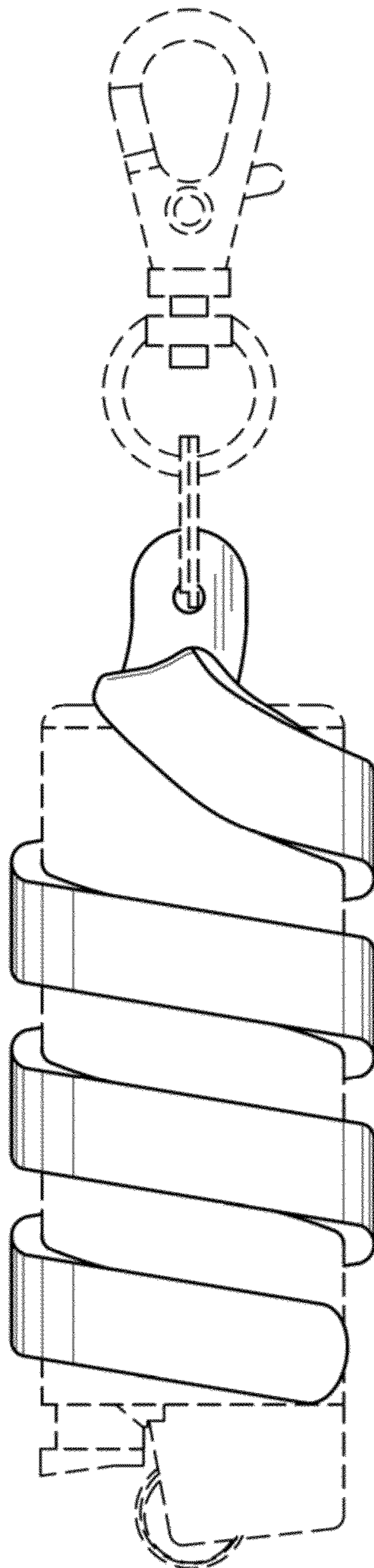
©2013 KUL4U, Inc.

FIG. 6



©2013 KUL4U, Inc.

FIG. 7



©2013 KUL4U, Inc.

FIG. 8