



US00D738035S

(12) **United States Design Patent**  
**King**

(10) **Patent No.:** **US D738,035 S**

(45) **Date of Patent:** **\*\* Sep. 1, 2015**

(54) **LIGHT HOUSING ASSEMBLY**

(71) Applicant: **William J. King**, Vanouver, WA (US)

(72) Inventor: **William J. King**, Vanouver, WA (US)

(\*\*) Term: **14 Years**

(21) Appl. No.: **29/482,080**

(22) Filed: **Feb. 13, 2014**

(51) **LOC (10) Cl.** ..... **26-99**

(52) **U.S. Cl.**  
USPC ..... **D26/128**

(58) **Field of Classification Search**

USPC ..... D26/9, 10, 12, 13, 15, 16, 24, 51, 61,  
D26/72, 76, 80, 81, 85, 86, 88, 90, 113, 118,  
D26/119, 120, 122, 128, 129, 138, 143,  
D26/144; D13/180; D10/18, 21, 24, 25, 27,  
D10/28, 46, 93, 104.1, 113, 114, 116.1;  
D17/99

CPC ..... B60Q 1/04; B60Q 1/26; F21S 8/026;  
F21S 8/04; F21V 29/004; F21V 21/02;  
F21V 21/04; F21V 29/2212; F21Y 2101/02

See application file for complete search history.

(56) **References Cited**

**U.S. PATENT DOCUMENTS**

D192,608	S	*	4/1962	Cooke	.....	D26/76
3,712,271	A	*	1/1973	Greathouse	.....	119/770
4,479,412	A	*	10/1984	Klynas	.....	84/730
D328,800	S	*	8/1992	Cooper	.....	D26/118
D342,130	S	*	12/1993	Anderson et al.	.....	D23/393
5,362,261	A	*	11/1994	Puerner	.....	439/752
D391,006	S	*	2/1998	Yang	.....	D26/118
5,769,802	A	*	6/1998	Wang	.....	601/160
D411,031	S	*	6/1999	Conn et al.	.....	D26/118
D426,902	S	*	6/2000	Hardy et al.	.....	D26/9
D439,009	S	*	3/2001	Broeders	.....	D26/119
D465,061	S	*	10/2002	Guthrie	.....	D26/138
D474,447	S	*	5/2003	Kano	.....	D13/133
D528,694	S	*	9/2006	Barozzini	.....	D26/72

D546,764	S	*	7/2007	Ciancanelli et al.	.....	D13/136
D549,385	S	*	8/2007	Lissoni	.....	D26/89
D575,444	S	*	8/2008	Lissoni	.....	D26/137
D592,788	S	*	5/2009	Sabernig	.....	D26/83
D604,896	S	*	11/2009	Chen et al.	.....	D26/142
D625,875	S	*	10/2010	Chen et al.	.....	D26/74
D640,822	S	*	6/2011	Wildner	.....	D26/89
D641,914	S	*	7/2011	Sprengers	.....	D26/89

(Continued)

**OTHER PUBLICATIONS**

4 CFL softbox, image post date Nov. 14, 2012, site visited Jun. 9, 2015, (online), <<http://www.dsrlfilmnoob.com/2012/11/12/4-cfl-softbox-review-video/>>.\*

(Continued)

*Primary Examiner* — Kevin Rudzinski

*Assistant Examiner* — Sean D Lough

(74) *Attorney, Agent, or Firm* — Mohr Intellectual Property Law Solutions, PC

(57) **CLAIM**

I claim the ornamental design for a light housing assembly, as shown and described.

**DESCRIPTION**

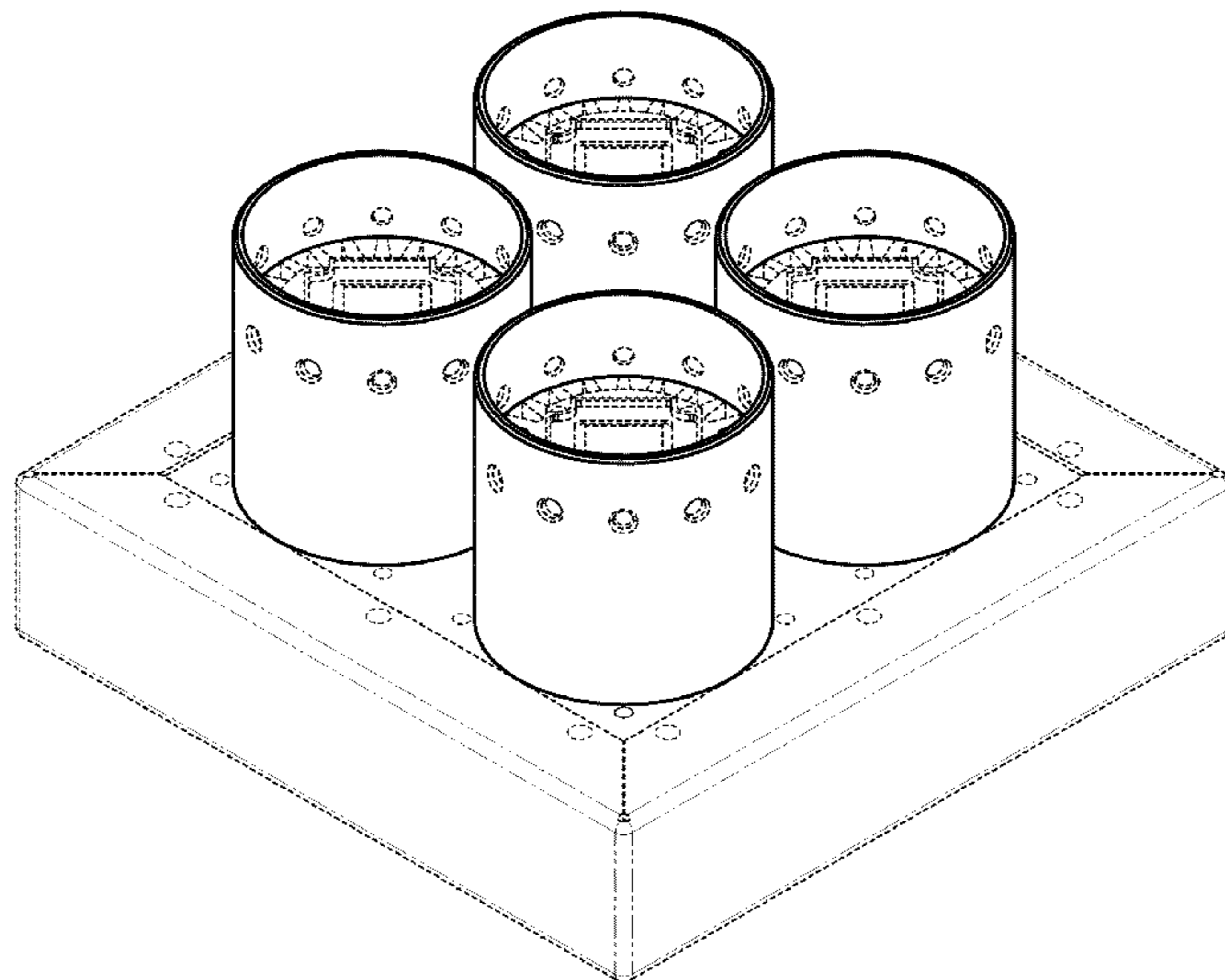
FIG. 1 is a top perspective view of the light housing assembly. FIG. 2 is a front side elevation view of the light housing assembly of FIG. 1 with the rear, right and left side elevation views of the light housing assembly being identical to the front side elevation view shown in FIG. 2.

FIG. 3 is a top plan view of the light housing assembly of FIG. 1; and,

FIG. 4 is a bottom plan view of the light housing assembly of FIG. 1.

The claimed ornamental design is shown in solid lines. The broken lines (where present) in all Figs. illustrate portions of the light housing assembly that form no part of the claimed design.

**1 Claim, 4 Drawing Sheets**



(56)

**References Cited**

U.S. PATENT DOCUMENTS

D642,327 S \* 7/2011 Fletcher et al. .... D26/138  
 D643,961 S \* 8/2011 Mancini et al. .... D26/83  
 D657,090 S \* 4/2012 Kaule et al. .... D26/138  
 D661,251 S \* 6/2012 Cheng et al. .... D13/120  
 D664,286 S \* 7/2012 Chou ..... D26/124  
 D666,767 S \* 9/2012 Huang ..... D26/142  
 D667,989 S \* 9/2012 May ..... D26/139  
 D669,205 S \* 10/2012 Sonneman ..... D26/83  
 D673,067 S \* 12/2012 Kim et al. .... D10/111  
 D673,721 S \* 1/2013 Shen ..... D26/138  
 D703,372 S \* 4/2014 Martin ..... D26/138  
 D703,613 S \* 4/2014 Battaglia ..... D13/147  
 8,794,543 B2 \* 8/2014 Leber ..... 239/381  
 D713,585 S \* 9/2014 Van Lierde ..... D26/74

D715,482 S \* 10/2014 Kuo ..... D26/138  
 2010/0146782 A1 \* 6/2010 Whittaker et al. .... 29/852  
 2012/0275162 A1 \* 11/2012 Spiro ..... 362/294

OTHER PUBLICATIONS

Lighting On A Budget CFL light, image post date Sep. 14, 2009, site visited Jun. 9, 2015, (online), <<http://digitalapplejuice.com/lighting-on-a-budget-pt-1/>>.\*  
 Exhaust Fan Systems, image post date Feb. 5, 2011, site visited Jun. 9, 2015, (online), <<http://www.homedepot.com/p/NuTone-Heat-A-Vent-70-CFM-Ceiling-Exhaust-Fan-with-1300-Watt-Heater-605RP/202241483>>.\*  
 UST-10LX/20LX, image post date Jun. 12, 2014, site visited May 29, 2015, (online), <[http://www.hokuyo-aut.jp/02sensor/07scanner/ust\\_10lx\\_20lx.html](http://www.hokuyo-aut.jp/02sensor/07scanner/ust_10lx_20lx.html)>.\*

\* cited by examiner

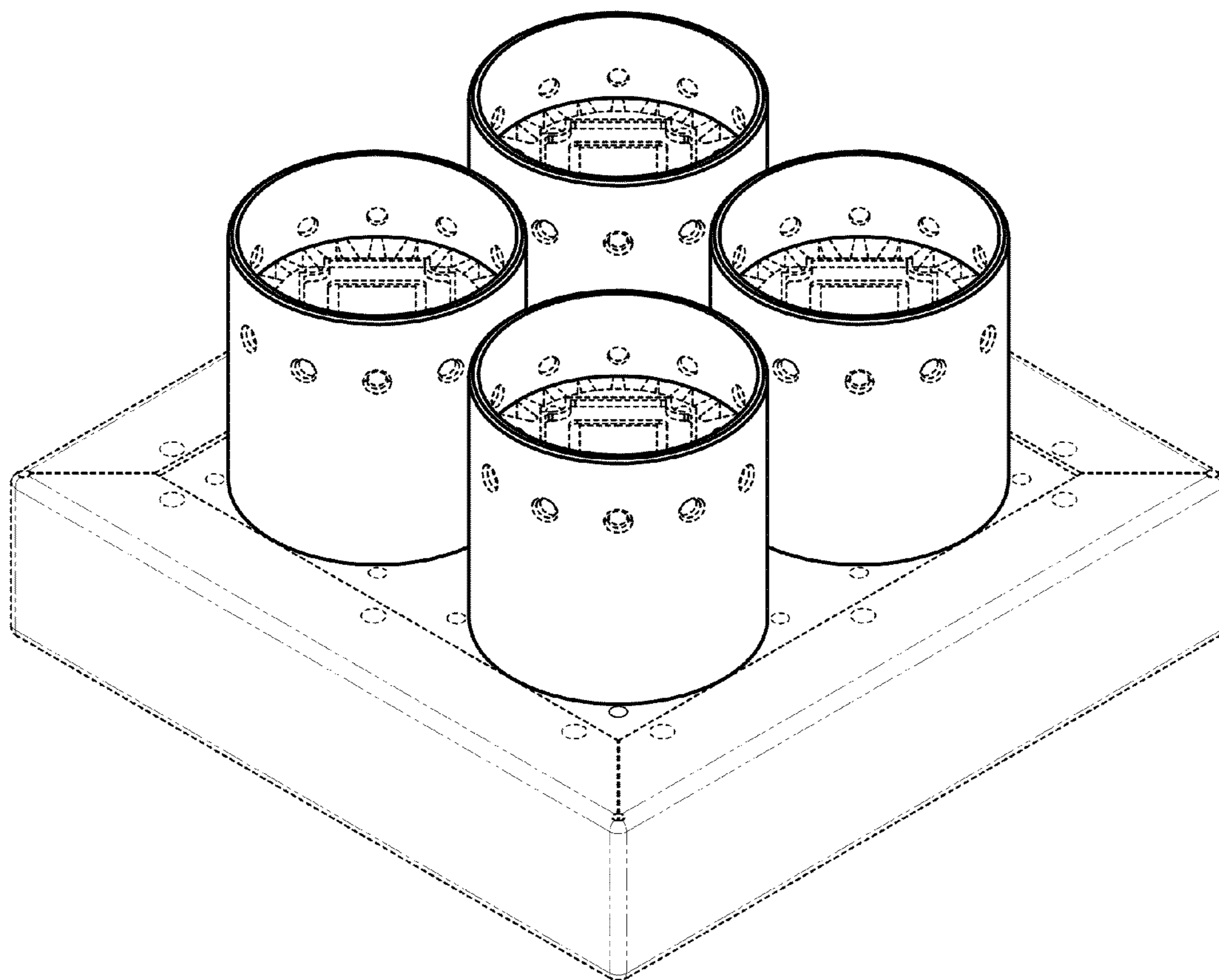


FIG.1

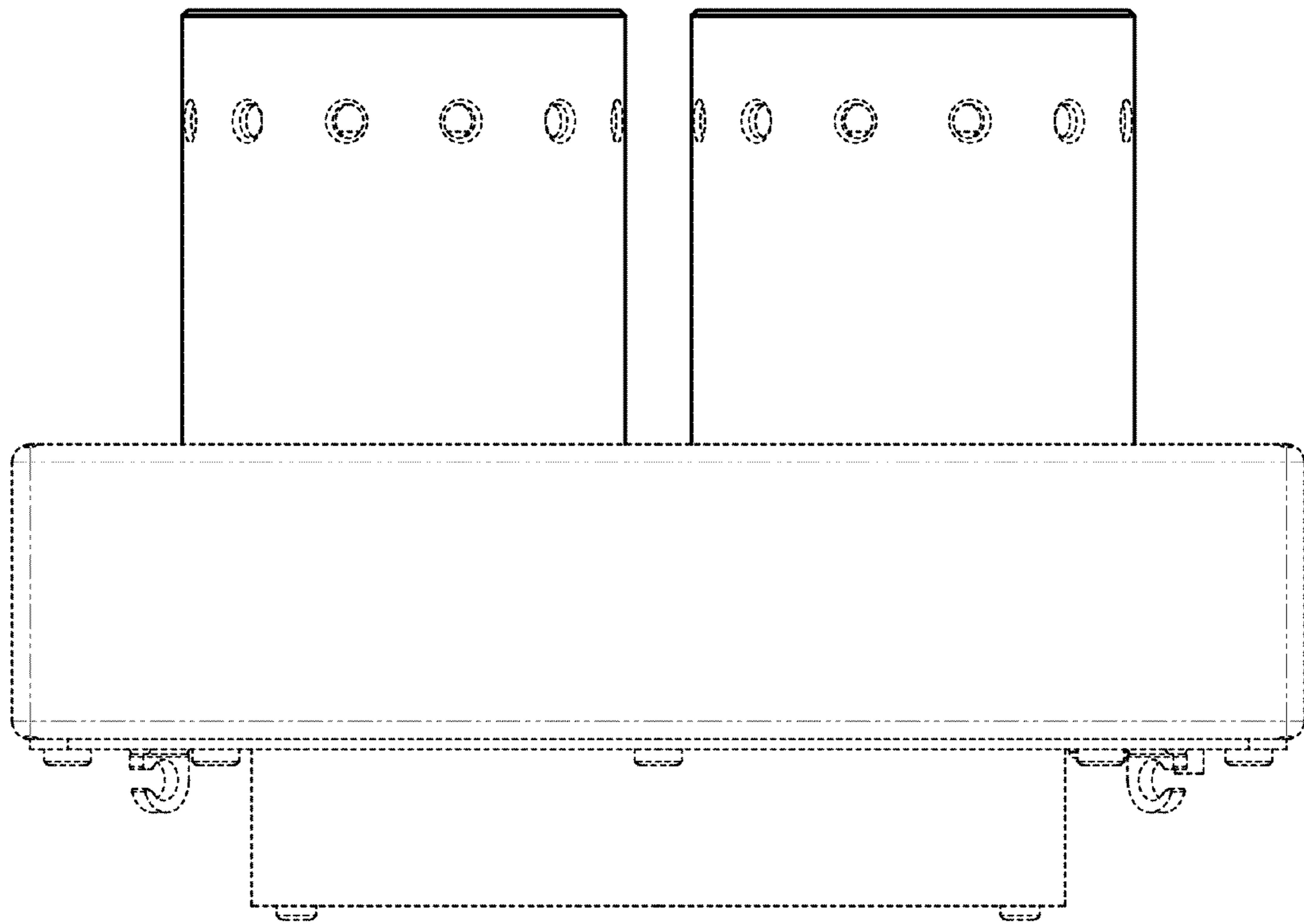


FIG.2



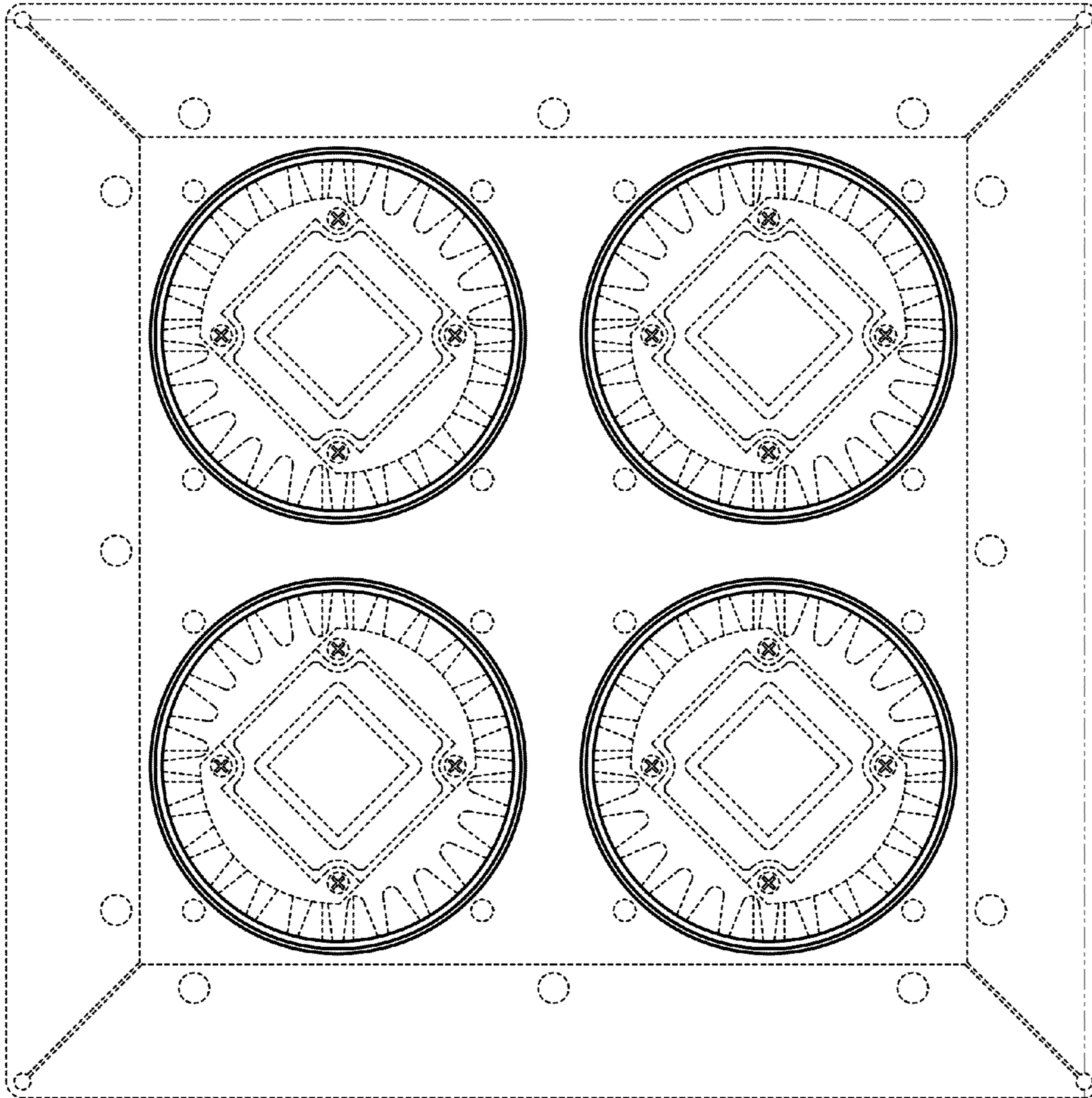


FIG.3

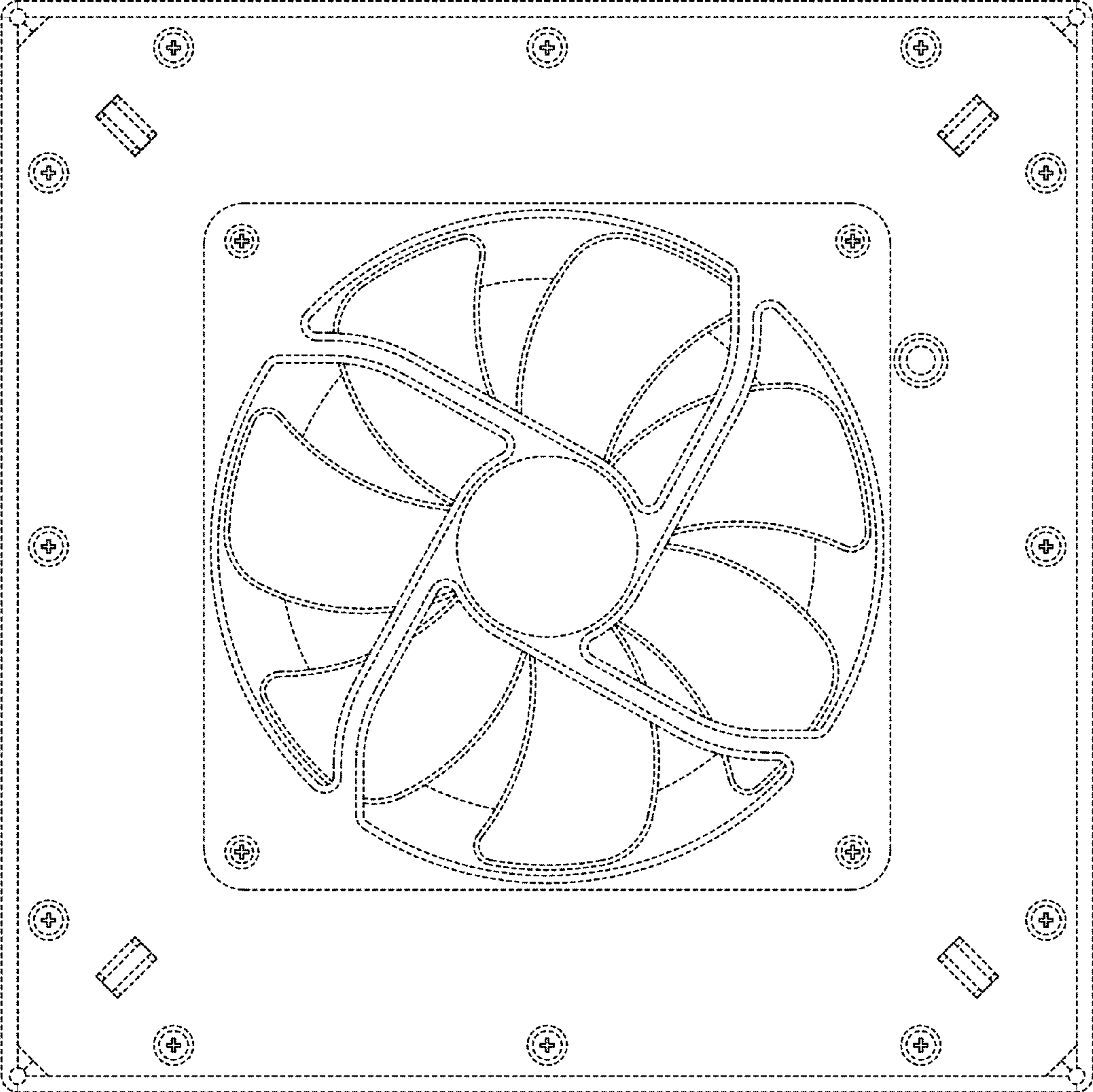


FIG. 4