



US00D738032S

(12) **United States Design Patent**  
**Maxik et al.**

(10) **Patent No.:** **US D738,032 S**

(45) **Date of Patent:** **\*\* Sep. 1, 2015**

(54) **SQUARE TROFFER LUMINAIRE**

(56) **References Cited**

(71) Applicant: **LIGHTING SCIENCE GROUP CORPORATION**, Satellite Beach, FL (US)

U.S. PATENT DOCUMENTS

(72) Inventors: **Fredric S. Maxik**, Indialantic, FL (US);  
**David E. Bartine**, Cocoa, FL (US);  
**Mark Andrew Oostdyk**, Cape Canaveral, FL (US); **Addy S. Widjaja**, Palm Bay, FL (US); **Ran Zhou**, Rockledge, FL (US); **Matthew Regan**, Melbourne, FL (US); **Damion Johnson**, Rockledge, FL (US); **Raymond Reynolds**, Satellite Beach, FL (US)

D50,930 S *	6/1917	Becker	.....	D26/28
D358,037 S *	5/1995	Monroe	.....	D6/300
D358,716 S *	5/1995	Chenevert	.....	D6/300
D437,446 S *	2/2001	Reo et al.	.....	D26/91
D477,104 S *	7/2003	Wang	.....	D26/72
D514,732 S *	2/2006	Benensohn	.....	D26/89
RE40,522 E *	9/2008	Capella	.....	D6/300
D679,437 S *	4/2013	Watt	.....	D26/74
D682,457 S *	5/2013	Watt	.....	D26/74
D690,875 S *	10/2013	McKenzie et al.	.....	D26/118
D691,762 S *	10/2013	Sieczkowski	.....	D26/89
D703,861 S *	4/2014	Holland et al.	.....	D26/89
D717,487 S *	11/2014	Guzzini	.....	D26/118

\* cited by examiner

(73) Assignee: **Lighting Science Group Corporation**, Melbourne, FL (US)

*Primary Examiner* — Cynthia Ramirez

*Assistant Examiner* — Llorellys Martinez-Rivera

(\*\*) Term: **14 Years**

(74) *Attorney, Agent, or Firm* — Mark Malek; Widerman Malek, PL

(21) Appl. No.: **29/494,164**

(57) **CLAIM**

The ornamental design for a square troffer luminaire, as shown and described.

(22) Filed: **Jun. 18, 2014**

**DESCRIPTION**

(51) **LOC (10) Cl.** ..... **26-99**

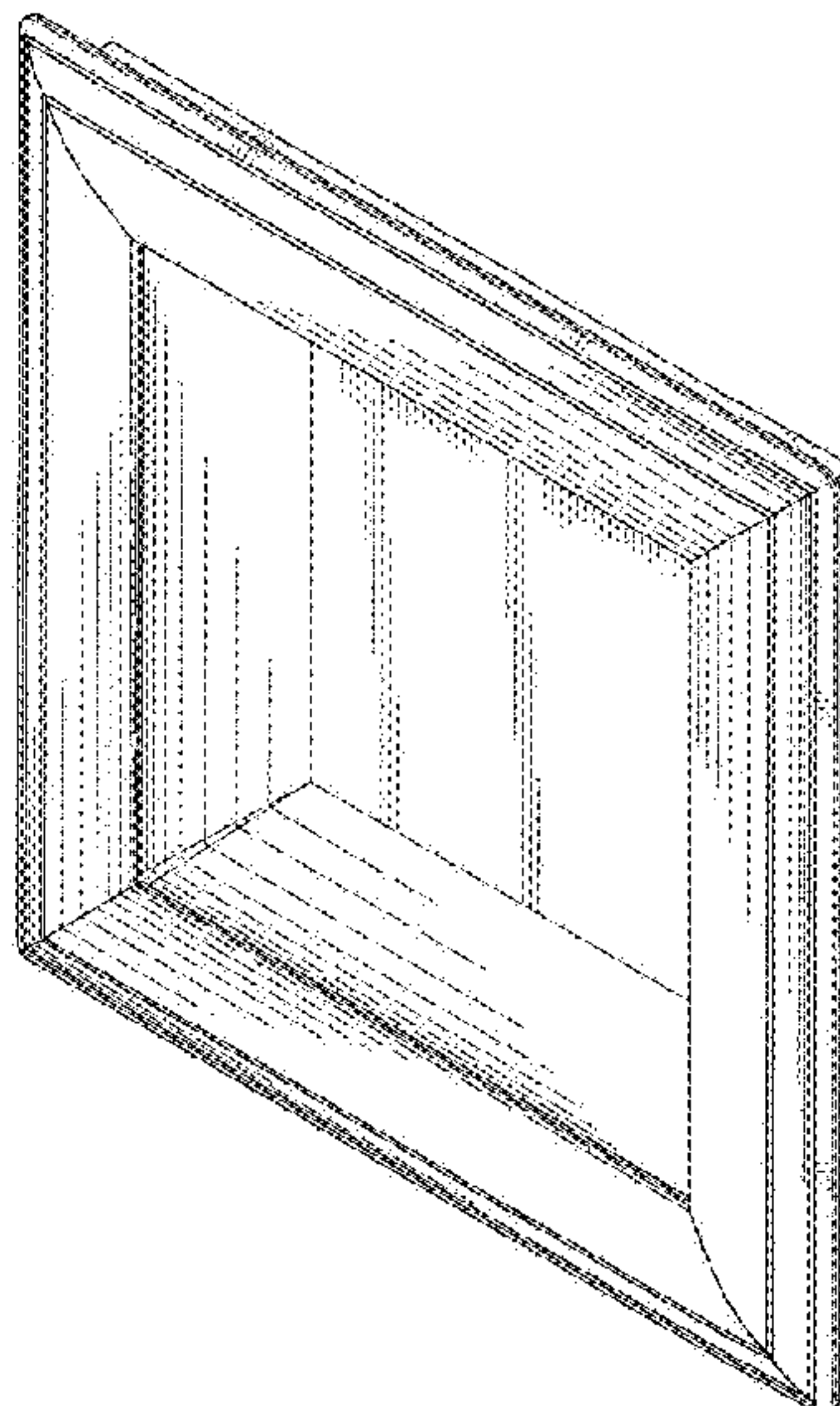
(52) **U.S. Cl.**  
USPC ..... **D26/118**

(58) **Field of Classification Search**  
USPC ..... D26/25–26, 28, 51, 55–57, 59–64, 66, D26/72–91, 93, 113, 118–120, 122, 138, D26/140–142; 362/145–148, 150–153, 362/153.1, 217.01, 217.02, 217.05–217.07, 362/217.1, 217.15, 218, 223, 241, 249.02, 362/296.07, 296.08, 294, 299, 311.02, 362/341–345, 362, 373, 563, 580, 600, 608, 362/609, 640, 641, 805; D11/142, 143, D11/144, 155; D8/300, 310, 314

See application file for complete search history.

FIG. 1 is a bottom perspective view of a square troffer luminaire according to the present invention.  
FIG. 2 is a bottom plan view of the square troffer luminaire of FIG. 1.  
FIG. 3 is a top plan view of the square troffer luminaire of FIG. 1.  
FIG. 4 is a side elevation view of the square troffer luminaire of FIG. 1; and,  
FIG. 5 is a bottom perspective view of the square troffer luminaire of FIG. 1.  
The broken lines shown in FIGS. 3, 4 and 5 illustrate portions of the square troffer luminaire which form no part of the claimed design.

**1 Claim, 5 Drawing Sheets**



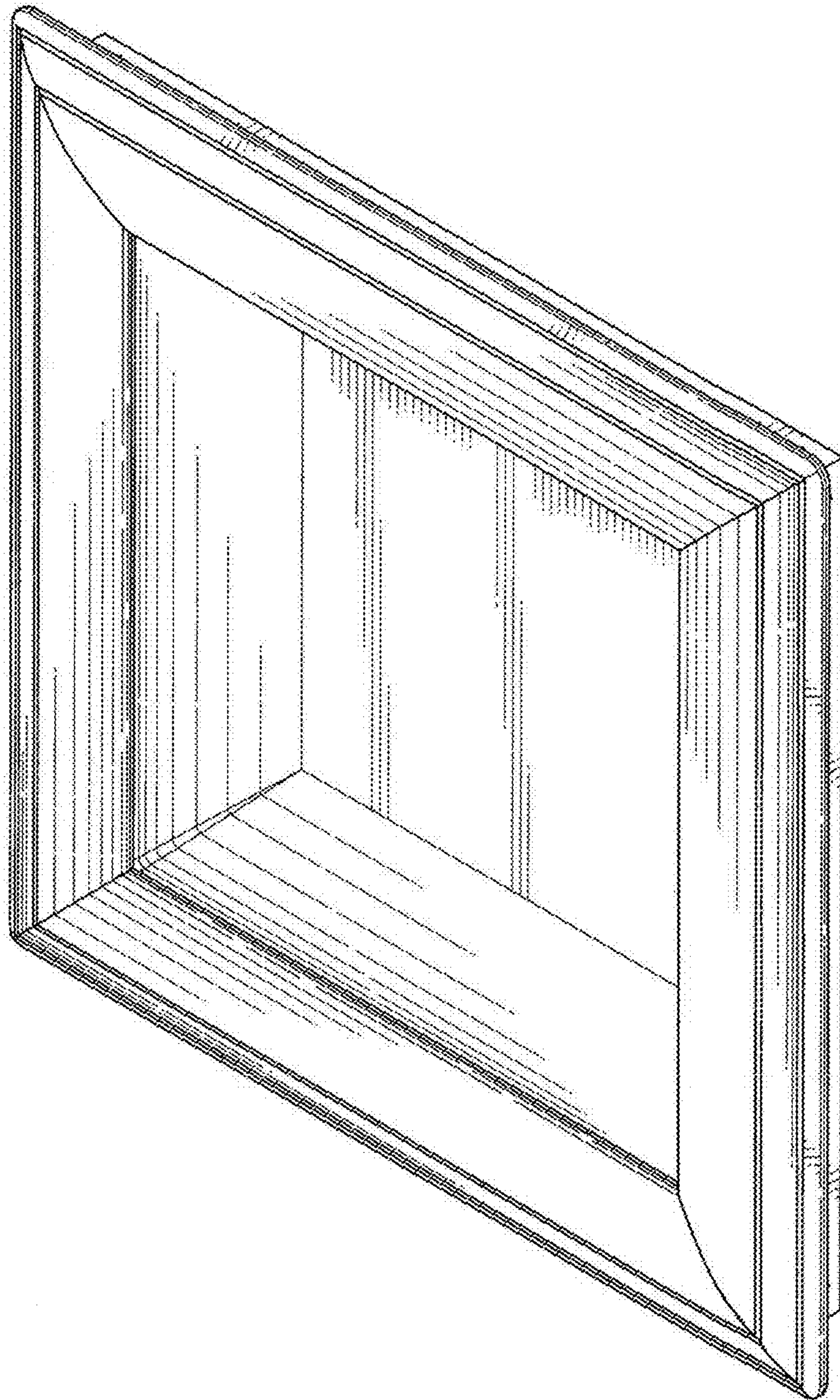


FIG. 1



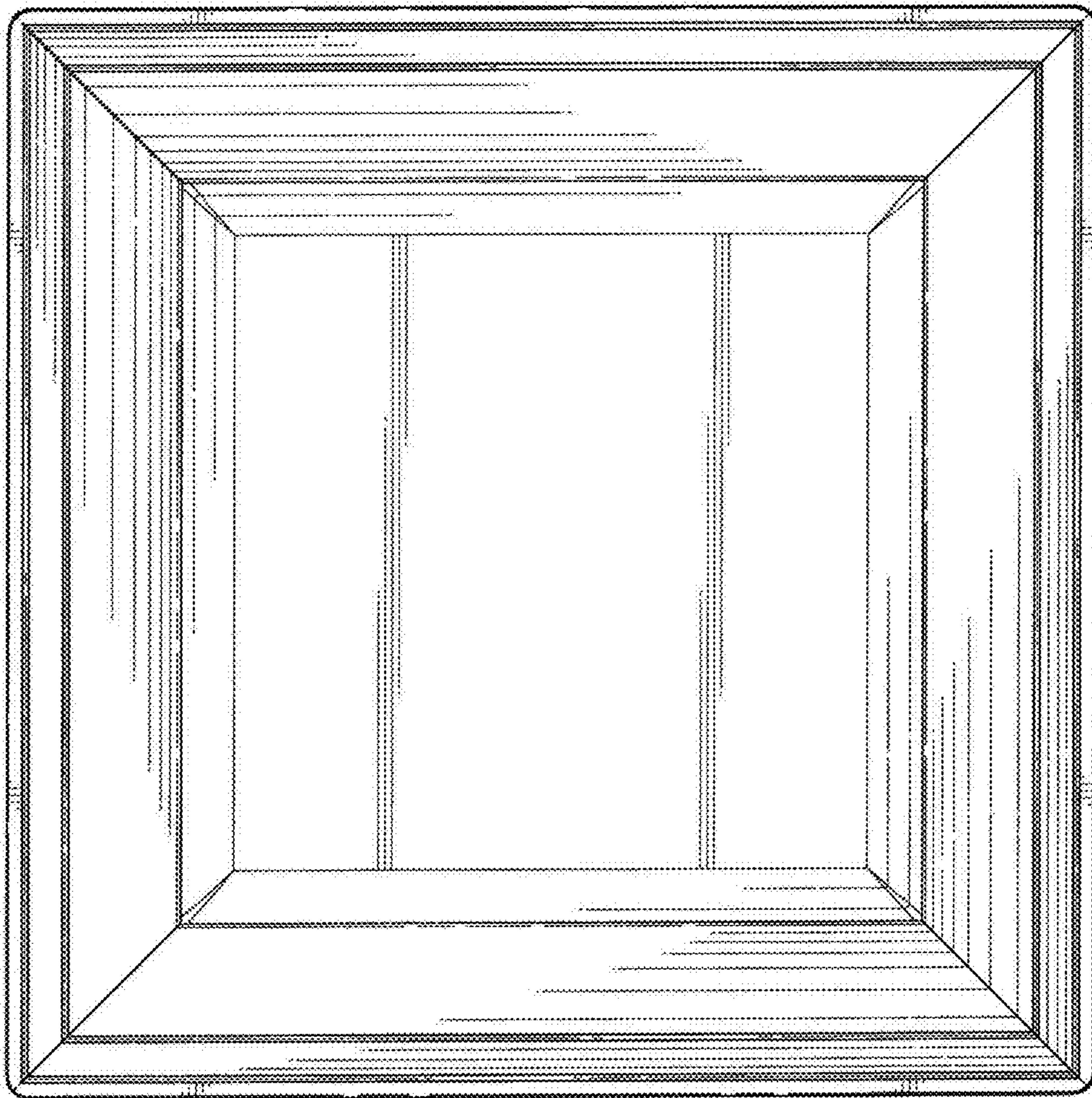


FIG. 2

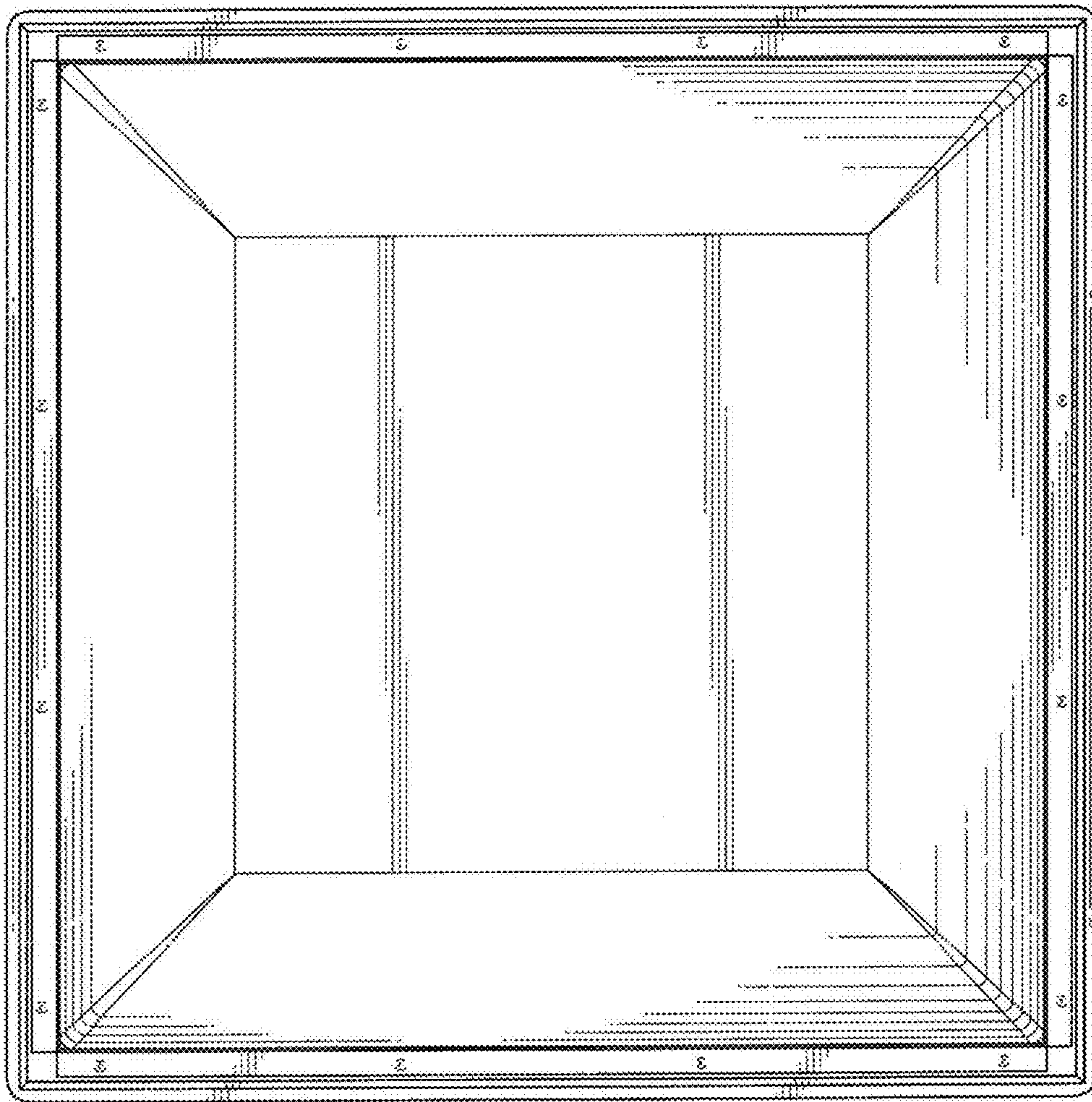


FIG. 3

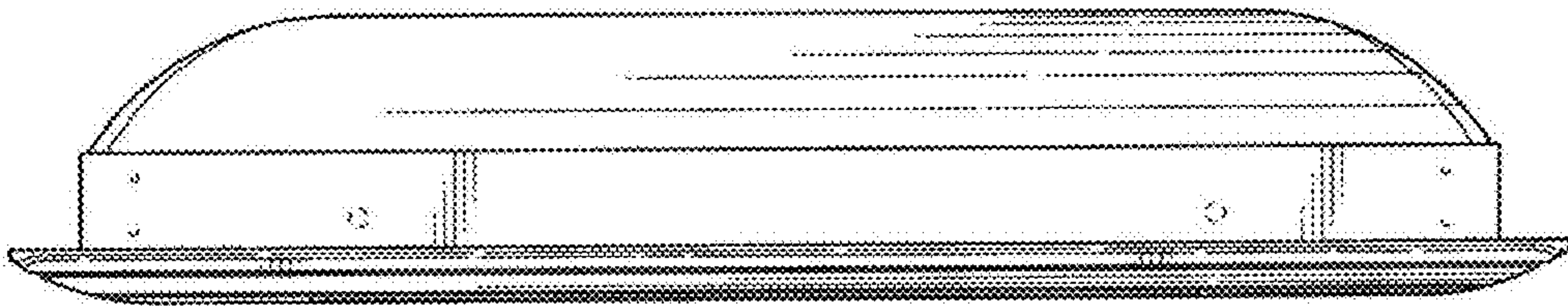


FIG. 4



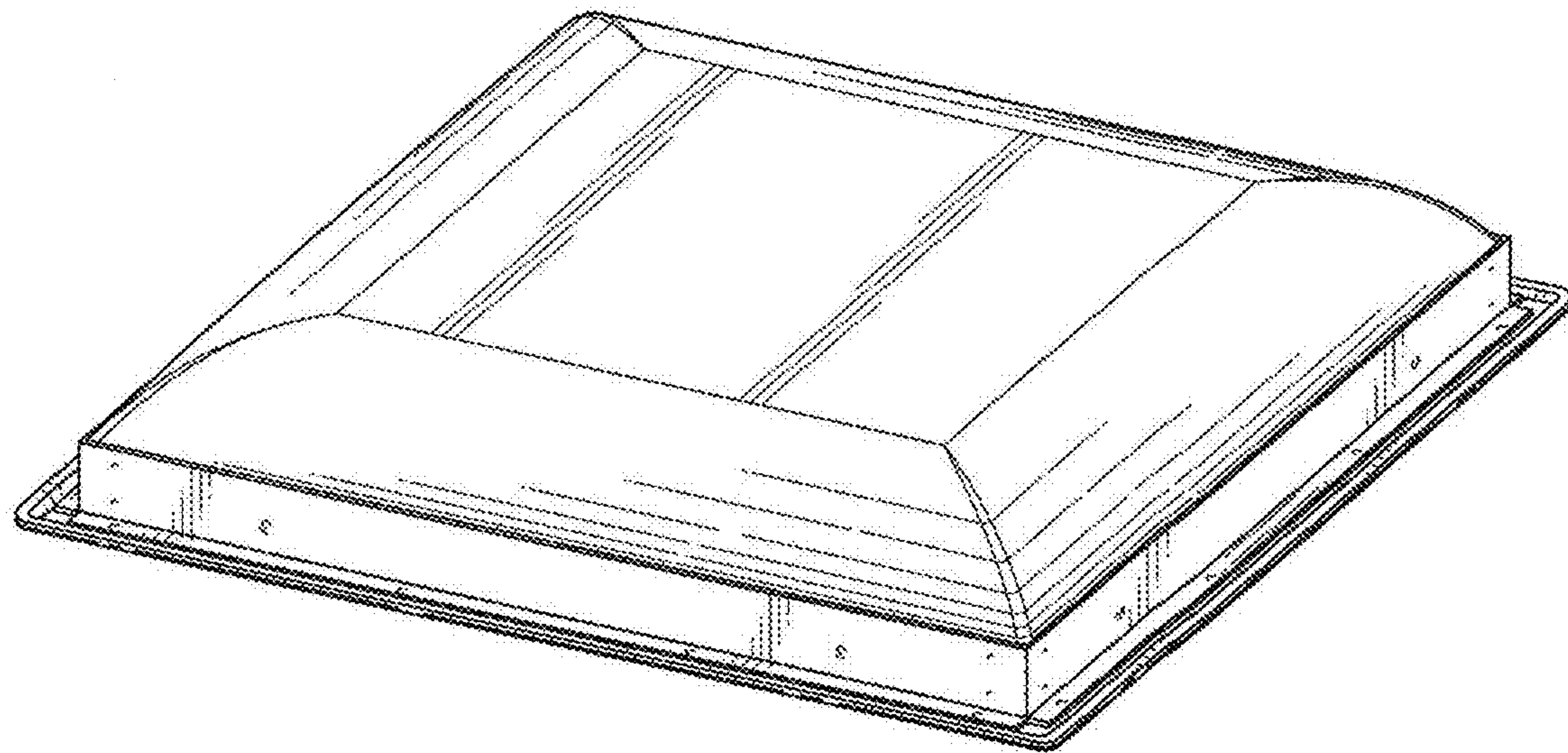


FIG. 5