



US00D738031S

(12) **United States Design Patent**
Martins et al.

(10) **Patent No.:** **US D738,031 S**

(45) **Date of Patent:** **** Sep. 1, 2015**

(54) **LIGHT FIXTURE**

(71) Applicant: **GE LIGHTING SOLUTIONS, LLC**,
East Cleveland, OH (US)

(72) Inventors: **Jeremias Anthony Martins**, Twinsburg,
OH (US); **Timothy Alan Taubert**,
Willoughby, OH (US); **Simon Lee
Fisher**, Cambridgeshire (GB); **Matthew
James Free**, Cambridgeshire (GB)

(73) Assignee: **GE LIGHTING SOLUTIONS, LLC**,
East Cleveland, OH (US)

(**) Term: **14 Years**

(21) Appl. No.: **29/485,172**

(22) Filed: **Mar. 17, 2014**

(51) **LOC (10) Cl.** **26-99**

(52) **U.S. Cl.**
USPC **D26/118**

(58) **Field of Classification Search**
USPC D26/9, 10, 12, 13, 15, 16, 51, 61, 72,
D26/76, 80, 81, 85, 86, 88, 90, 113, 118,
D26/119, 120, 122, 128, 129, 138, 143, 144
See application file for complete search history.

(56) **References Cited**

U.S. PATENT DOCUMENTS

D134,481 S *	12/1942	Borkland	D26/122
D156,014 S *	11/1949	Lazerson	D26/78
2,740,883 A *	4/1956	Kruger	362/219
D201,380 S *	6/1965	Schwenkler	D26/122
D262,659 S *	1/1982	Latta et al.	D26/35
4,531,180 A *	7/1985	Hernandez	362/297
D452,030 S *	12/2001	Collver	D26/76
D466,244 S *	11/2002	Lewis et al.	D26/76
D483,510 S *	12/2003	Fritze et al.	D26/75
D543,654 S *	5/2007	Hargreaves	D26/76
D544,139 S *	6/2007	Hargreaves	D26/118
D544,985 S *	6/2007	Hargreaves	D26/78

D605,342 S *	12/2009	Chung et al.	D26/118
D608,490 S *	1/2010	Chung et al.	D26/118
D619,747 S *	7/2010	Jung	D26/71

(Continued)

OTHER PUBLICATIONS

CL00560, image post date Feb. 12, 2008, site visited Nov. 21, 2014,
(online), <<http://www.elightbulbs.com/General-00560-JT822-232U6G-FSA12-EB8LHUNV-2L-2X2-TROFFER-U-BENT-Industrial-Commercial-Light-Fixture>>.*

(Continued)

Primary Examiner — Kevin Rudzinski

Assistant Examiner — Sean D Lough

(74) *Attorney, Agent, or Firm* — GE Global Patent
Operation; Peter T. DiMauro

(57) **CLAIM**

We claim the ornamental design for a light fixture, as shown
and described.

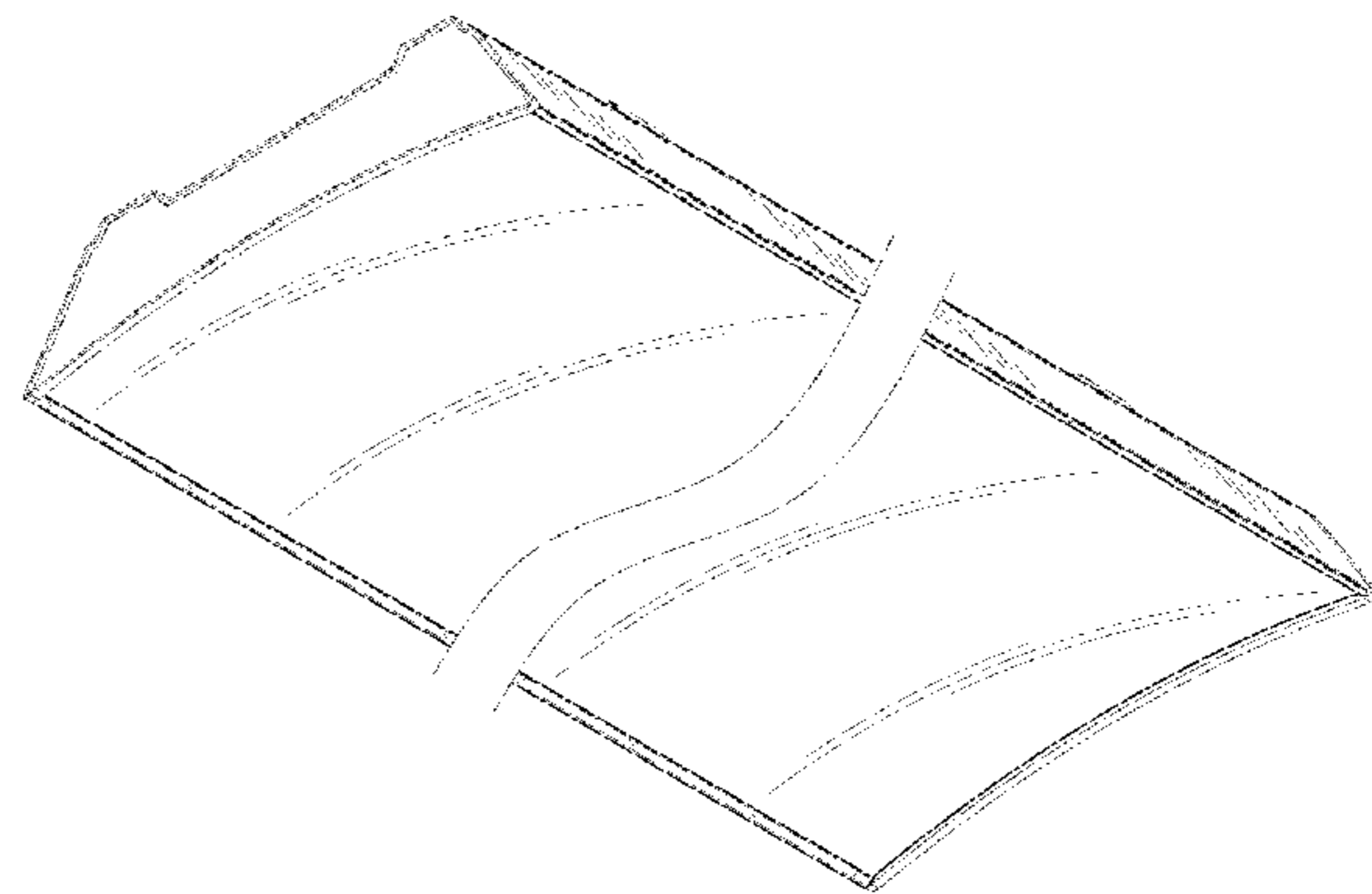
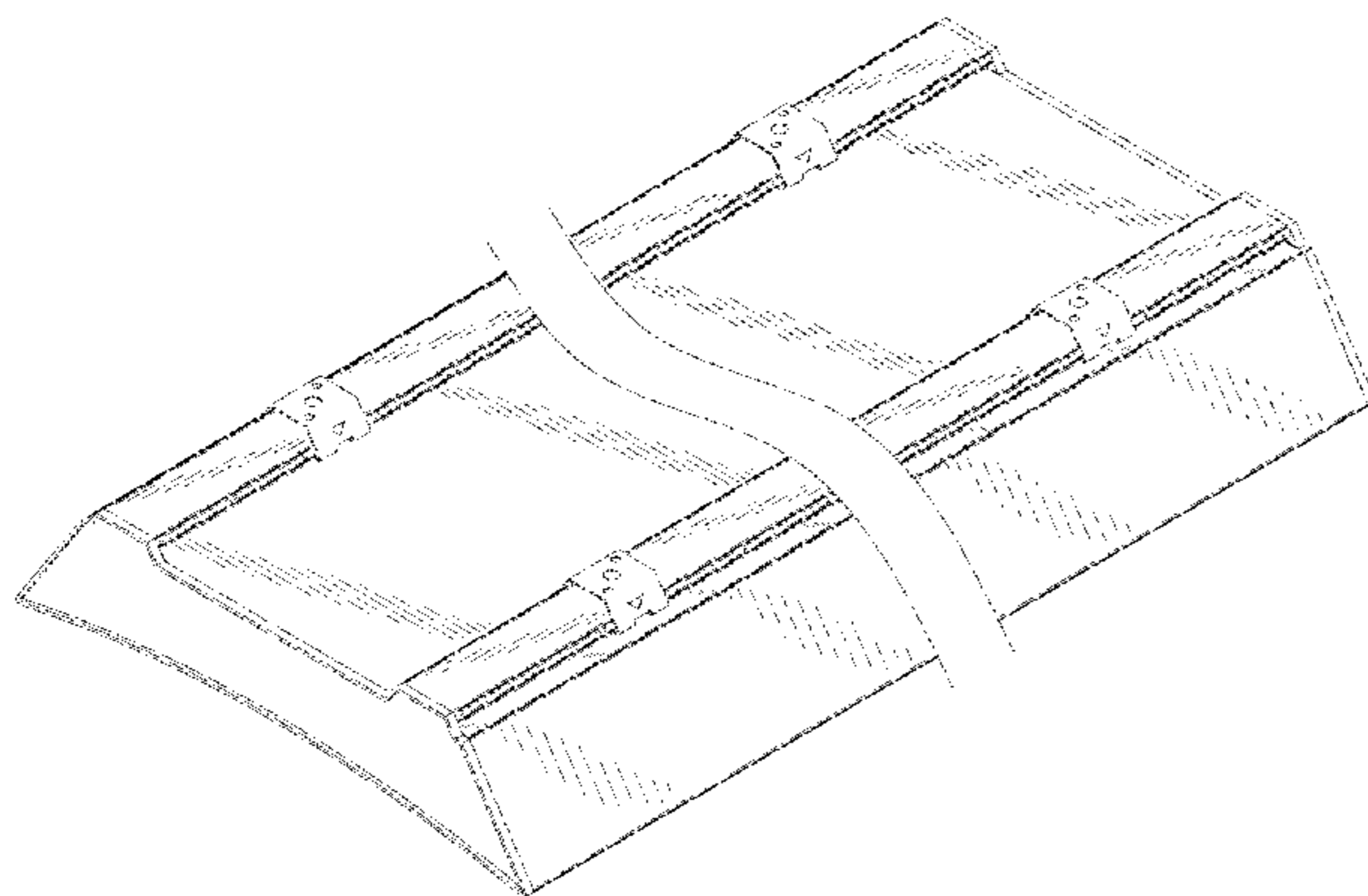
DESCRIPTION

FIG. 1 is a top perspective view of a light fixture in accordance
with the present design;
FIG. 2 is a bottom perspective view thereof;
FIG. 3 is a side plan view thereof;
FIG. 4 is a cross-sectional plan view taken along line 4-4 of
FIG. 3;
FIG. 5 is a side plan view thereof;
FIG. 6 is a top plan view thereof; and,
FIG. 7 is a bottom plan view thereof.

The broken lines (where present) in all Figs. illustrate por-
tions of the light fixture that form no part of the claimed
design. any shading forms no part of the claimed design and
is provided to illustrate contour only and is not an indication
of texture, gloss, and the like.

The light fixture is shown with a break in the middle of the
design. The portions of the design not shown form no part of
the claimed design.

1 Claim, 6 Drawing Sheets



(56)

References Cited

U.S. PATENT DOCUMENTS

D633,640 S * 3/2011 Wauters D26/85
 7,972,044 B2 * 7/2011 Burkhauser 362/373
 D643,148 S * 8/2011 Jabra et al. D26/120
 D644,780 S * 9/2011 Jabra et al. D26/120
 D667,584 S * 9/2012 Beghelli D26/75
 8,313,216 B2 * 11/2012 Lai 362/249.02
 D673,720 S * 1/2013 Bailey et al. D26/138
 D674,964 S * 1/2013 Bailey et al. D26/118
 D678,597 S * 3/2013 Lehman et al. D26/120
 D679,848 S * 4/2013 Pickard et al. D26/74
 D698,975 S * 2/2014 Blessitt et al. D26/74
 D701,988 S * 4/2014 Clements D26/74
 D701,990 S * 4/2014 Rodgers et al. D26/76
 D704,374 S * 5/2014 Notaney et al. D26/118
 D705,474 S * 5/2014 Philips D26/76
 D706,485 S * 6/2014 Waldmann D26/138
 D710,528 S * 8/2014 Wardenburg et al. D26/75
 2003/0031011 A1 * 2/2003 Miller et al. 362/150
 2007/0246631 A1 * 10/2007 Brown et al. 248/343
 2011/0255276 A1 * 10/2011 Coward 362/217.02
 2012/0069582 A1 * 3/2012 Chang 362/371
 2012/0087118 A1 * 4/2012 Bailey et al. 362/235
 2012/0275150 A1 * 11/2012 Yokotani et al. 362/235

OTHER PUBLICATIONS

Shappell Ice Fishing Jet Sled JSX, image post date Nov. 27, 2007, site visited Dec. 2, 2014, (online), <<http://web.archive.org/web/20071127163544/http://shappell.com/sleds.html>>.*
 TRS2-332-UNV-ISN, image post date May 6, 2013, site visited Dec. 2, 2014, (online), <<http://www.shineretrofits.com/new-earth-lighting-trs2-332-unv-isn-2-x-4-standard-troffer-3-x-f32t8-120v-277v-instant-start-normal-bf.html>>.*
 NPL date for TRS2-332-UNV-ISN from Wayback Machine, image post date Dec. 2, 2014, site visited Dec. 2, 2014, (online), <http://web.archive.org/web/20130506140906*/http://www.shineretrofits.com/new-earth-lighting-trs2-332-unv-isn-2-x-4-standard-troffer-3-x-f32t8-120v-277v-instant-start-normal-bf.html>.*
 Apple's wireless multitouch Magic Mouse, image post date Oct. 30, 2009, site visited Dec. 2, 2014, (online), <http://appleinsider.com/articles/09/10/30/first_look_apples_wireless_multitouch_magic_mouse>.*
 2-Light White Flanged Fluorescent Troffer, image post date Jul. 12, 2011, site visited Dec. 2, 2014, (online), <<http://www.homedepot.com/p/Lithonia-Lighting-2-Light-White-Flanged-Fluorescent-Troffer-SP8-F-2-32-A12-120-GESB/100249370>>.*
 MaxLite LED RKT Series Recessed Troffer, image post date 2011, site visited Dec. 2, 2014, (online), <<http://www.maxlite.com/products/led-recessed-troffer-retrofit-kits>>.*

* cited by examiner

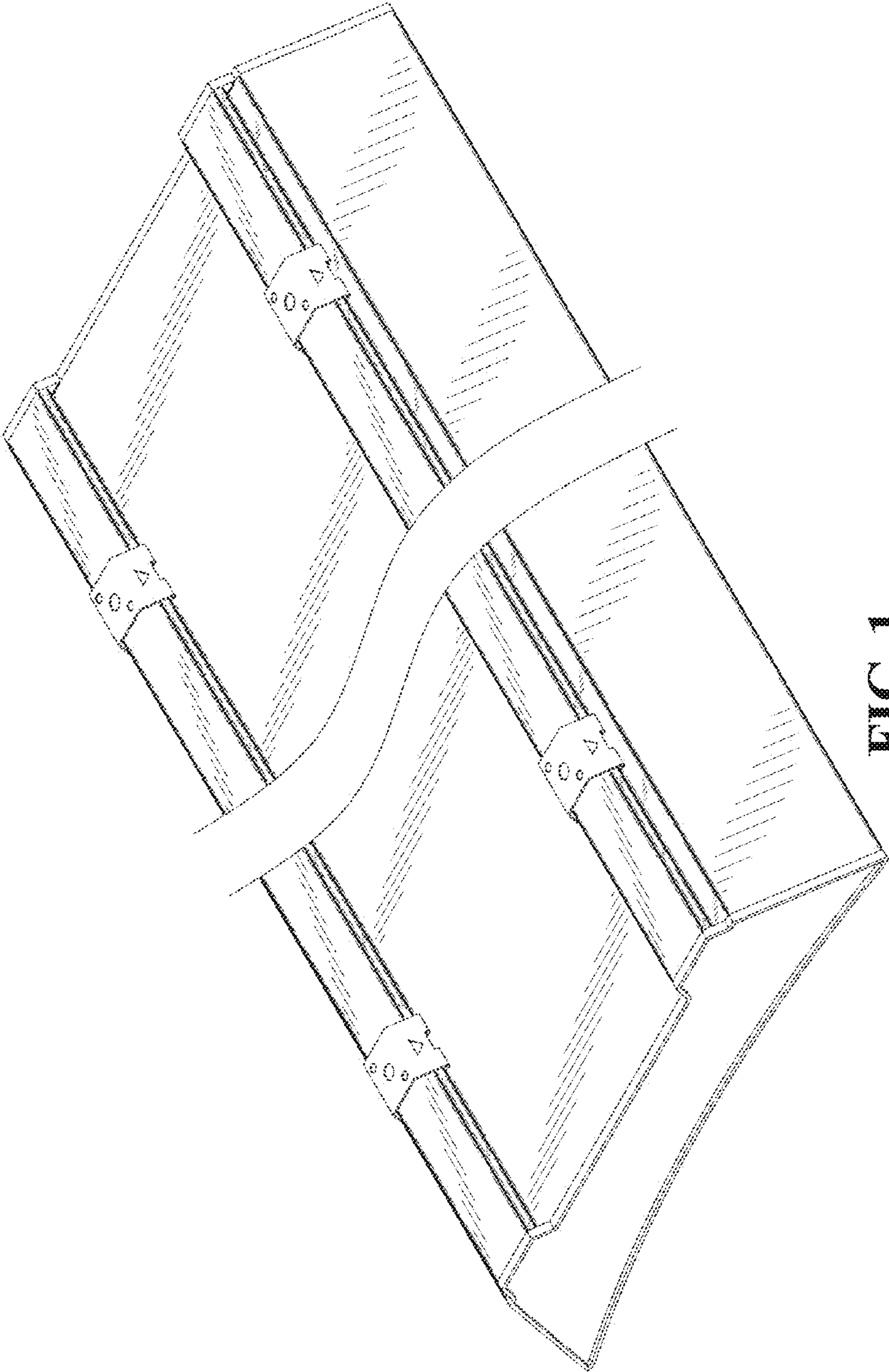


FIG. 1

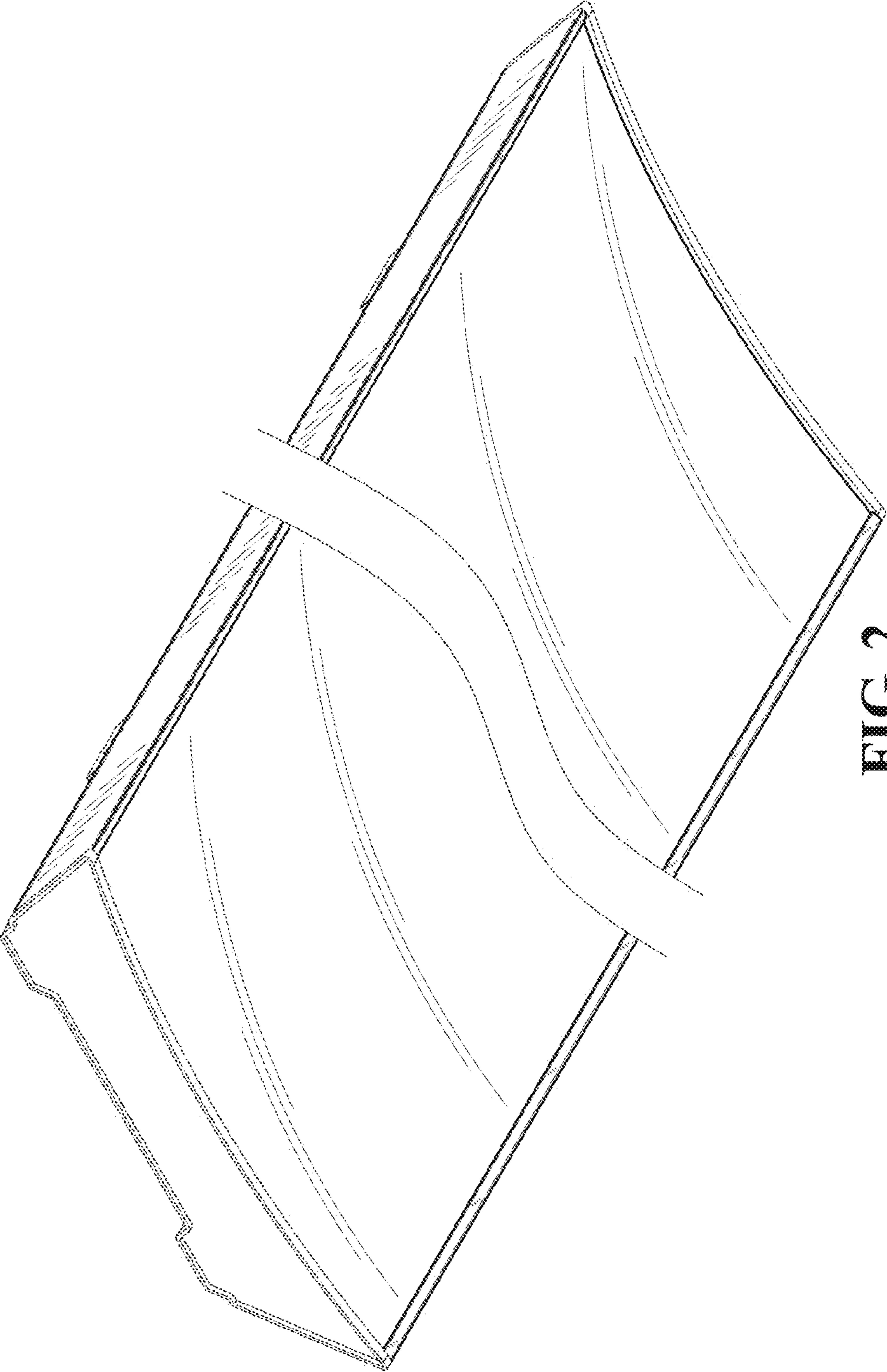


FIG. 2

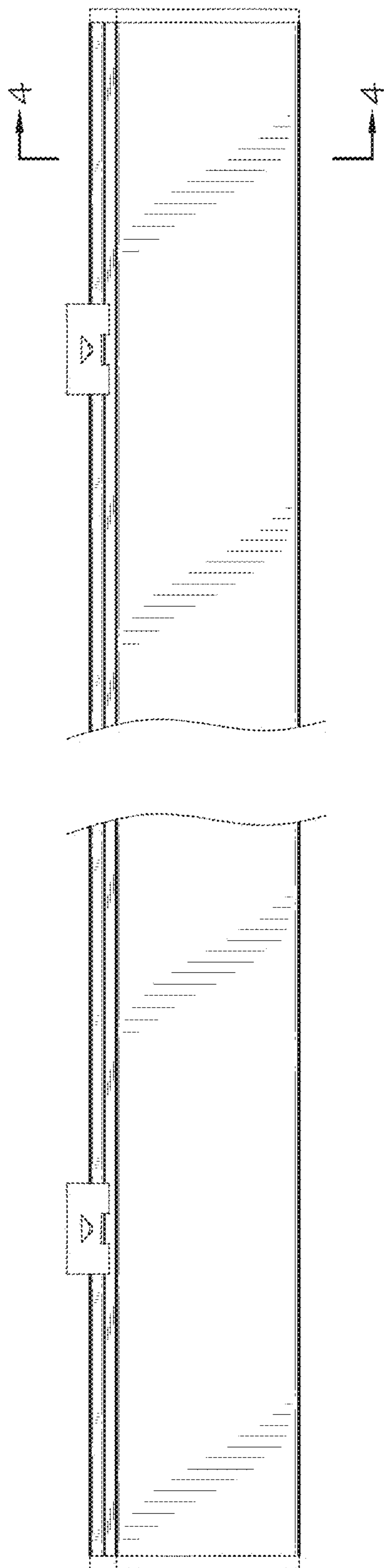


FIG. 3

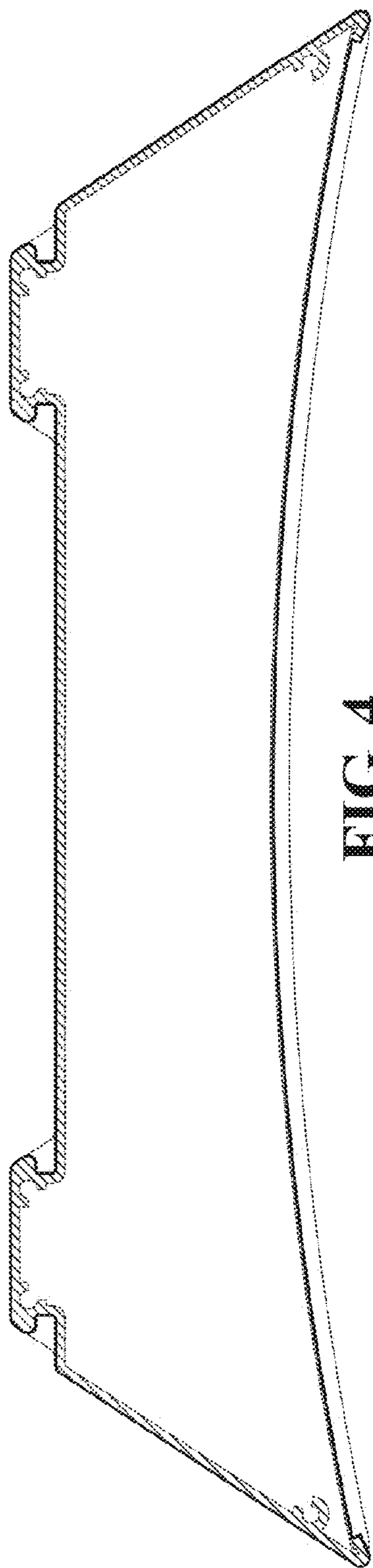


FIG. 4

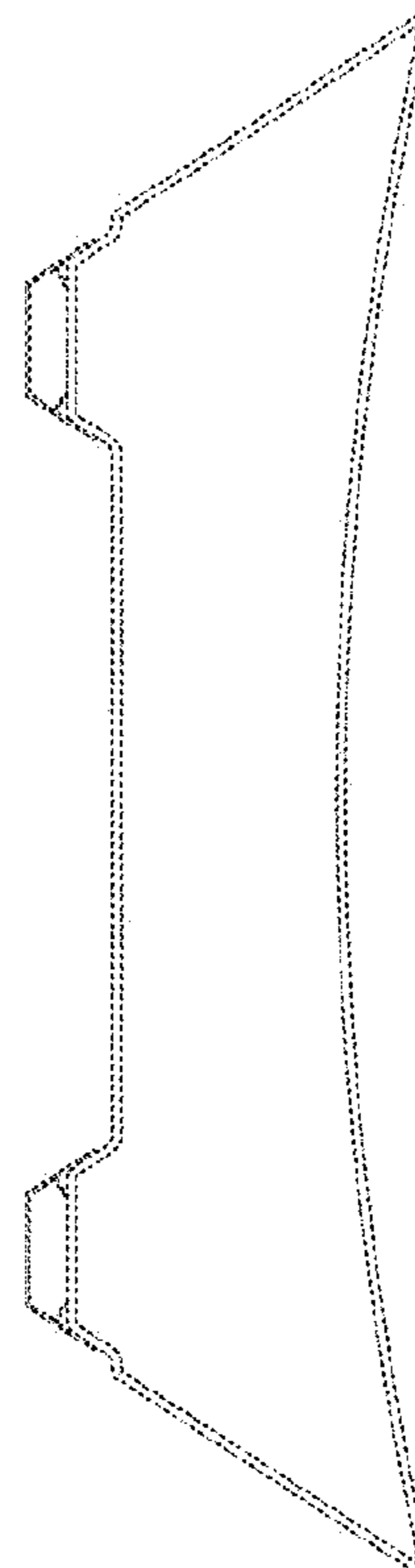


FIG. 5

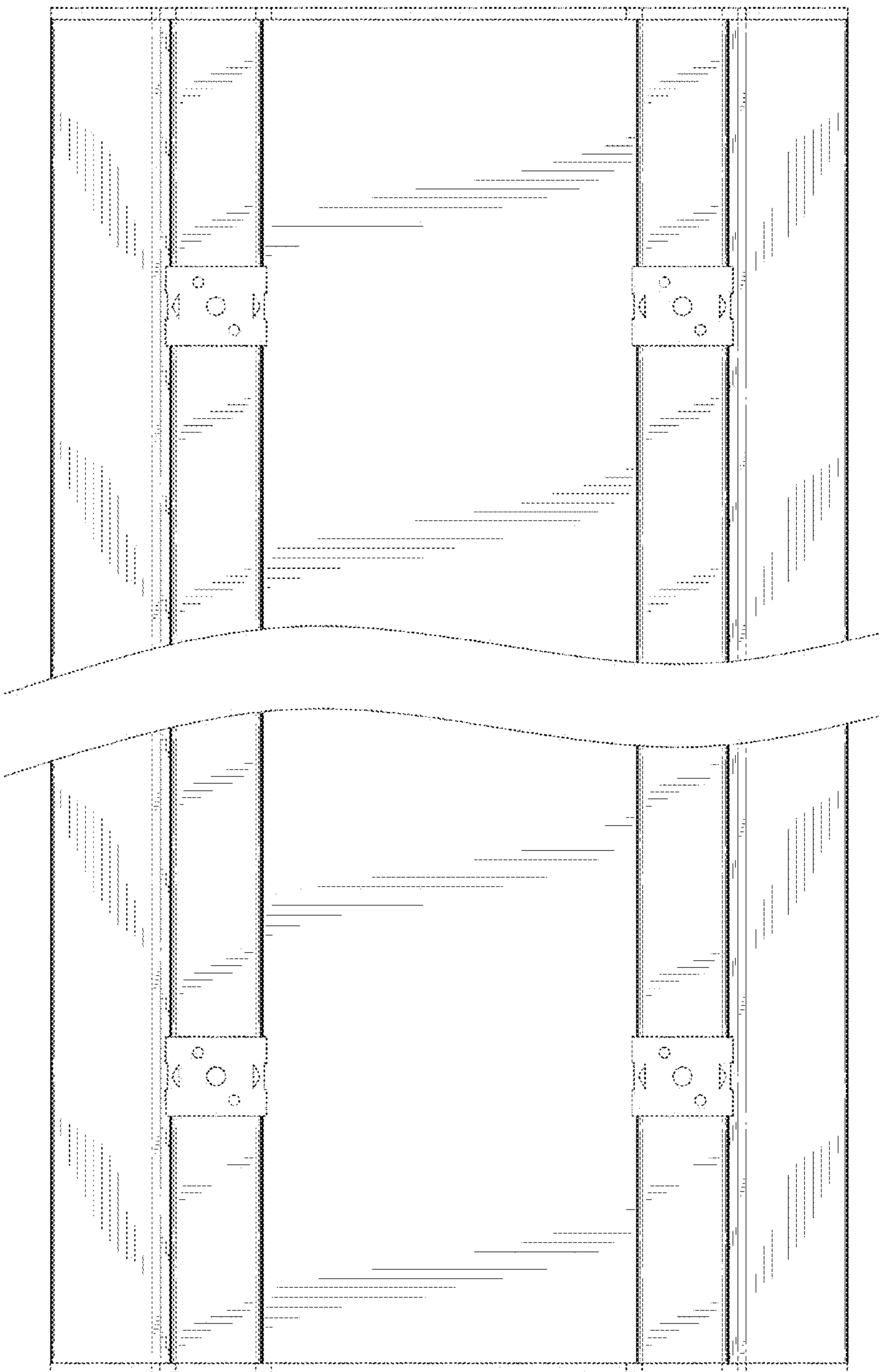


FIG. 6

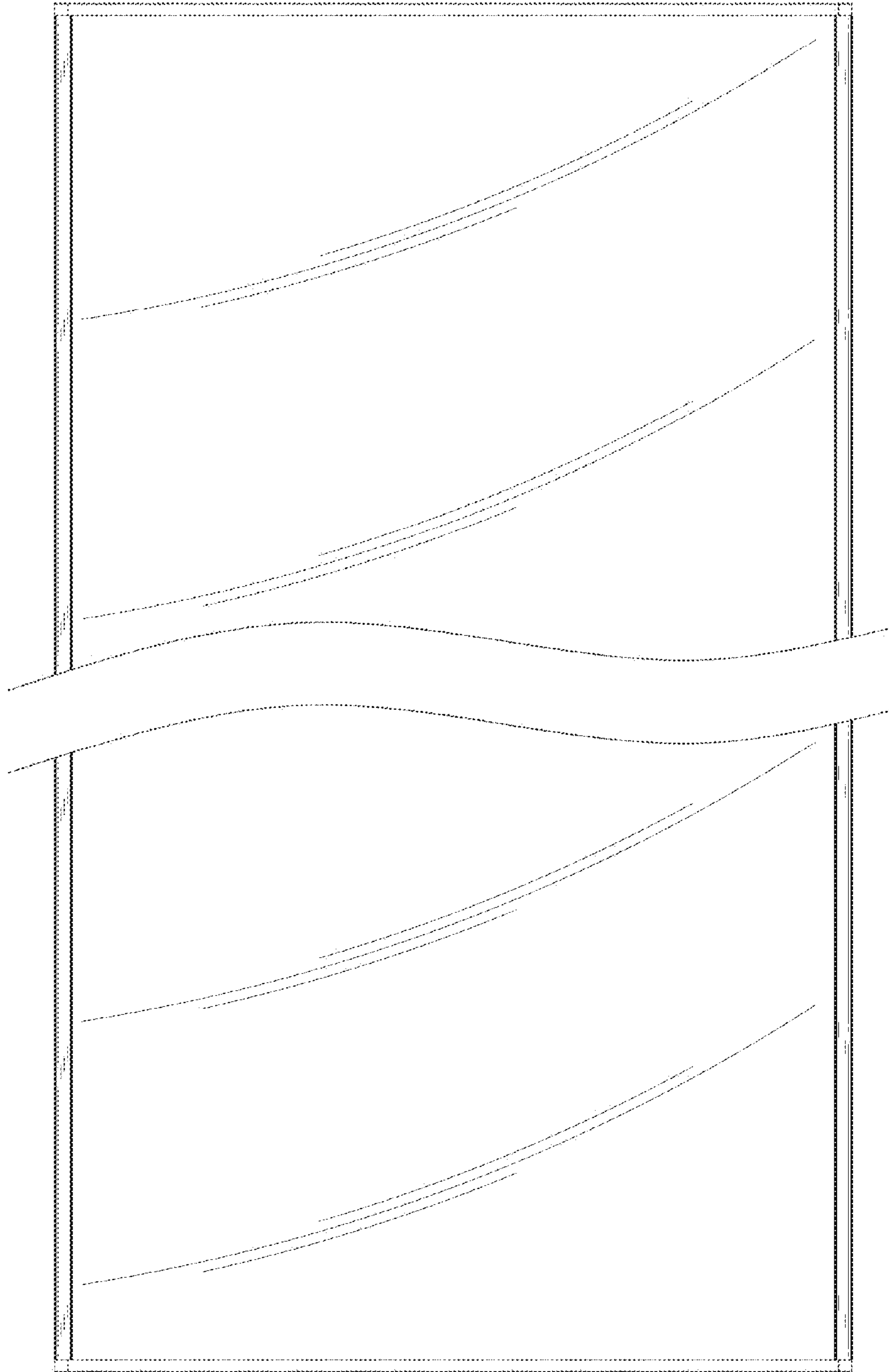


FIG. 7