



US00D738030S

(12) **United States Design Patent**
Martins et al.

(10) **Patent No.:** **US D738,030 S**

(45) **Date of Patent:** **** Sep. 1, 2015**

(54) **LIGHT FIXTURE**

(71) Applicant: **GE LIGHTING SOLUTIONS, LLC**,
East Cleveland, OH (US)

(72) Inventors: **Jeremias Anthony Martins**, Twinsburg,
OH (US); **Timothy Alan Taubert**,
Willoughby, OH (US); **Simon Lee**
Fisher, Cambridgeshire (GB); **Matthew**
James Free, Cambridgeshire (GB)

(73) Assignee: **GE LIGHTING SOLUTIONS, LLC**,
East Cleveland, OH (US)

(**) Term: **14 Years**

(21) Appl. No.: **29/485,164**

(22) Filed: **Mar. 17, 2014**

(51) **LOC (10) Cl.** **26-99**

(52) **U.S. Cl.**
USPC **D26/118**

(58) **Field of Classification Search**
USPC D26/9, 10, 12, 13, 15, 16, 51, 61, 72,
D26/76, 80, 81, 85, 86, 88, 90, 113, 118,
D26/119, 120, 122, 128, 129, 138, 143, 144
See application file for complete search history.

(56) **References Cited**

U.S. PATENT DOCUMENTS

1,606,200	A *	11/1926	Williams	362/373
D156,014	S *	11/1949	Lazerson	D26/78
2,740,883	A *	4/1956	Kruger	362/219
D262,659	S *	1/1982	Latta et al.	D26/35
4,531,180	A *	7/1985	Hernandez	362/297
D321,407	S *	11/1991	Heidmann	D26/72
D321,409	S *	11/1991	Bischof et al.	D26/91
D405,906	S *	2/1999	Herst et al.	D26/76
6,305,816	B1 *	10/2001	Corcorran et al.	362/147
D452,030	S *	12/2001	Collver	D26/76
D466,244	S *	11/2002	Lewis et al.	D26/76
D483,510	S *	12/2003	Fritze et al.	D26/75

6,817,731	B2 *	11/2004	Tufte	362/223
7,131,753	B1 *	11/2006	Edwards, Jr.	362/405
D543,654	S *	5/2007	Hargreaves	D26/76
D553,287	S *	10/2007	Miller	D26/75
D591,449	S *	4/2009	Schuyler	D26/154

(Continued)

OTHER PUBLICATIONS

Trigemino, image post date Jan. 12, 2012, site visited Dec. 2, 2014,
(online), <<http://puzzling-parts.thejuggler.net/?p=1325>>.*

(Continued)

Primary Examiner — Kevin Rudzinski

Assistant Examiner — Sean D Lough

(74) *Attorney, Agent, or Firm* — GE Global Patent
Operation; Peter T. DiMauro

(57) **CLAIM**

We claim the ornamental design for a light fixture, as shown
and described.

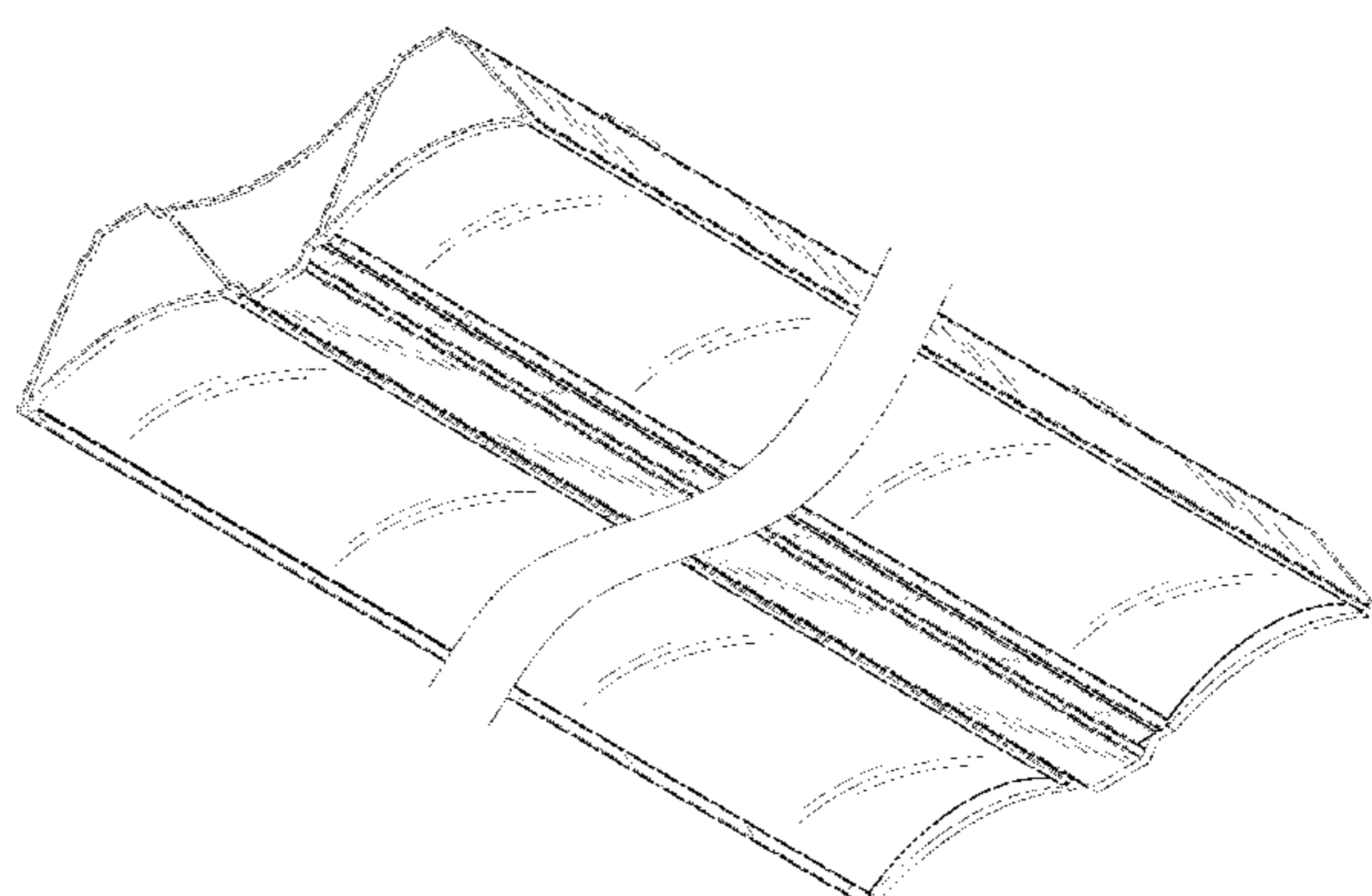
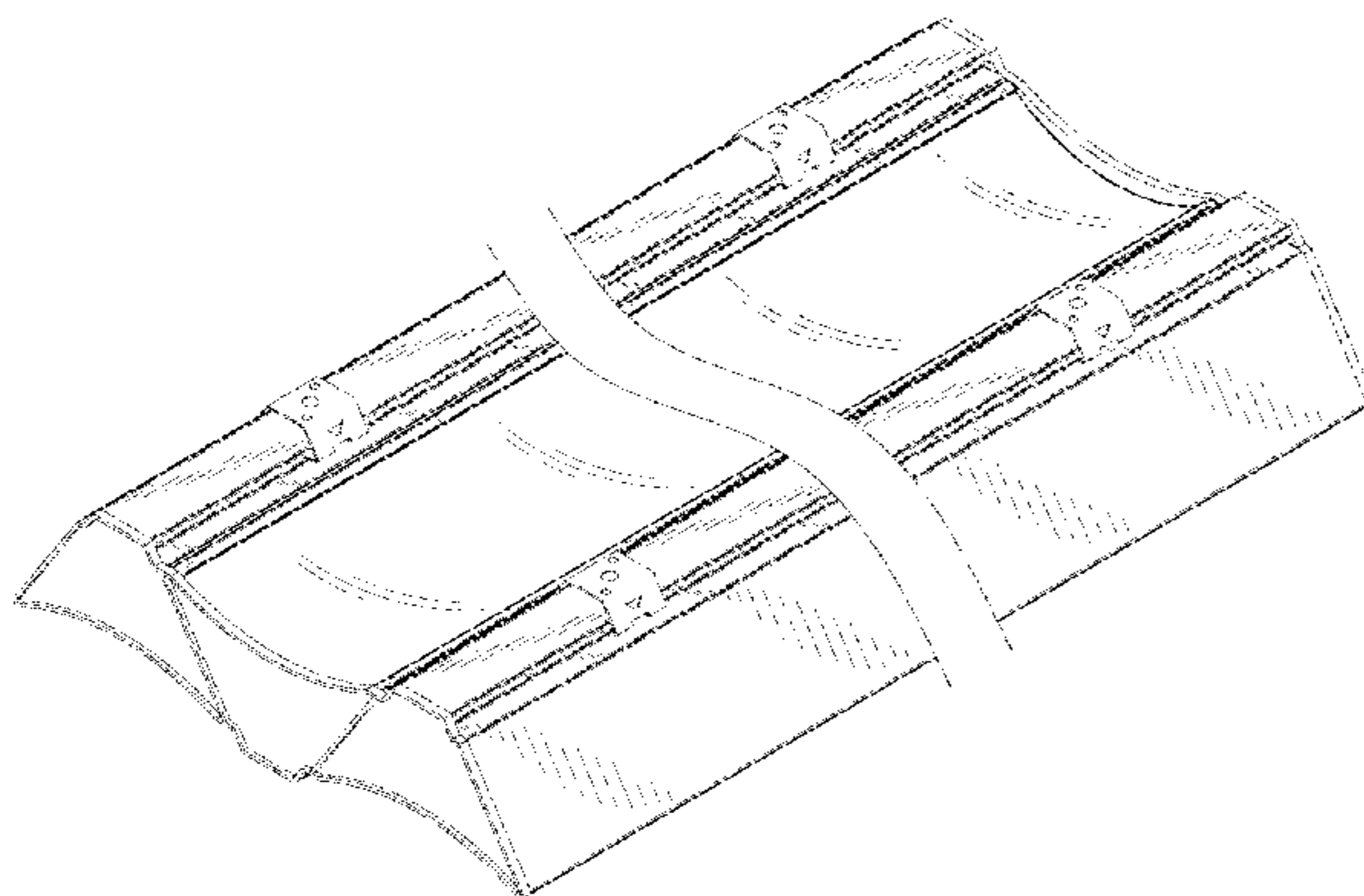
DESCRIPTION

FIG. 1 is a top perspective view of a light fixture in accordance
with the present design;
FIG. 2 is a bottom perspective view thereof;
FIG. 3 is a side plan view thereof;
FIG. 4 is a cross-sectional plan view taken along line 4-4 of
FIG. 3;
FIG. 5 is a side plan view thereof;
FIG. 6 is a top plan view thereof; and,
FIG. 7 is a bottom plan view thereof.

The broken lines (where present) in all Figs. illustrate por-
tions of the light fixture that form no part of the claimed
design. Any shading forms no part of the claimed design and
is provided to illustrate contour only and is not an indication
of texture, gloss, and the like.

The light fixture is shown with a break in the middle of the
design. The portions of the design not shown form no part of
the claimed design.

1 Claim, 6 Drawing Sheets



(56)

References Cited

U.S. PATENT DOCUMENTS

D603,087	S *	10/2009	Mo et al.	D26/119
D605,342	S *	12/2009	Chung et al.	D26/118
D608,490	S *	1/2010	Chung et al.	D26/118
D633,640	S *	3/2011	Wauters	D26/85
D638,982	S *	5/2011	Friedman	D26/118
7,972,044	B2 *	7/2011	Burkhauser	362/373
D643,148	S *	8/2011	Jabra et al.	D26/120
D644,780	S *	9/2011	Jabra et al.	D26/120
8,313,216	B2 *	11/2012	Lai	362/249.02
D693,047	S *	11/2013	Haumann	D26/89
D701,990	S *	4/2014	Rodgers et al.	D26/76
D704,374	S *	5/2014	Notaney et al.	D26/118
D706,485	S *	6/2014	Waldmann	D26/138
D710,528	S *	8/2014	Wardenburg et al.	D26/75
2004/0184264	A1 *	9/2004	Elam et al.	362/148
2009/0109670	A1 *	4/2009	Boyer	362/234
2011/0255276	A1 *	10/2011	Coward	362/217.02
2012/0069582	A1 *	3/2012	Chang	362/371
2012/0087118	A1 *	4/2012	Bailey et al.	362/235
2012/0275150	A1 *	11/2012	Yokotani et al.	362/235
2013/0021792	A1 *	1/2013	Snell et al.	362/218

OTHER PUBLICATIONS

Brancusi Form Oak Sculpture Stand, image post date 1950s-60s, site visited Dec. 2, 2014, (online), <https://www.1stdibs.com/furniture/building-garden/pedestals-columns/1950s-60s-brancusi-form-oak-sculpture-stand/id-f_581154/>.*

TRS2-332-UNV-ISN, image post date May 6, 2013, site visited Dec. 2, 2014, (online), <<http://www.shineretrofits.com/new-earth-lighting-trs2-332-unv-isn-2-x-4-standard-troffer-3-x-f32t8-120v-277v-instant-start-normal-bf.html>>.*

NPL date for TRS2-332-UNV-ISN from Wayback Machine, image post date Dec. 2, 2014, site visited Dec. 2, 2014, (online), <http://web.archive.org/web/20130506140906*/http://www.shineretrofits.com/new-earth-lighting-trs2-332-unv-isn-2-x-4-standard-troffer-3-x-f32t8-120v-277v-instant-start-normal-bf.html>.*

T5HO 2x54W office suspended down fixtures, image post date Feb. 1, 2013, site visited Oct. 10, 2014, (online), <<http://www.brandonlighting.lightstrade.com/view/109845/T5HO-2x54W-office-suspended-down-fixtures.html>>.*

Wayback Machine date for T5HO, image post date Oct. 10, 2014, site visited Oct. 10, 2014, (online), <http://web.archive.org/web/*/http://www.brandonlighting.lightstrade.com/view/109845/T5HO-2x54W-office-suspended-down-fixtures.html>.*

Verflechtung, image post date 2001, site visited Dec. 2, 2014, (online), <<http://www.kuenstlerbund.de/deutsch/mitglieder/mitglieder/stumm-johannes-von.html?ch=>>>.*

Zipshape, image post date Jan. 14, 2009, site visited Dec. 3, 2014, (online), <<http://old.designboom.com/weblog/cat/8/view/5093/imm-cologne-09-preview-zipshape-by-schindlersalmeron.html>>.*

Interlocking border of a Yarkand rug, East Turkestan, 18th Century, image post date Mar. 20, 2008, site visited Dec. 3, 2014, (online), <<http://www.artwis.com/articles/the-life-of-a-carpet/>>.*

Jig-saw lock shape, image post date Apr. 21, 2012, site visited Dec. 3, 2014, (online), <<http://www.cropcircleconnector.com/anasazi/underpants2012.html>>.*

NPL date for jig-saw lock shape from Wayback Machine, image post date Dec. 3, 2014, site visited Dec. 3, 2014, (online), <http://web.archive.org/web/20120215000000*/http://www.cropcircleconnector.com/anasazi/underpants2012.html>.*

LT-200 Triangular Tiles, image post date Oct. 25, 2012, site visited Dec. 3, 2014, (online), <<http://web.archive.org/web/20121025024654/http://www.mosaictilesupplies.com/seek-lyric-retro-treble-glazed-triangle-tiles-lt200.aspx>>.*

* cited by examiner

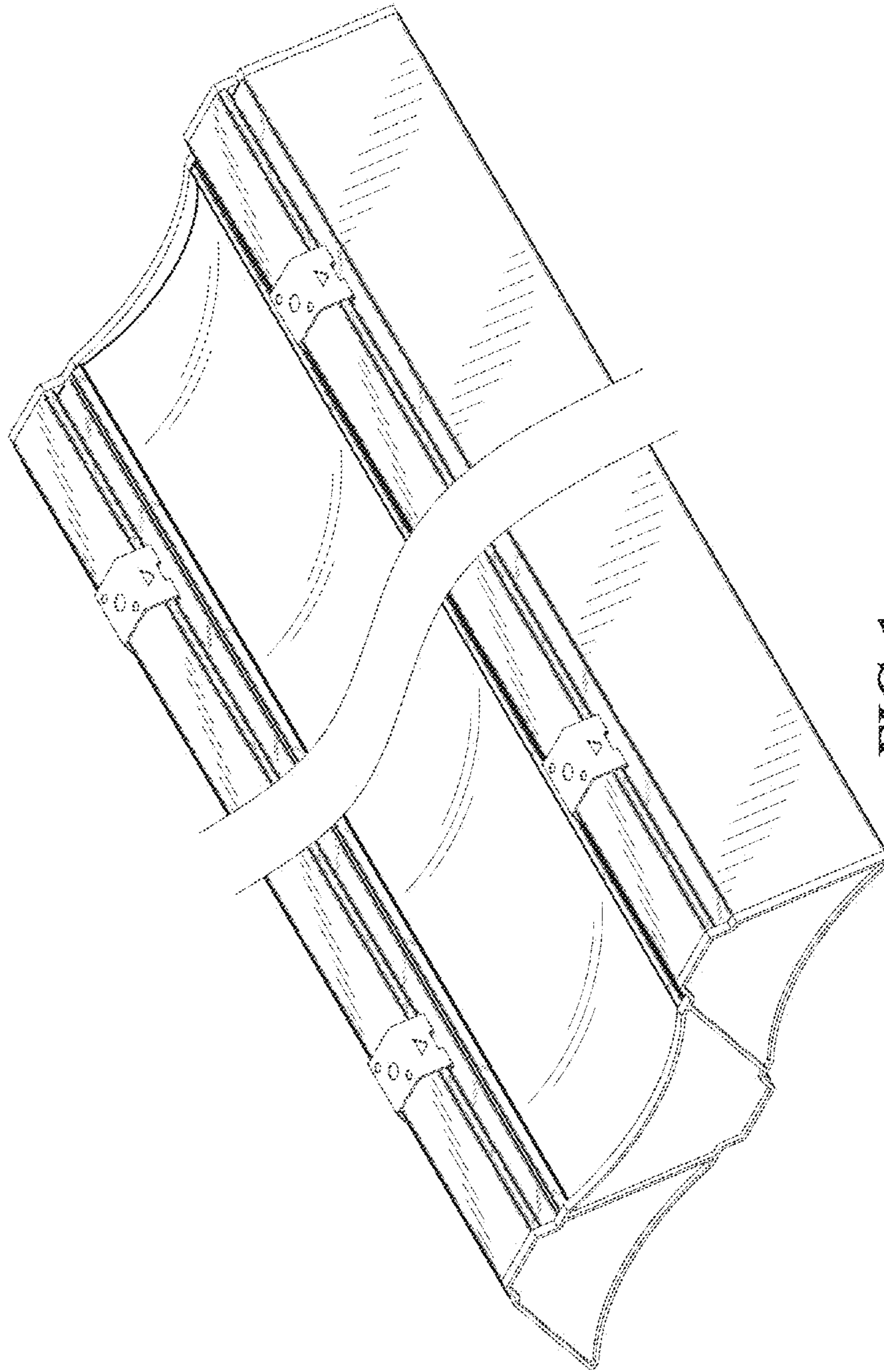


FIG. 1

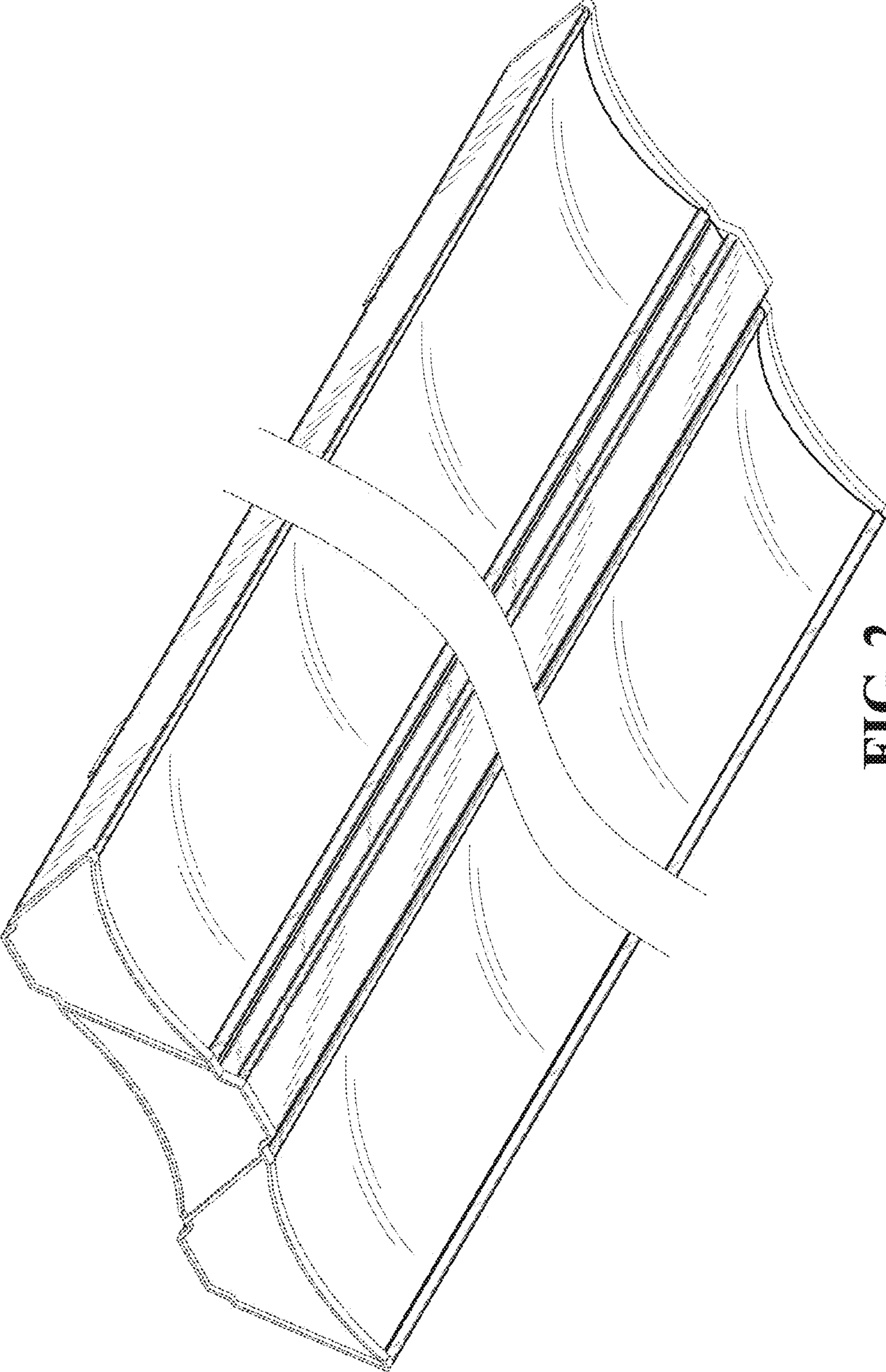


FIG. 2

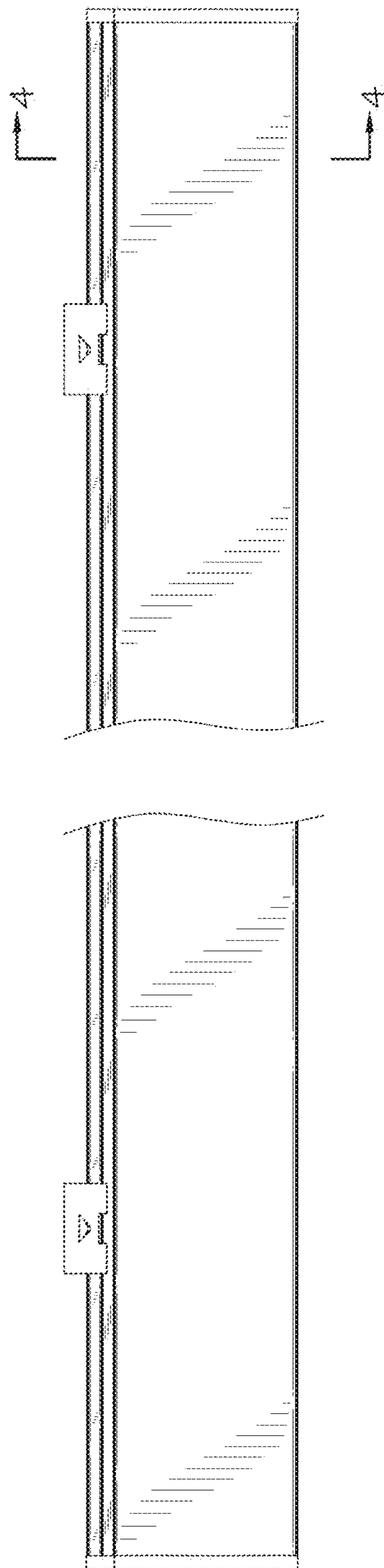


FIG. 3

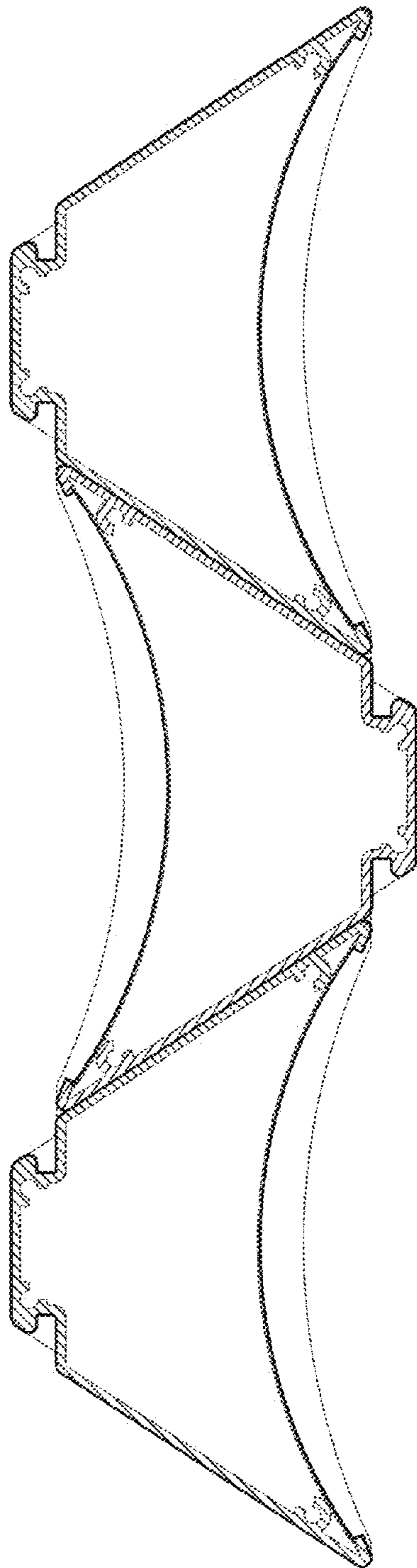


FIG. 4

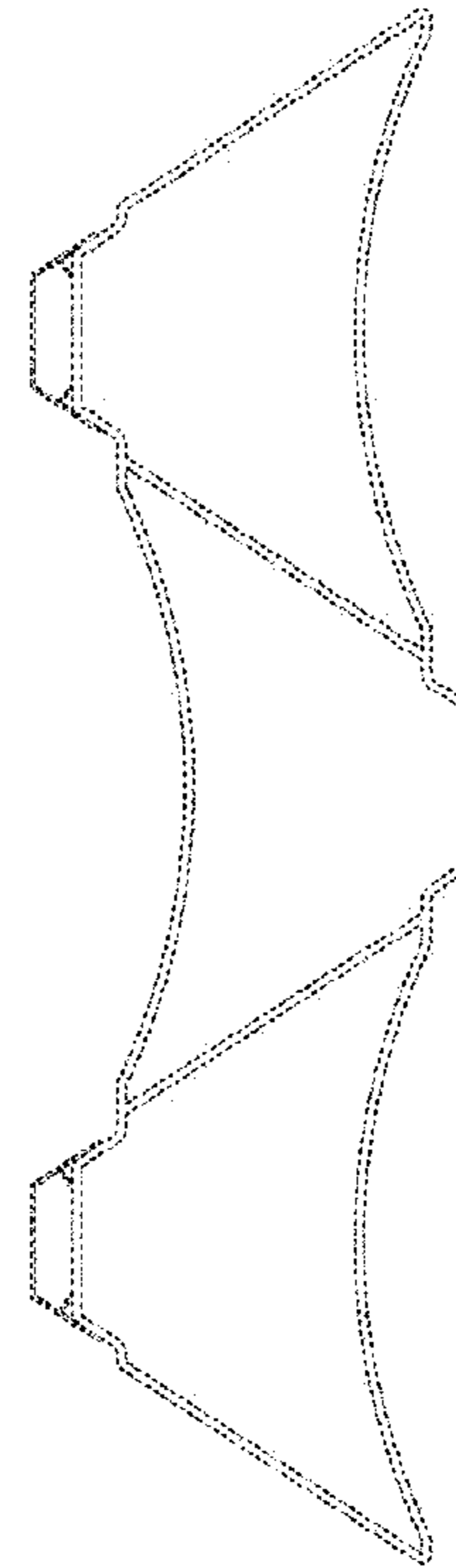


FIG. 5

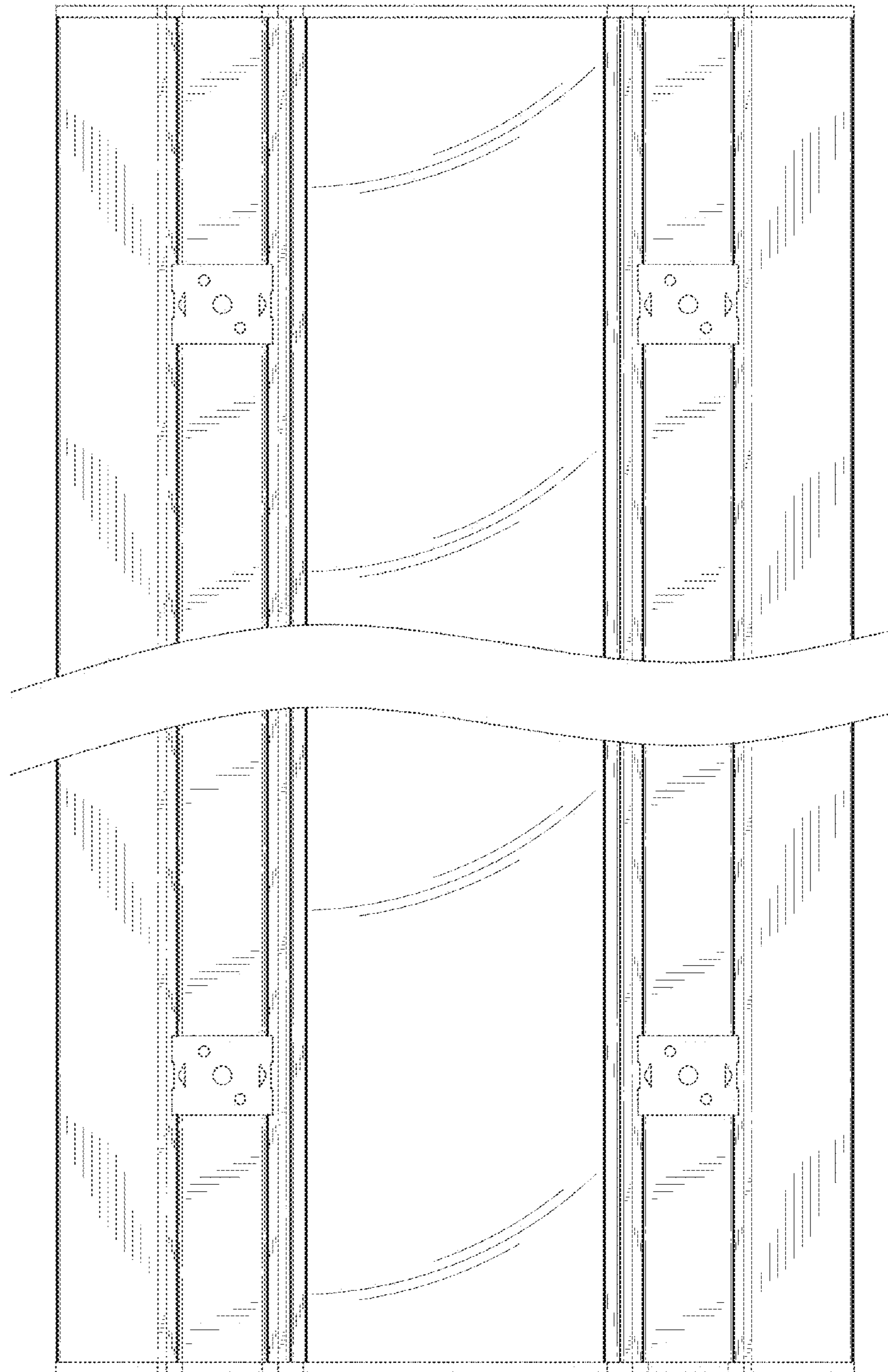


FIG. 6

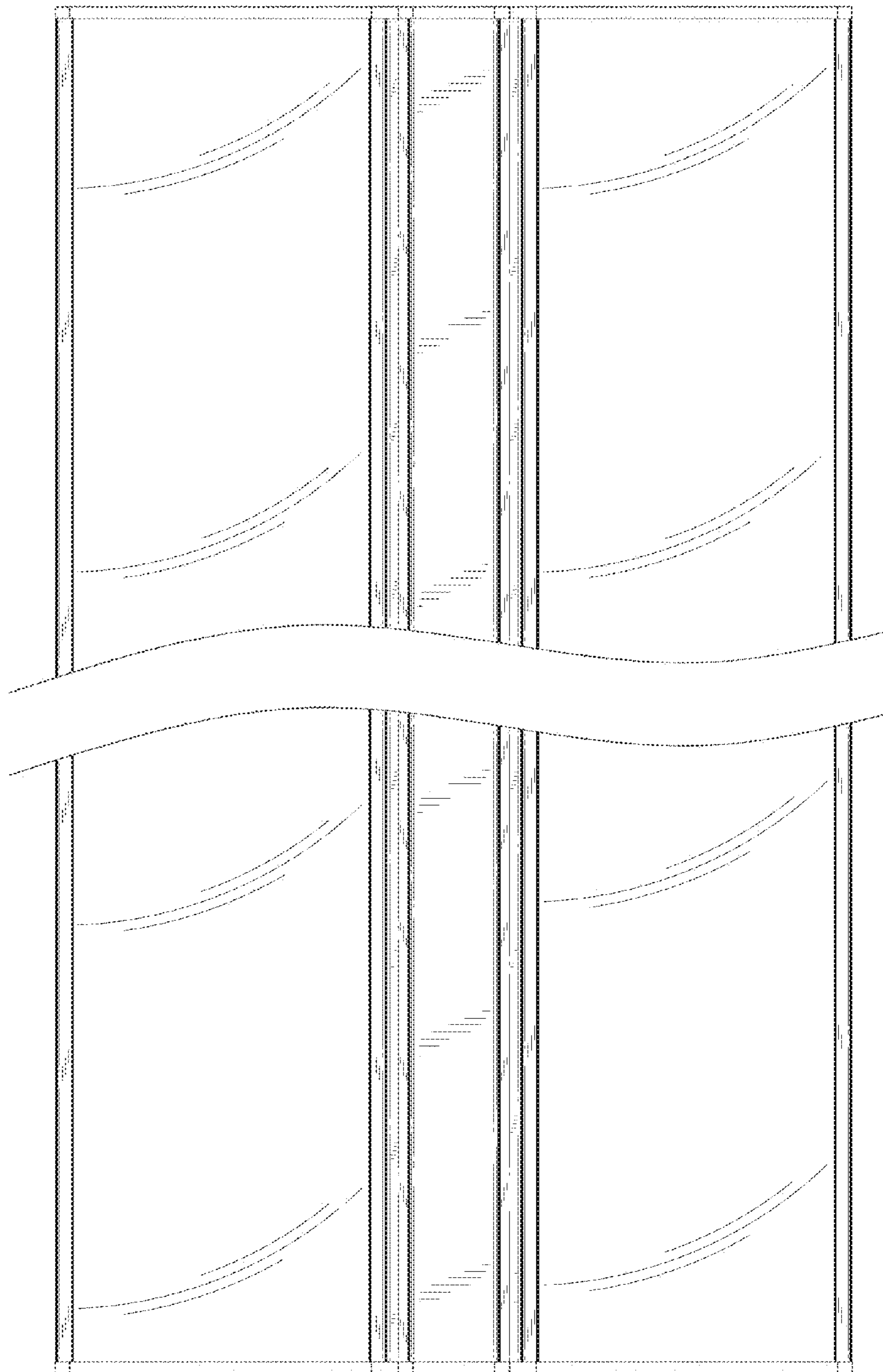


FIG. 7