



US00D738026S

(12) **United States Design Patent**
Dungan et al.

(10) **Patent No.:** **US D738,026 S**

(45) **Date of Patent:** **** Sep. 1, 2015**

(54) **LINEAR WRAP LIGHT FIXTURE**
(71) Applicant: **CREE, INC.**, Durham, NC (US)
(72) Inventors: **William Laird Dungan**, Cary, NC (US); **Nathan Snell**, Raleigh, NC (US); **James Michael Lay**, Apex, NC (US); **Jennifer West**, Cary, NC (US); **Peter Lopez**, Cary, NC (US); **S. Scott Pratt**, Cary, NC (US)

(73) Assignee: **Cree, Inc.**, Durham, NC (US)

(**) Term: **14 Years**

(21) Appl. No.: **29/449,316**

(22) Filed: **Mar. 14, 2013**

(51) **LOC (10) Cl.** **26-03**

(52) **U.S. Cl.**
USPC **D26/76**

(58) **Field of Classification Search**
USPC D26/3, 24, 35, 39, 42, 71, 72, 75, 76,
D26/78, 79, 80, 81, 82, 83, 85, 88, 90, 118,
D26/119, 120, 121, 122, 138; 362/23.07,
362/23.09, 23.16, 217.01, 217.02, 217.05,
362/217.08, 217.09, 249.02, 260, 311.02,
362/555, 612, 614, 800

See application file for complete search history.

(56) **References Cited**

U.S. PATENT DOCUMENTS

D123,761	S *	12/1940	Levaur	D26/75
D168,943	S *	3/1953	Pierper	D26/78
4,946,547	A	8/1990	Palmour et al.		
5,200,022	A	4/1993	Kong et al.		
D344,605	S *	2/1994	Aspenwall	D26/76
D345,316	S *	3/1994	Green et al.	D26/35
RE34,861	E	2/1995	Davis et al.		
5,690,415	A	11/1997	Krehl	362/125
5,823,663	A	10/1998	Bell et al.		
5,951,150	A	9/1999	Helstern	362/293

6,210,025	B1	4/2001	Schmidt et al.		
6,536,924	B2	3/2003	Segretto	362/345
D473,328	S *	4/2003	Chelf	D26/3
D476,753	S *	7/2003	Chelf et al.	D26/3
6,667,451	B1	12/2003	Hart	200/314
6,739,734	B1	5/2004	Hulgan	362/243
6,914,194	B2	7/2005	Fan		
7,213,940	B1	5/2007	Van de Ven et al.		
7,387,410	B2	6/2008	Sibout	362/375

(Continued)

OTHER PUBLICATIONS

Circalok™ conductive adhesive, 6972 and 6968. by Lord Corporation. 2 pages.

(Continued)

Primary Examiner — George D Kirschbaum

Assistant Examiner — Natasha Vujcic

(74) *Attorney, Agent, or Firm* — Koppel, Patrick, Heybl & Philpott

(57) **CLAIM**

The ornamental design for a linear wrap light fixture, as shown and described herein.

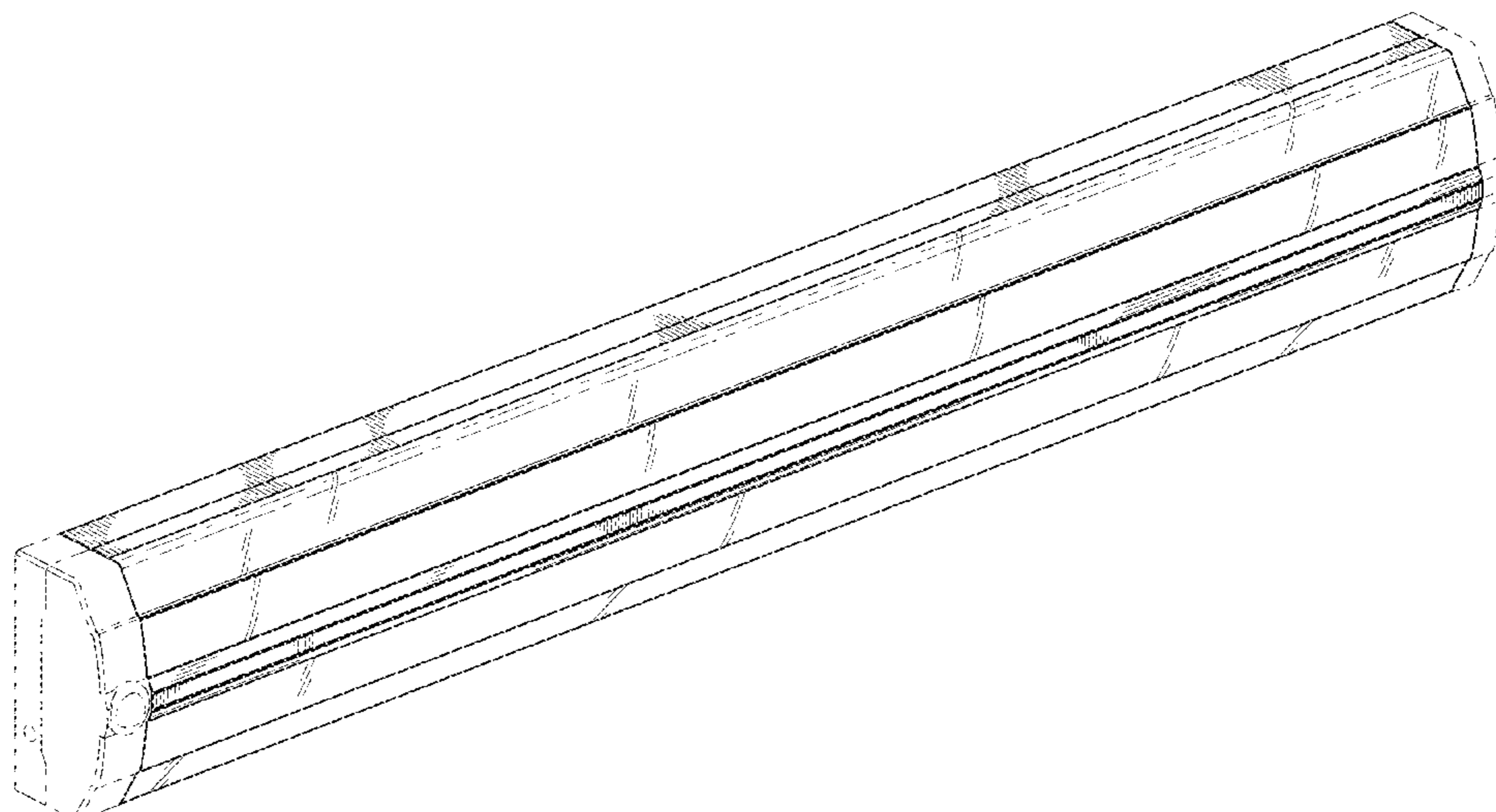
DESCRIPTION

FIG. 1 is a front perspective view of the present invention; FIG. 2 is a right end elevation view, with the left end being a mirror image thereof; FIG. 3 is a front elevation view thereof; FIG. 4 is a top elevation view with the opposite side being a mirror image thereof; FIG. 5 is rear elevation view thereof; and, FIG. 6 is a perspective view thereof.

The broken lines in the drawings illustrate portions of the linear wrap light fixture which form no part of the claimed design.

The break lines in FIG. 6 indicate that the appearance of any portion of the liner indirect asymmetric light fixture between the break lines forms no part of the claimed design.

1 Claim, 3 Drawing Sheets



(56)

References Cited

U.S. PATENT DOCUMENTS

D603,078 S * 10/2009 Noh D26/76
 D606,229 S * 12/2009 Johansen et al. D26/76
 7,628,506 B2 12/2009 Verfuert et al. 362/218
 D607,599 S * 1/2010 Zhou et al. D26/76
 7,722,220 B2 5/2010 Van de Ven et al.
 D617,487 S * 6/2010 Fowler et al. D26/76
 7,791,061 B2 9/2010 Edmond et al.
 D633,640 S * 3/2011 Wauters D26/76
 8,058,088 B2 11/2011 Cannon et al.
 8,206,004 B2 6/2012 Serak et al. 362/217
 D669,204 S * 10/2012 Snell et al. D26/76
 D671,254 S * 11/2012 Miyatake et al. D26/75
 8,317,369 B2 11/2012 McCannless 362/368
 D675,365 S * 1/2013 Beghelli D26/78
 D679,440 S * 4/2013 Smith D26/80
 8,523,383 B1 9/2013 Grigore et al. 362/221
 D695,443 S * 12/2013 Kaule et al. D26/76
 2005/0146867 A1 7/2005 Kassay et al. 362/217
 2006/0050505 A1 3/2006 McCarthy et al. 362/219
 2006/0146531 A1 * 7/2006 Reo et al. 362/244
 2007/0158668 A1 7/2007 Tarsa et al.
 2008/0128723 A1 6/2008 Pang
 2008/0173884 A1 7/2008 Chitnis et al.
 2008/0179611 A1 7/2008 Chitnis et al.
 2008/0258130 A1 10/2008 Bergmann et al.
 2008/0314944 A1 12/2008 Tsai et al. 224/331
 2009/0040782 A1 2/2009 Liu et al. 362/555
 2009/0184333 A1 7/2009 Wang et al.
 2009/0212304 A1 8/2009 Wang et al.
 2009/0224265 A1 9/2009 Wang et al.
 2009/0290345 A1 11/2009 Shaner 362/249.01
 2009/0296381 A1 12/2009 Dubord 362/218
 2010/0142205 A1 6/2010 Bishop 362/249.02
 2010/0155763 A1 6/2010 Donofrio et al.
 2011/0007514 A1 1/2011 Sloan et al. 362/368
 2011/0013400 A1 1/2011 Kanno et al.
 2011/0028006 A1 2/2011 Shah et al. 439/39
 2011/0163683 A1 7/2011 Steele et al. 315/192
 2011/0310604 A1 12/2011 Shimizu et al. 362/235
 2012/0002408 A1 1/2012 Lichten et al. 362/218
 2012/0075857 A1 3/2012 Verbrugh 362/249
 2012/0081883 A1 4/2012 Wang 362/101

2012/0120666 A1 5/2012 Moeller 362/308
 2012/0235199 A1 9/2012 Andrews et al.
 2013/0021792 A1 * 1/2013 Snell et al. 362/218
 2013/0050998 A1 2/2013 Chu et al. 362/218
 2013/0271979 A1 10/2013 Pearson et al. 362/235
 2013/0329425 A1 12/2013 Lowes et al.
 2014/0265809 A1 9/2014 Hussell

OTHER PUBLICATIONS

WhiteOpticstm White97 Film, Reflector Film Technical Data Sheet, WhiteOptics, LLC, New Castle, DE.
 U.S. Appl. No. 13/649,052, filed Oct. 10, 2012, Lowes, et al.
 U.S. Appl. No. 13/649,067, filed Oct. 10, 2012, Lowes, et al.
 U.S. Appl. No. 13/770,389, filed Feb. 19, 2013, Lowes, et al.
 U.S. Appl. No. 13/782,820, filed Mar. 1, 2013, Dixon, et al.
 U.S. Appl. No. 12/873,303, filed Aug. 31, 2010, Edmond, et al.
 U.S. Appl. No. 13/345,215, filed Jan. 6, 2012, Lu, et al.
 U.S. Appl. No. 13,442,311, filed Apr. 9, 2012, Lu, et al.
 U.S. Appl. No. 12/463,709, filed Jun. 11, 2009, Donofrio, et al.
 U.S. Appl. No. 11/656,759, filed Jan. 22, 2007, Chitnis, et al.
 U.S. Appl. No. 11/899,790, filed Sep. 7, 2007, Chitnis, et al.
 Office Action from U.S. Appl. No. 13/842,150. dated Jun. 18, 2014.
 Leviton LED Magnetic Tube Retrofit Series datasheet. 1 page, from www.leviton.com.
 Restriction Requirement from U.S. Appl. No. 13/839,130, dated Jul. 28, 2014.
 Office Action from U.S. Appl. No. 13/839.130, dated Sept. 25, 2014.
 Office Action from U.S. Appl. No. 13/829,558, dated Sep. 30, 2014.
 Office Action from U.S. Appl. No. 29/450,283, dated Nov. 5, 2014.
 Office Action from U.S. Appl. No. 13/840,812, dated Nov. 28, 2014.
 Office Action from U.S. Appl. No. 13/763,270, dated Oct. 3, 2014.
 Office Action from Patent U.S. Appl. No. 13/672,592, dated Jan. 7, 2015.
 Office Action from Patent U.S. Appl. No. 13/899,314, dated Jan. 15, 2015.
 Office Action from Patent U.S. Appl. No. 13/842,150, dated Jan. 22, 2015.
 Office Action from Patent U.S. Appl. No. 13/829,558, dated Mar. 9, 2015.
 Office Action from Patent U.S. Appl. No. 13/958,462, dated Mar. 10, 2015.

* cited by examiner

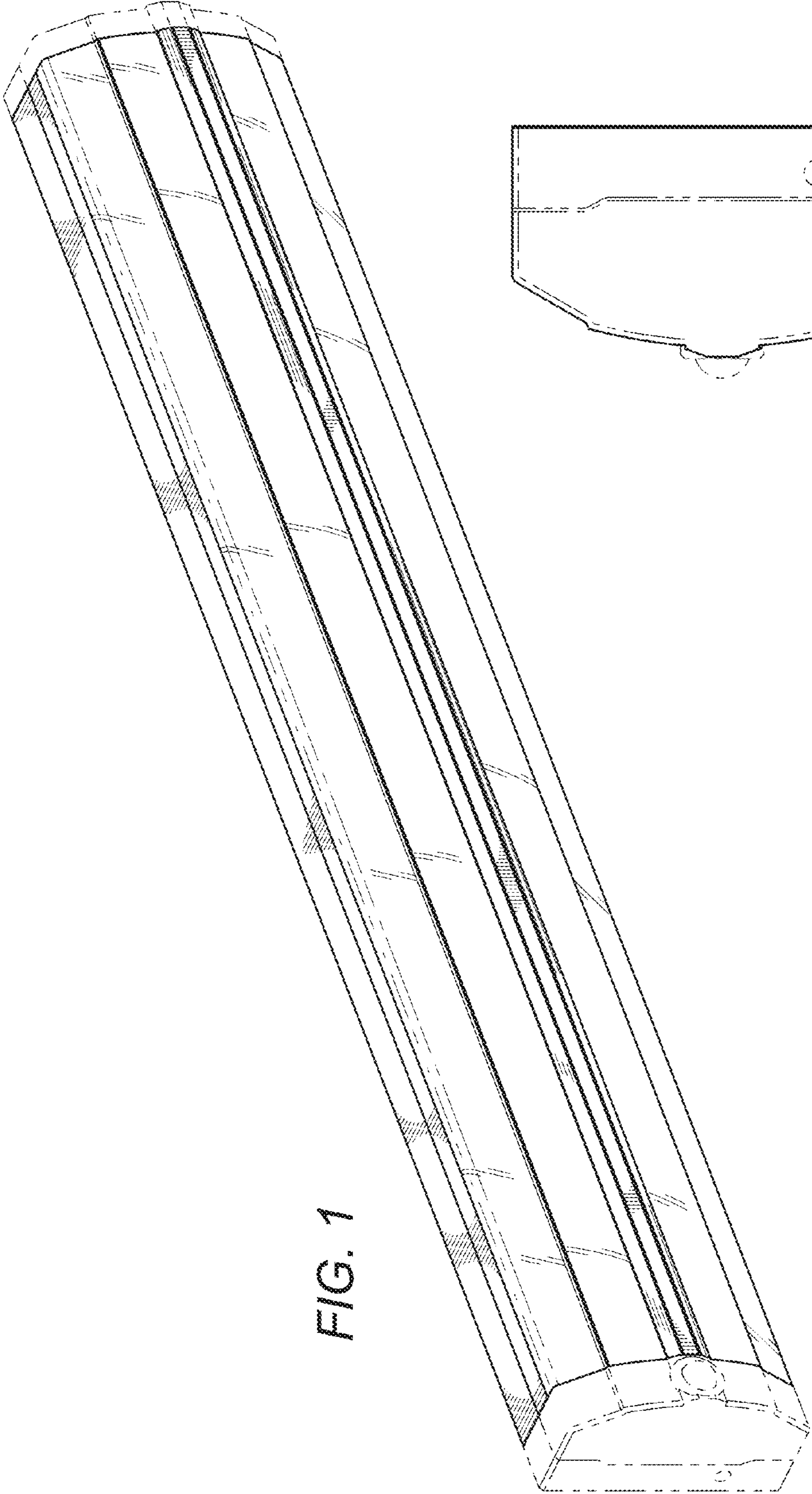


FIG. 1

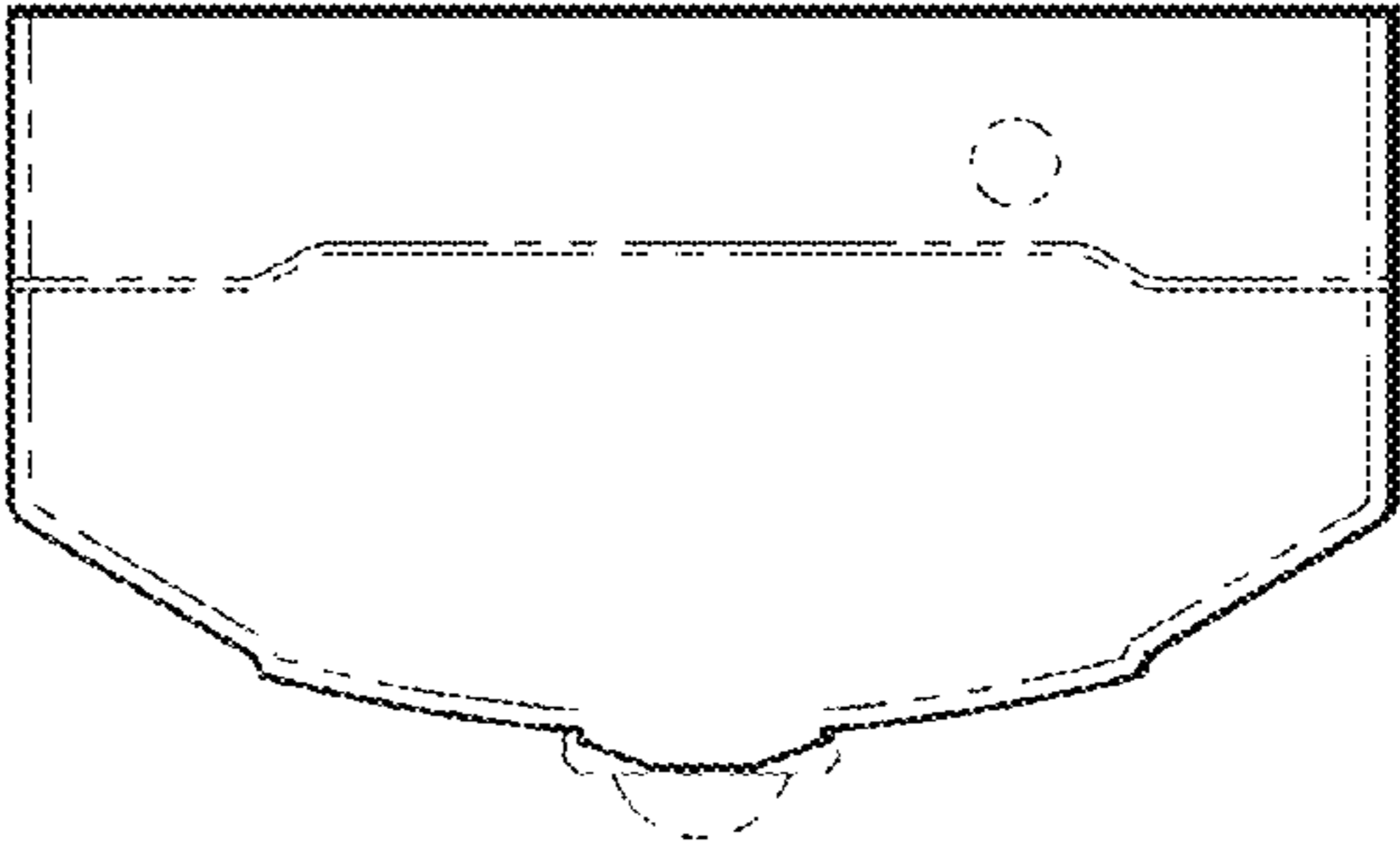


FIG. 2

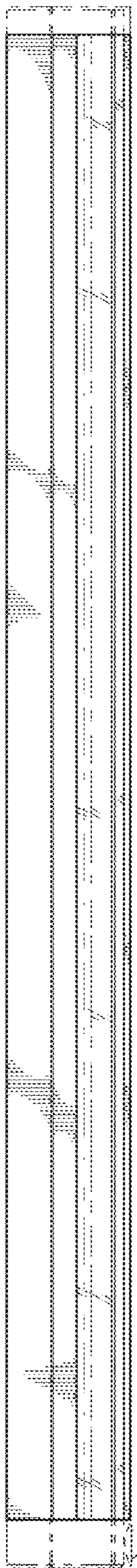


FIG. 4

FIG. 3

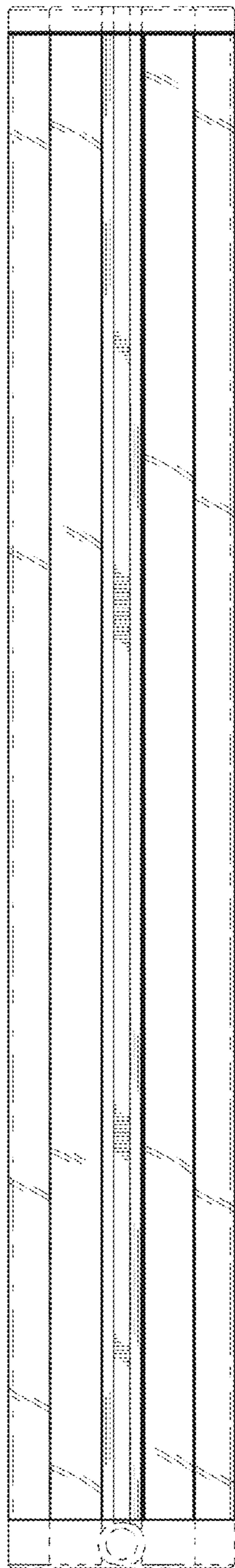
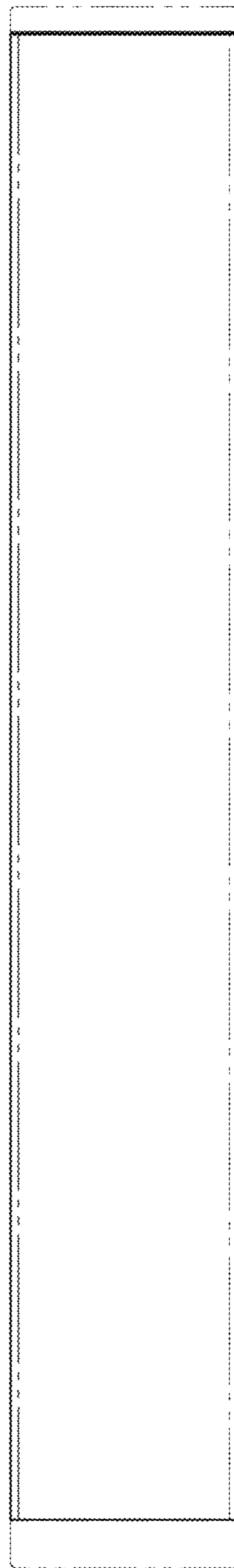


FIG. 5



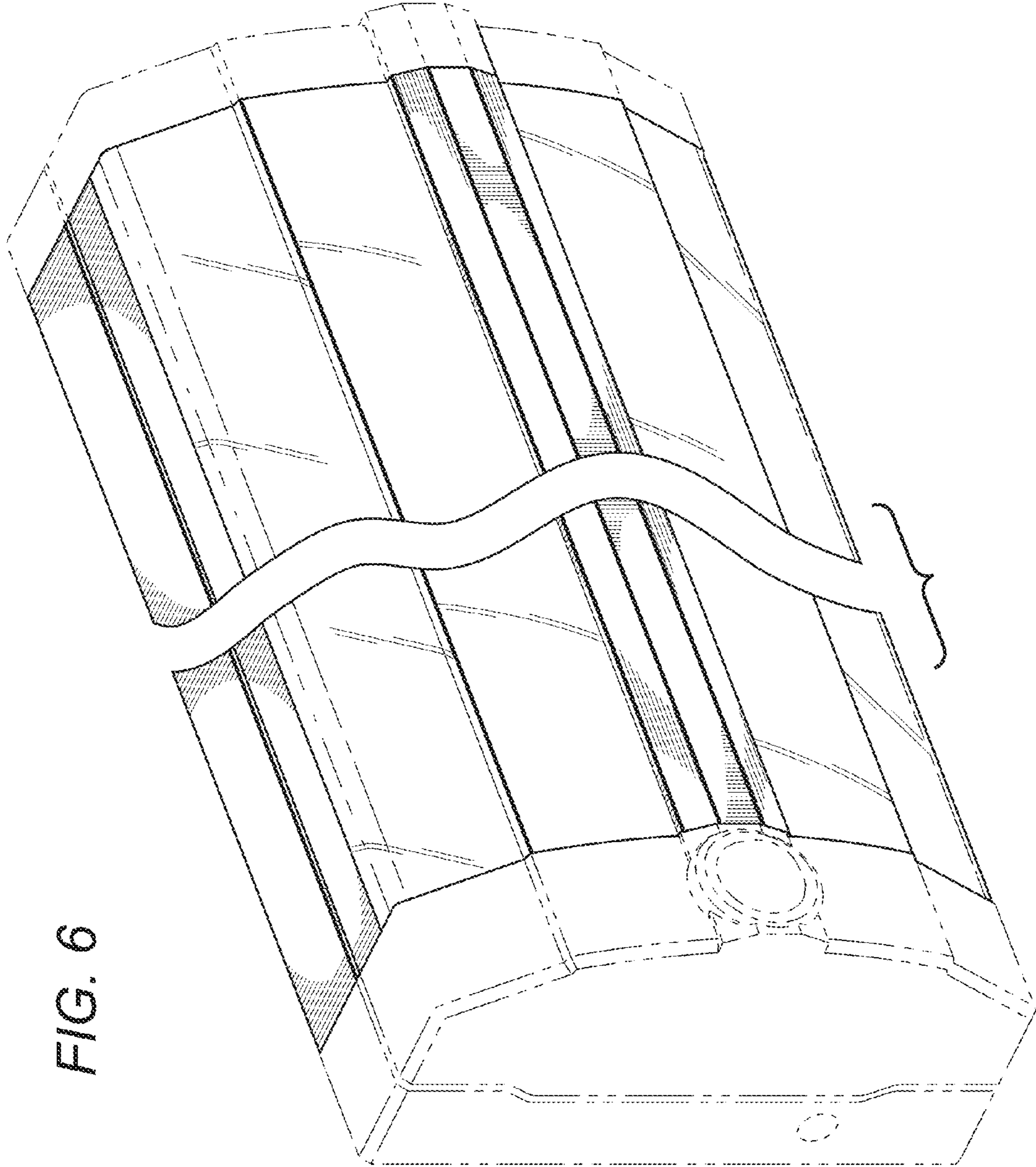


FIG. 6