



US00D738025S

(12) **United States Design Patent**
Messiaen

(10) **Patent No.:** **US D738,025 S**
(45) **Date of Patent:** **** Sep. 1, 2015**

(54) **LIGHTING FIXTURE**

(71) Applicant: **KONINKLIJKE PHILIPS N.V.**,
Eindhoven (NL)

(72) Inventor: **Lieven Messiaen**, Bruges (BE)

(73) Assignee: **KONINKLIJKE PHILIPS N.V.**,
Eindhoven (NL)

(**) Term: **14 Years**

(21) Appl. No.: **29/468,491**

(22) Filed: **Oct. 1, 2013**

(30) **Foreign Application Priority Data**

Apr. 1, 2013 (EM) 002212175-0003

(51) **LOC (10) Cl.** **26-03**

(52) **U.S. Cl.**
USPC **D26/63**

(58) **Field of Classification Search**
USPC D26/1, 24, 61, 63, 65, 85, 92
CPC F21V 21/14; F21V 15/01; F21V 14/02;
F21V 21/30; F21V 21/00; F21V 14/00;
F21S 8/00; F21S 8/003; F21S 8/043; F21Y
2105/001

See application file for complete search history.

(56) **References Cited**

U.S. PATENT DOCUMENTS

D202,727 S *	11/1965	Hahn	D26/65
D242,945 S *	1/1977	Moore	D26/65
D260,300 S *	8/1981	Aron	D26/63
D271,043 S *	10/1983	Parker	D26/63
D276,559 S *	11/1984	Krokaugger	D26/63
D328,148 S *	7/1992	Waldmann	D26/63

* cited by examiner

Primary Examiner — Brian N Vinson

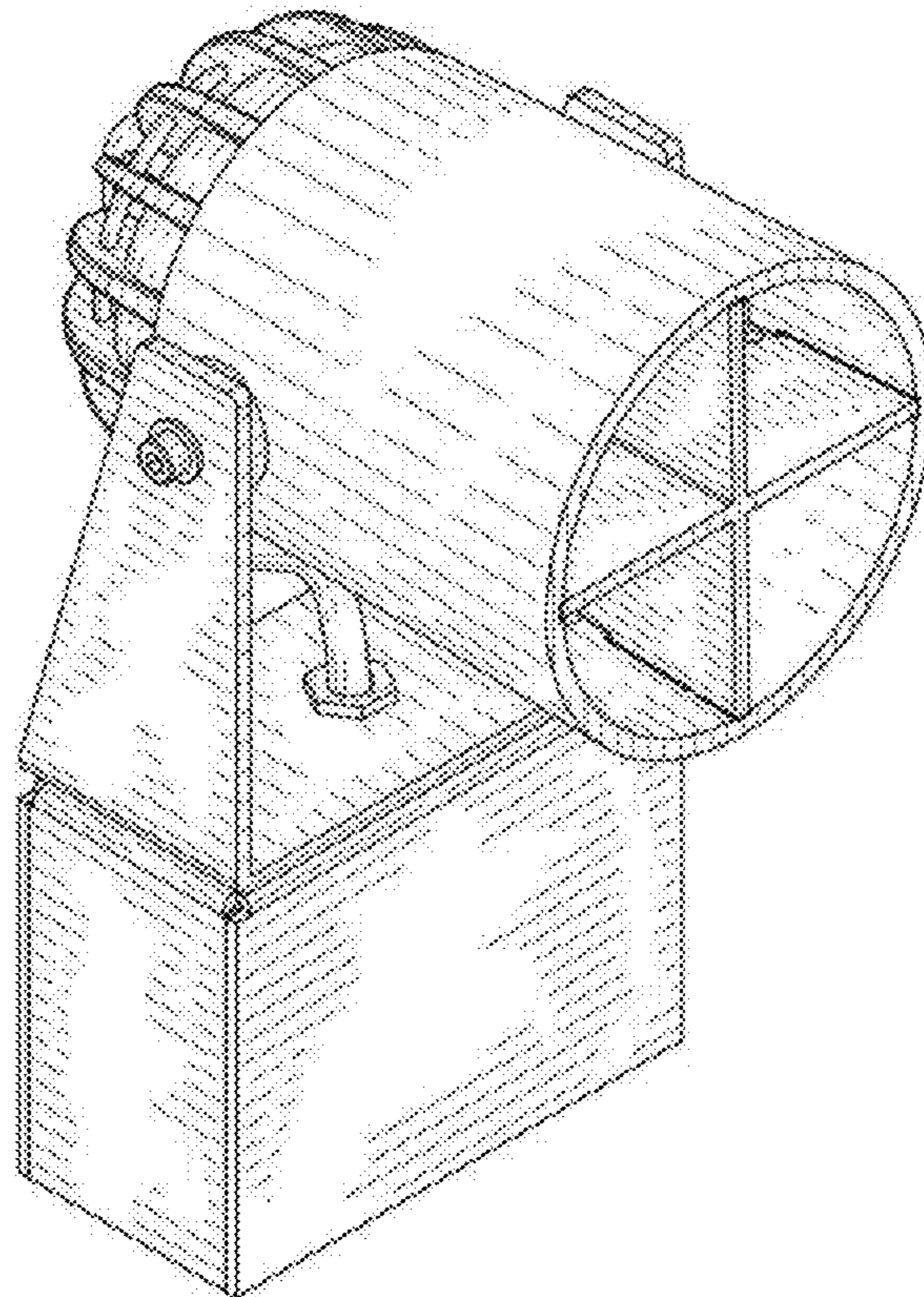
(57) **CLAIM**

The ornamental design for a lighting fixture, as shown.

DESCRIPTION

FIG. 1 is a perspective view showing my design;
FIG. 2 is a front elevational view thereof;
FIG. 3 is a rear elevational view thereof;
FIG. 4 is a right side elevational view thereof;
FIG. 5 is a left side elevational view thereof;
FIG. 6 is a top plan view thereof; and,
FIG. 7 is a bottom plan view thereof.

1 Claim, 4 Drawing Sheets



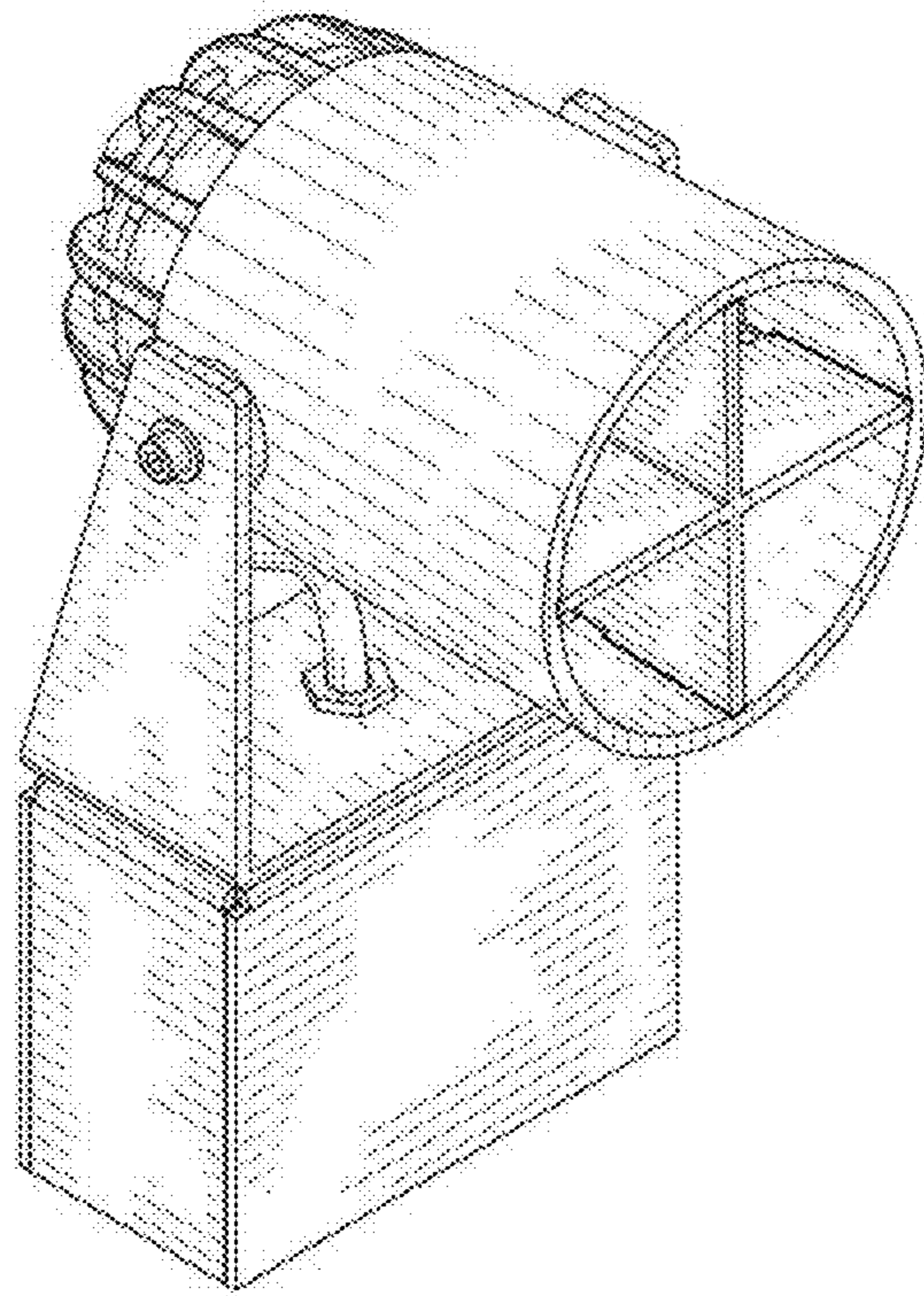


FIG. 1

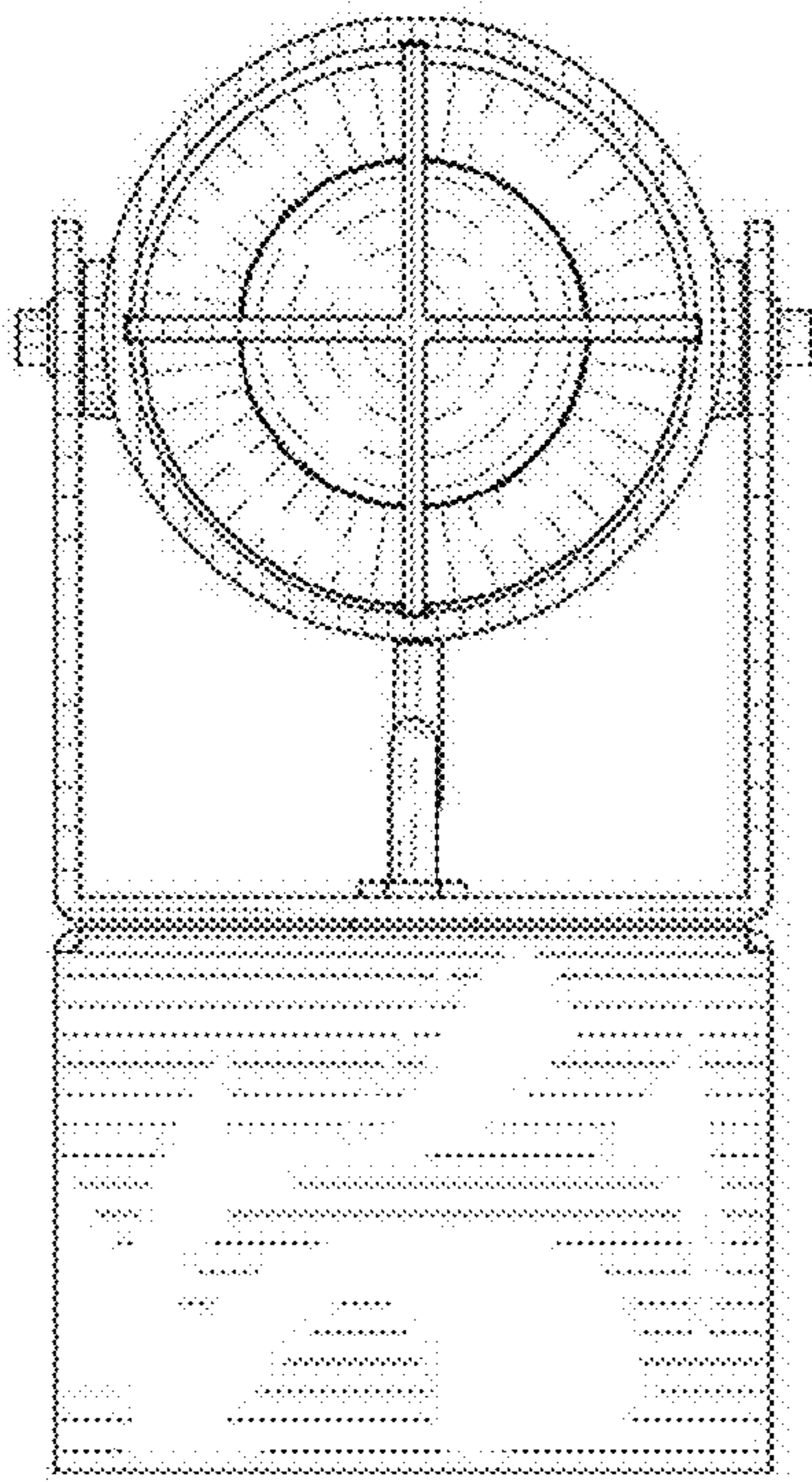


FIG. 2

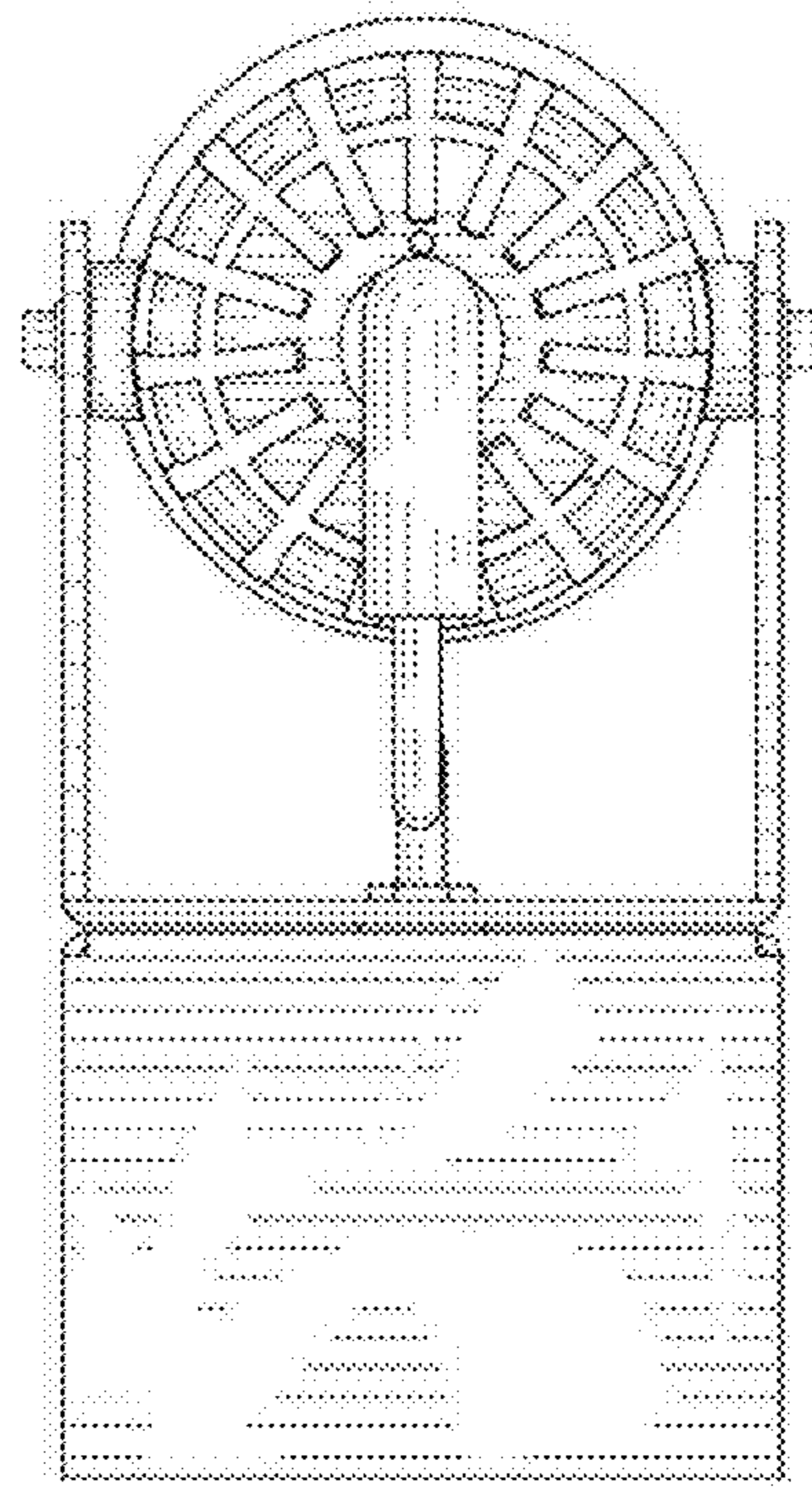


FIG. 3

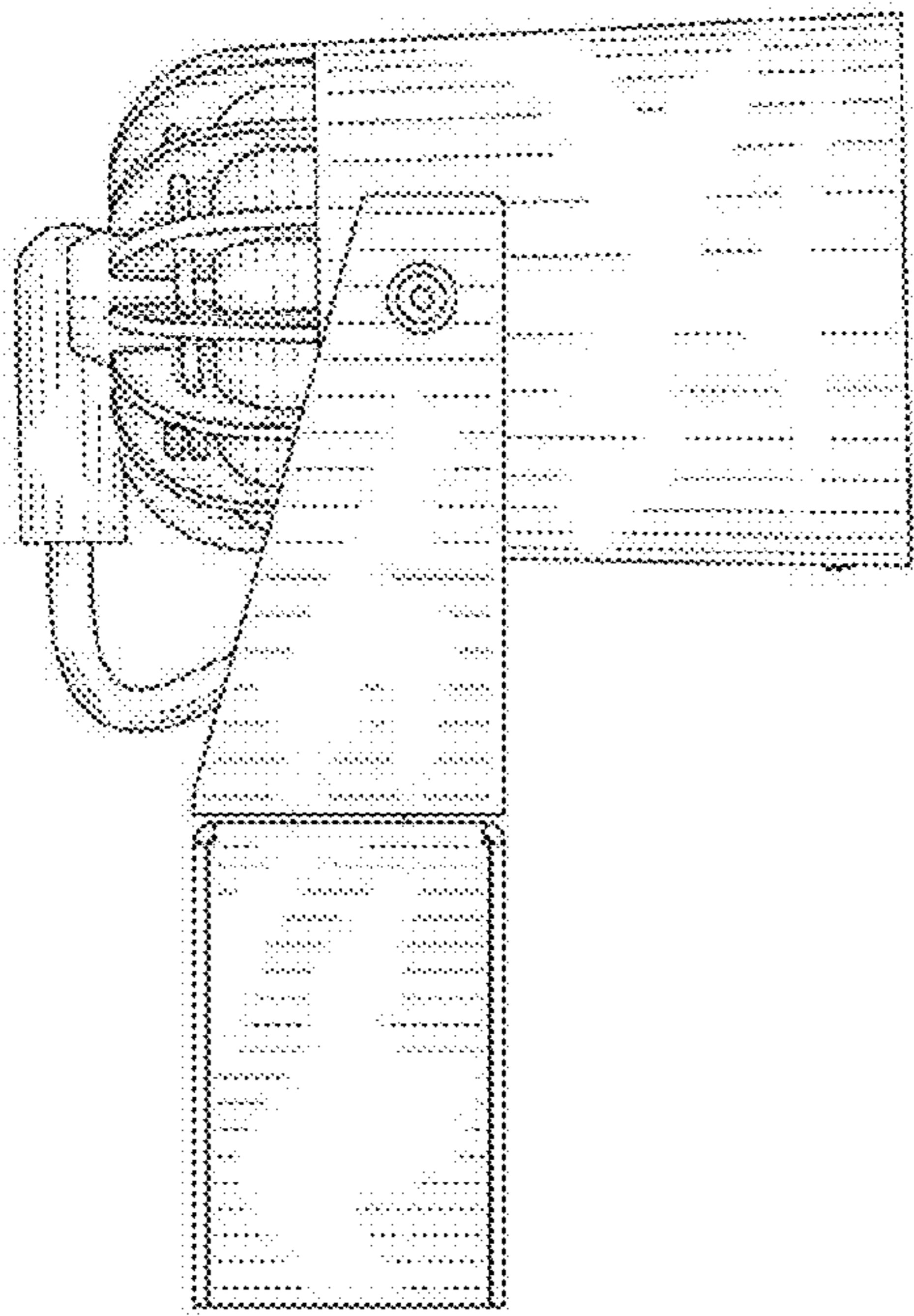


FIG. 4

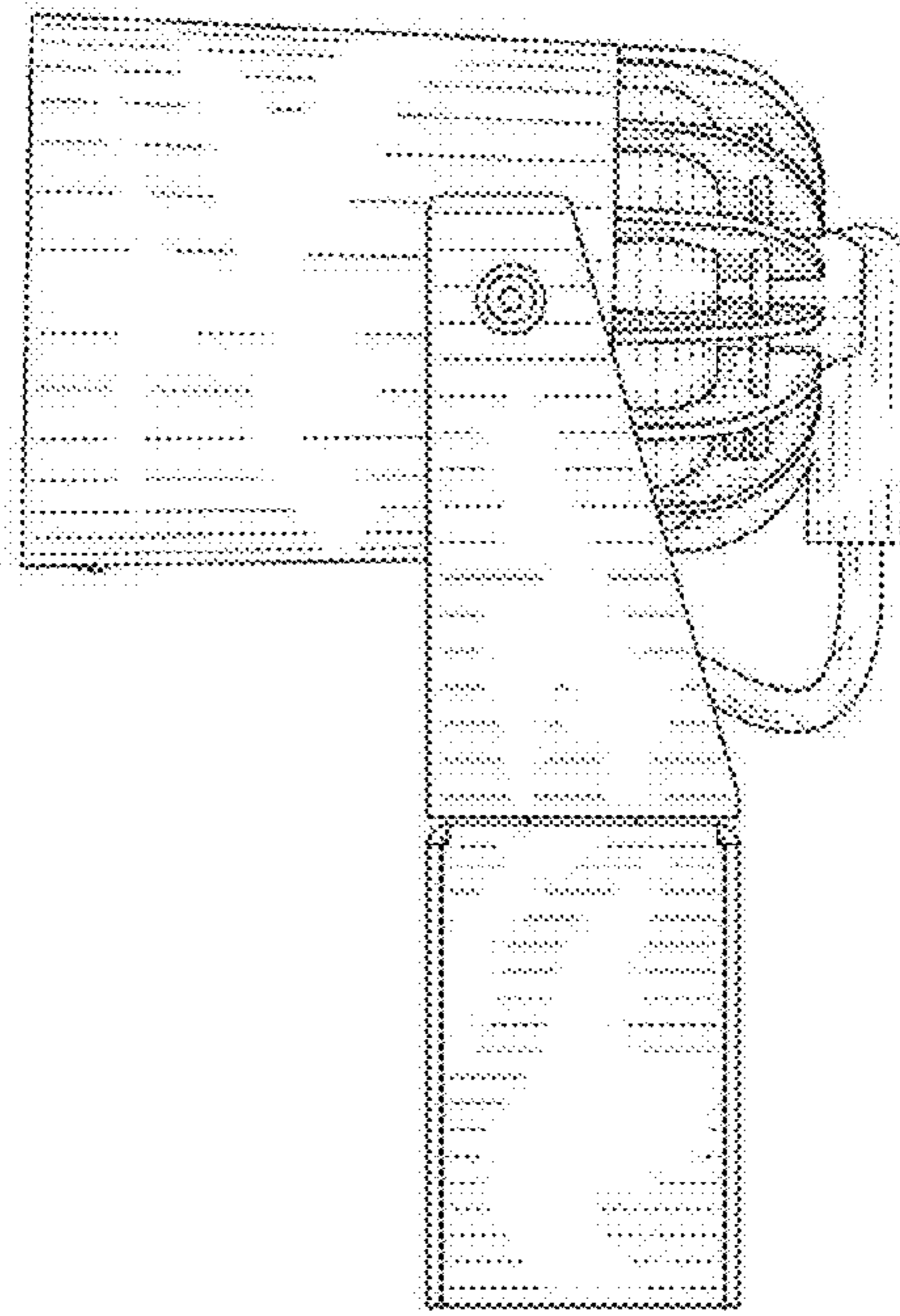


FIG. 5

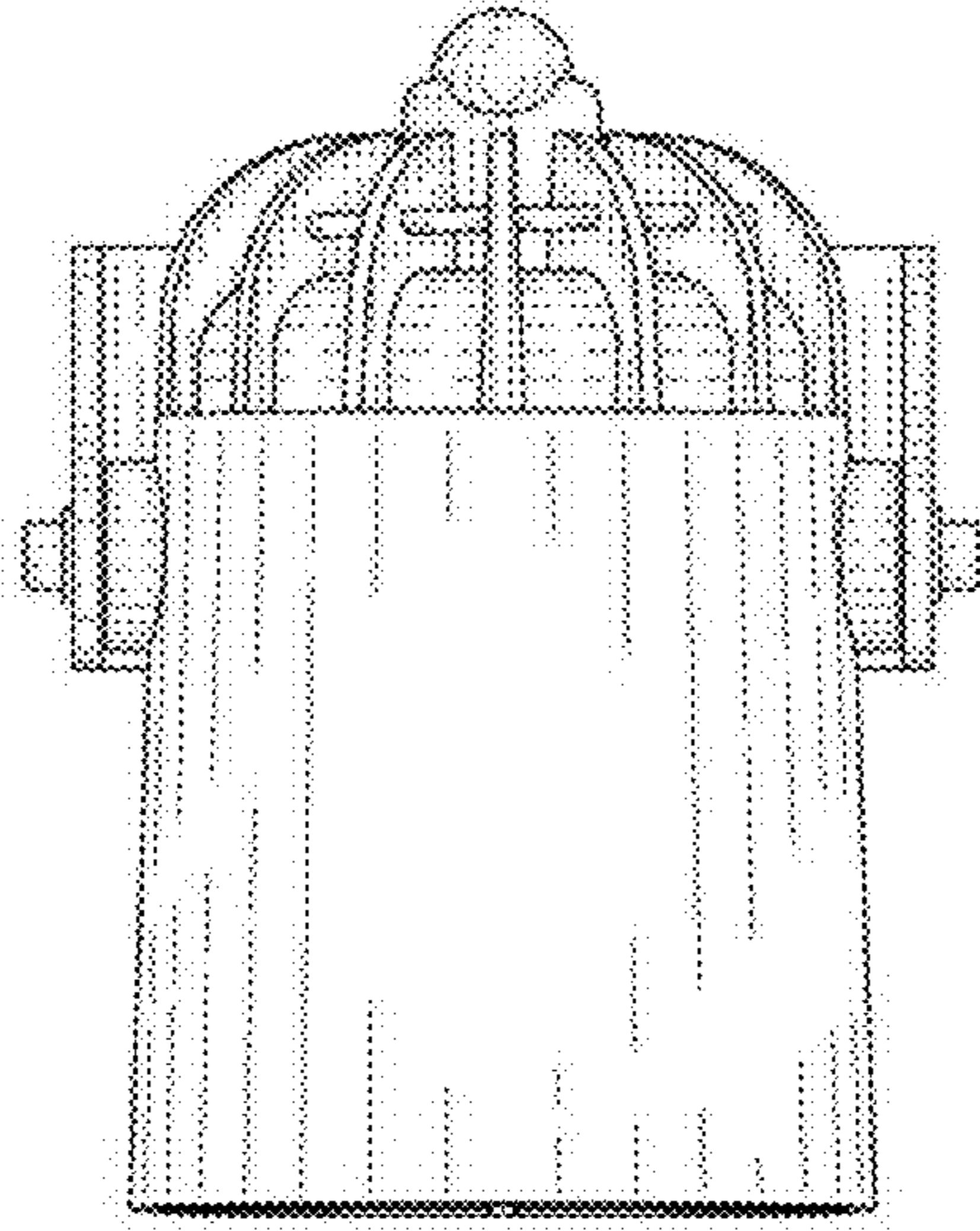


FIG. 6

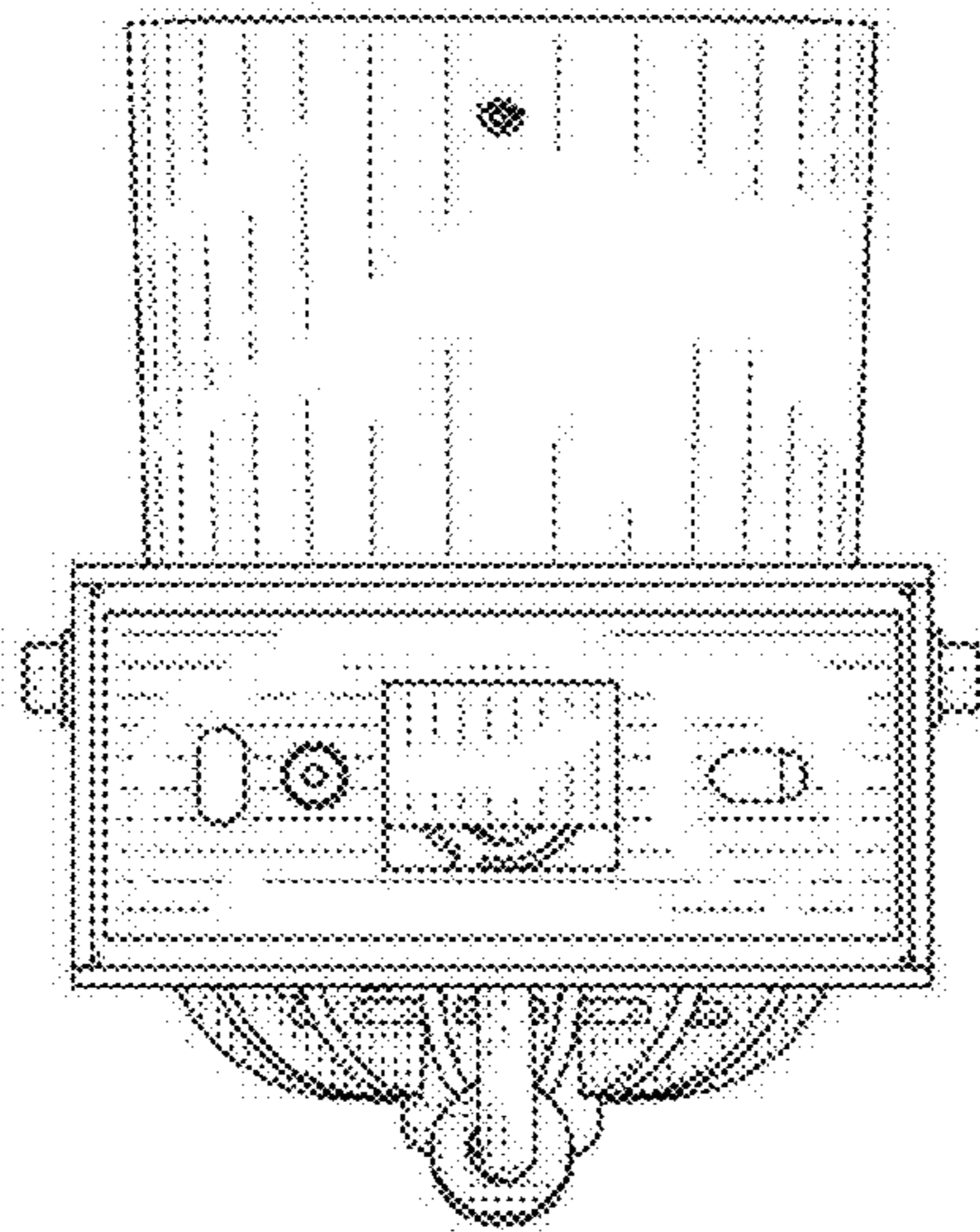


FIG. 7