



US00D738024S

(12) **United States Design Patent**  
**Messiaen**

(10) **Patent No.:** **US D738,024 S**

(45) **Date of Patent:** **\*\* Sep. 1, 2015**

(54) **LIGHTING FIXTURE**

(56) **References Cited**

(71) Applicant: **KONINKLIJKE PHILIPS N.V.**,  
Eindhoven (NL)

U.S. PATENT DOCUMENTS

(72) Inventor: **Lieven Messiaen**, Bruges (BE)

D202,727 S *	11/1965	Hahn	.....	D26/65
D242,945 S *	1/1977	Moore	.....	D26/65
D260,300 S *	8/1981	Aron	.....	D26/63
D271,043 S *	10/1983	Parker	.....	D26/63
D276,559 S *	11/1984	Krokaugger	.....	D26/63
D328,148 S *	7/1992	Waldmann	.....	D26/63

(73) Assignee: **KONINKLIJKE PHILIPS N.V.**,  
Eindhoven (NL)

\* cited by examiner

(\*\*) Term: **14 Years**

*Primary Examiner* — Brian N Vinson

(21) Appl. No.: **29/468,490**

(22) Filed: **Oct. 1, 2013**

(57) **CLAIM**

The ornamental design for a lighting fixture, as shown.

(30) **Foreign Application Priority Data**

Apr. 1, 2013 (EM) ..... 002212175-0002

(51) **LOC (10) Cl.** ..... **26-03**

(52) **U.S. Cl.**  
USPC ..... **D26/63**

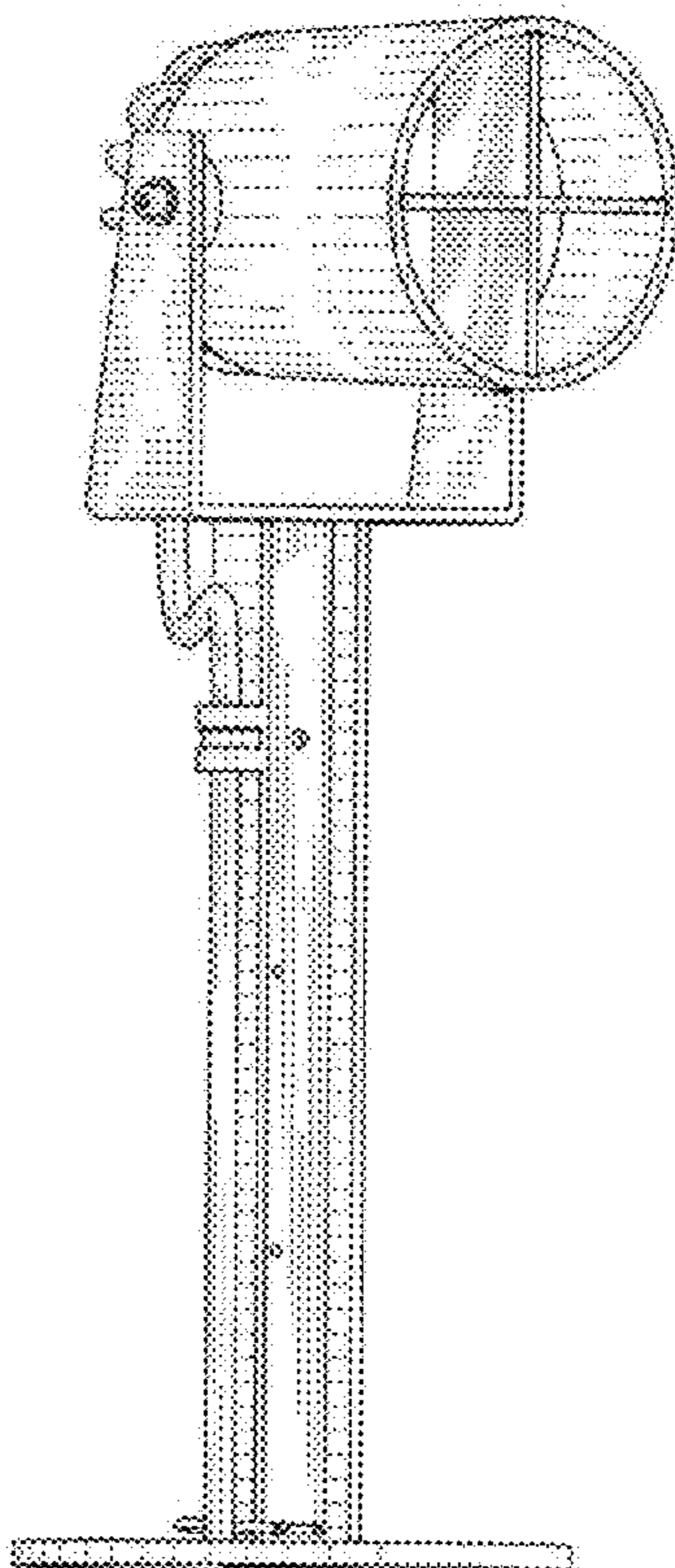
(58) **Field of Classification Search**  
USPC ..... D26/1, 24, 61, 63, 65, 85, 92  
CPC ..... F21V 21/14; F21V 15/01; F21V 14/02;  
F21V 21/30; F21V 21/00; F21V 14/00;  
F21S 8/00; F21S 8/003; F21S 8/043; F21Y  
2105/001

See application file for complete search history.

**DESCRIPTION**

FIG. 1 is a perspective view showing my design;  
FIG. 2 is a front elevational view thereof;  
FIG. 3 is a rear elevational view thereof;  
FIG. 4 is a right side elevational view thereof;  
FIG. 5 is a left side elevational view thereof;  
FIG. 6 is a top plan view thereof; and,  
FIG. 7 is a bottom plan view thereof.

**1 Claim, 4 Drawing Sheets**



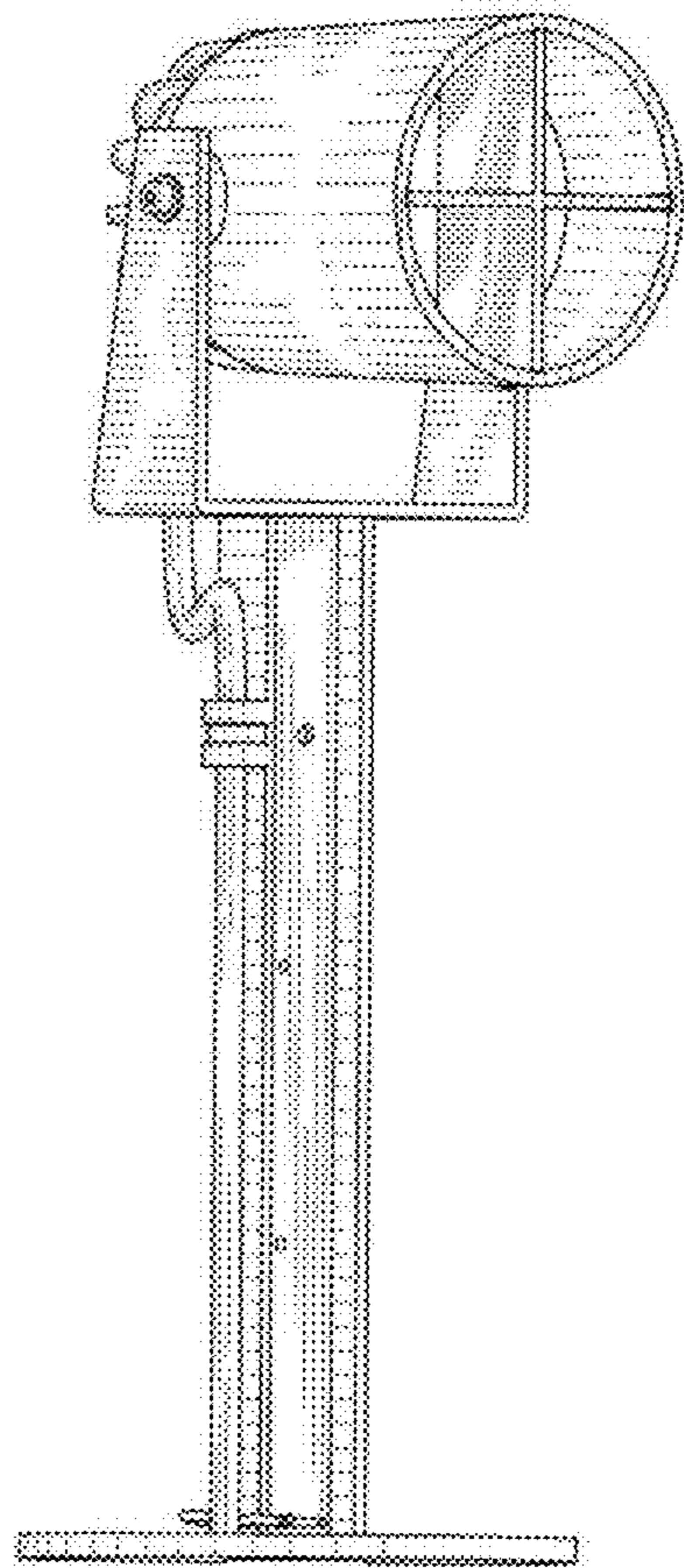


FIG. 1

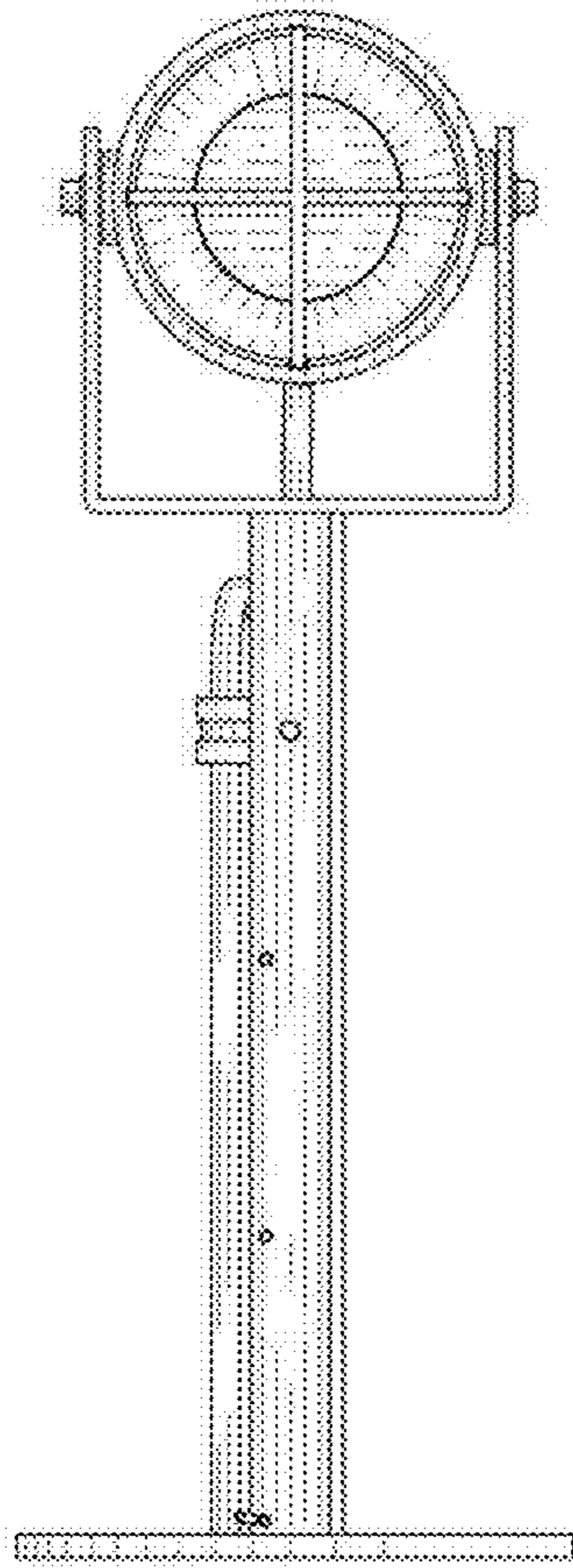


FIG. 2

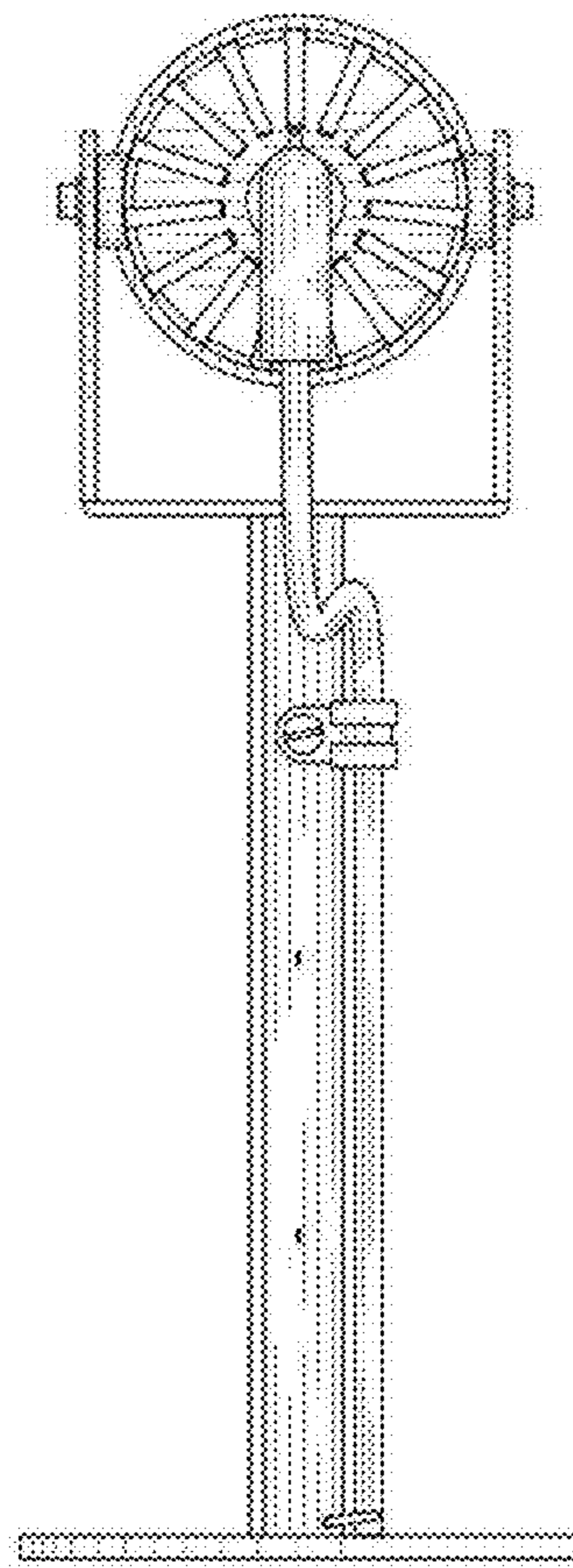


FIG. 3

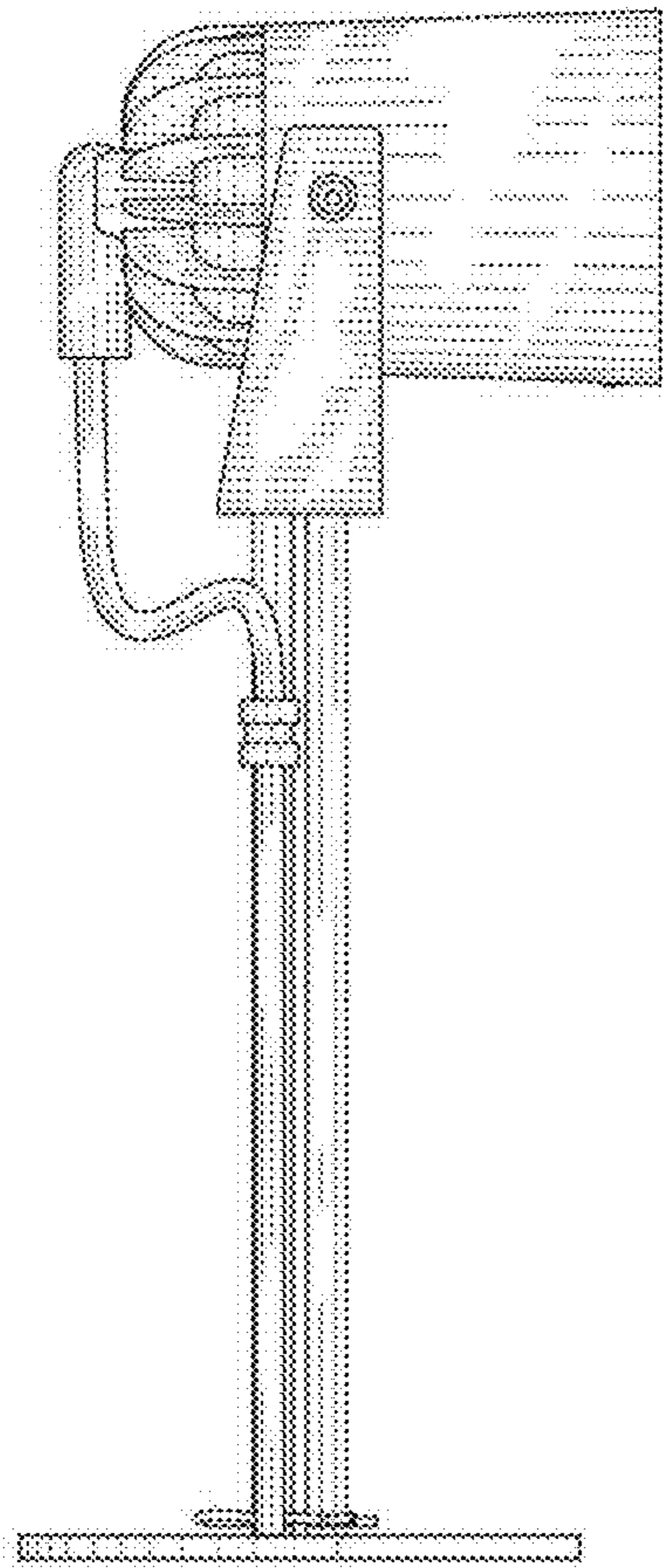


FIG. 4

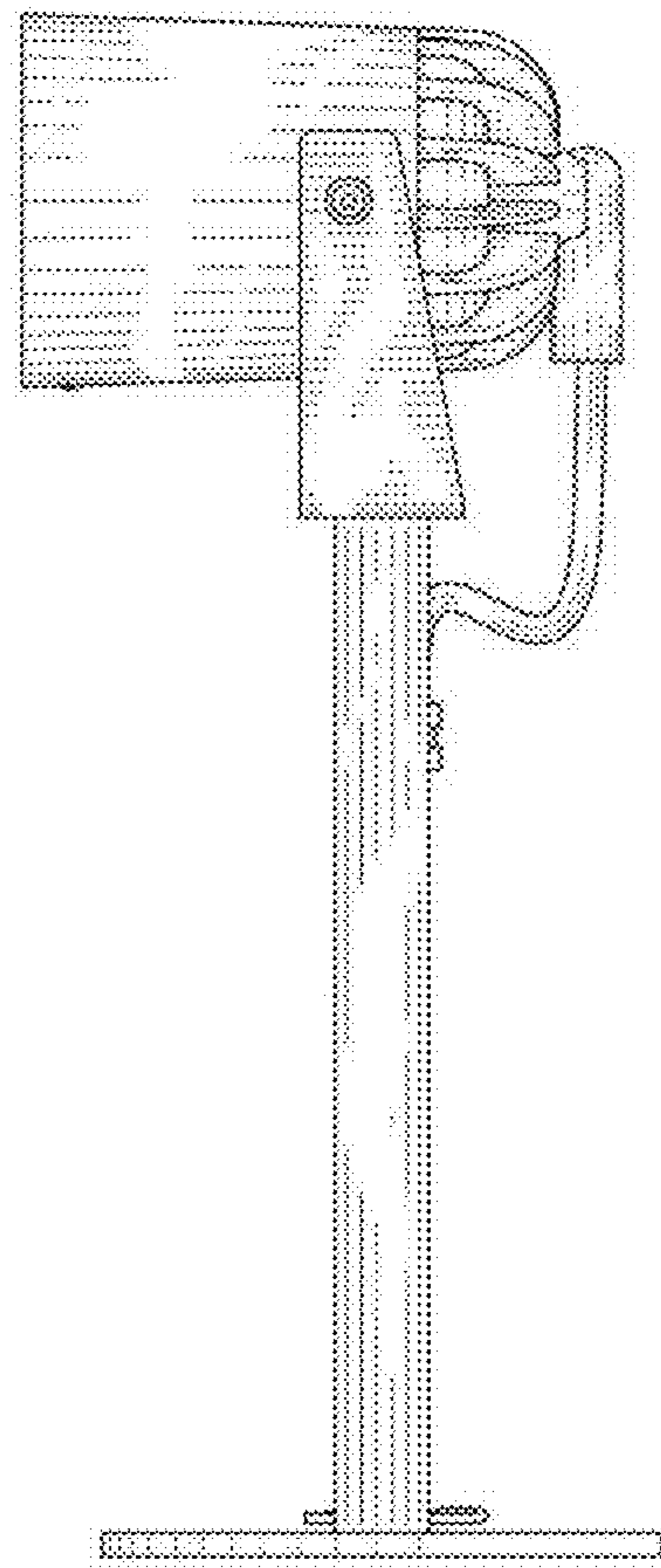


FIG. 5

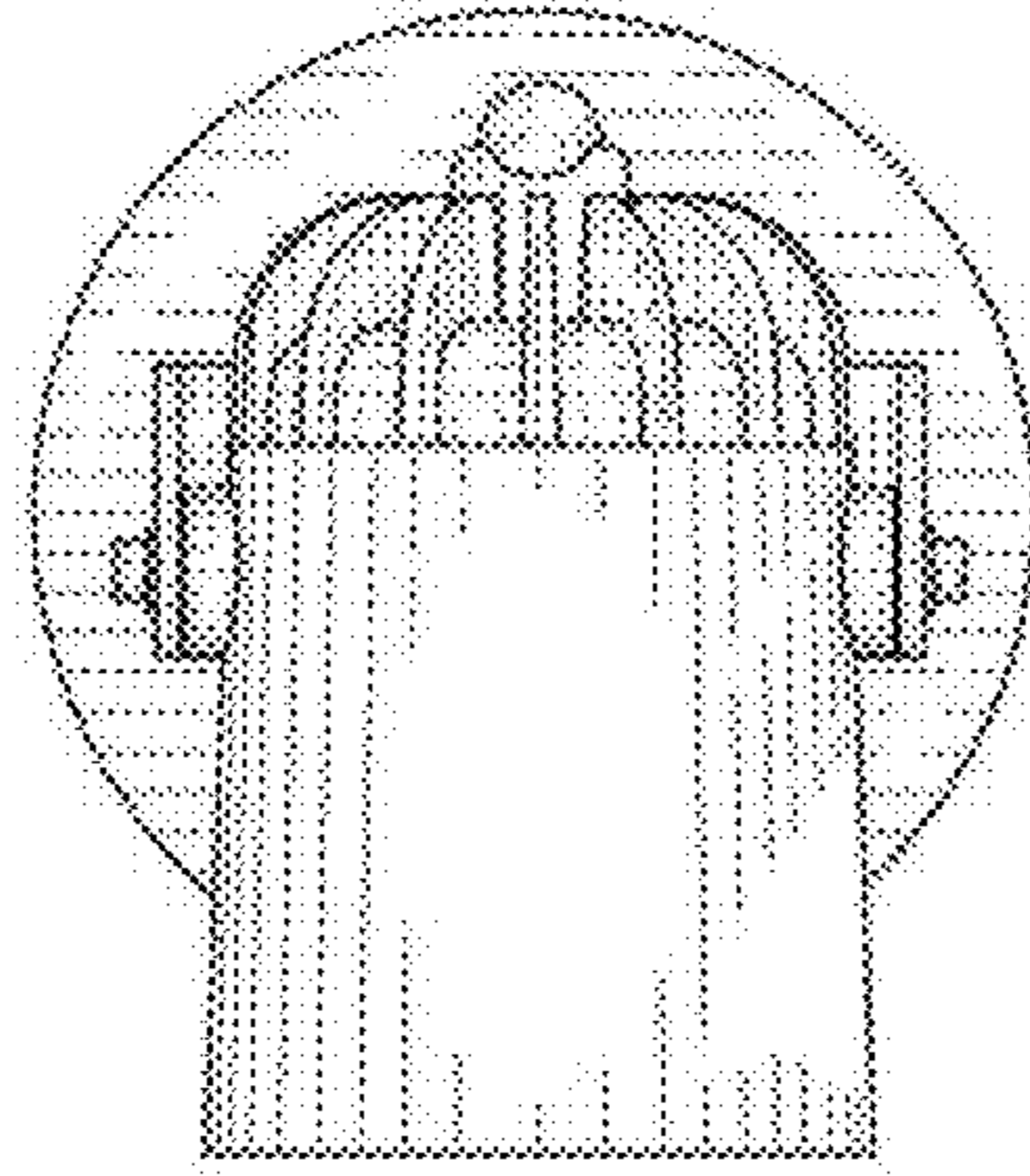


FIG. 6

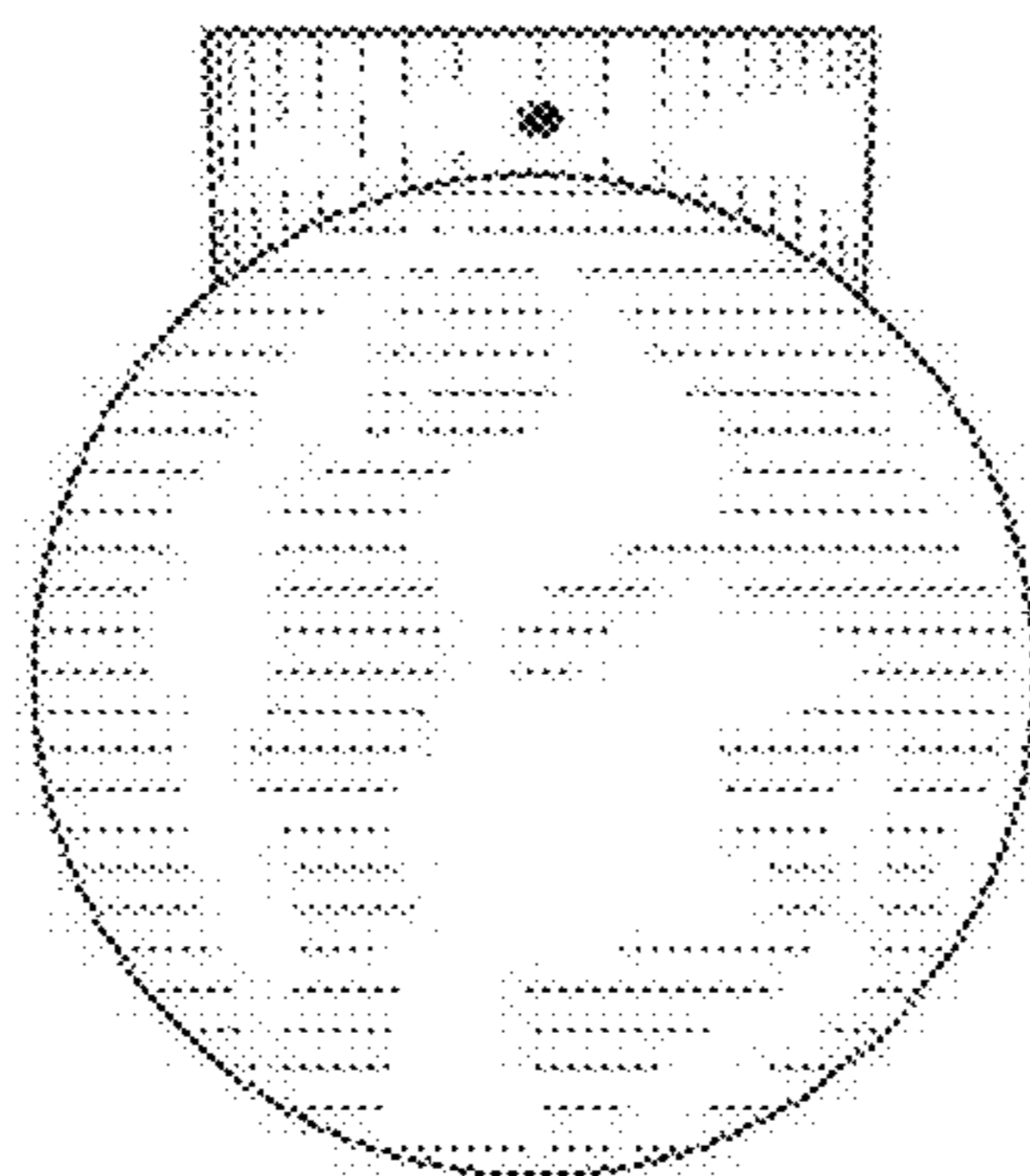


FIG. 7