



US00D738023S

(12) **United States Design Patent**
Roselló Gratacós

(10) **Patent No.:** **US D738,023 S**

(45) **Date of Patent:** **** Sep. 1, 2015**

(54) **LAMP**

(71) Applicant: **SANTA & COLE NEOSERIES S.L.**,
La Roca del Vallès, Barcelona (ES)

(72) Inventor: **Clàudia Roselló Gratacós**, Barcelona
(ES)

(73) Assignee: **SANTA & COLE NEOSERIES S.L.**,
La Roca del Vallès (Barcelona) (ES)

(**) Term: **14 Years**

(21) Appl. No.: **29/463,274**

(22) Filed: **Sep. 27, 2013**

(30) **Foreign Application Priority Data**

Mar. 28, 2013 (EM) 0022111930002

(51) **LOC (10) Cl.** **26-03**

(52) **U.S. Cl.**
USPC **D26/63**

(58) **Field of Classification Search**
USPC D26/1, 24, 61, 63, 65, 85, 92
CPC F21V 21/14; F21V 15/01; F21V 14/02;
F21V 21/30; F21V 21/00; F21V 14/00;
F21S 8/00; F21S 8/003; F21S 8/043; F21Y
2105/001

See application file for complete search history.

(56) **References Cited**

U.S. PATENT DOCUMENTS

D208,877 S *	10/1967	MacLeod, Jr.	D26/63
D242,945 S *	1/1977	Moore	D26/65
D442,717 S *	5/2001	Binsukor	D26/63
D451,226 S *	11/2001	Leen	D26/63
D637,751 S *	5/2011	Chiu	D26/63
D642,716 S *	8/2011	Spaccasassi et al.	D26/63
D663,877 S *	7/2012	Quevy et al.	D26/63

OTHER PUBLICATIONS

U.S. Appl. No. 29/522,304, filed Mar. 30, 2015, Clàudia Roselló Gratacós, Santa & Cole Neoseries S.L.

* cited by examiner

Primary Examiner — Brian N Vinson
(74) *Attorney, Agent, or Firm* — Staas & Halsey LLP

(57) **CLAIM**

The ornamental design for a lamp, as shown and described.

DESCRIPTION

FIG. 1 is a left side bottom perspective view of the lamp;
FIG. 2 is another left side bottom perspective view thereof;
FIG. 3 is another left side bottom perspective view thereof;
FIG. 4 is a left side top perspective view thereof;
FIG. 5 is a front bottom perspective view thereof;
FIG. 6 is a left side view thereof;
FIG. 7 is a rear top perspective view thereof;
FIG. 8 is a right side bottom perspective thereof; and,
FIG. 9 is a right side view thereof.
The portion of the lamp shown in broken lines from no part of the claimed design.

1 Claim, 9 Drawing Sheets

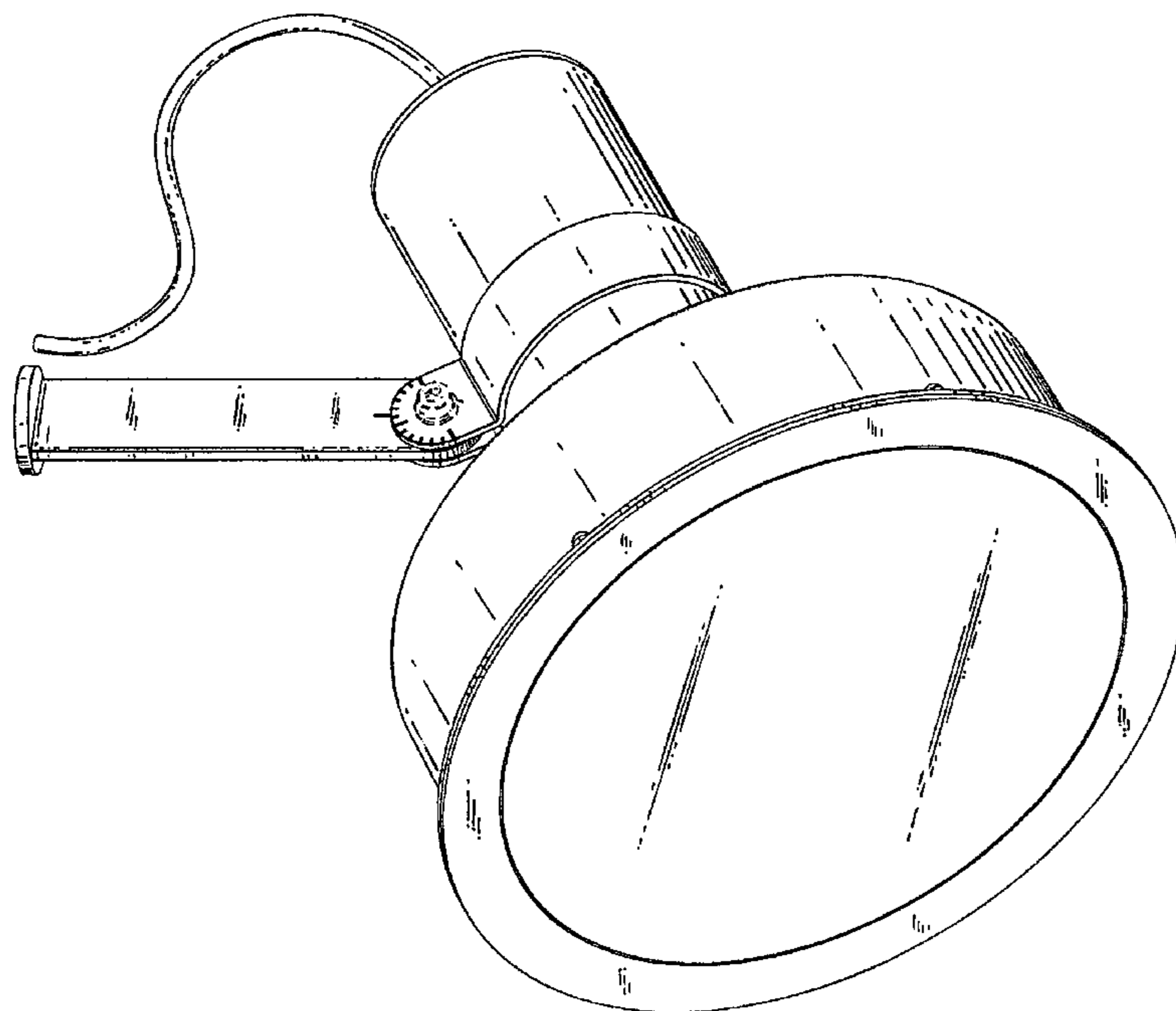
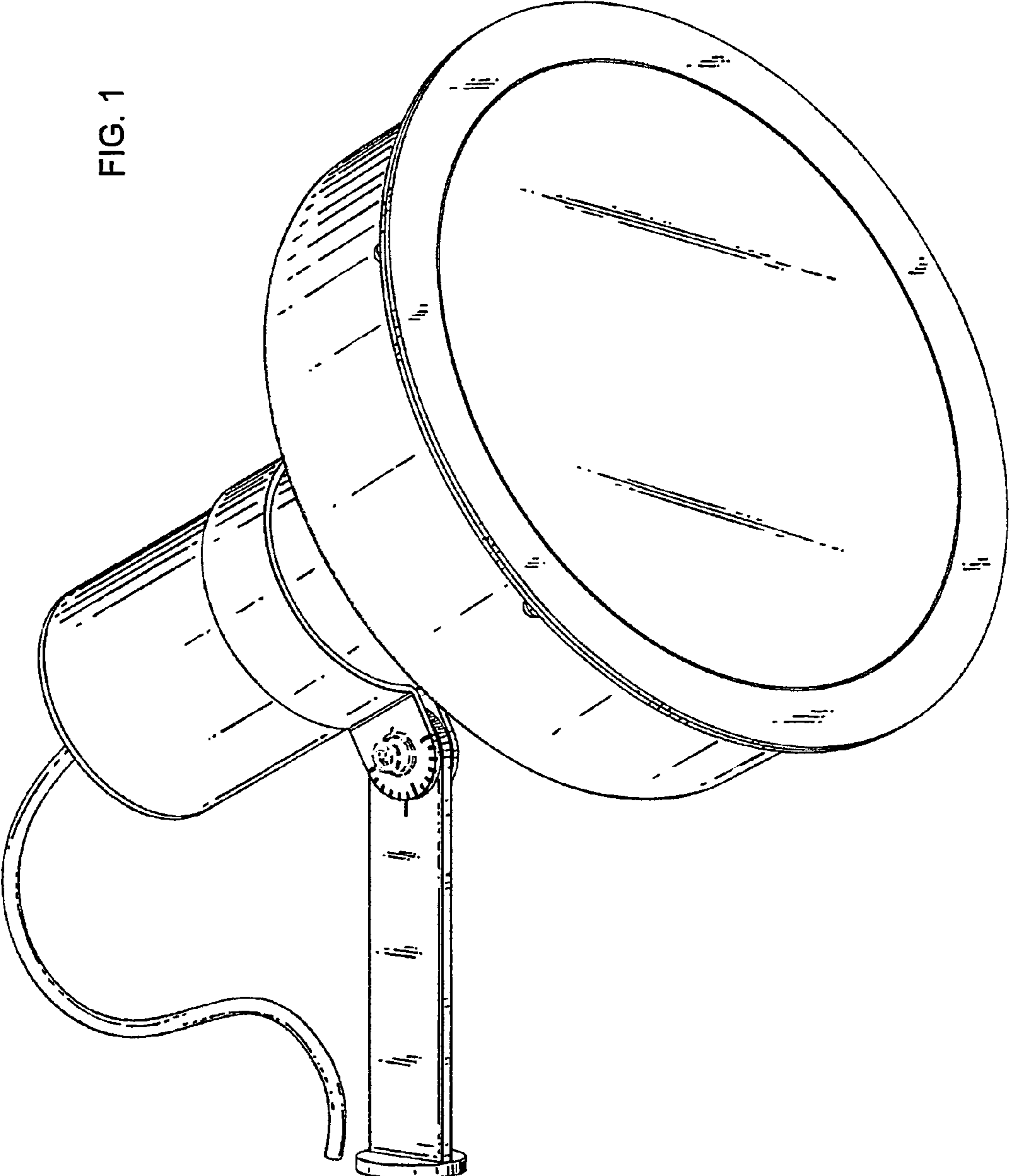


FIG. 1



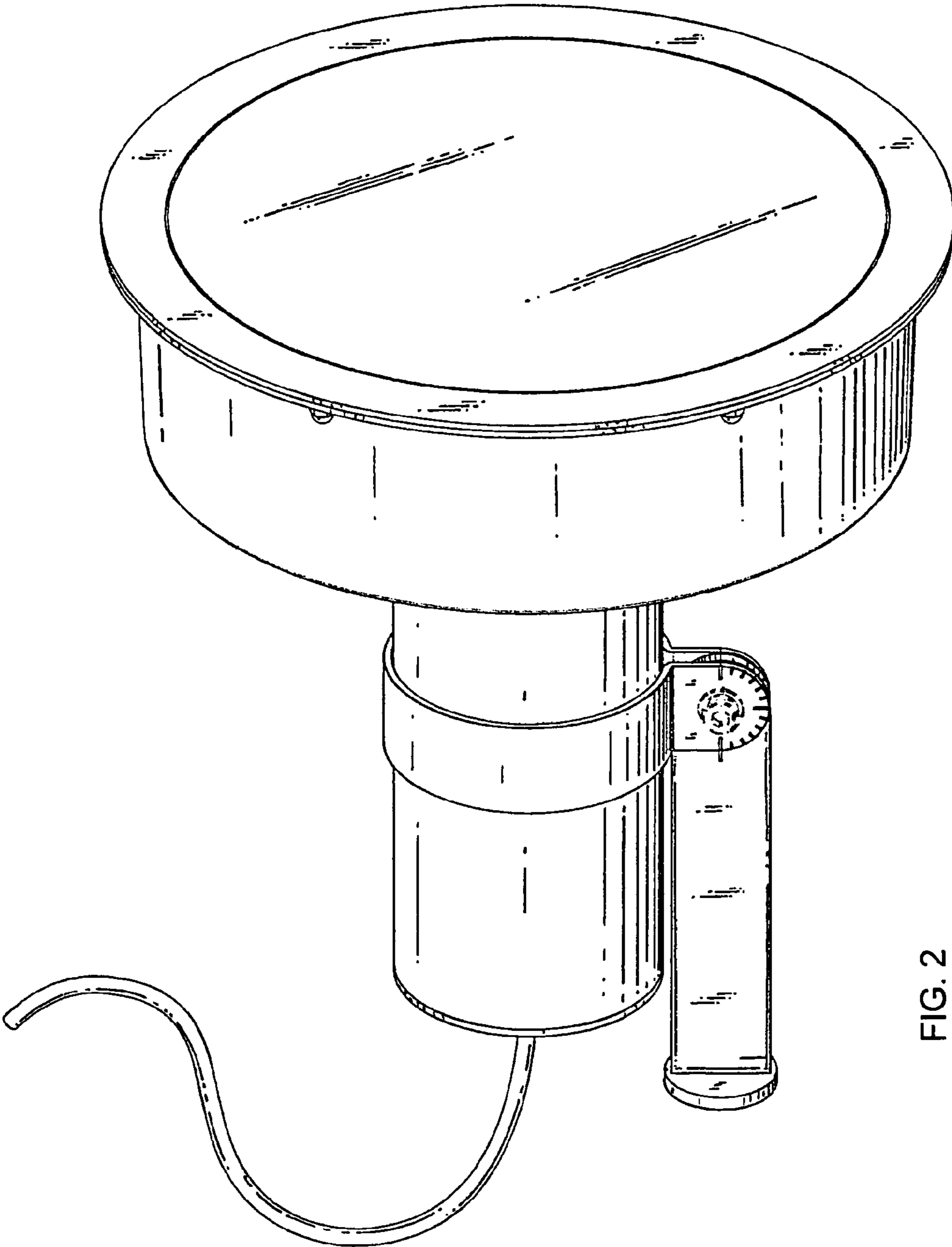


FIG. 2

FIG. 3

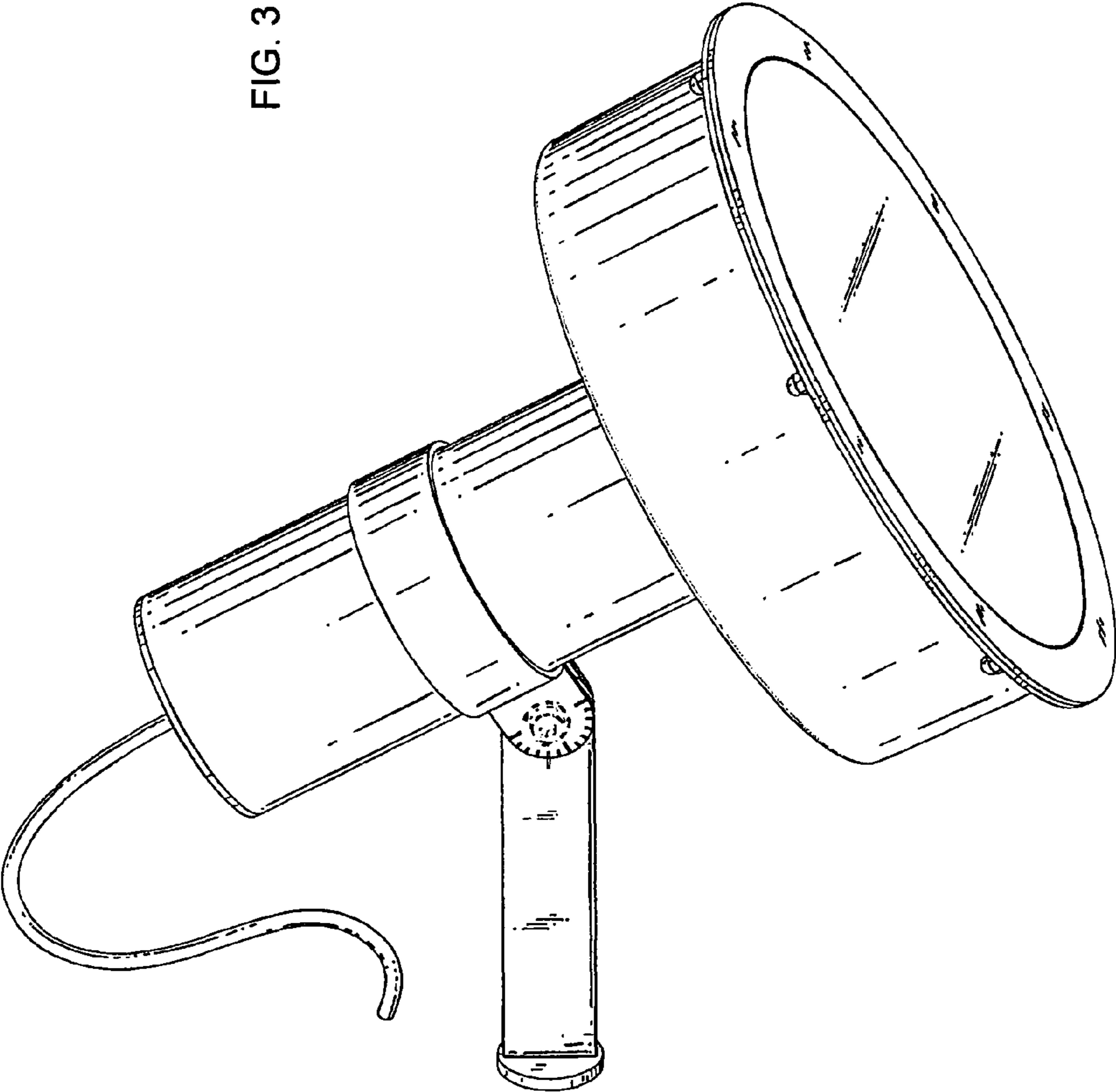


FIG. 4

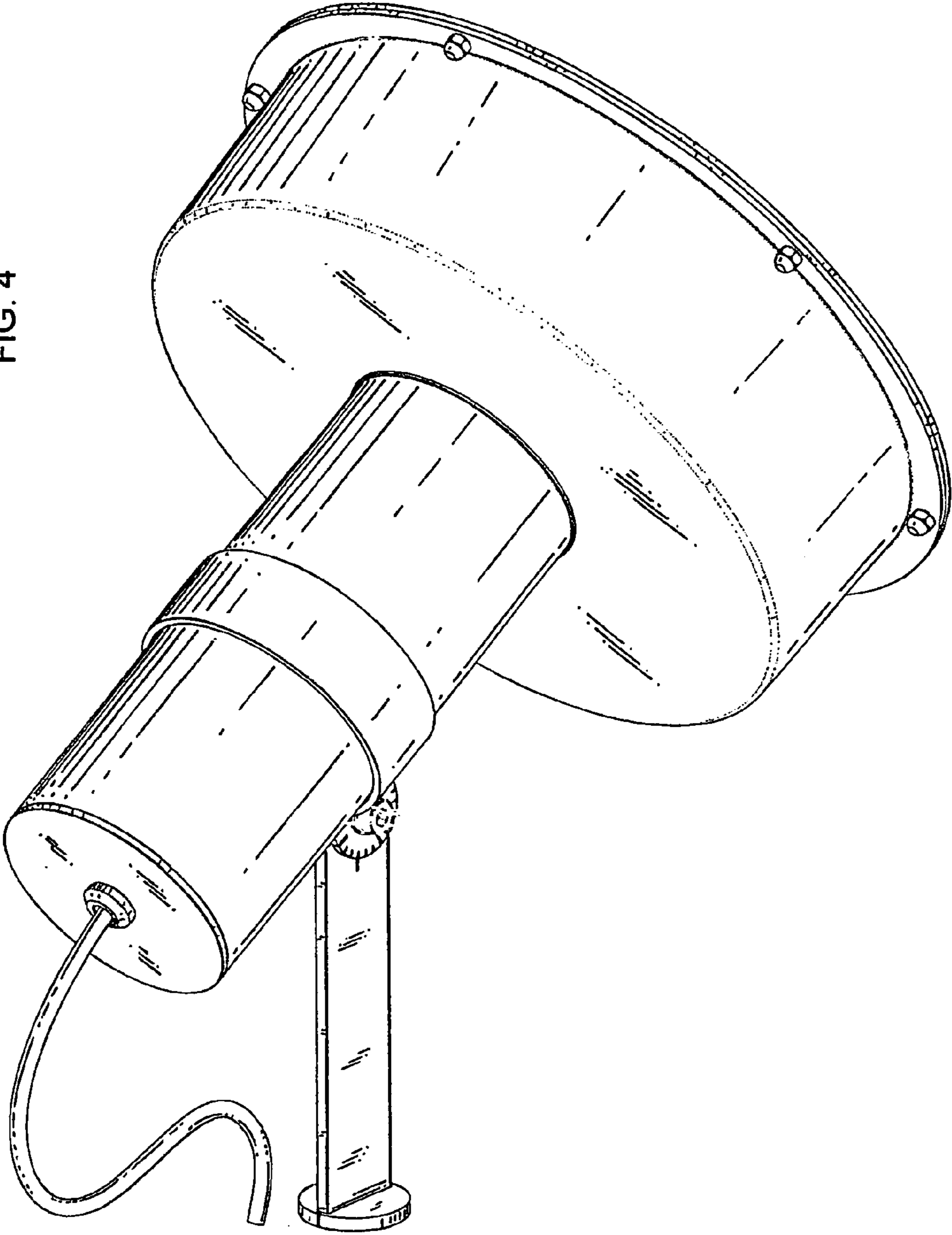


FIG. 5

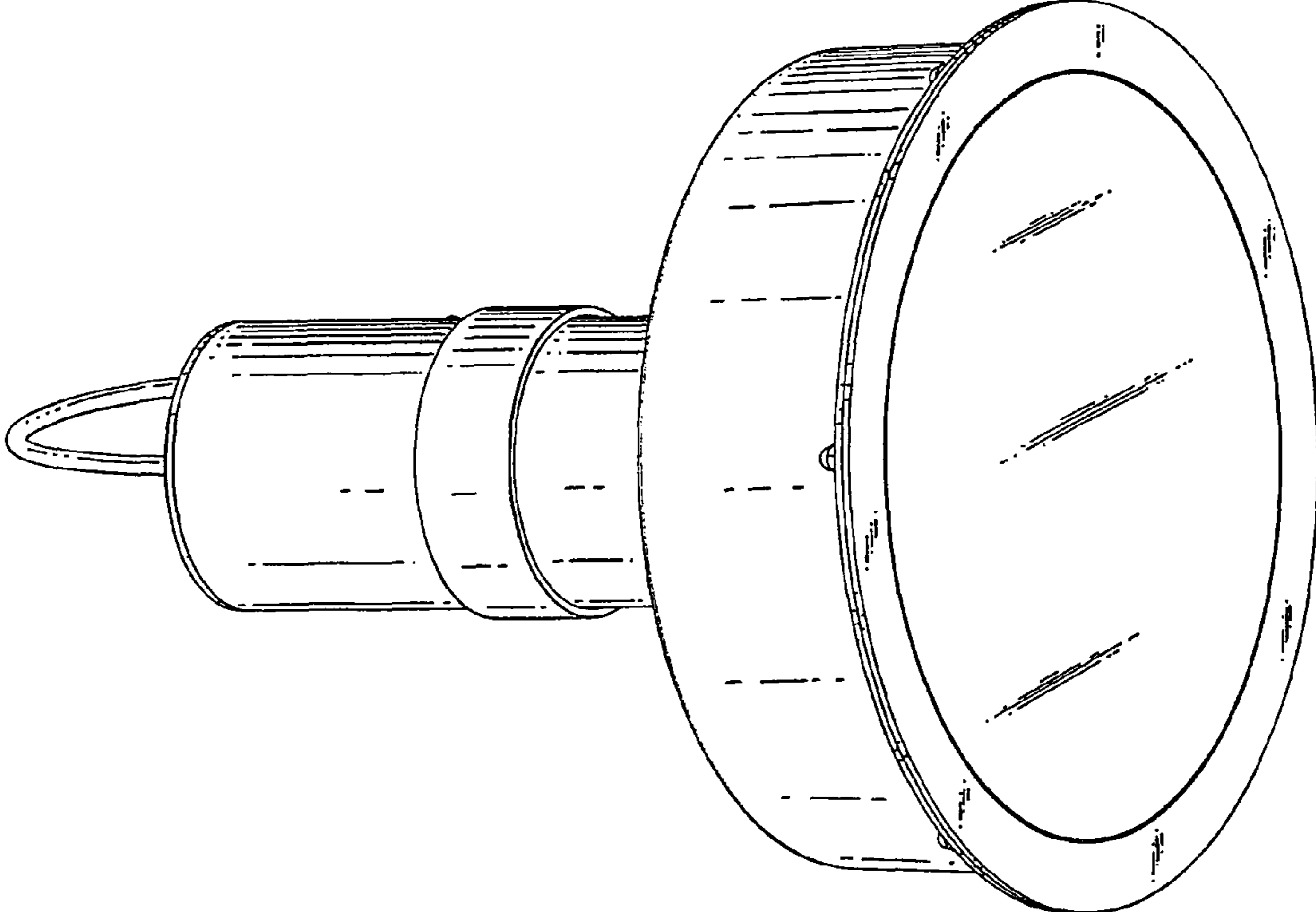


FIG. 6

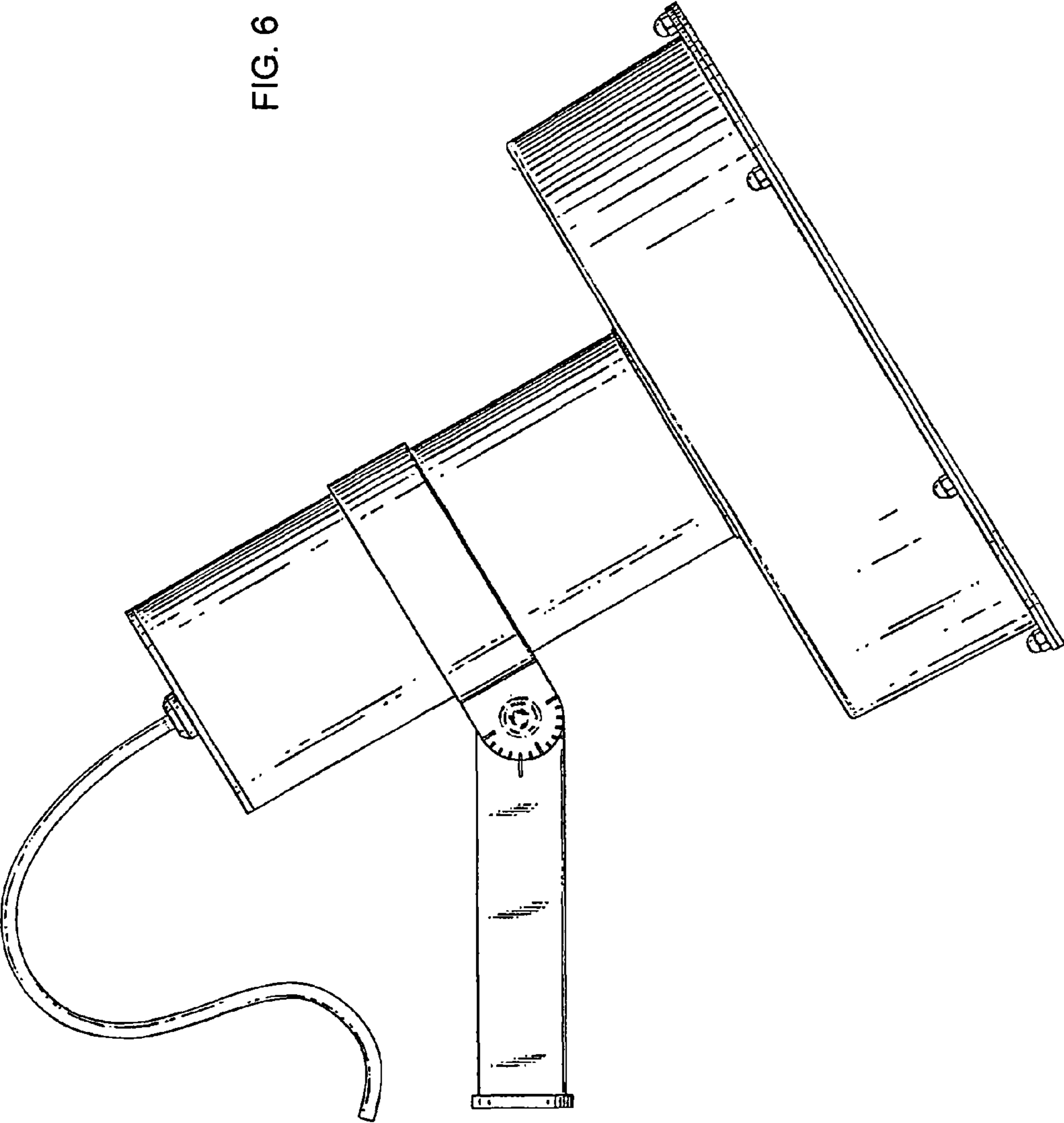
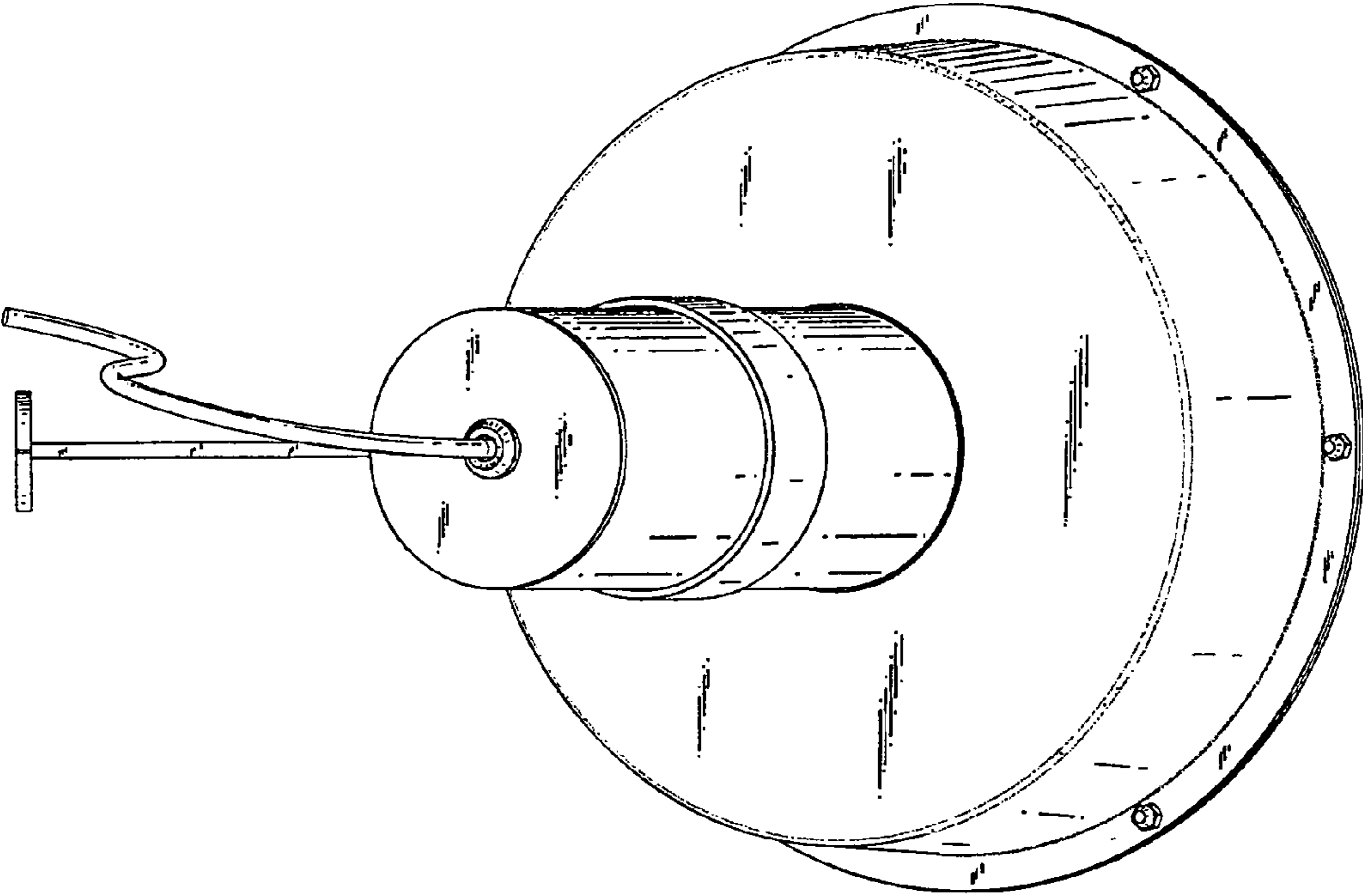


FIG. 7



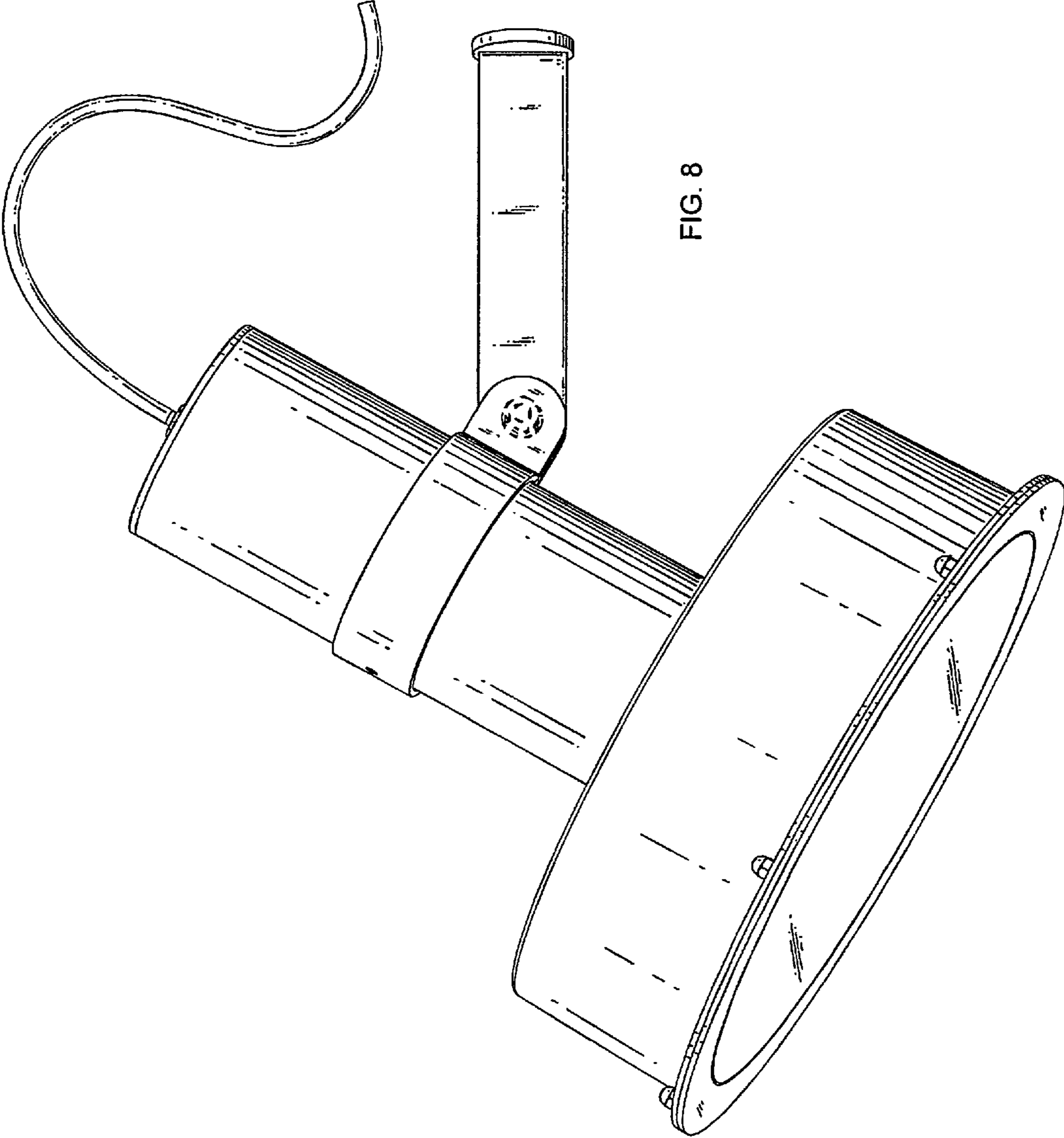


FIG. 8

