



US00D738021S

(12) **United States Design Patent**
Wang

(10) **Patent No.:** **US D738,021 S**
(45) **Date of Patent:** **** Sep. 1, 2015**

(54) **FLASHLIGHT**

(71) Applicant: **King-Chih Wang**, Rahway, NJ (US)

(72) Inventor: **King-Chih Wang**, Rahway, NJ (US)

(73) Assignee: **Hansfull Trading Co., Inc.**, Rahway, NJ (US)

(**) Term: **14 Years**

(21) Appl. No.: **29/443,286**

(22) Filed: **Jan. 15, 2013**

(51) **LOC (10) Cl.** **26-02**

(52) **U.S. Cl.**
USPC **D26/49**; D26/44; D26/41

(58) **Field of Classification Search**
USPC D26/37, 38, 40, 41, 44, 46, 48, 49, 50;
362/157, 158, 171-174, 183, 184,
362/194-196, 200-208, 253
CPC F21L 2/00; F21L 4/00; F21L 4/005;
F21L 17/00; F21L 13/08; F21Y 2101/00;
F21V 21/30; F21V 21/406; F21W 2131/406;
F21W 2131/407
See application file for complete search history.

(56) **References Cited**

U.S. PATENT DOCUMENTS

D267,899	S	*	2/1983	Kolm et al.	D26/40
D293,482	S	*	12/1987	Geissler	D26/49
D300,602	S	*	4/1989	Smith, Sr.	D8/303
D317,057	S	*	5/1991	Argandona	D26/40
D321,568	S	*	11/1991	Yuen	D26/42
D373,209	S	*	8/1996	Yuen	D26/42
D381,100	S	*	7/1997	Fink	D26/38
D424,227	S	*	5/2000	Long	D26/50
D444,582	S	*	7/2001	Poon	D26/44
D451,221	S	*	11/2001	Poon	D26/42
D465,045	S	*	10/2002	Yamamoto et al.	D26/49
D486,598	S	*	2/2004	Lo	D26/40
D537,968	S	*	3/2007	Shiu	D26/40

D547,891	S	*	7/2007	Shiu et al.	D26/40
D551,371	S	*	9/2007	Brown et al.	D26/49
D553,272	S	*	10/2007	Leung et al.	D26/37
D564,112	S	*	3/2008	Jen	D26/40
D581,568	S	*	11/2008	Bertken	D26/40

(Continued)

Primary Examiner — Ian Simmons
Assistant Examiner — Carissa C Fitts

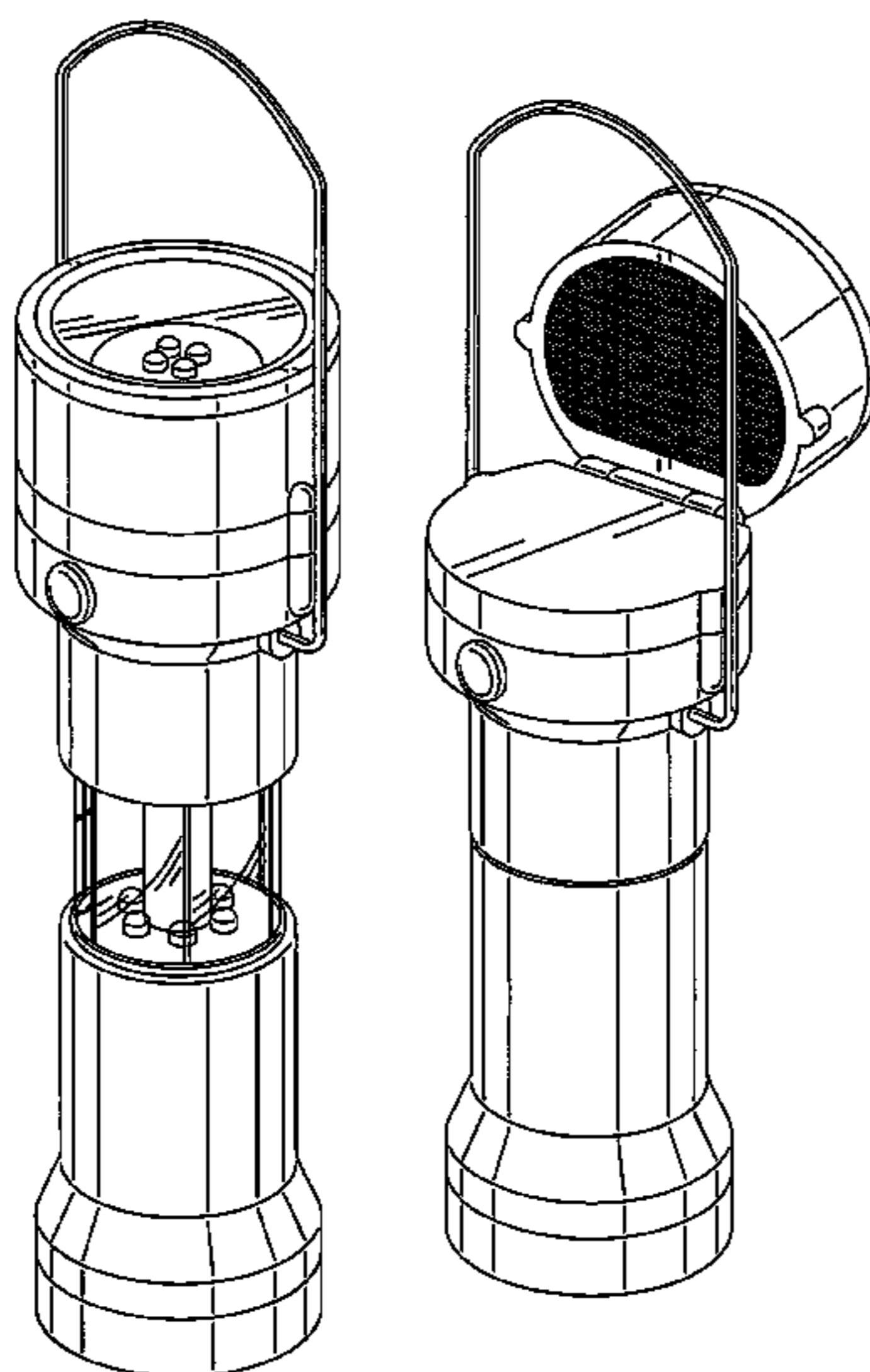
(57) **CLAIM**

The ornamental design for a flashlight, as shown and described.

DESCRIPTION

FIG. 1 is a perspective view of a flashlight, showing my new design in a closed position;
 FIG. 2 is a front view of the flashlight thereof;
 FIG. 3 is a rear view of the flashlight thereof;
 FIG. 4 is a side view of the flashlight thereof;
 FIG. 5 is a top view of the flashlight thereof; and
 FIG. 6 is a bottom view of the flashlight thereof;
 FIG. 7 is a perspective view of the flashlight, shown with a lantern portion in an open-lantern position;
 FIG. 8 is a front view of the flashlight thereof;
 FIG. 9 is a rear view of the flashlight thereof;
 FIG. 10 is a side view of the thereof;
 FIG. 11 is a top view of the flashlight thereof; and
 FIG. 12 is a bottom view of the flashlight thereof;
 FIG. 13 is a perspective view thereof, shown with a head portion in an open-head position;
 FIG. 14 is a front view of the flashlight thereof;
 FIG. 15 is a rear view of the flashlight thereof;
 FIG. 16 is a side view of the flashlight thereof;
 FIG. 17 is a top view of the flashlight thereof; and
 FIG. 18 is a bottom view of the flashlight thereof.
 The shade lines in the Figures show contour and not surface ornamentation.
 The broken line showing represents unclaimed details only and forms no part of the claimed design.

1 Claim, 15 Drawing Sheets



(56)

References Cited

U.S. PATENT DOCUMENTS

D583,492 S * 12/2008 Jen D26/40
D586,489 S * 2/2009 Shiu D26/49
D599,492 S * 9/2009 Wang et al. D26/49
D601,737 S * 10/2009 Swan D26/49

D605,795 S * 12/2009 Baker et al. D26/44
D629,543 S * 12/2010 Deguglimo et al. D26/49
D639,476 S * 6/2011 Robinson D26/49
D640,397 S * 6/2011 Molina et al. D26/38
D675,763 S * 2/2013 Levine D26/40
D702,382 S * 4/2014 Ma D26/44

* cited by examiner

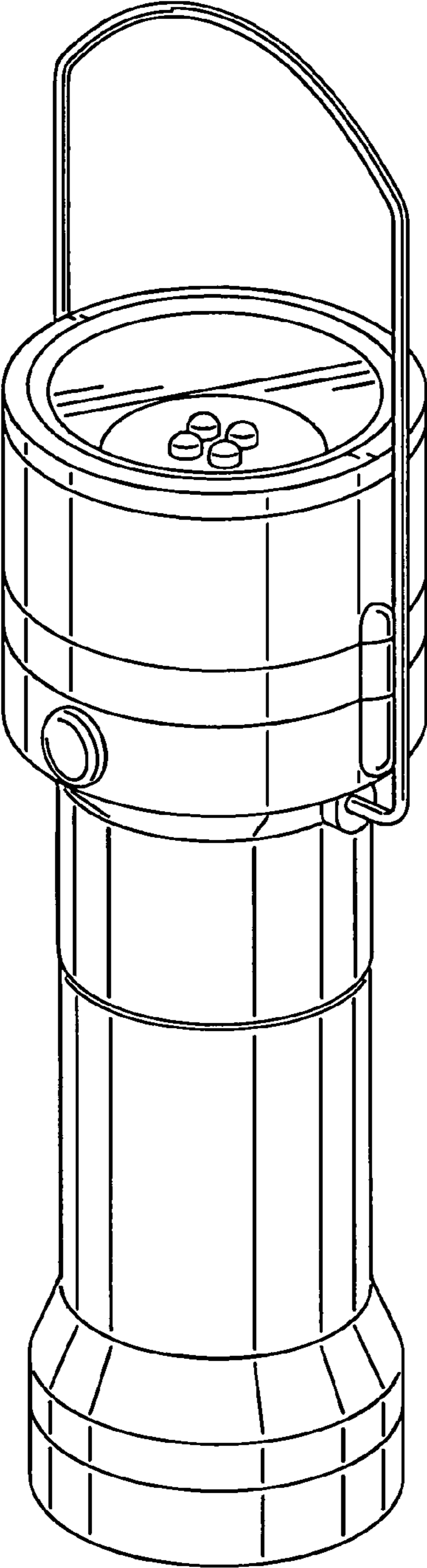


FIG. 1

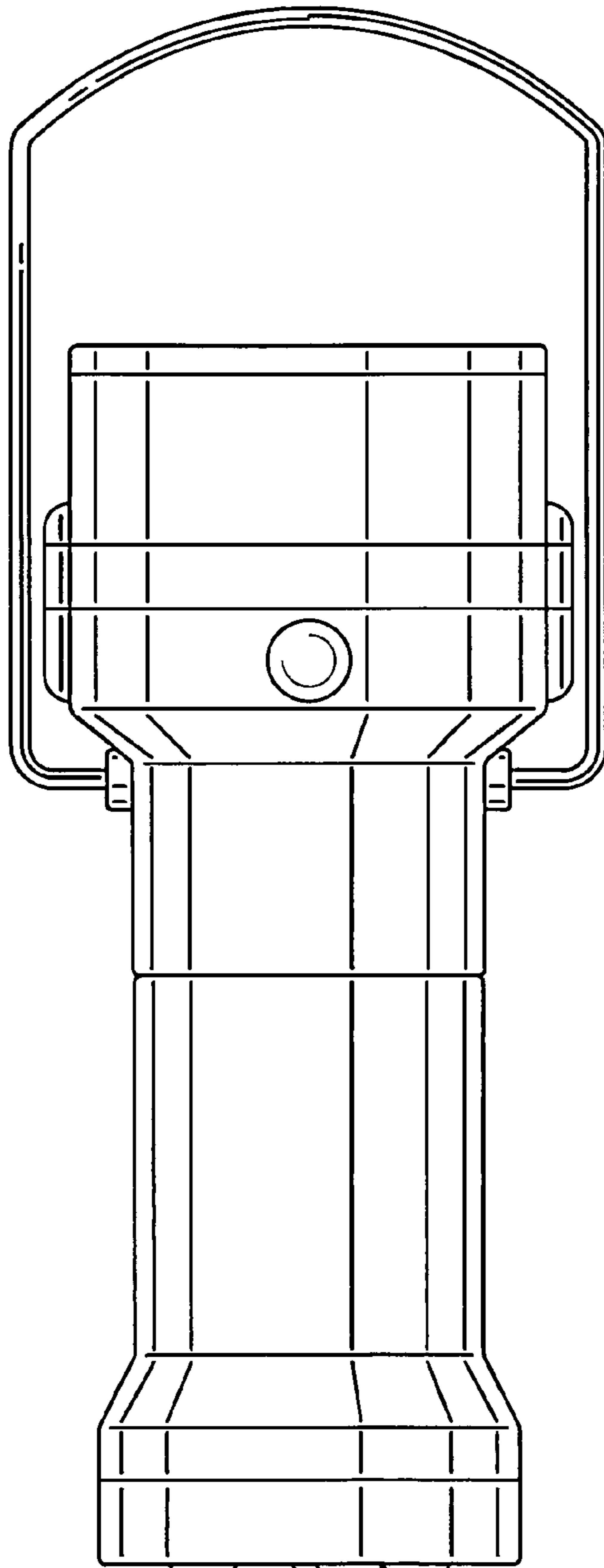


FIG. 2

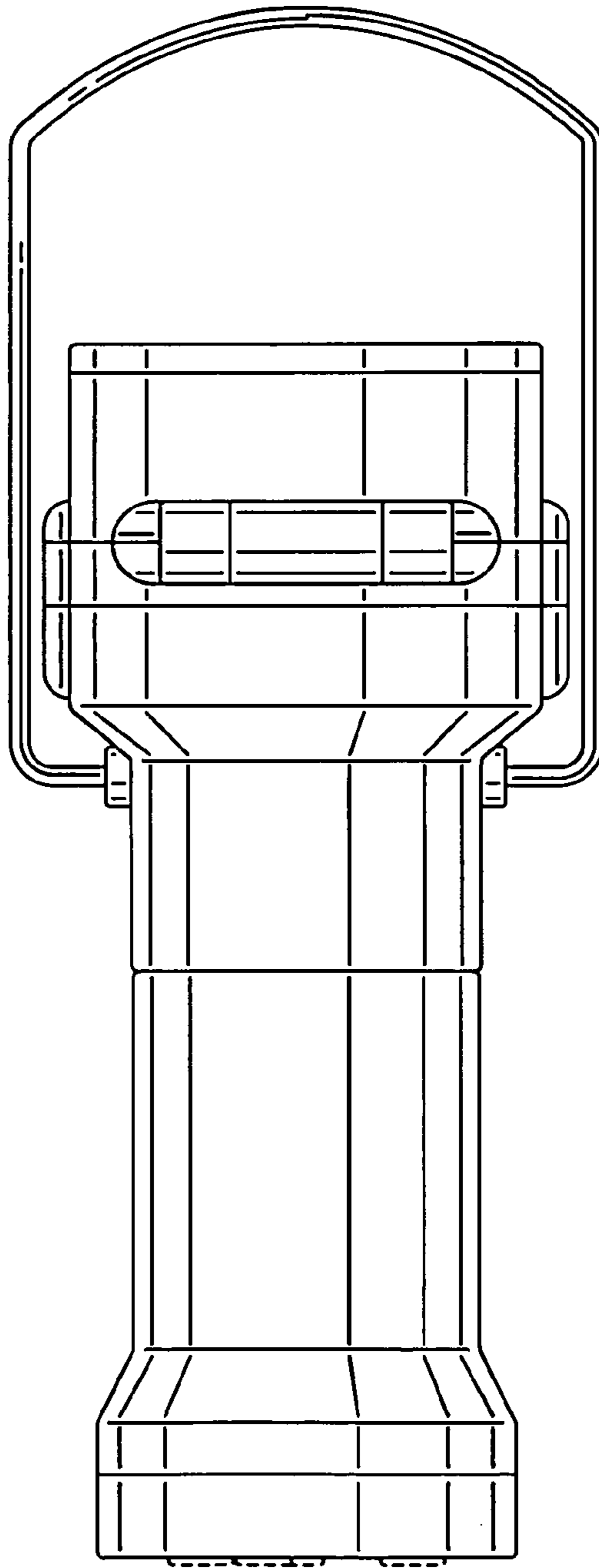


FIG. 3

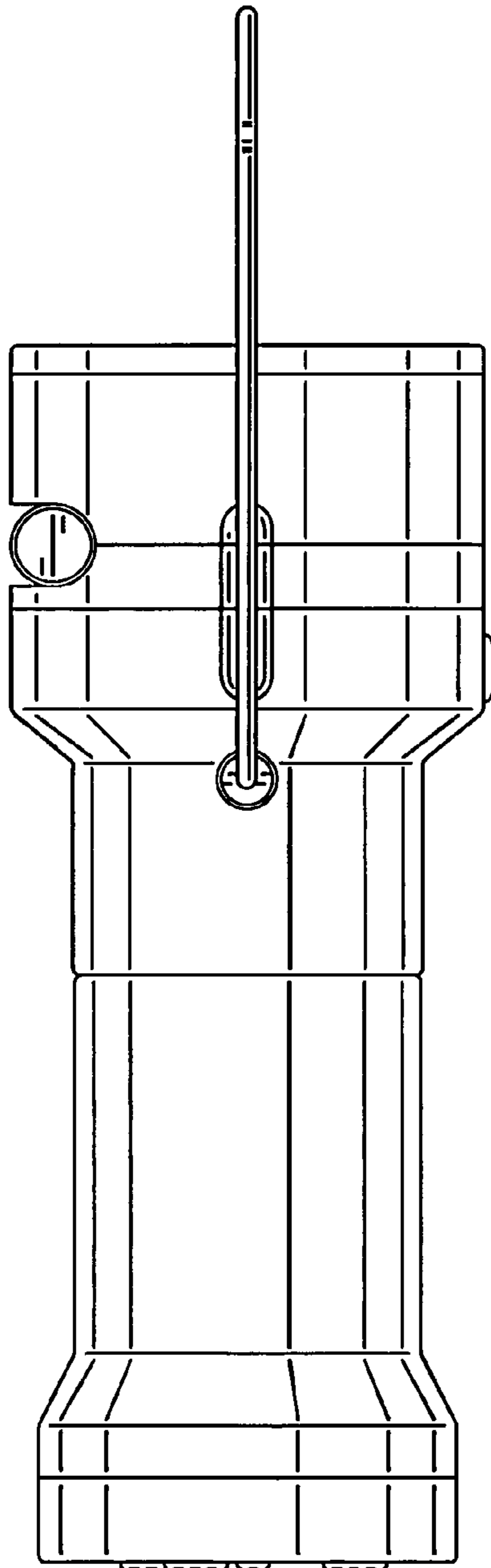


FIG. 4

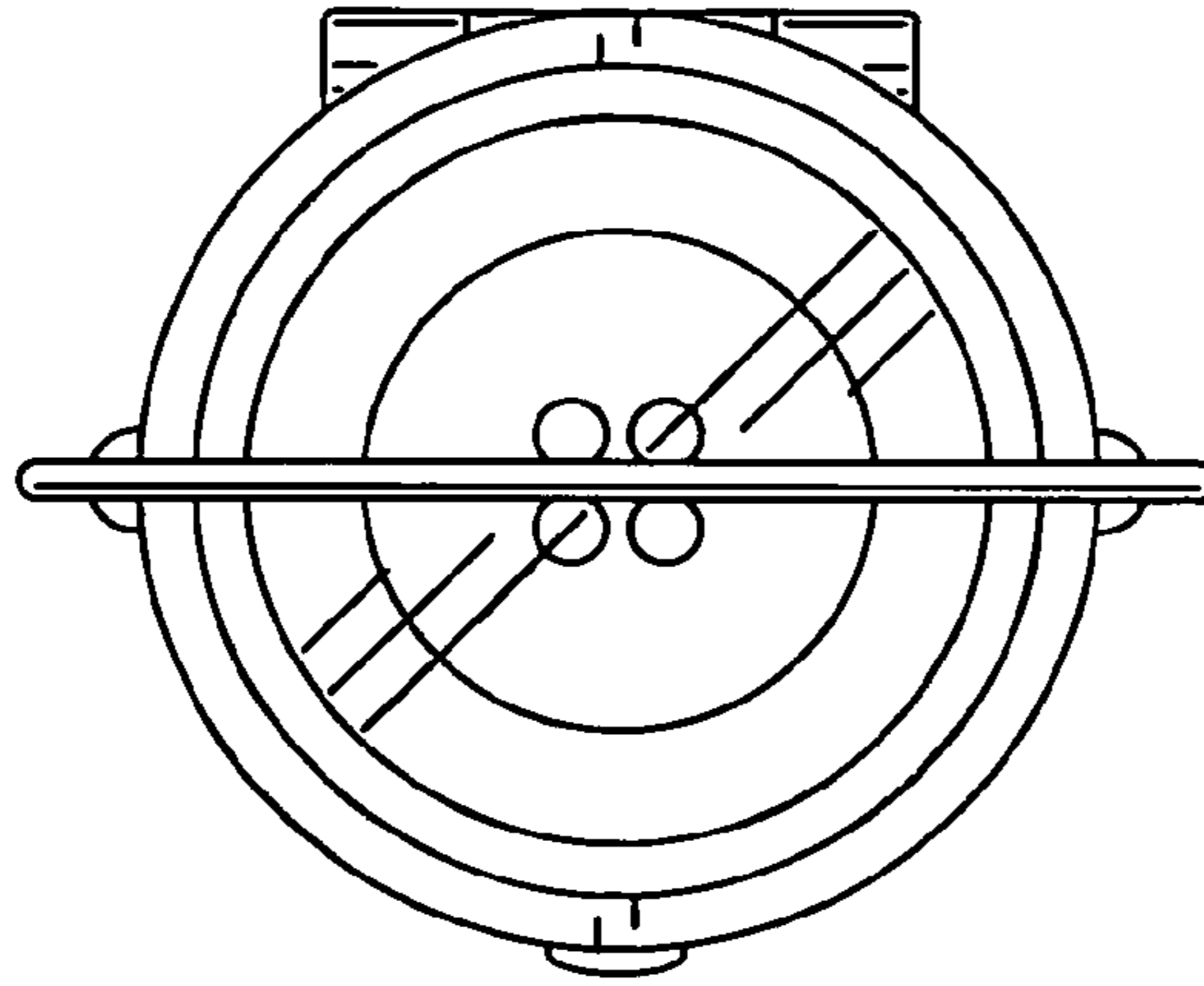


FIG. 5

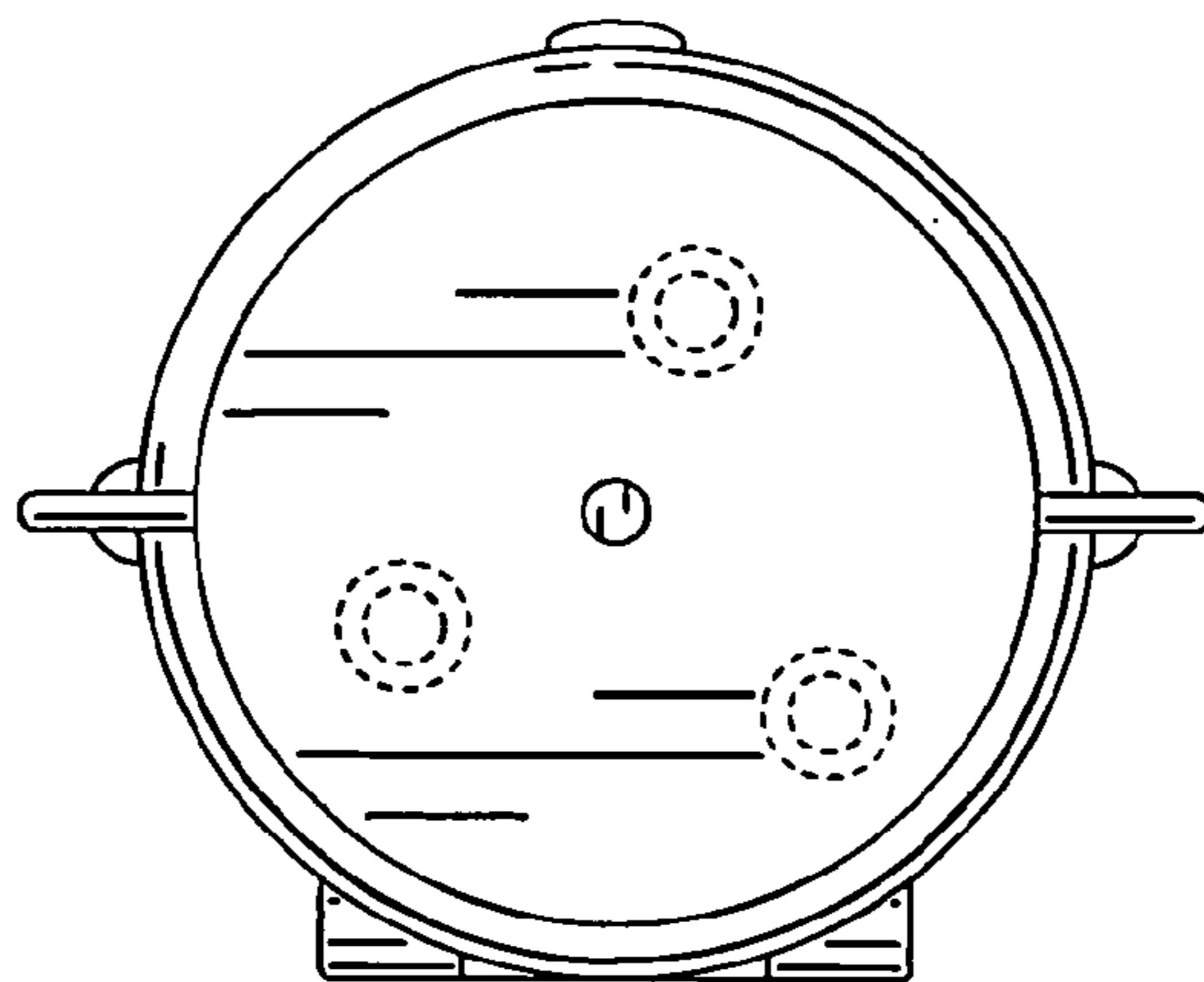


FIG. 6

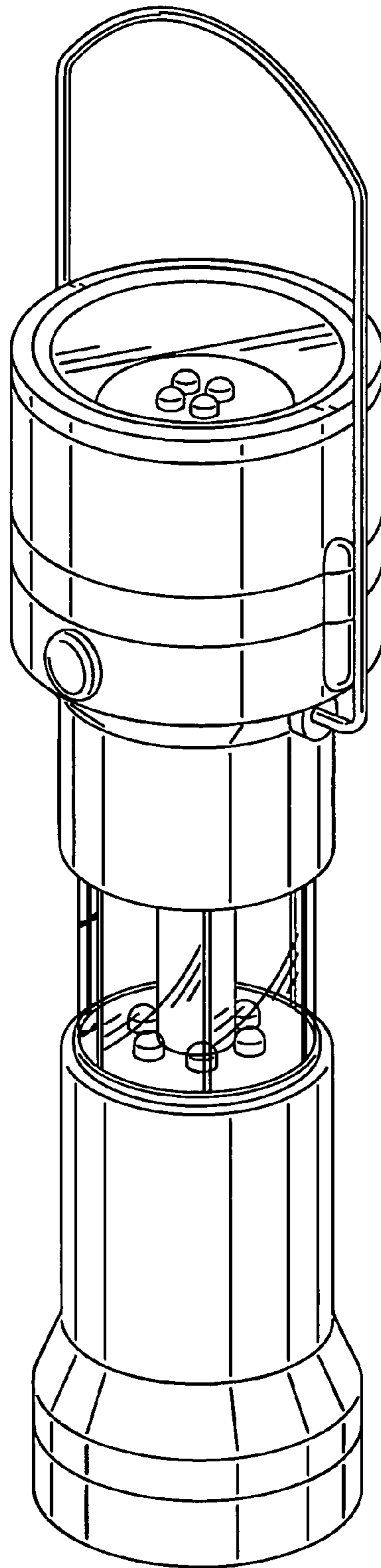


FIG. 7

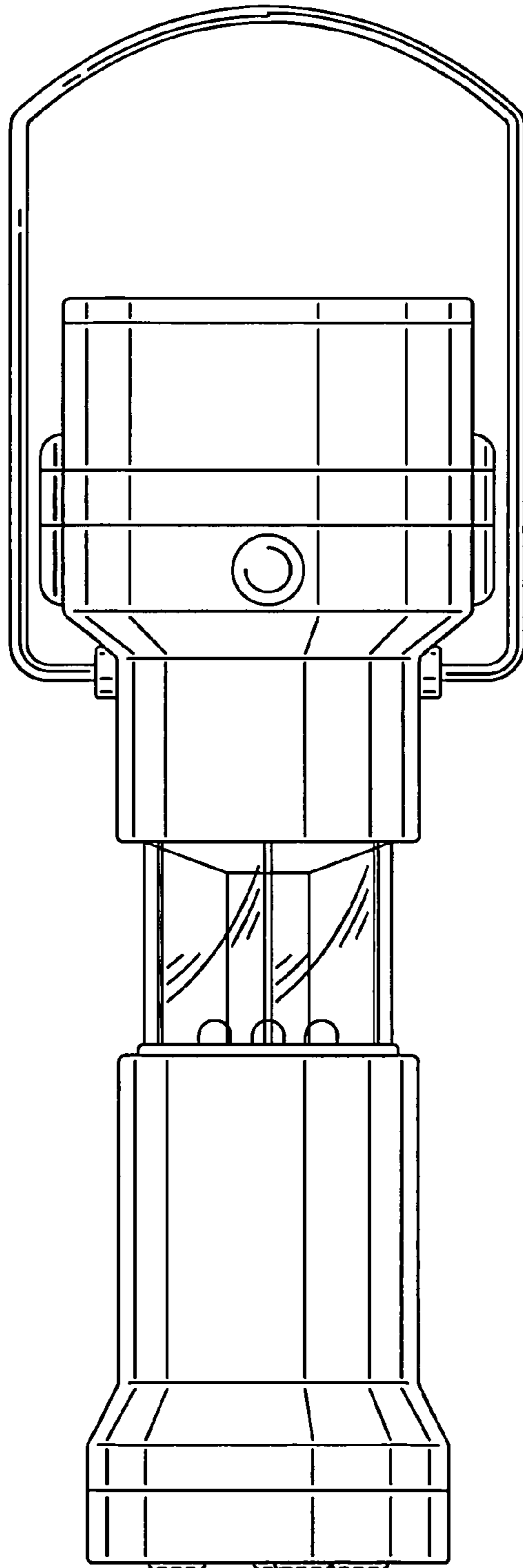


FIG. 8

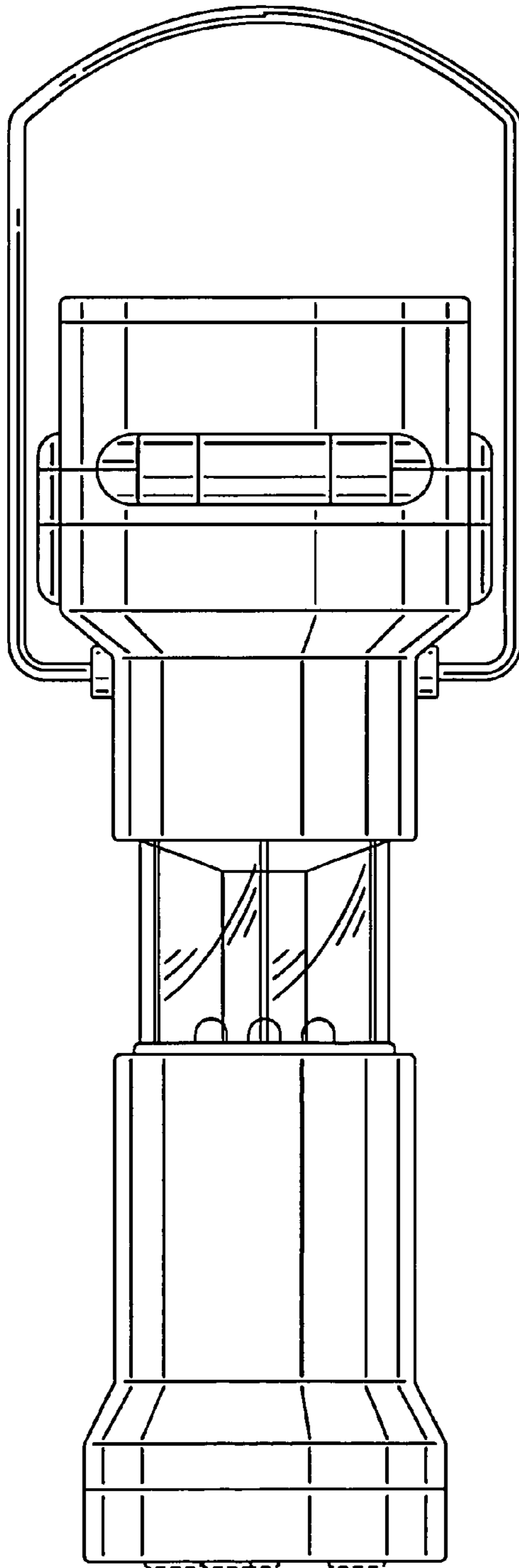


FIG. 9

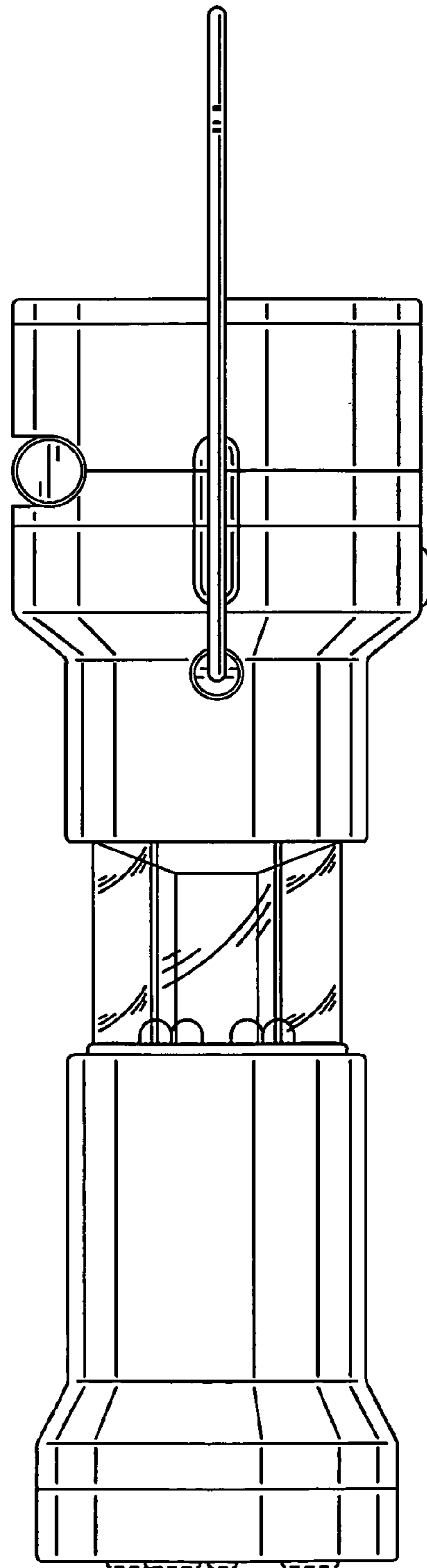


FIG. 10

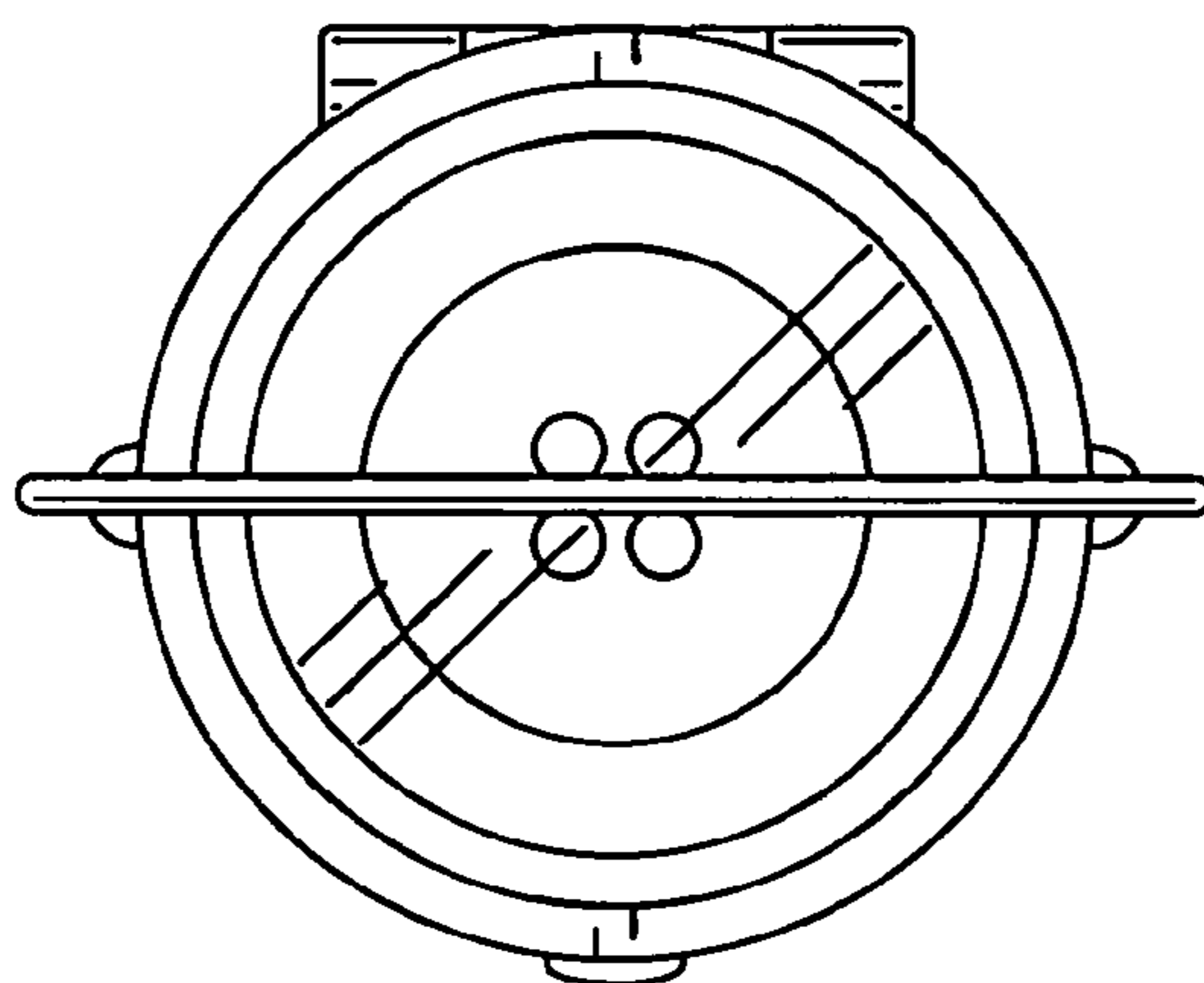


FIG. 11

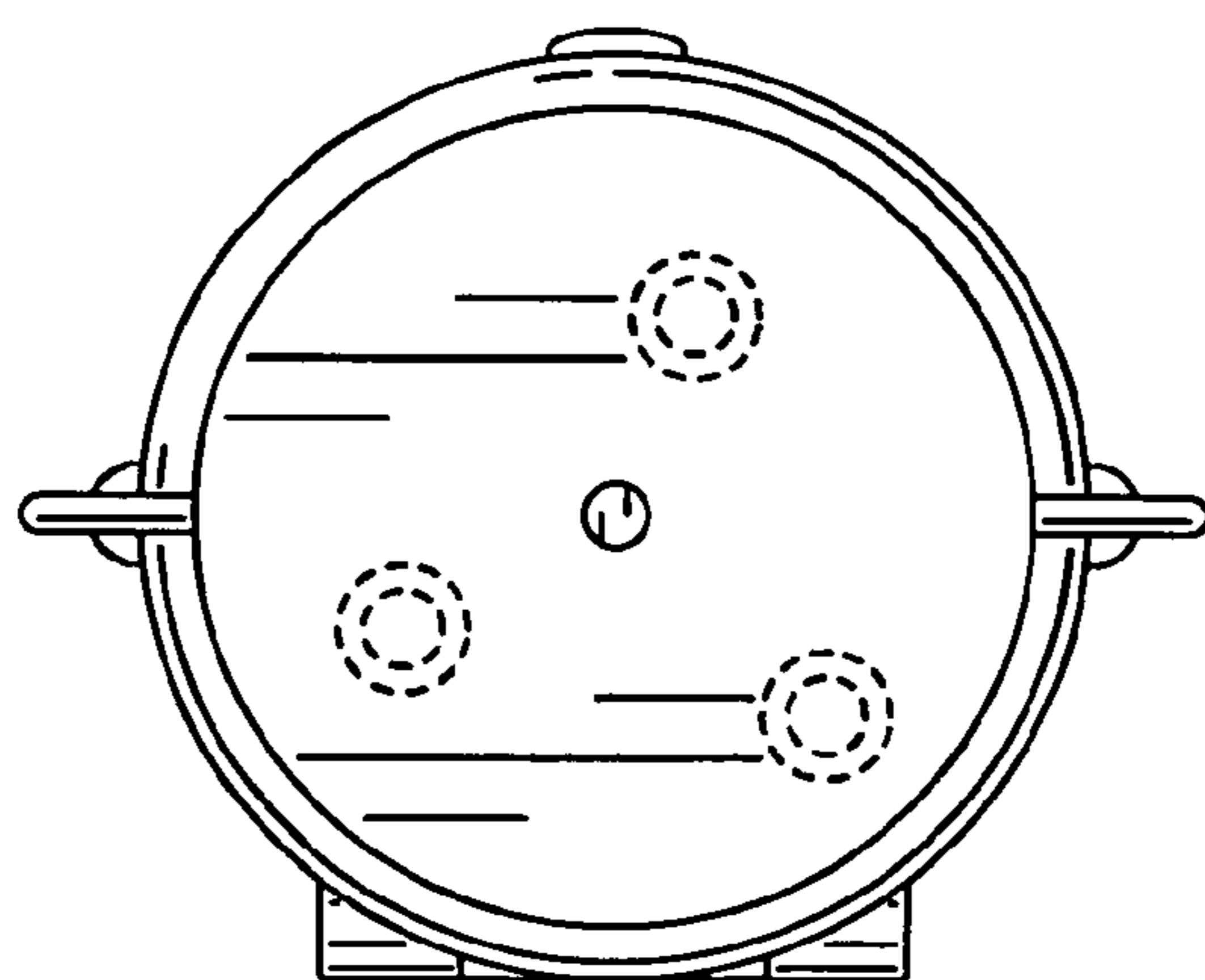


FIG. 12

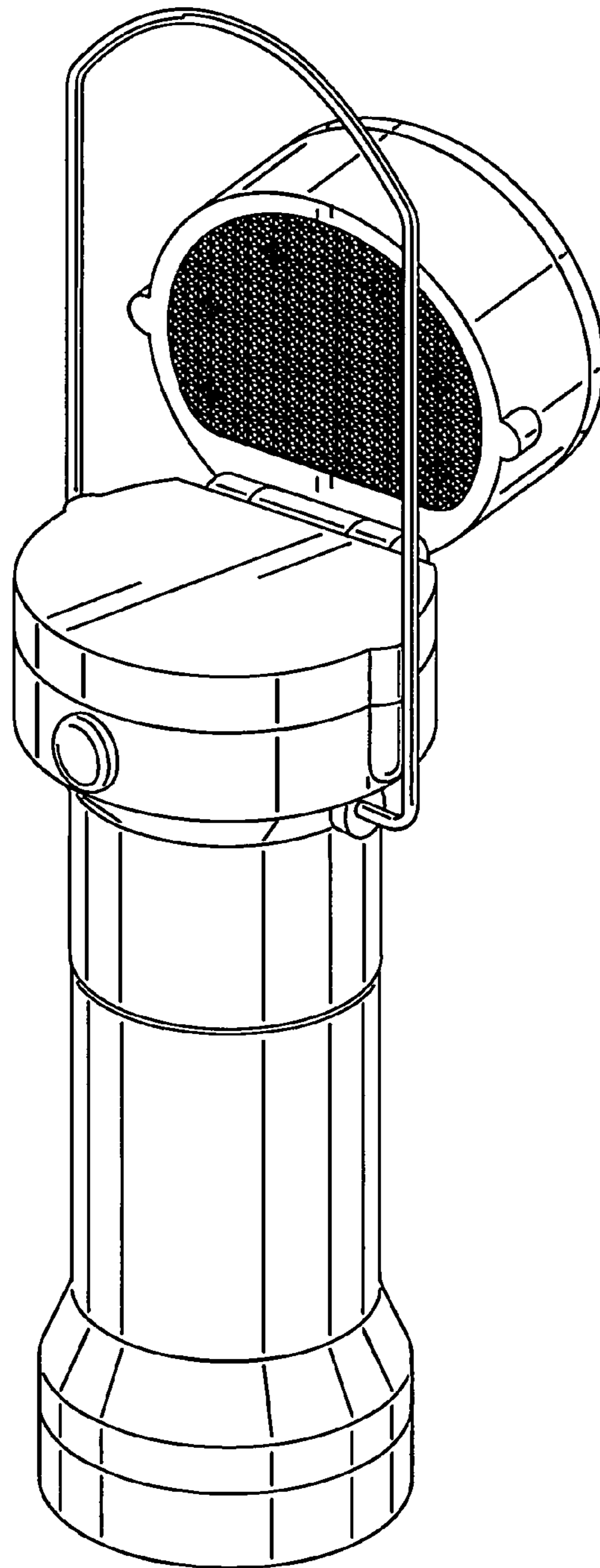


FIG. 13

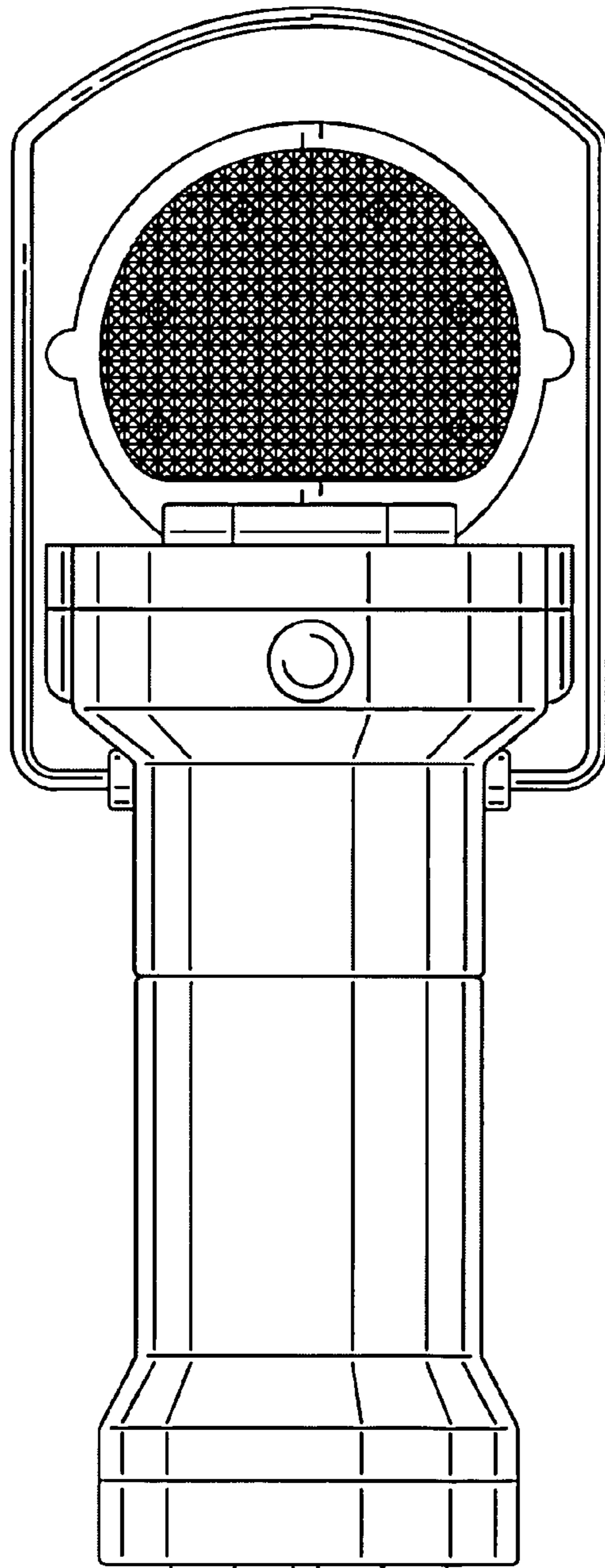


FIG. 14

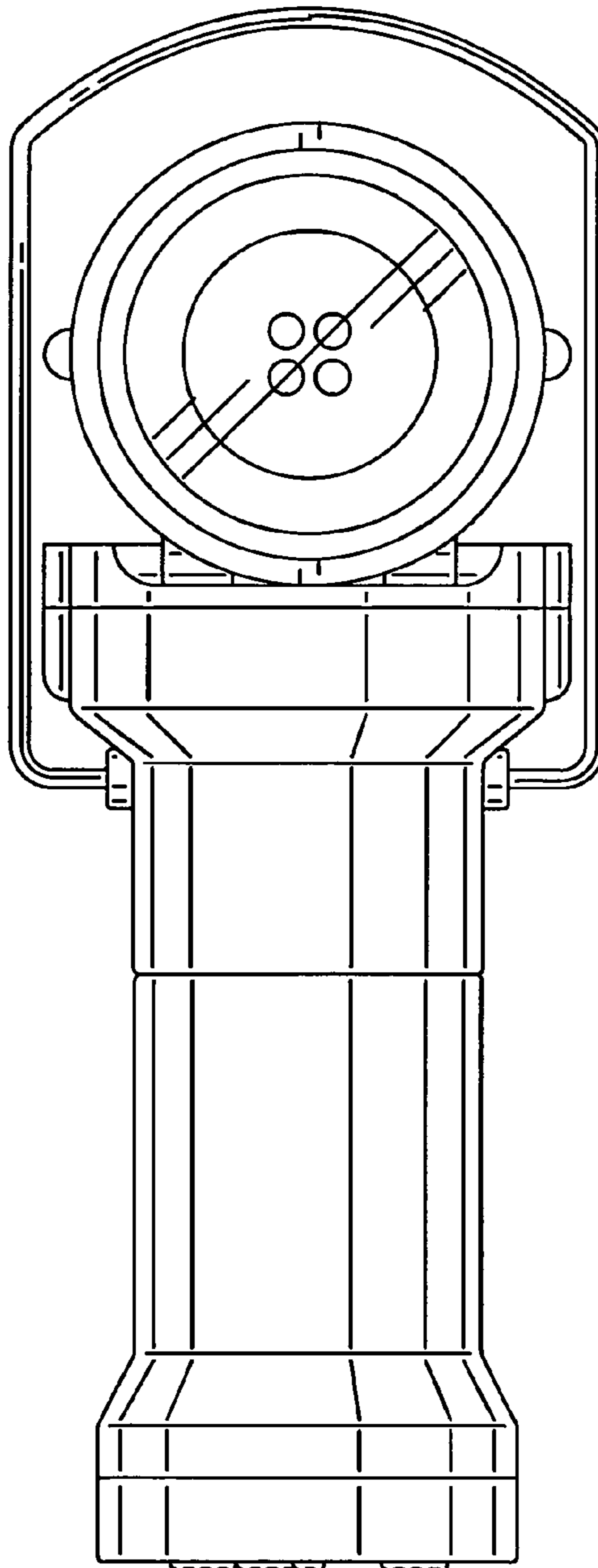


FIG. 15

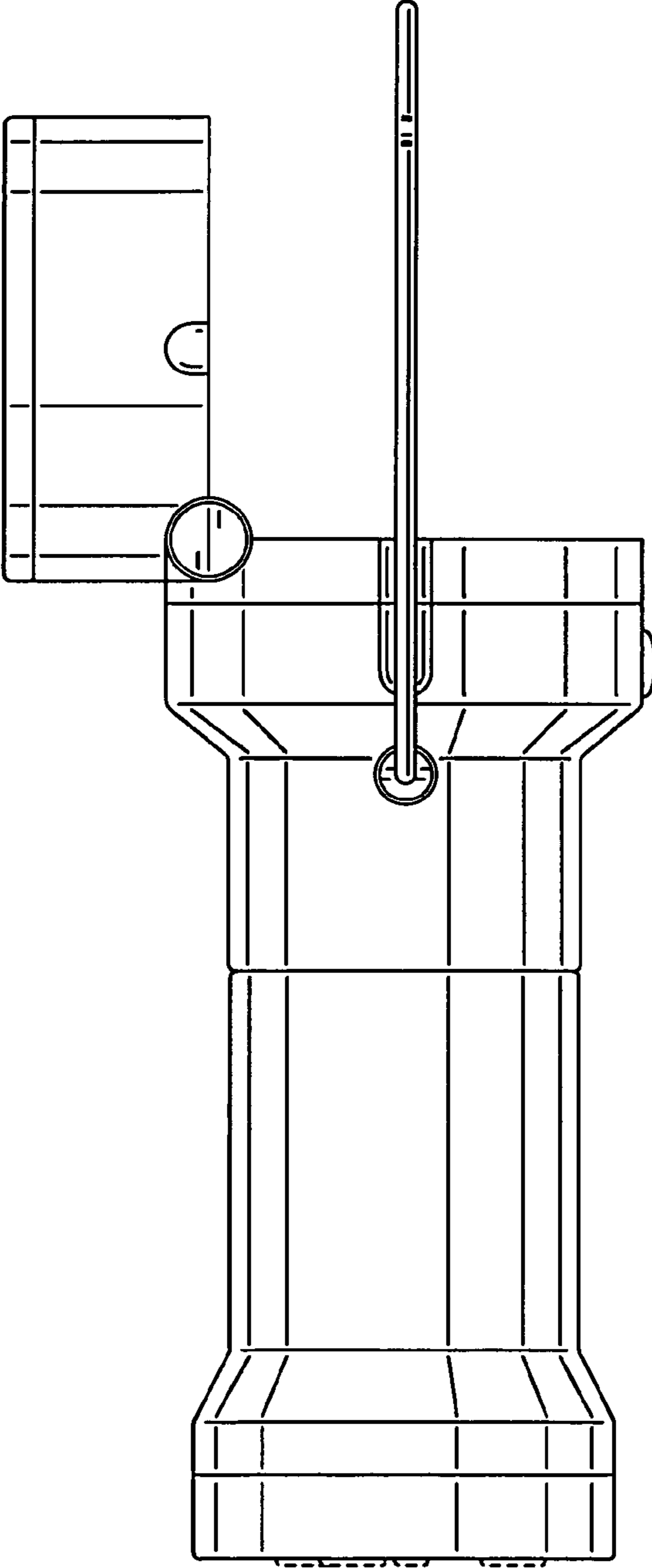


FIG. 16

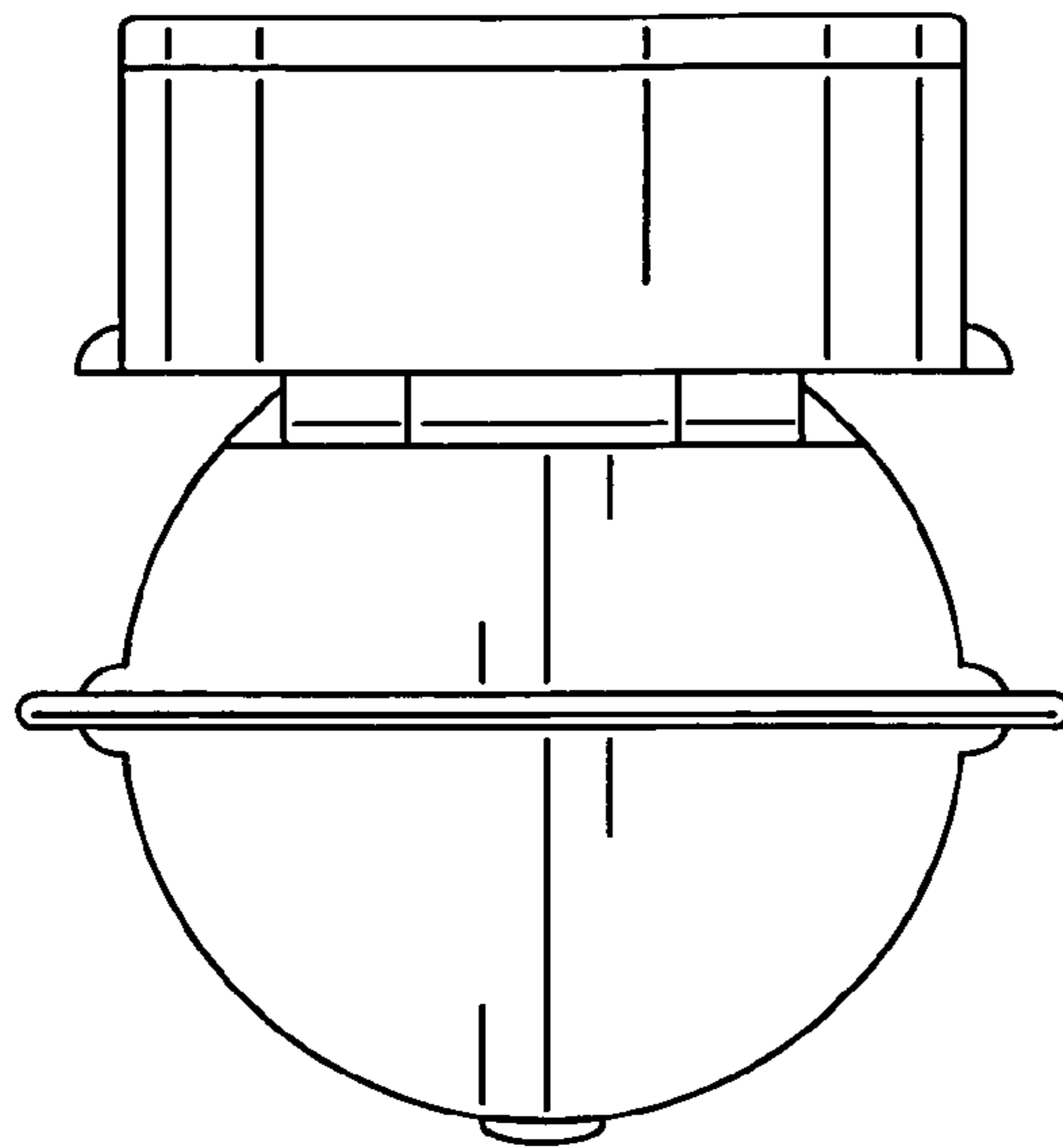


FIG. 17

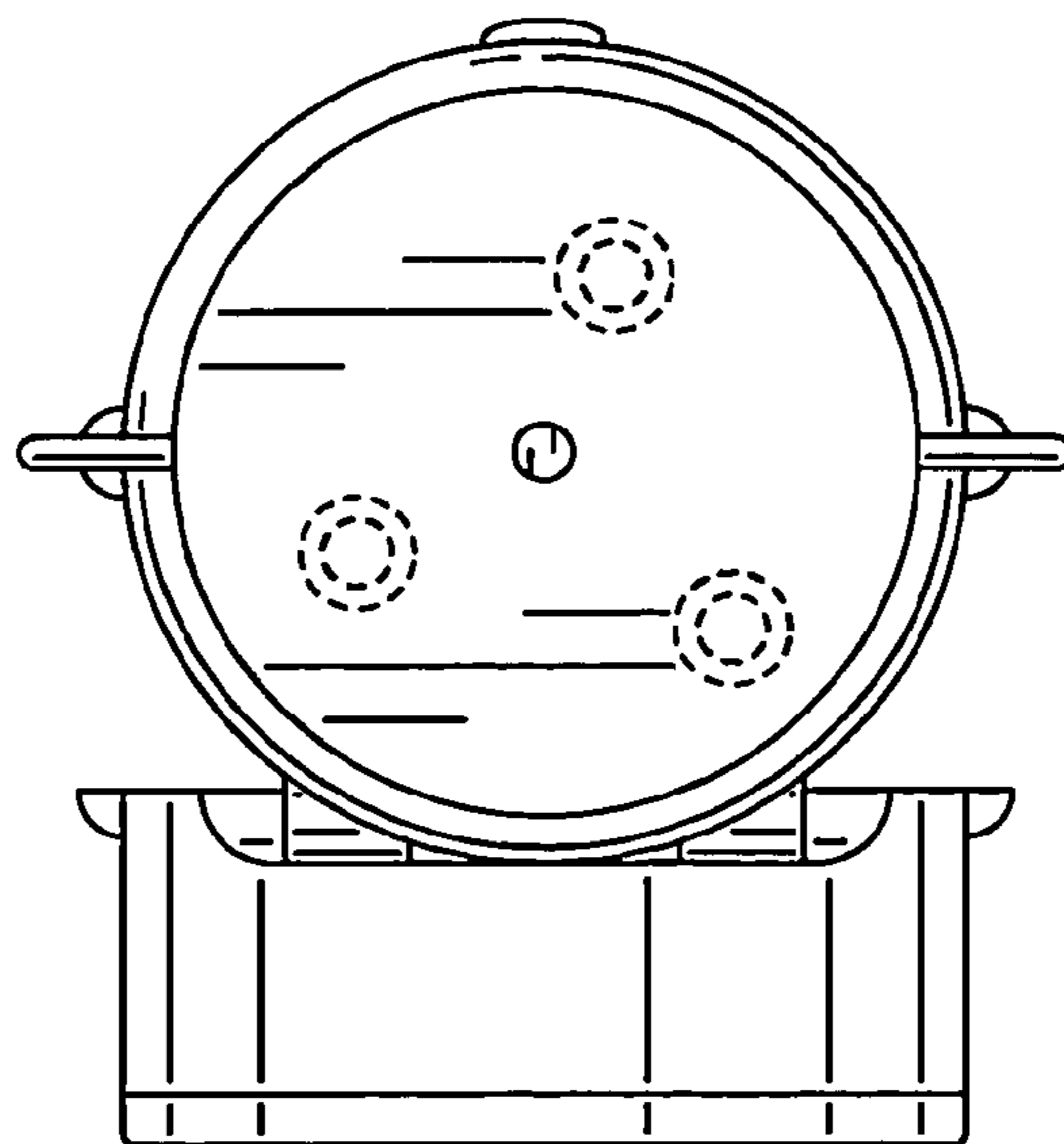


FIG. 18