

US00D738020S

(12) **United States Design Patent**
Sheikh et al.

(10) **Patent No.:** **US D738,020 S**
(45) **Date of Patent:** **** Sep. 1, 2015**

(54) **COMBINATION FLASHLIGHT AND STUN GUN**

(71) Applicants: **Yasar Sheikh**, Sanford, FL (US);
Shabbir Sheikh, Sanford, FL (US)

(72) Inventors: **Yasar Sheikh**, Sanford, FL (US);
Shabbir Sheikh, Sanford, FL (US)

(**) Term: **14 Years**

(21) Appl. No.: **29/467,055**

(22) Filed: **Sep. 13, 2013**

(51) **LOC (10) Cl.** **26-02**

(52) **U.S. Cl.**
USPC **D26/38; D22/117**

(58) **Field of Classification Search**
USPC D26/37, 38, 40, 46, 49, 51; 362/158,
362/157, 183, 184, 194–196, 200–208,
362/253; D22/117–120; D28/88–89
CPC F21L 2/00; F21L 4/00; F21L 4/005;
F21L 17/00; F21L 13/08; F21L 2003/00;
F21L 2005/00; F21V 33/00; F21V 14/025;
F21V 21/406; F21Y 2101/02; F41H 13/00
See application file for complete search history.

(56) **References Cited**

U.S. PATENT DOCUMENTS

4,968,034	A	11/1990	Hsieh	
D431,874	S *	10/2000	Burns	D26/49
D513,334	S	12/2005	Galey	
D515,230	S *	2/2006	Galli	D26/49
D523,981	S *	6/2006	Galli	D26/37
D531,746	S *	11/2006	Zhu	D26/49
D541,454	S	4/2007	Galey	
D544,123	S *	6/2007	Galli	D26/49
D546,491	S *	7/2007	Shiu	D26/49
D551,366	S *	9/2007	Galli	D26/37
D553,282	S *	10/2007	Zhu	D26/49
7,278,764	B2	10/2007	Kim	

D557,836	S *	12/2007	Shiu	D26/37
D565,769	S	4/2008	Shiu	
D577,845	S *	9/2008	Shiu	D26/49
D578,236	S	10/2008	Dalton	
D585,577	S	1/2009	Bonis	
D586,025	S	2/2009	Bonis	
D595,439	S	6/2009	Haight et al.	
D599,928	S	9/2009	Shiu	
D600,384	S *	9/2009	Chen	D26/49

(Continued)

Primary Examiner — Ian Simmons

Assistant Examiner — Carissa C Fitts

(74) *Attorney, Agent, or Firm* — QuickPatents; Kevin Prince

(57) **CLAIM**

We claim the ornamental design for a combination flashlight and stun gun, as shown and described.

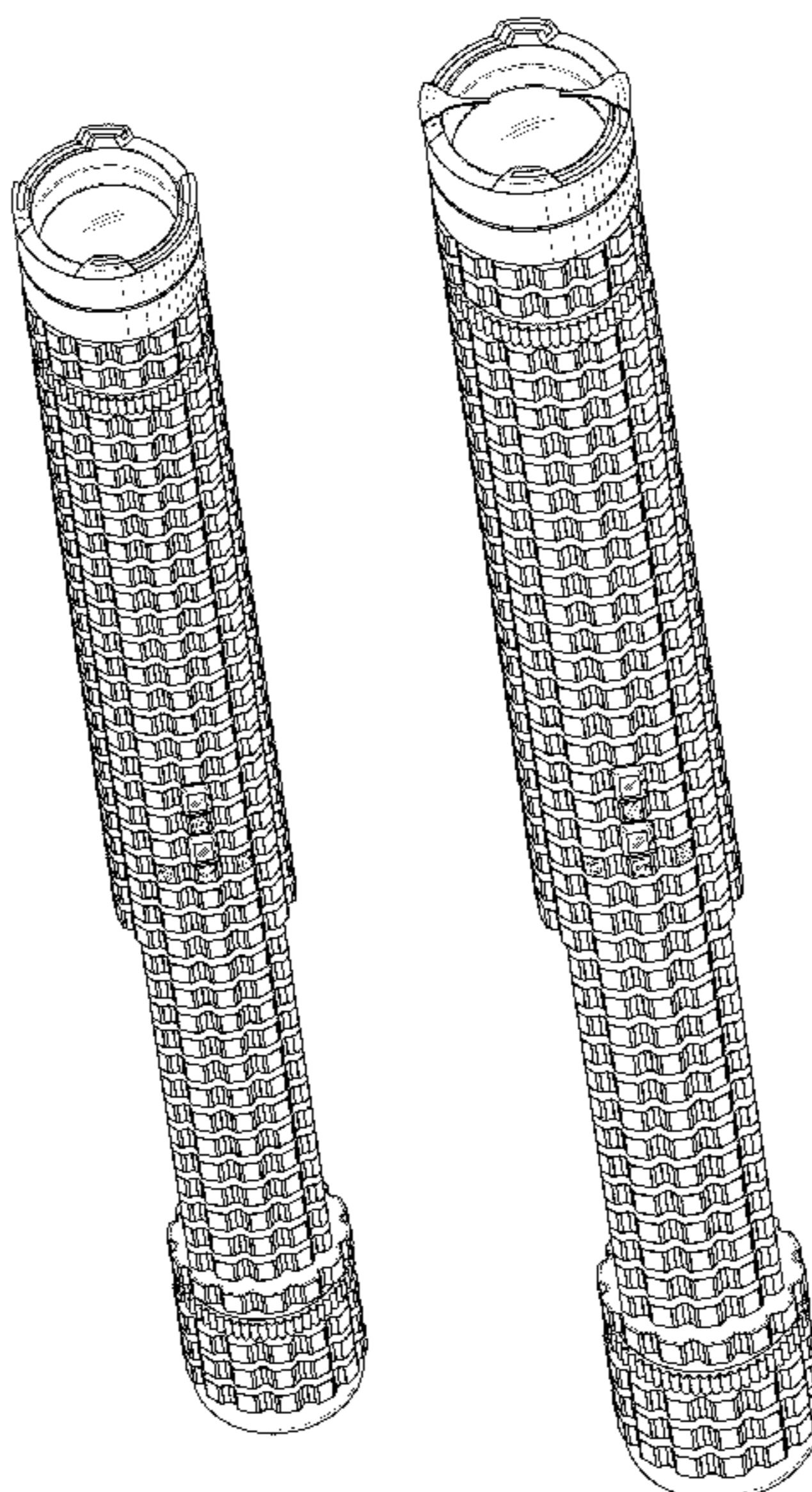
DESCRIPTION

FIG. 1 is a front perspective view of a combination flashlight and stun gun, showing a first embodiment of our new design; FIG. 2 is a rear perspective view of FIG. 1; FIG. 3 is a front elevational view of FIG. 1; FIG. 4 is a rear elevational view of FIG. 1; FIG. 5 is a right-side elevational view of FIG. 1; FIG. 6 is a left-side elevational view of FIG. 1; FIG. 7 is a top plan view of FIG. 1; FIG. 8 is a bottom plan view of FIG. 1; FIG. 9 is a front perspective view of a second embodiment thereof; FIG. 10 is a top plan view of FIG. 9; FIG. 11 is a bottom plan view of FIG. 9; and, FIG. 12 is a front elevational view of FIG. 9.

It is understood that the rear elevational views, left-side elevational views, and right-side elevational views are all identical for both embodiments, respectively.

The broken line showing represents unclaimed portions of the article only and forms no part of the claimed design.

1 Claim, 5 Drawing Sheets



(56)

References Cited

U.S. PATENT DOCUMENTS

D601,736 S 10/2009 Swan
D603,988 S 11/2009 Sharrah
D611,115 S 3/2010 Pennington
D629,542 S 12/2010 Robinson
D629,544 S 12/2010 Deguglimo et al.
D629,546 S 12/2010 Deguglimo et al.
D646,346 S 10/2011 Rae
D647,232 S 10/2011 Liu
D647,654 S 10/2011 Li
D648,467 S 11/2011 Nguyen et al.

D649,670 S 11/2011 Robinson
D666,344 S 8/2012 Lee
D671,249 S 11/2012 Sheikh et al.
D674,943 S 1/2013 Sheikh et al.
D688,827 S * 8/2013 Popper et al. D26/118
D691,691 S * 10/2013 Sheikh et al. D22/117
D691,692 S * 10/2013 Sheikh et al. D22/117
D698,056 S * 1/2014 Forbes et al. D26/49
D706,897 S * 6/2014 Sheikh et al. D22/117
D709,232 S * 7/2014 Inskeep D26/49
D717,480 S * 11/2014 Hsu et al. D26/49
D719,694 S * 12/2014 Nawaz D26/38

* cited by examiner

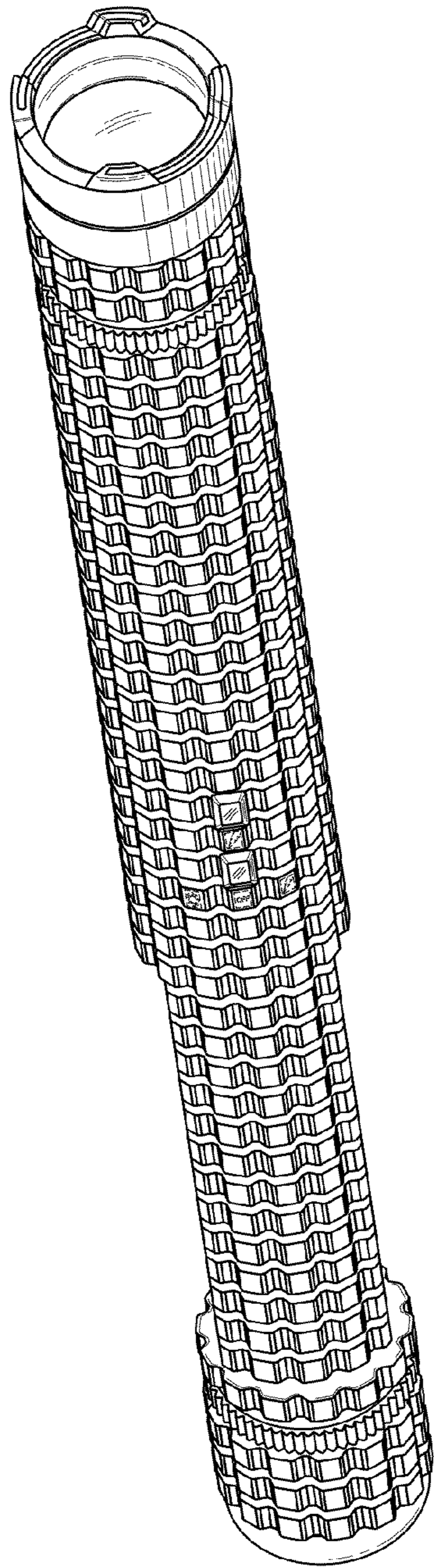


FIG. 1

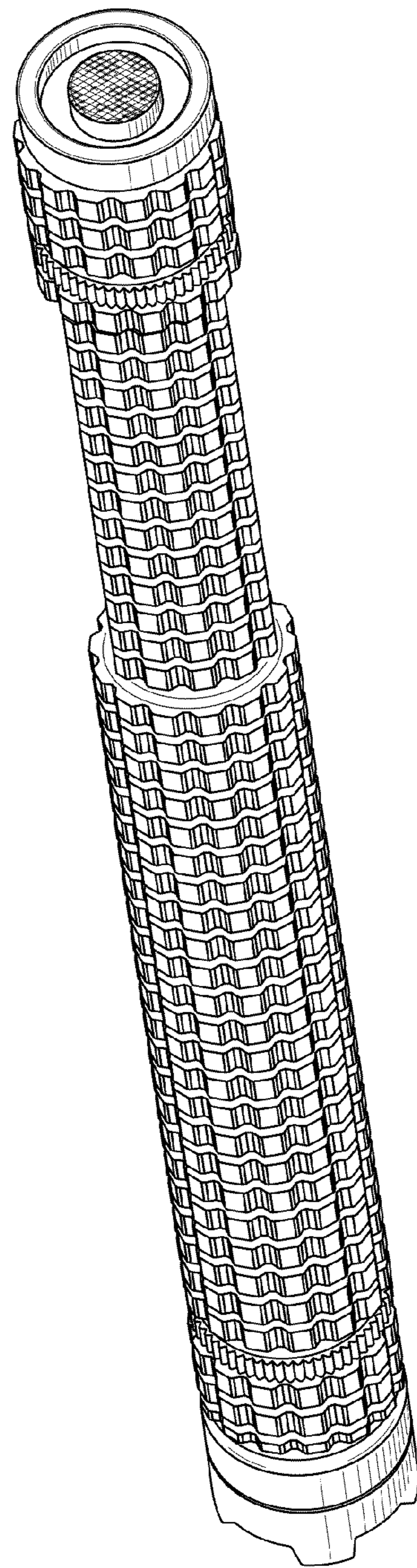


FIG. 2

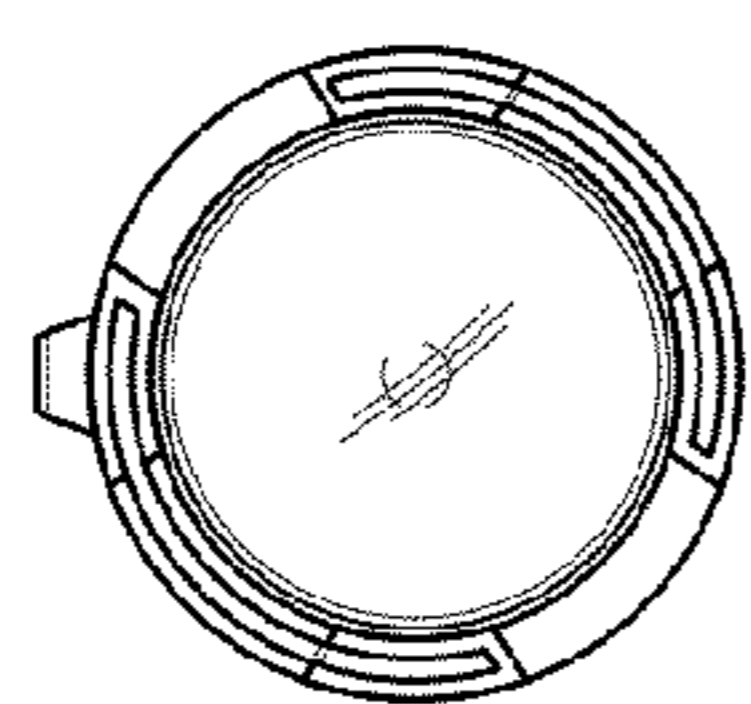


FIG. 3

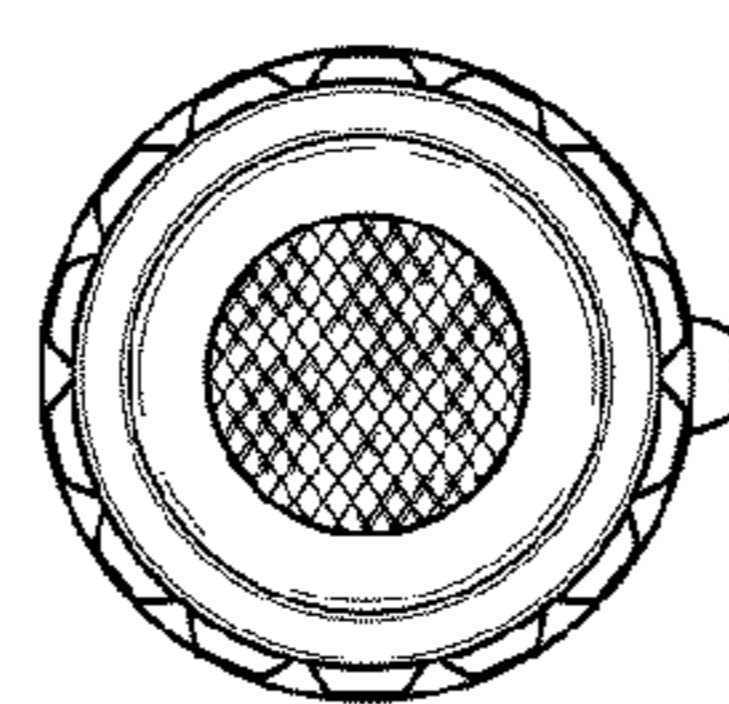


FIG. 4

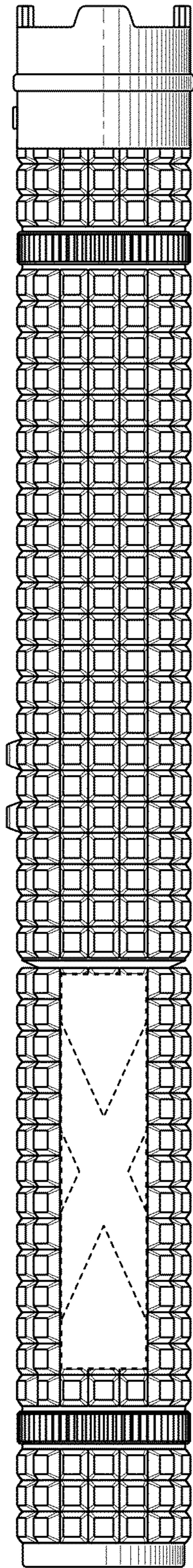


FIG. 5

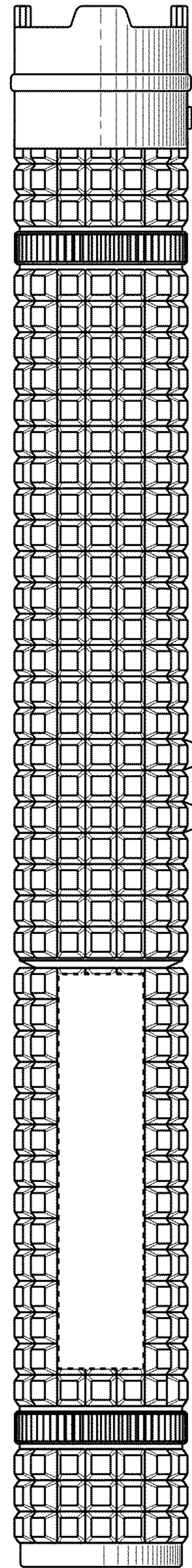


FIG. 6

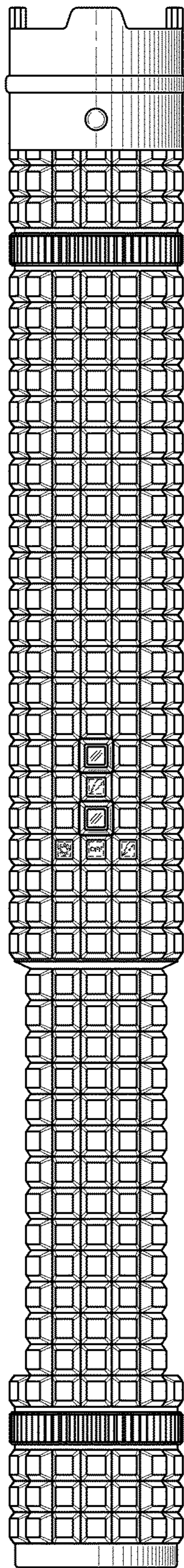


FIG. 7

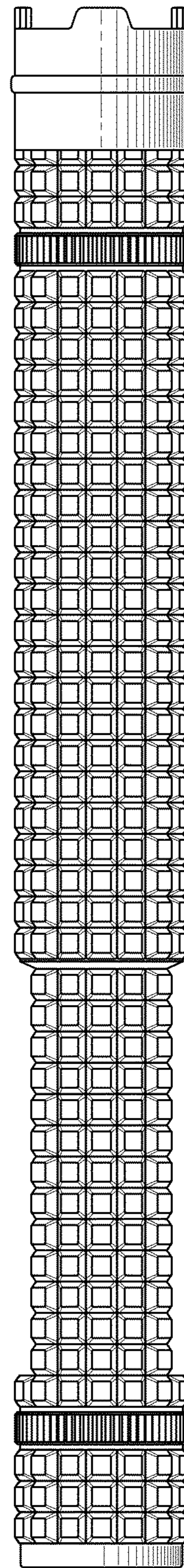


FIG. 8

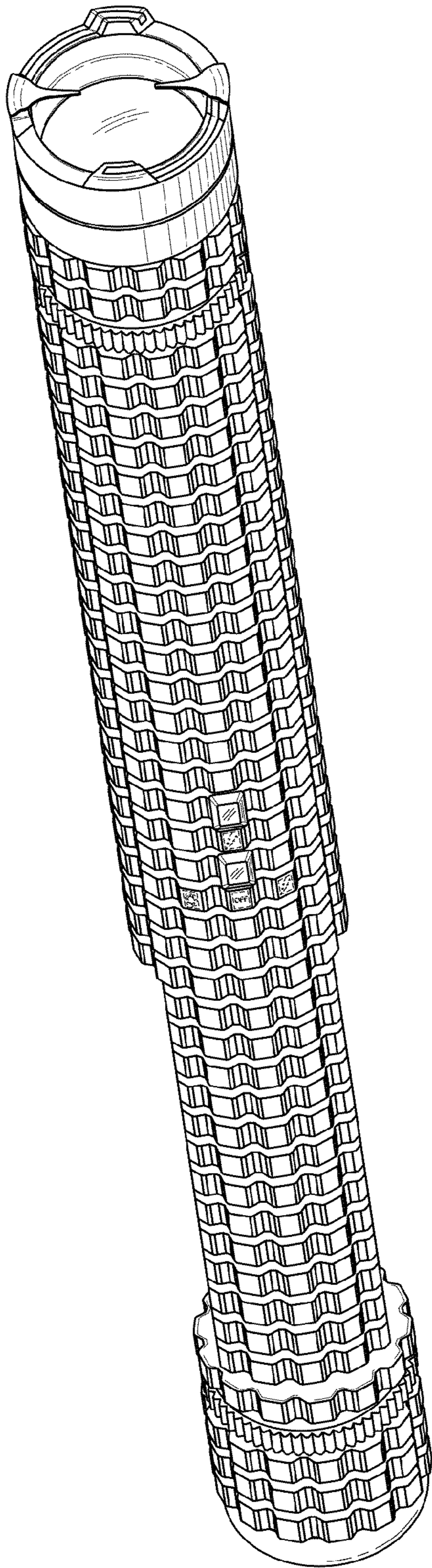


FIG. 9

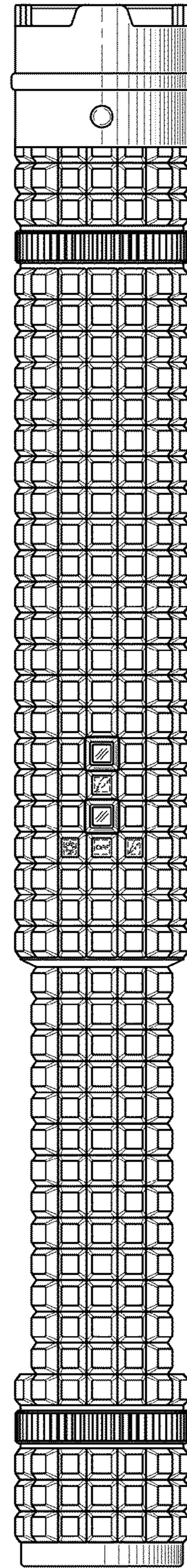


FIG. 10

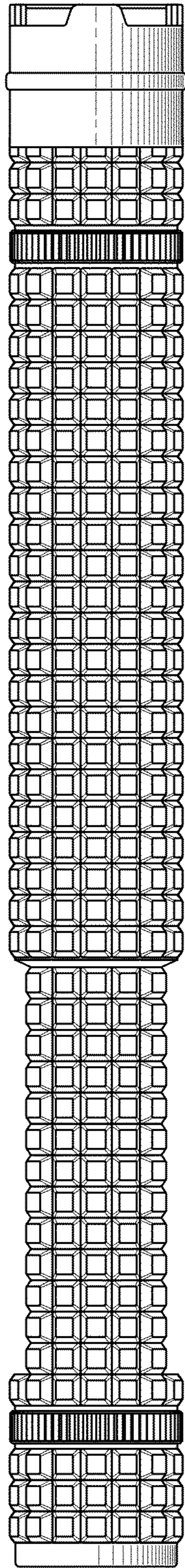


FIG. 11

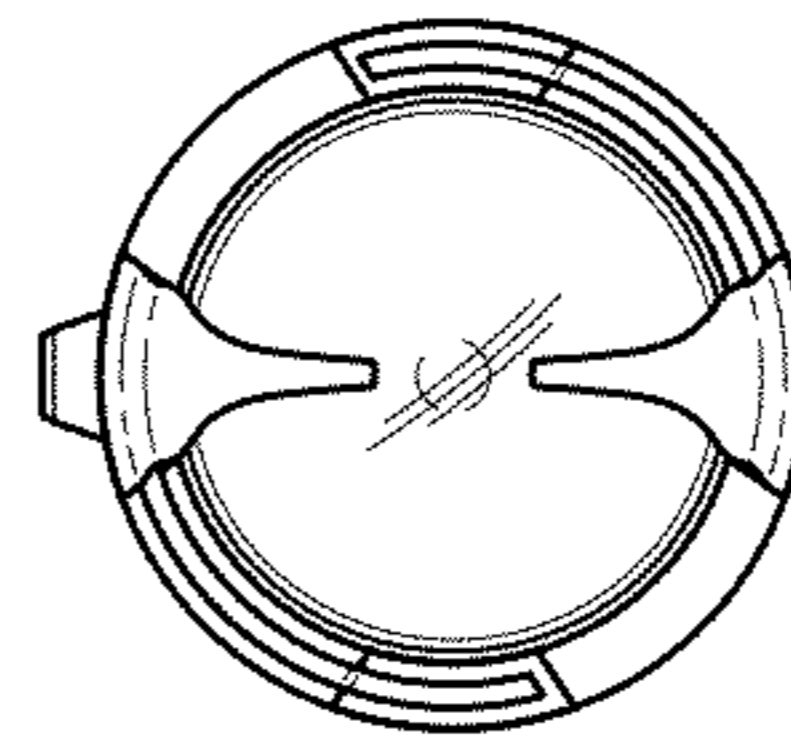


FIG. 12