

US00D738015S

(12) **United States Design Patent**
Lin

(10) **Patent No.:** **US D738,015 S**
(45) **Date of Patent:** **** Sep. 1, 2015**

(54) **LED LAMP**

(71) Applicant: **Eagle Technology Co., Ltd.**, Guangzhou (CN)

(72) Inventor: **Gao Lin**, Guangzhou (CN)

(73) Assignee: **EAGLE TECHNOLOGY CO., LTD.**, Guangzhou (CN)

(**) Term: **14 Years**

(21) Appl. No.: **29/512,406**

(22) Filed: **Dec. 18, 2014**

Related U.S. Application Data

(62) Division of application No. 29/443,796, filed on Jan. 22, 2013, now Pat. No. Des. 724,770.

(30) **Foreign Application Priority Data**

Jul. 20, 2012 (EM) 002077008

(51) **LOC (10) Cl.** **26-06**

(52) **U.S. Cl.**
USPC **D26/28**

(58) **Field of Classification Search**
USPC D26/28-36; 362/459-468, 475-478,
362/485-487

See application file for complete search history.

(56) **References Cited**

U.S. PATENT DOCUMENTS

D490,172 S *	5/2004	Yamamoto	D26/28
D547,886 S	7/2007	Foo	
D554,279 S *	10/2007	Jeffries	D26/28
D564,683 S *	3/2008	Roach et al.	D26/28
D570,009 S *	5/2008	Kani et al.	D26/28
D574,978 S *	8/2008	Hyodo et al.	D26/28
D614,321 S	4/2010	Yang	
D621,971 S	8/2010	Yamamoto et al.	
D643,948 S	8/2011	Wada et al.	

* cited by examiner

Primary Examiner — Marcus Jackson

(74) *Attorney, Agent, or Firm* — Knobbe Martens Olson & Bear LLP

(57) **CLAIM**

The ornamental design for an LED lamp, as shown and described.

DESCRIPTION

FIG. 1 is top plan view of an LED lamp showing my new design.

FIG. 2 is a rear perspective view thereof.

FIG. 3 is a front elevational view thereof.

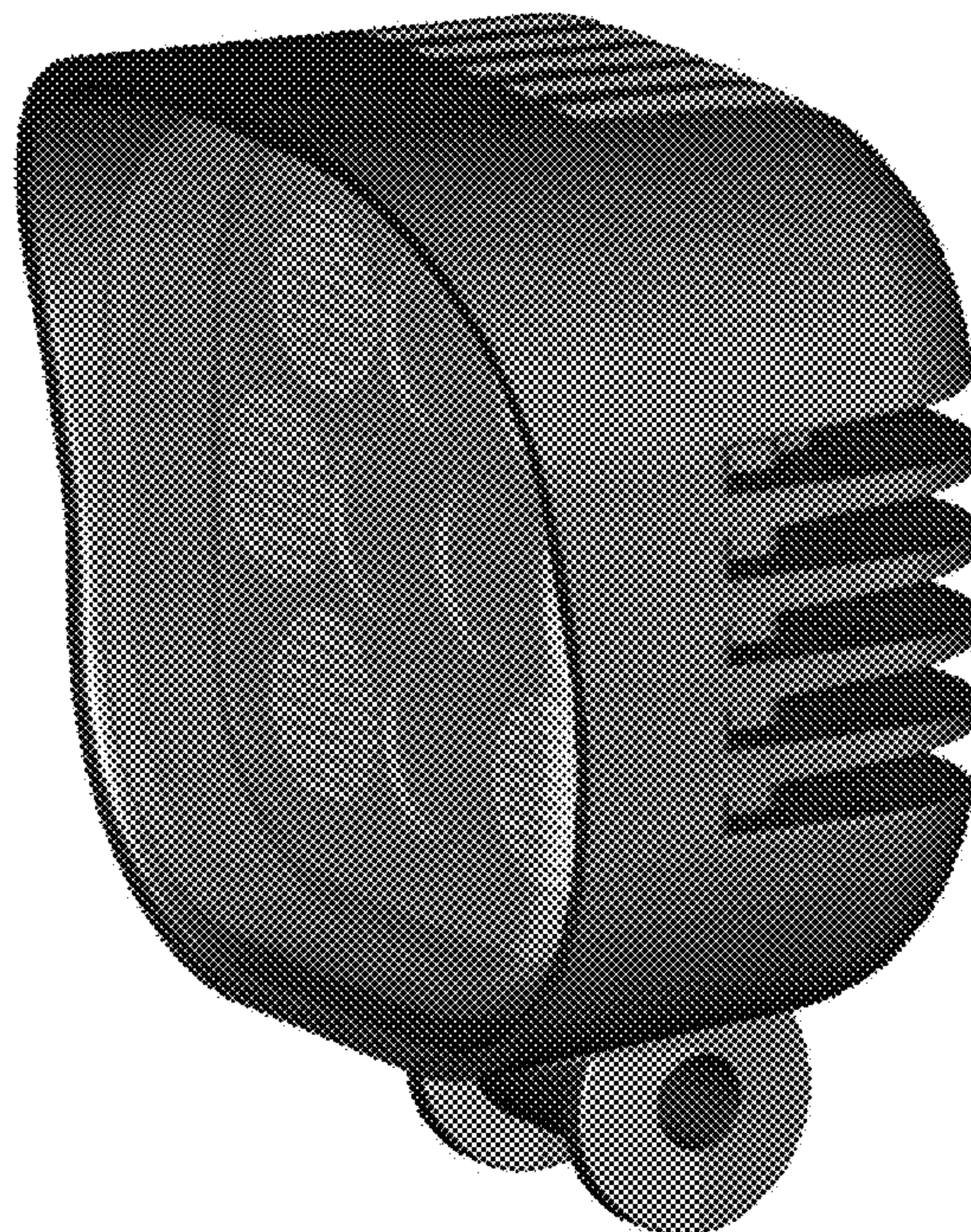
FIG. 4 is a left side elevational view thereof. The right side elevational view is a mirror image of the left side elevational view.

FIG. 5 is a rear elevational view thereof.

FIG. 6 is a bottom plan view thereof; and,

FIG. 7 is a front-left perspective view thereof.

1 Claim, 7 Drawing Sheets



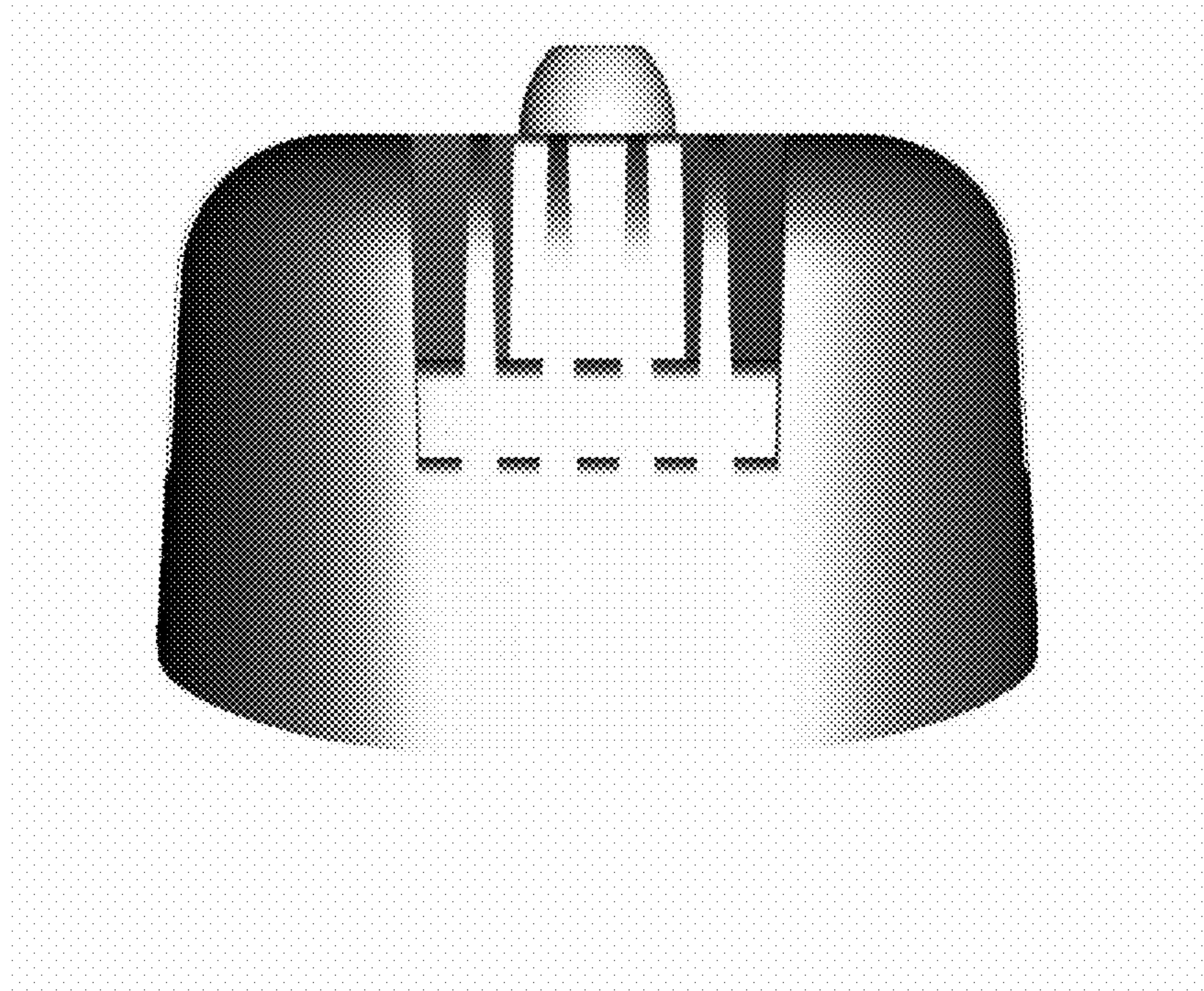


FIG. 1



FIG. 2

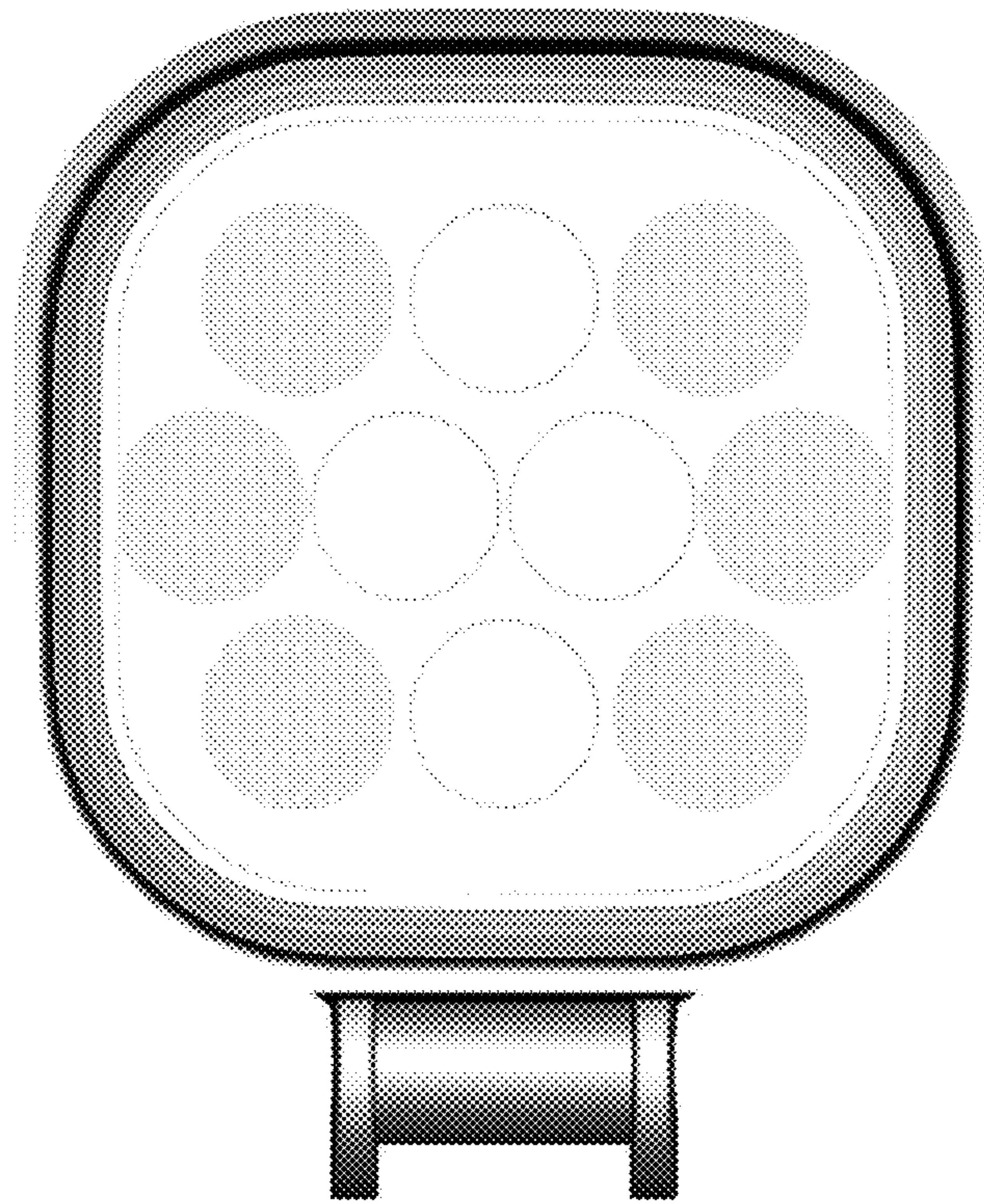


FIG. 3

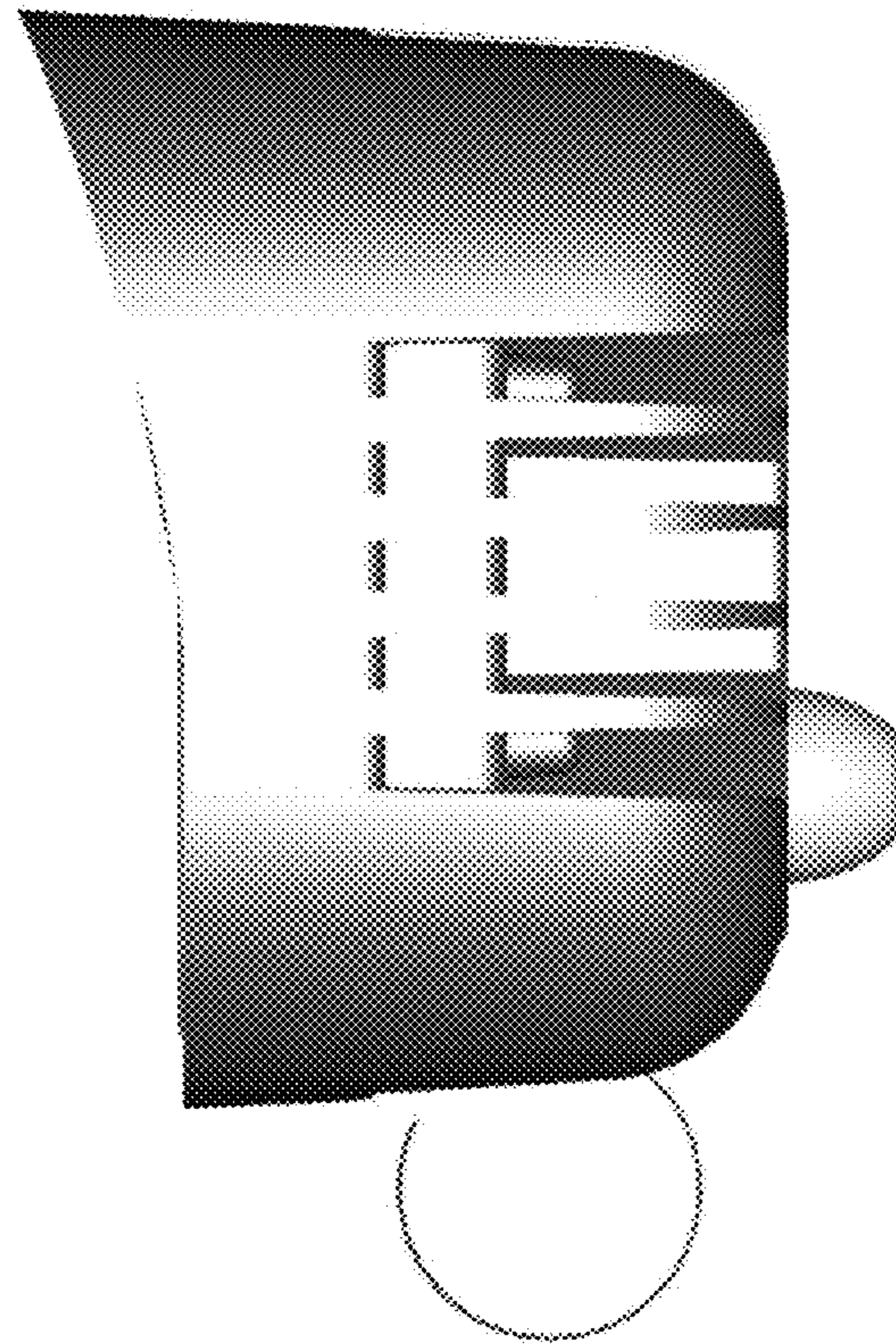


FIG. 4

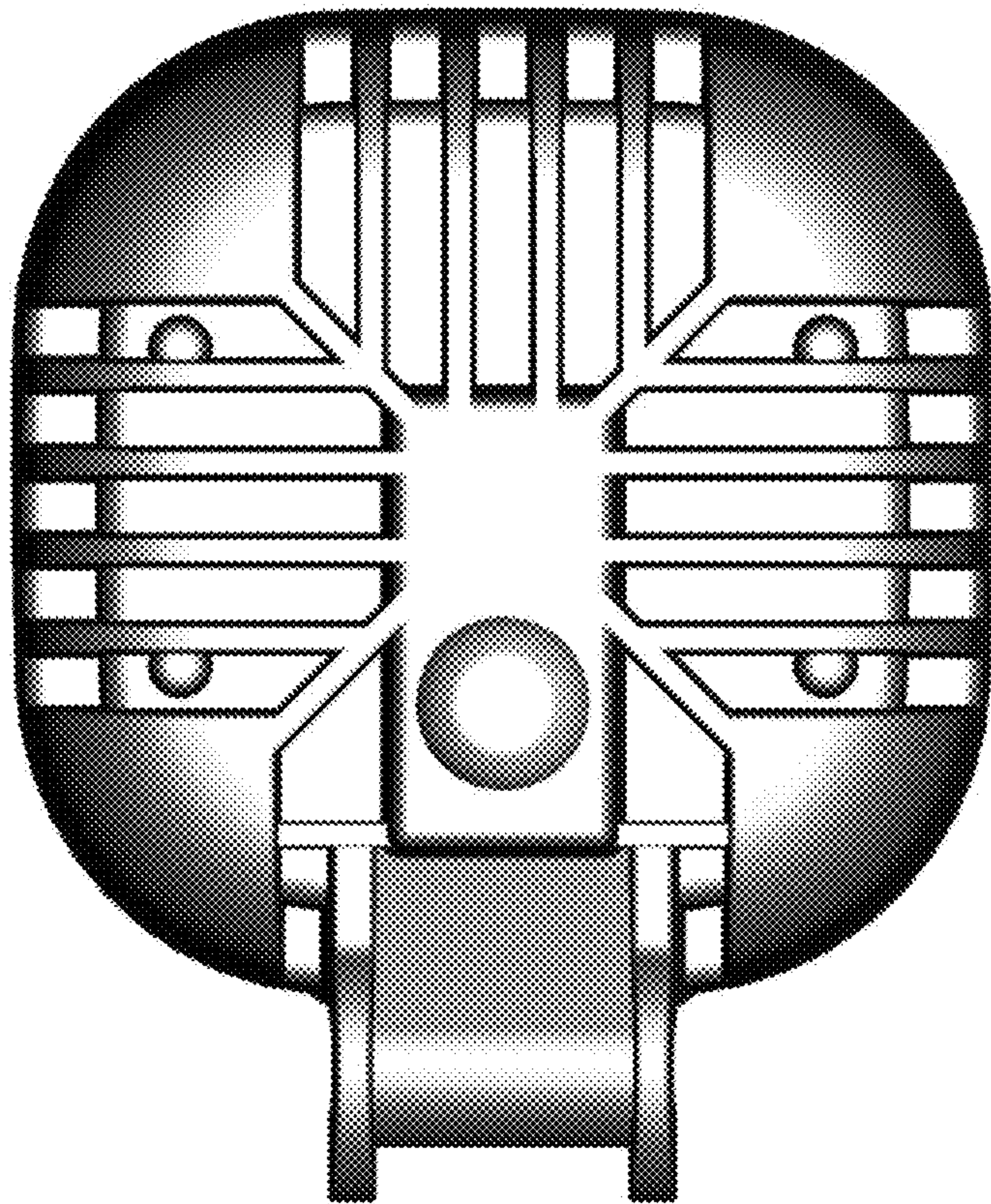


FIG. 5

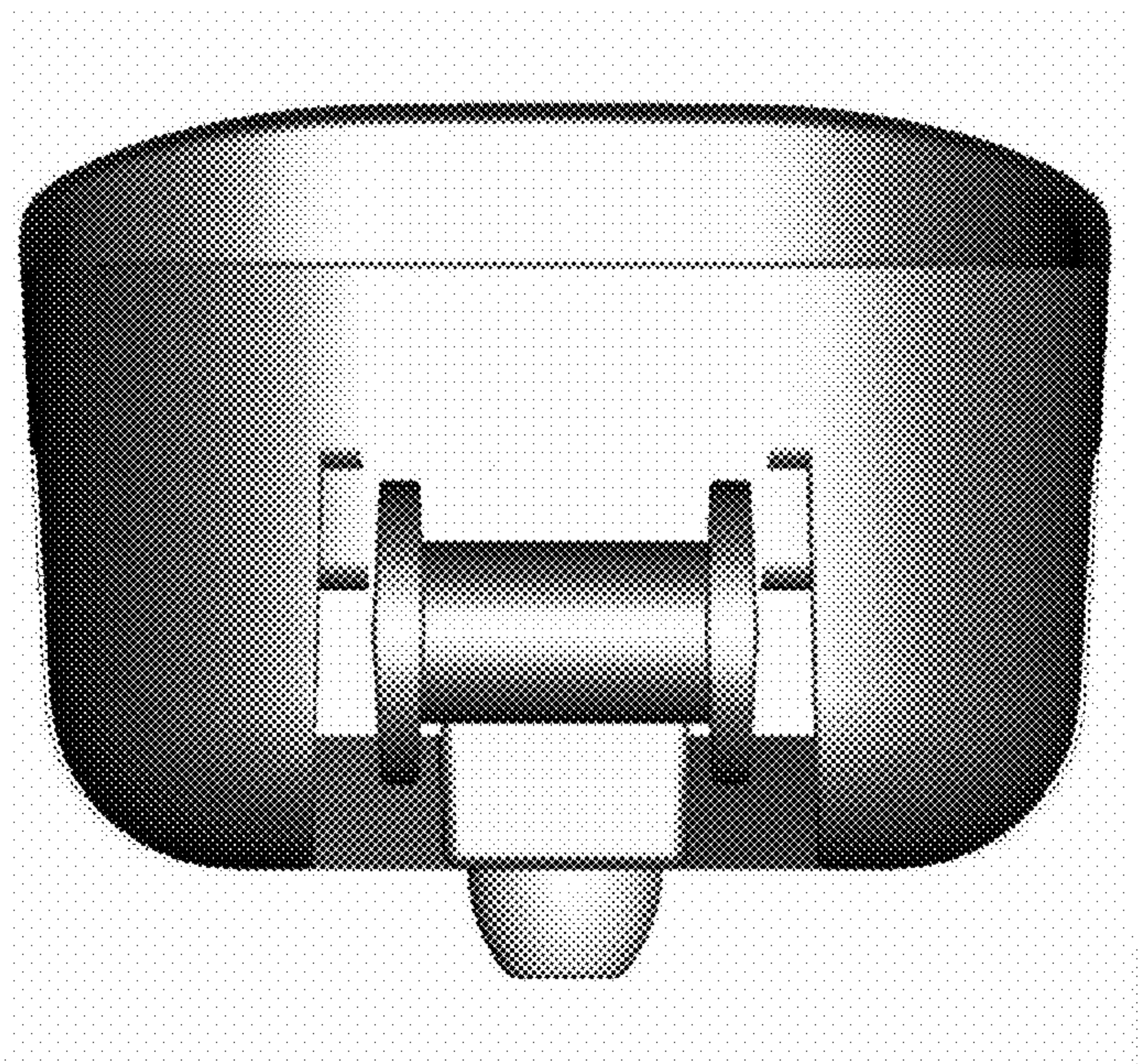


FIG. 6

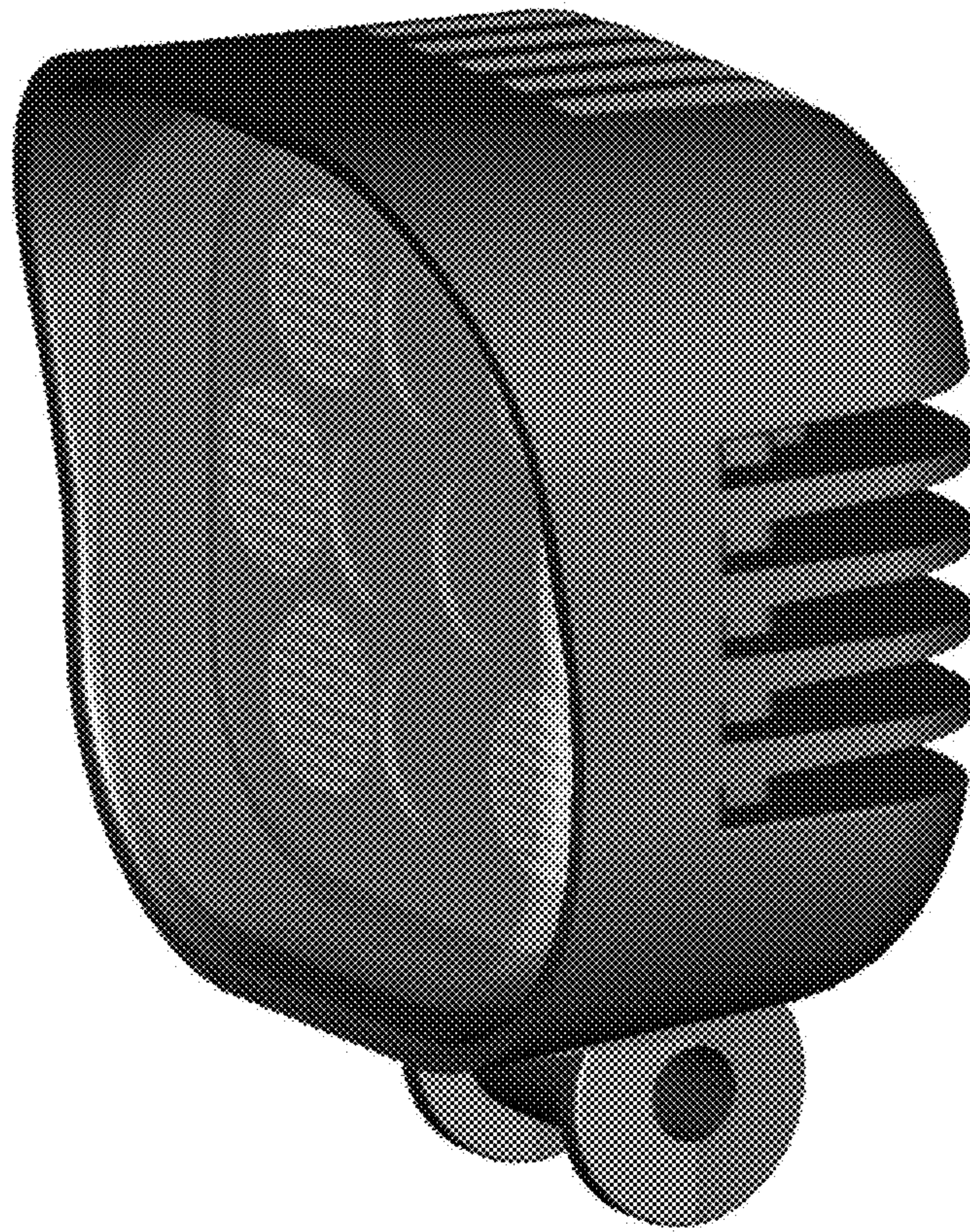


FIG. 7