



US00D738008S

(12) **United States Design Patent**
Gorsten Schuenemann et al.

(10) **Patent No.:** **US D738,008 S**

(45) **Date of Patent:** **** Sep. 1, 2015**

(54) **HEADLIGHT FOR A VEHICLE**

(71) Applicant: **Daimler AG**, Stuttgart (DE)

(72) Inventors: **Felipe Gorsten Schuenemann**, Stuttgart (DE); **Oliver Stick**, Aidlingen (DE); **Benoit Tallec**, Boeblingen (DE); **Gorden Wagener**, Gaeufelden (DE)

(73) Assignee: **Daimler AG**, Stuttgart (DE)

(**) Term: **14 Years**

(21) Appl. No.: **29/488,853**

(22) Filed: **Apr. 24, 2014**

(30) **Foreign Application Priority Data**

Oct. 25, 2013 (EM) 002333468-0001

(51) **LOC (10) CL.** **26-06**

(52) **U.S. CL.**
USPC **D26/28**

(58) **Field of Classification Search**
USPC D26/28-36, 113, 118, 121, 138-140;
362/362, 364-366, 368-373, 459-463,
362/473-478, 485-487, 538, 539, 546-549
CPC B62J 6/02; B62J 6/04; B60Q 1/0047;
B60Q 1/18; B60Q 1/2696; B60Q 1/46;
F21S 48/1233; F21S 48/10; F21S 48/335;
F21S 48/00; F21S 48/1258

See application file for complete search history.

(56) **References Cited**

U.S. PATENT DOCUMENTS

D557,832 S * 12/2007 Higashikawa D26/28
D640,826 S * 6/2011 Beigel et al. D26/139
D660,481 S * 5/2012 Gotschke et al. D26/28
D672,067 S * 12/2012 Frenzel et al. D26/28
D708,366 S * 7/2014 Minamisawa et al. D26/28
D709,213 S * 7/2014 Futschik et al. D26/28
D717,974 S * 11/2014 Futschik et al. D26/28

D719,692 S * 12/2014 Yamaguchi D26/28
D720,870 S * 1/2015 Lim et al. D26/28
D728,133 S * 4/2015 Bieling et al. D26/28
D730,551 S * 5/2015 George et al. D26/28

OTHER PUBLICATIONS

“Mercedes-Benz Vans, World premiere of the new Mercedes-Benz V-Class,” Press Information, Mercedes-Benz, Jan. 30, 2014.

* cited by examiner

Primary Examiner — Cynthia Ramirez

Assistant Examiner — Llorelys Martinez-Rivera

(74) *Attorney, Agent, or Firm* — Crowell & Moring LLP

(57) **CLAIM**

The ornamental design for a headlight for a vehicle, as shown and described.

DESCRIPTION

This application contains subject matter related to the following co-pending U.S. design patent applications:

Application Ser. No. 29/488,854, filed herewith and entitled “Headlight for a Vehicle”; and

Application Ser. No. 29/488,855, filed herewith and entitled “Headlight for a Vehicle”.

FIG. 1 is a right perspective view of a first embodiment of a headlight for a vehicle according to the design;

FIG. 2 is a front view thereof;

FIG. 3 is a right side view thereof; and

FIG. 4 is a top view thereof.

FIG. 5 is a left perspective view of a second embodiment of the headlight for a vehicle according to the design;

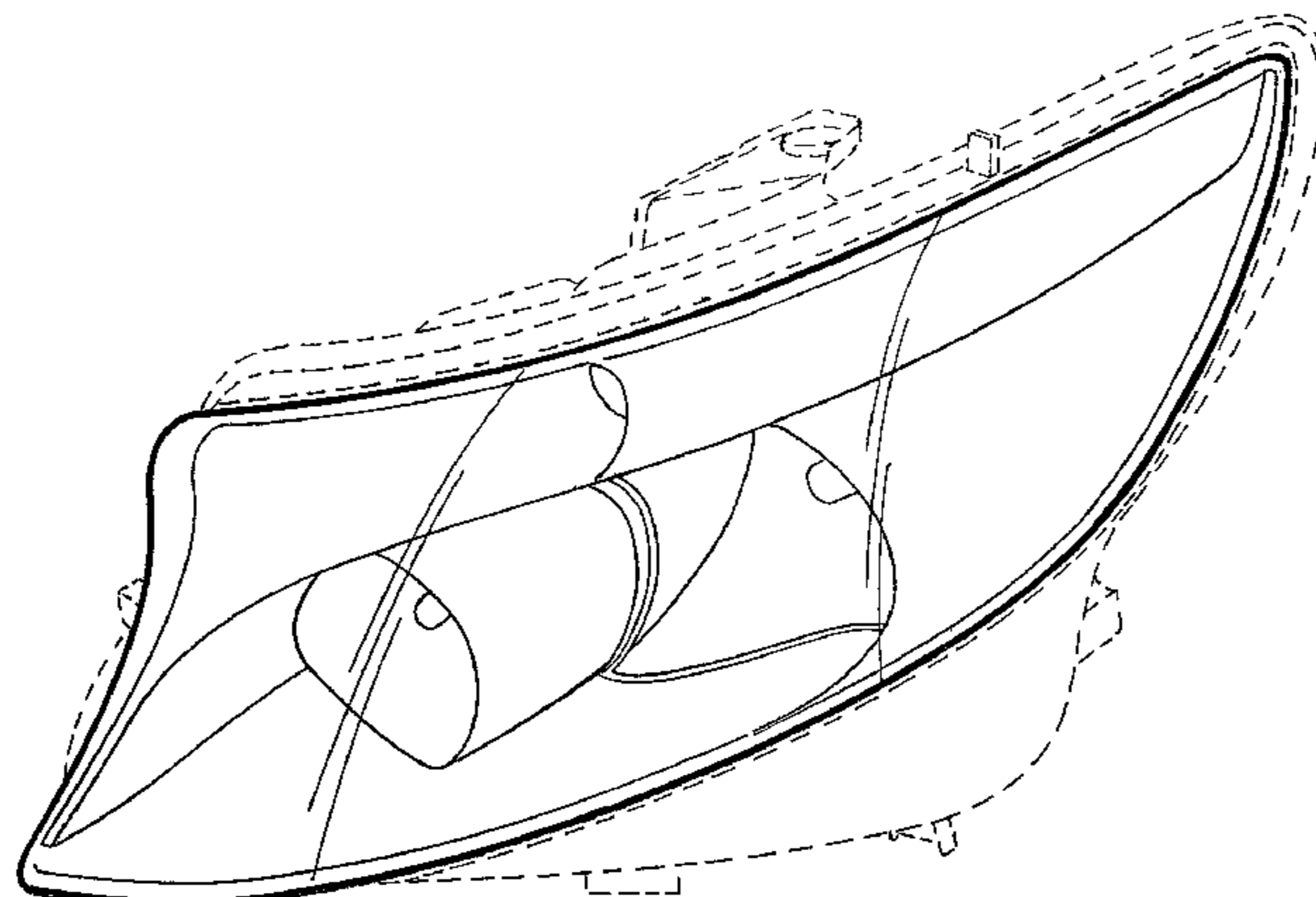
FIG. 6 is a front view thereof;

FIG. 7 is a left side view thereof; and,

FIG. 8 is a top view thereof.

The broken lines shown in the drawings illustrate environmental subject matter only and form no part of the claimed design. Also enclosed is a set of photographs of an embodiment of the design.

1 Claim, 4 Drawing Sheets



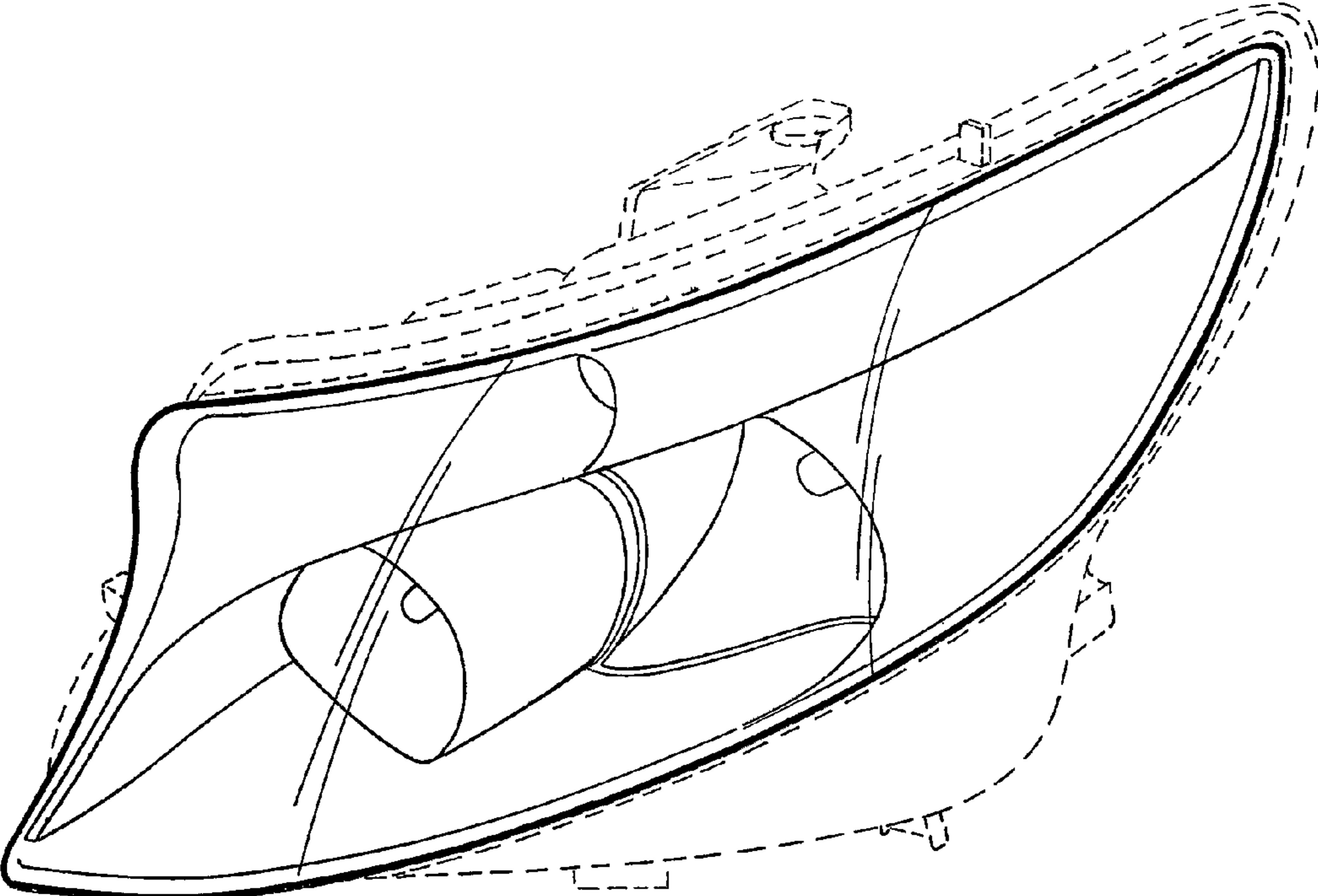


FIG. 1

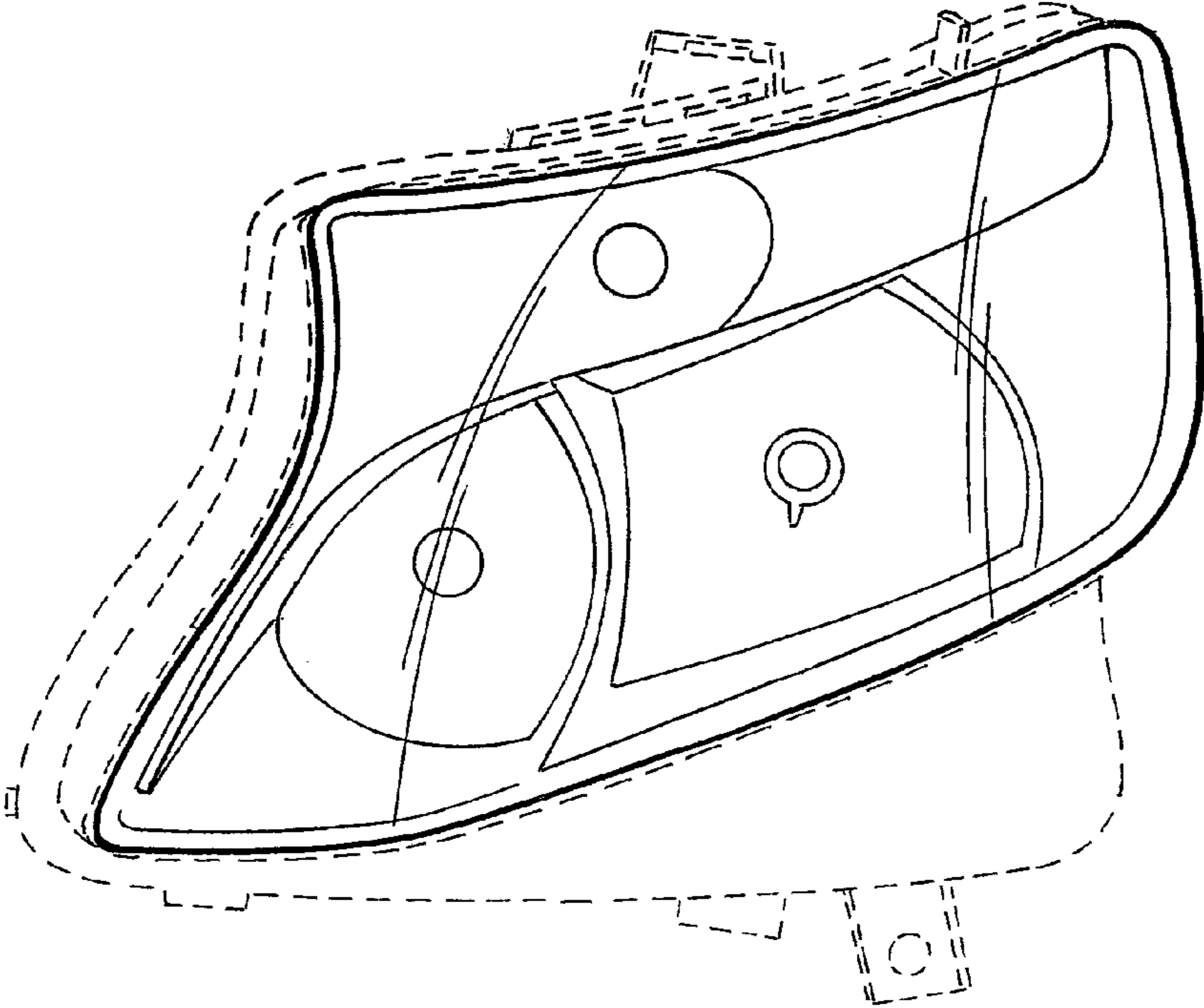


FIG. 2

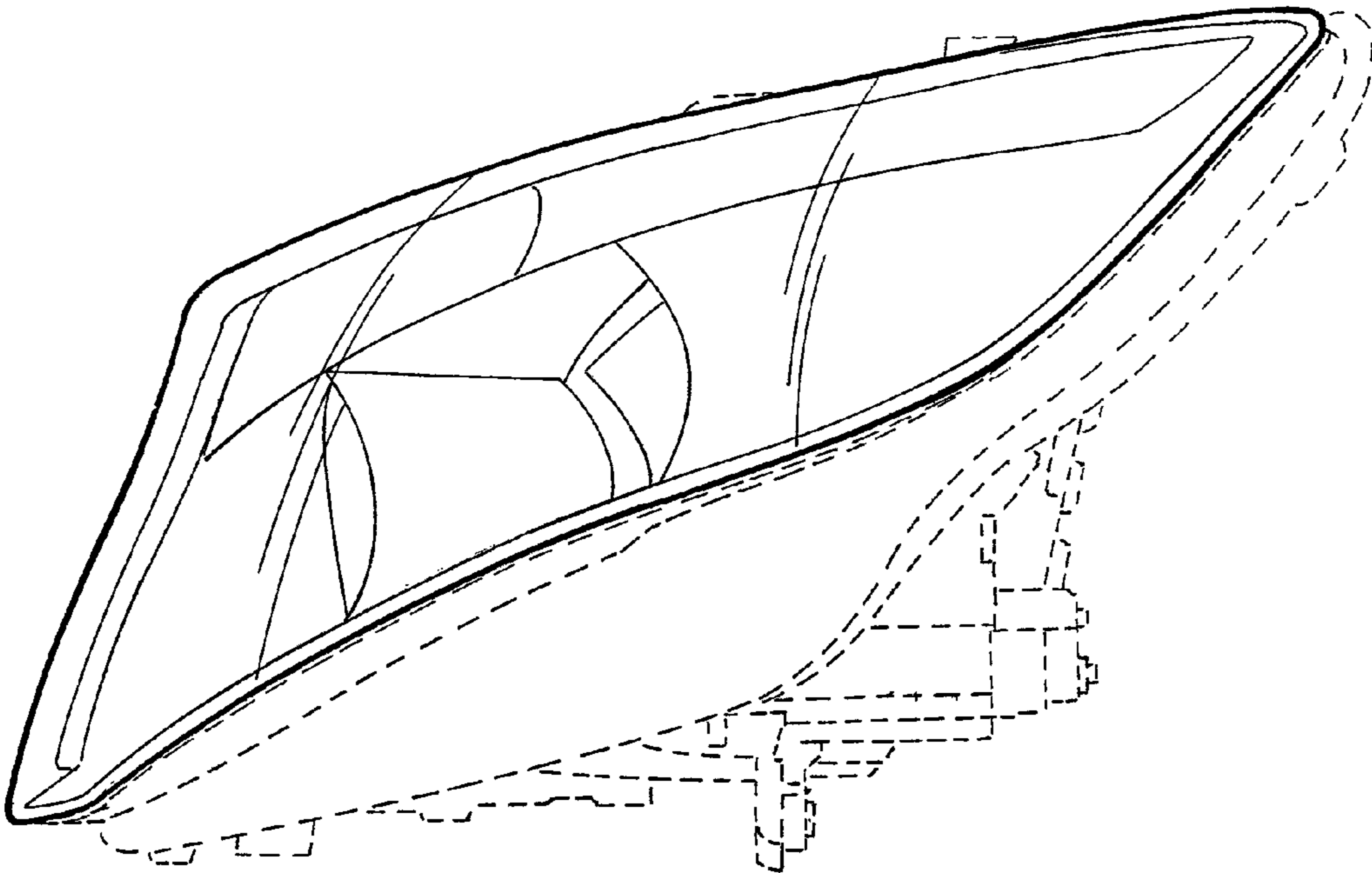


FIG. 3

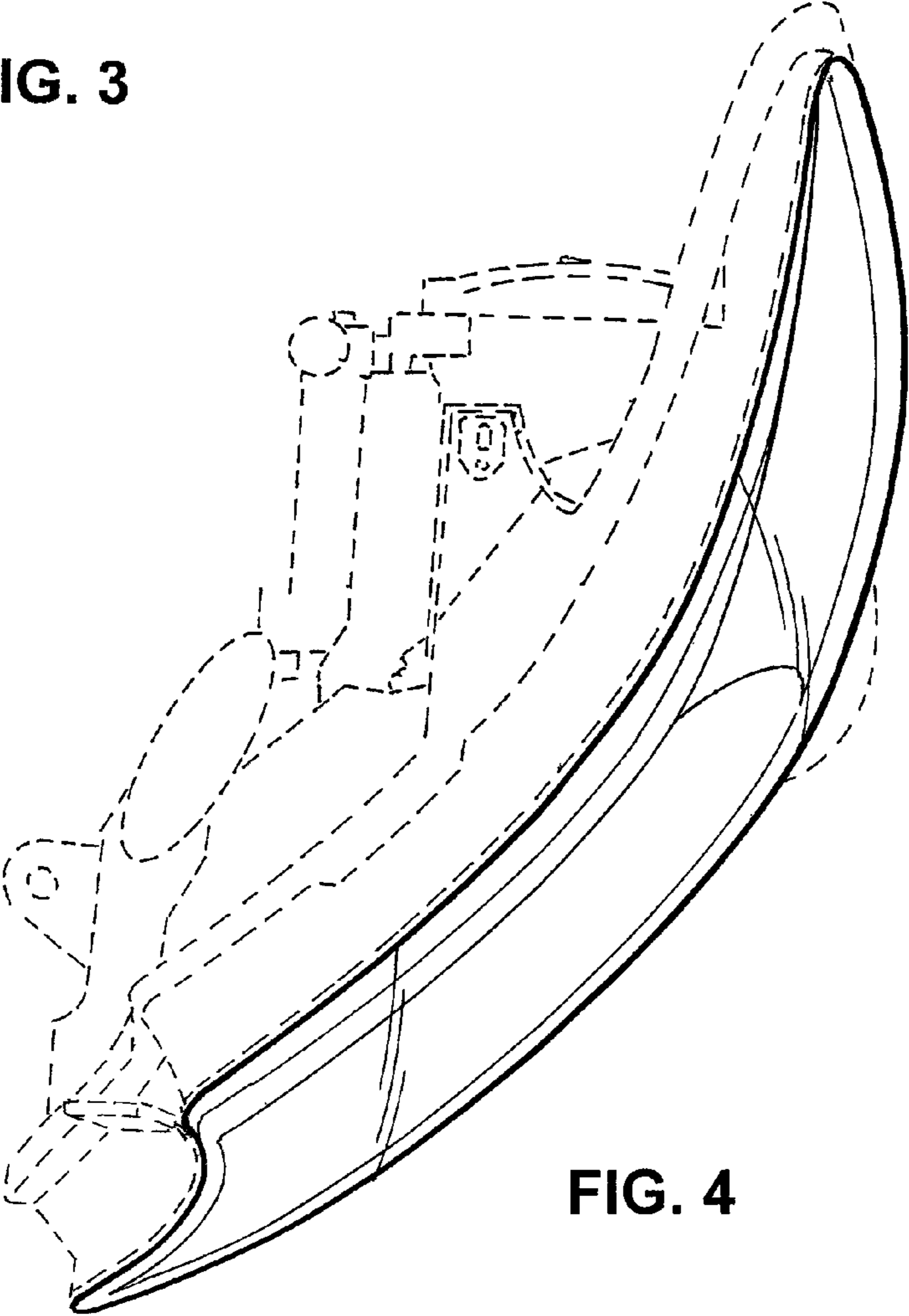


FIG. 4

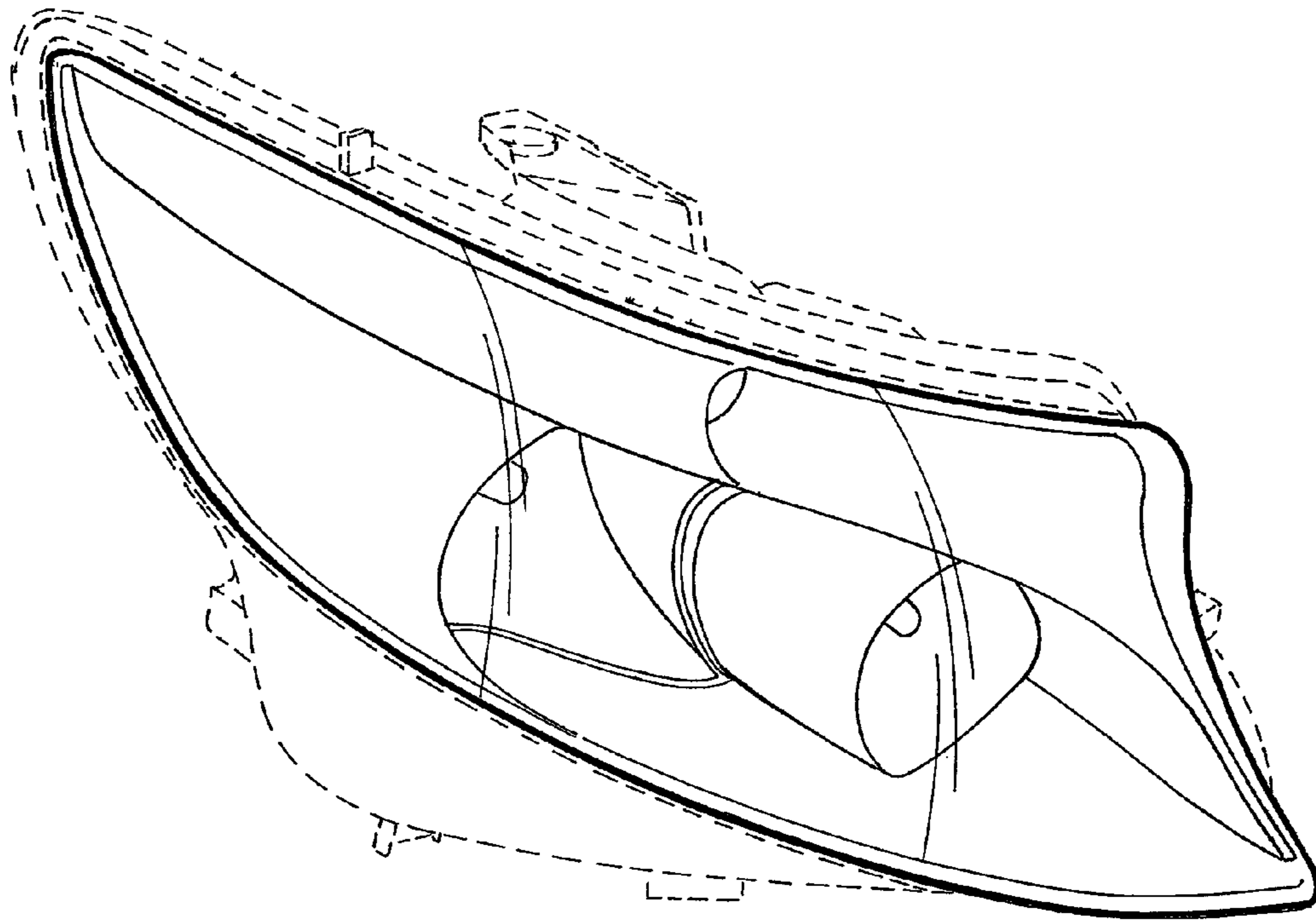


FIG. 5

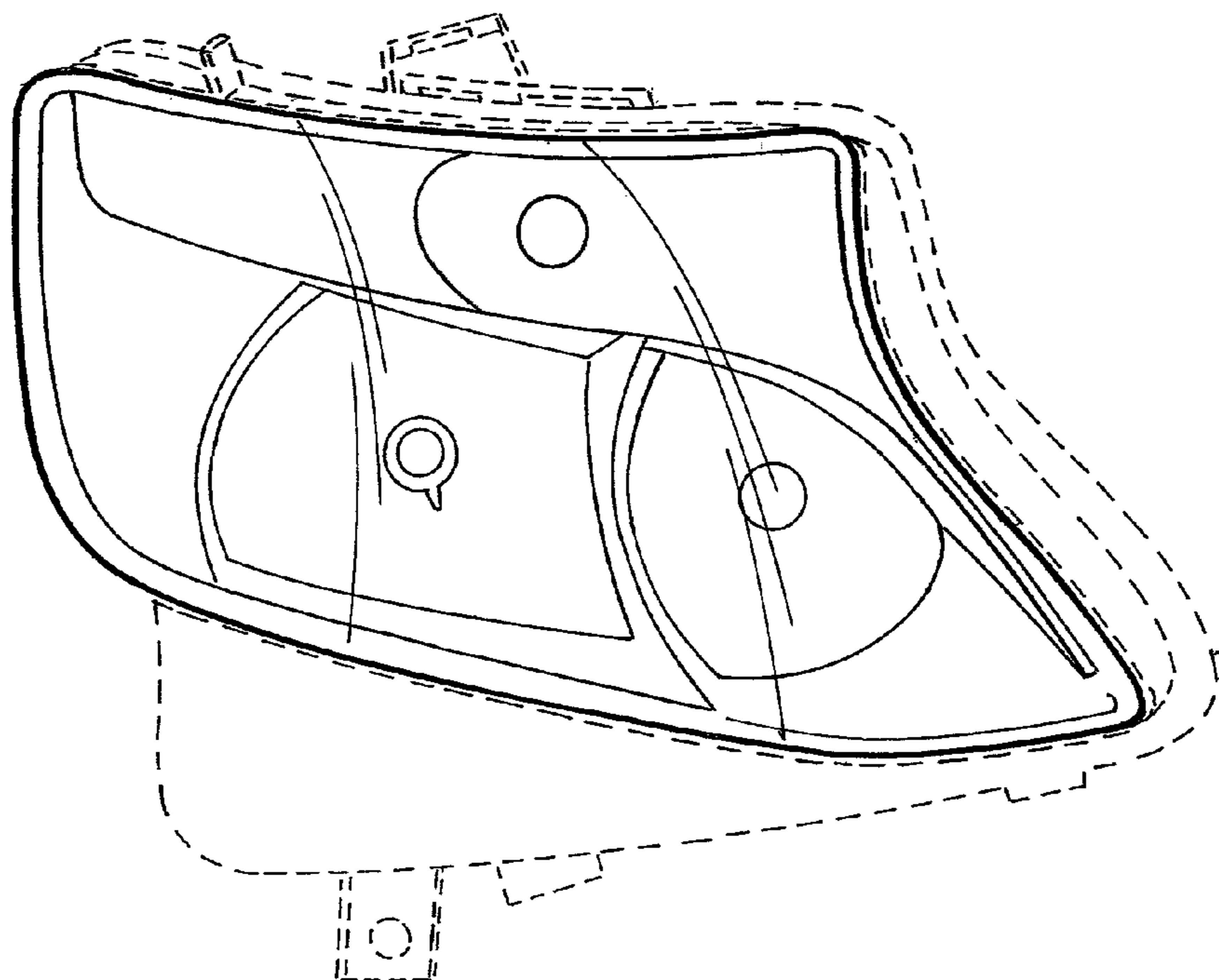


FIG. 6

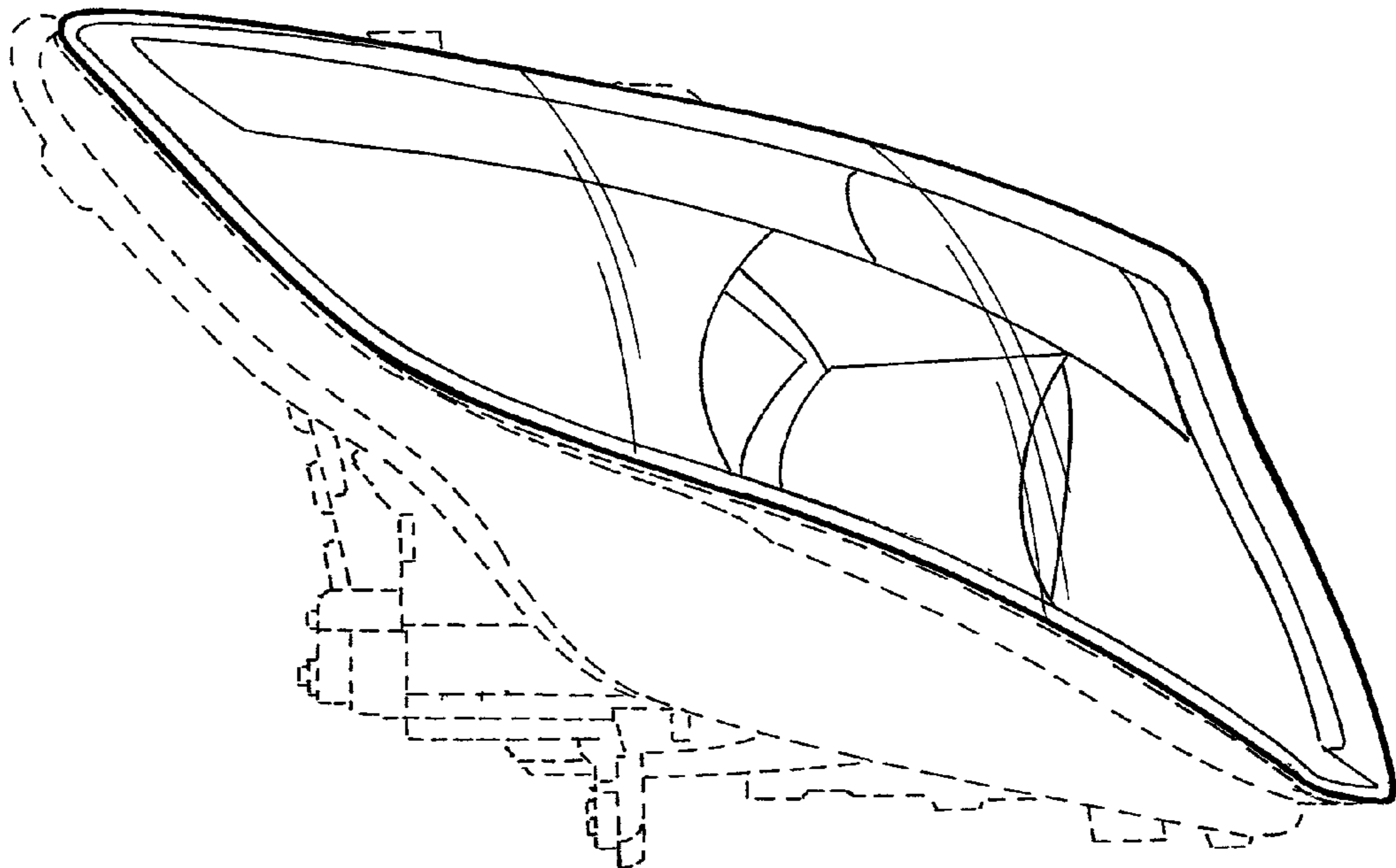


FIG. 7

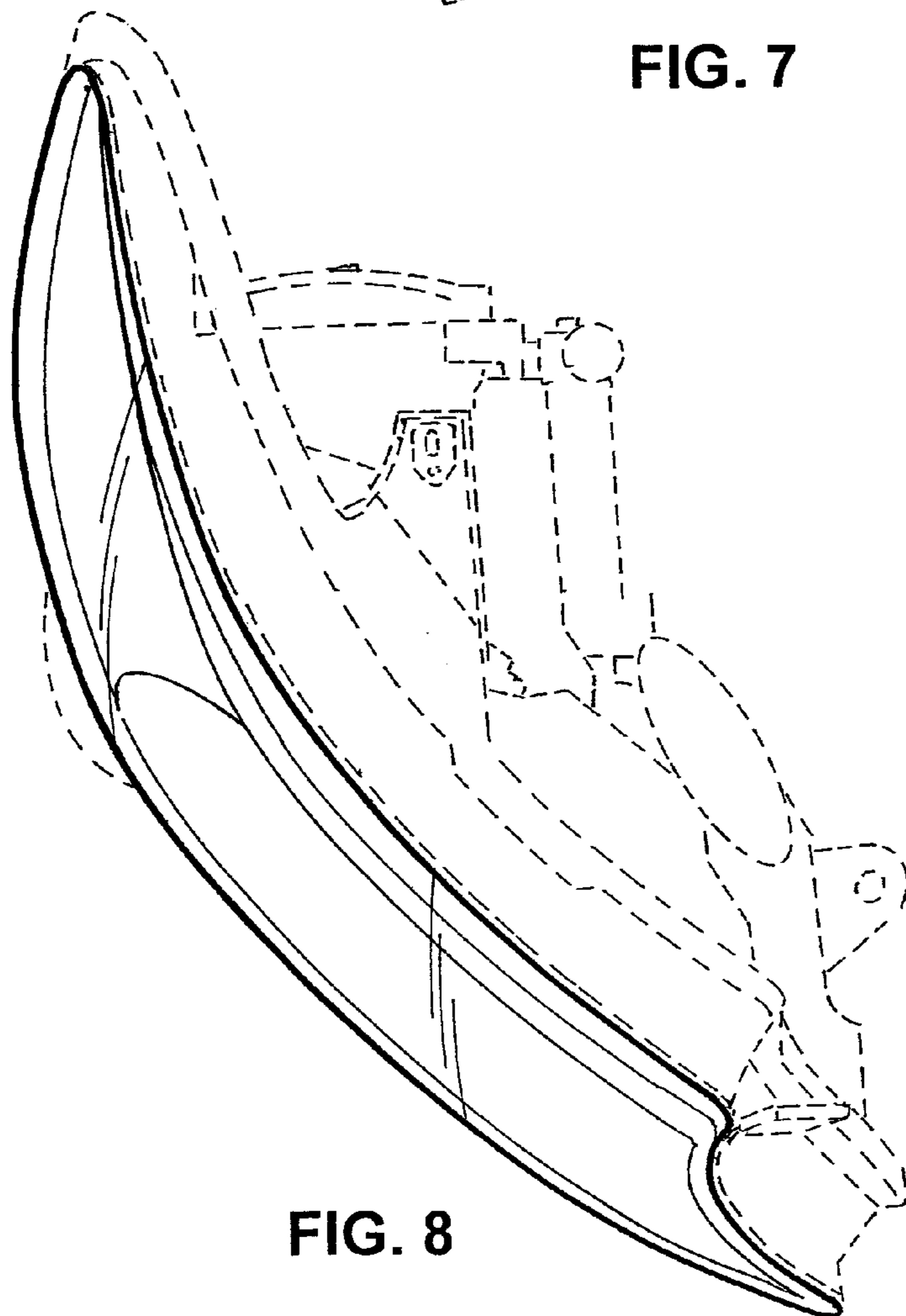


FIG. 8