



US00D738002S

(12) **United States Design Patent**
Lowry

(10) **Patent No.:** **US D738,002 S**
(45) **Date of Patent:** **** Sep. 1, 2015**

(54) **AUXILIARY VEHICLE LIGHT MOUNT**

(71) Applicant: **Terry W Lowry**, Batesville, AR (US)

(72) Inventor: **Terry W Lowry**, Batesville, AR (US)

(**) Term: **14 Years**

(21) Appl. No.: **29/457,546**

(22) Filed: **Jun. 11, 2013**

(51) **LOC (10) Cl.** **26-06**

(52) **U.S. Cl.**
USPC **D26/28**

(58) **Field of Classification Search**
USPC D26/28-36, 38, 43-44, 60; 362/459,
362/477-478, 485, 487, 427-428, 371
CPC .. B62J 6/00; B62J 2099/0033; B60Q 1/2661;
B60Q 1/2626; B60Q 1/044; B60Q 1/302;
B60Q 1/0483; F21V 15/01; F21V 21/30;
F21V 21/16; F21V 21/14; F21V 19/02;
F21V 14/02

See application file for complete search history.

(56) **References Cited**

U.S. PATENT DOCUMENTS

4,473,868 A 9/1984 Moore
4,703,398 A 10/1987 Huth
D365,162 S * 12/1995 Tsushi D26/28
6,260,990 B1 7/2001 Saunders

6,918,689 B2 7/2005 Schmidt
D640,402 S * 6/2011 Mitchell D26/60
8,371,730 B2 * 2/2013 Mitchell 362/477
D679,040 S * 3/2013 Cen et al. D26/28
2013/0322100 A1 * 12/2013 Lowry 362/427

* cited by examiner

Primary Examiner — Wan Laymon

(57) **CLAIM**

The ornamental design for an auxiliary vehicle light mount, as shown and described.

DESCRIPTION

FIG. 1 is a frontal isometric view showing the preferred embodiment of the auxiliary vehicle light mount, showing my new design;
FIG. 2 is a rear isometric view of the preferred embodiment;
FIG. 3 is a rear elevational view of the preferred embodiment, the front view comprising a mirror image;
FIG. 4 is a top plan view of the preferred embodiment;
FIG. 5 is a bottom plan view of the preferred embodiment;
FIG. 6 is a frontal isometric view of an alternative embodiment of an auxiliary vehicle light mount;
FIG. 7 is a rear isometric view of her alternative embodiment;
FIG. 8 is a front elevational view showing the alternative embodiment, the rear view comprising a mirror image;
FIG. 9 is a top plan view of the alternative embodiment; and,
FIG. 10 is a bottom plan view of the alternative embodiment.

1 Claim, 10 Drawing Sheets

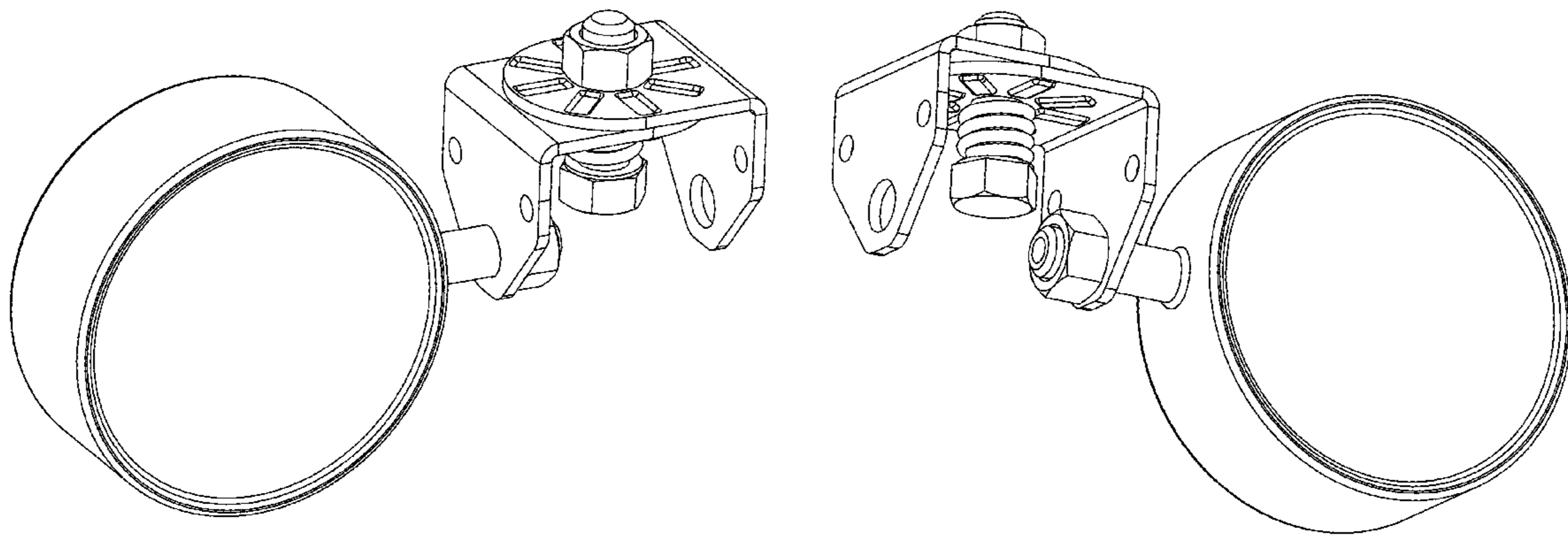


Fig. 1

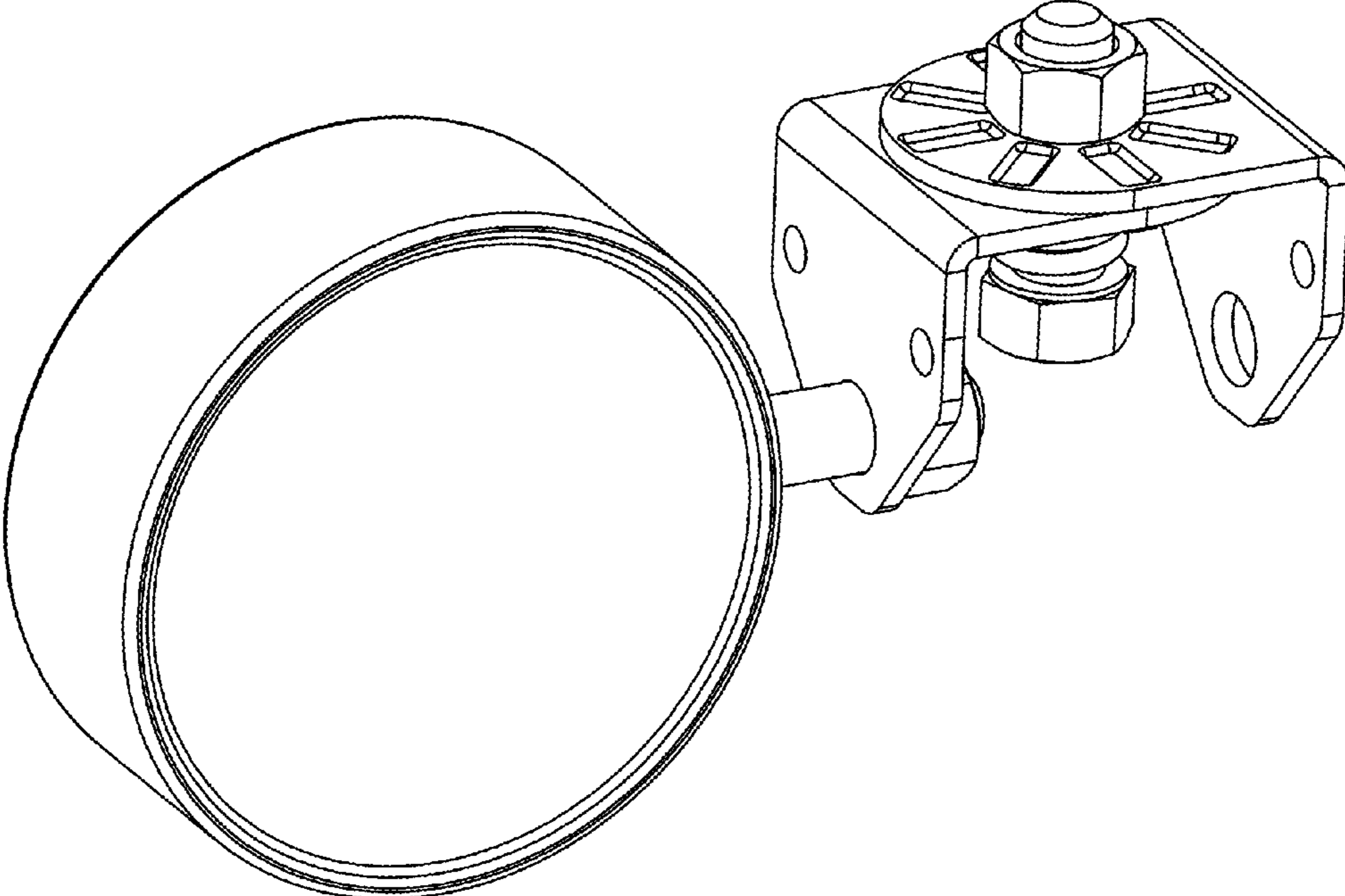


Fig. 2

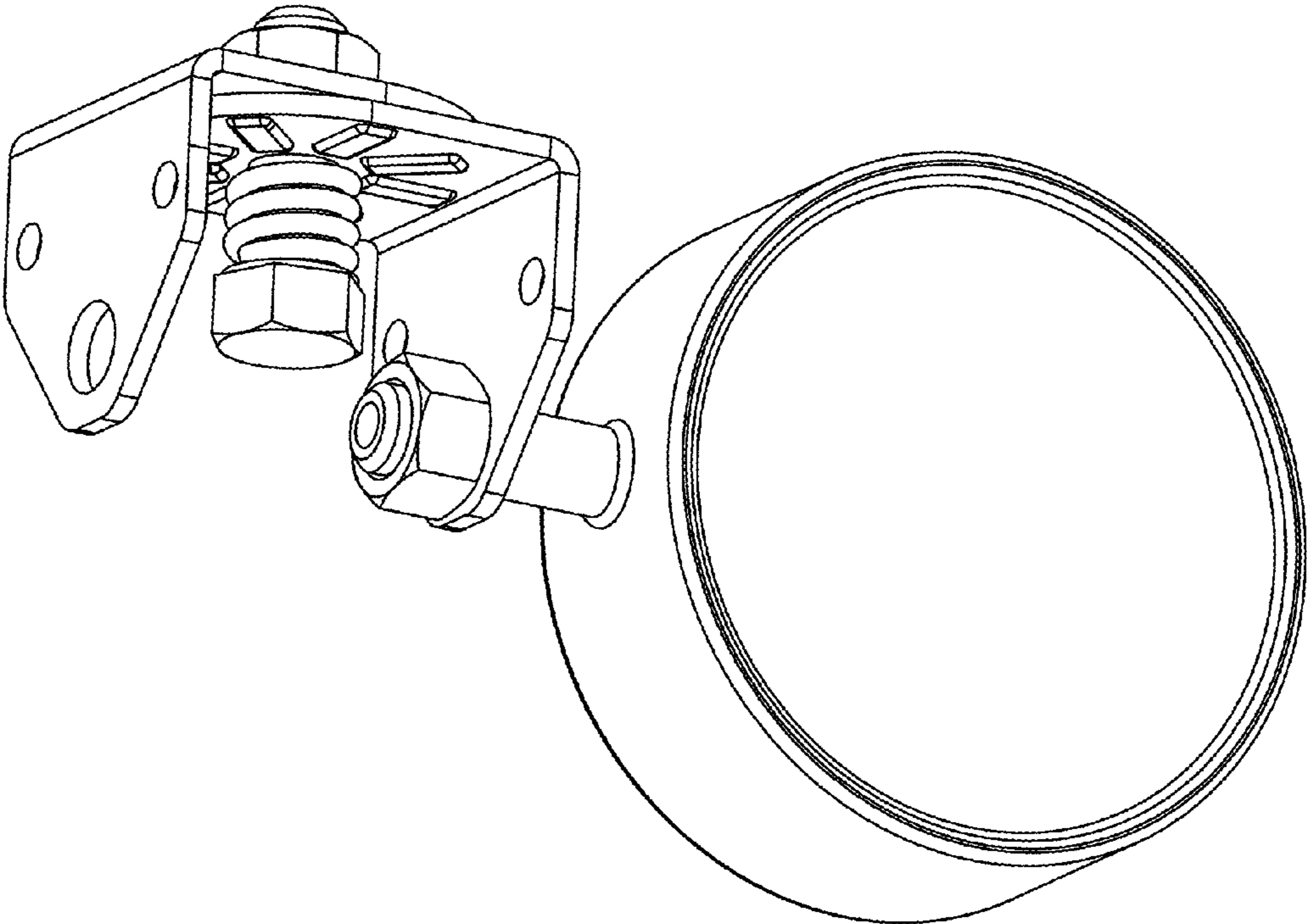


Fig. 3

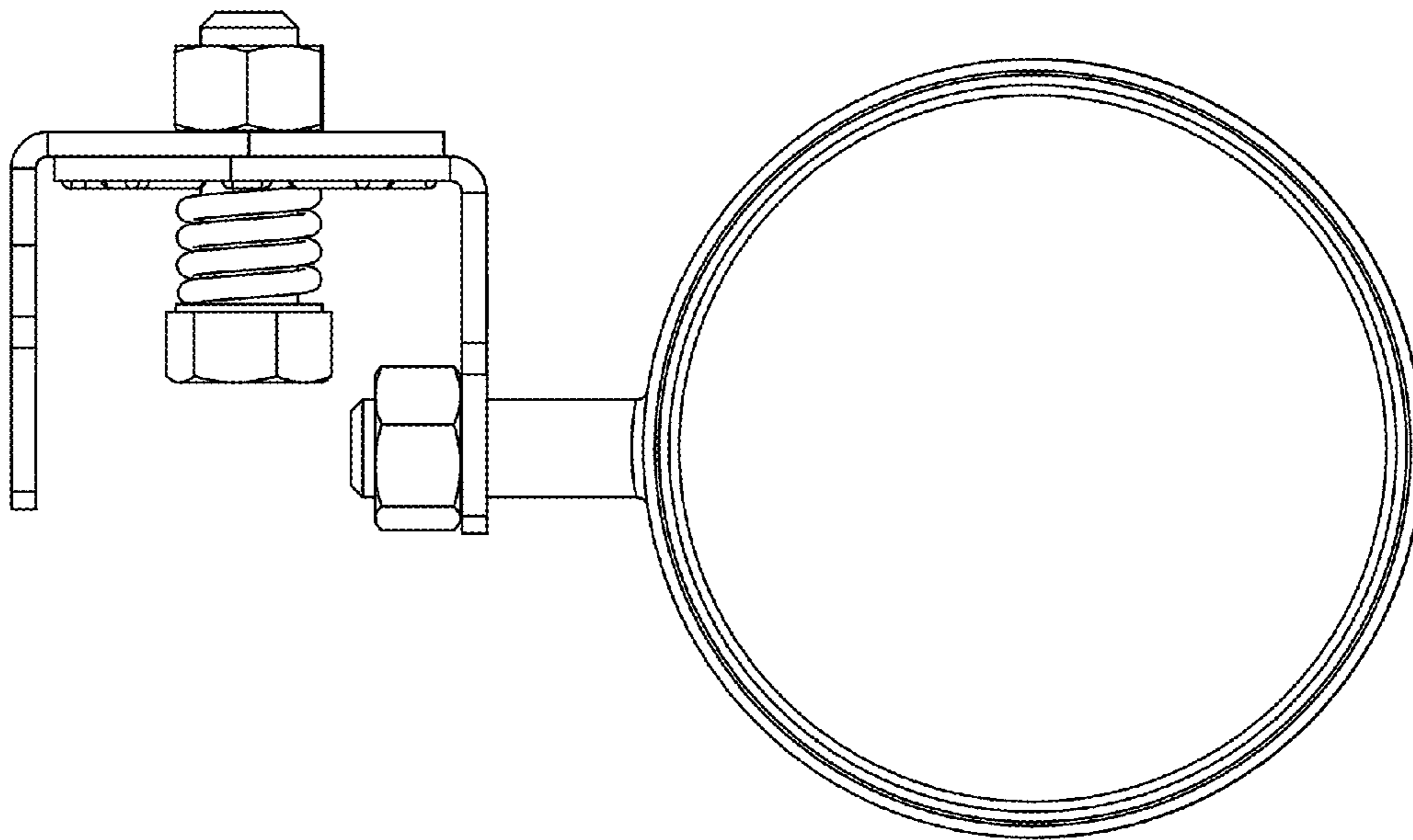


Fig. 4

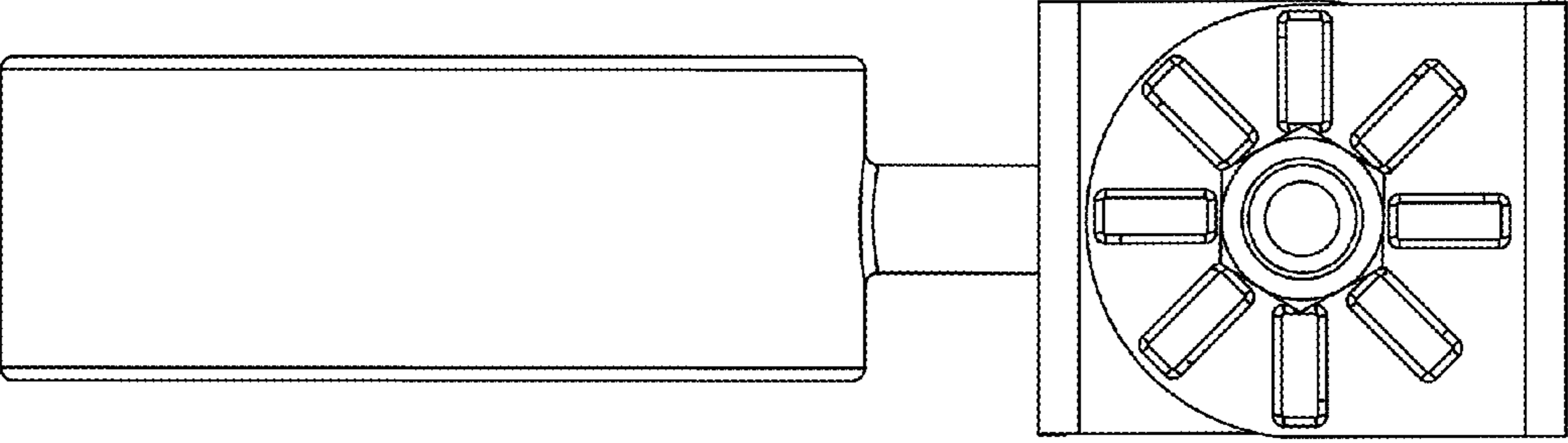


Fig. 5

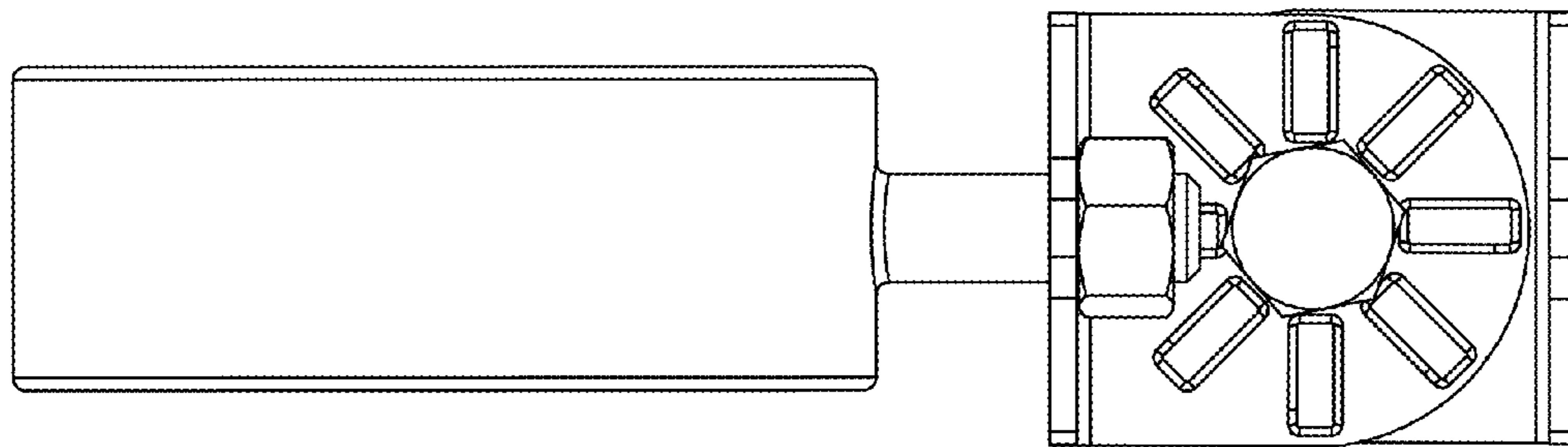


Fig. 6

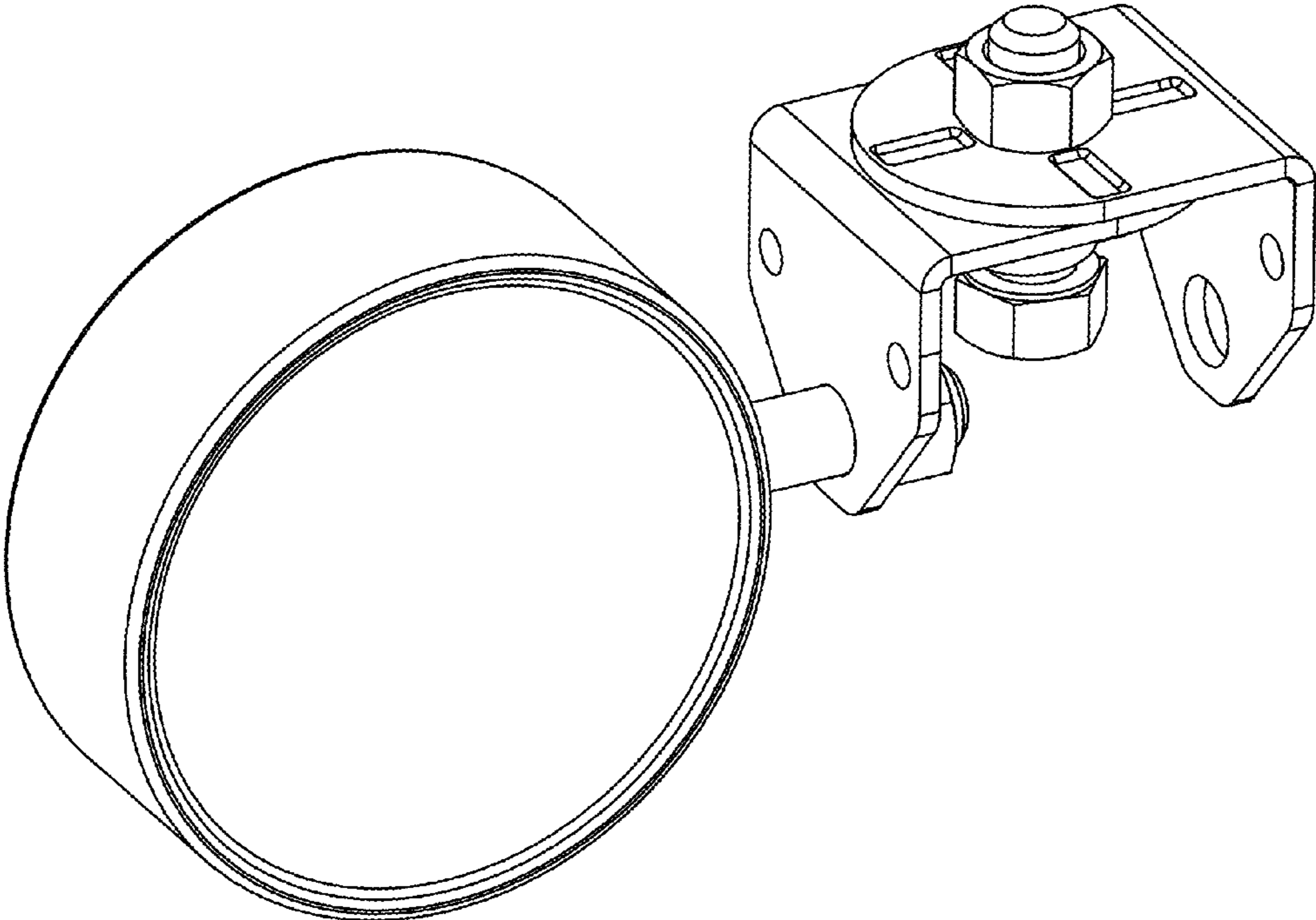


Fig. 7

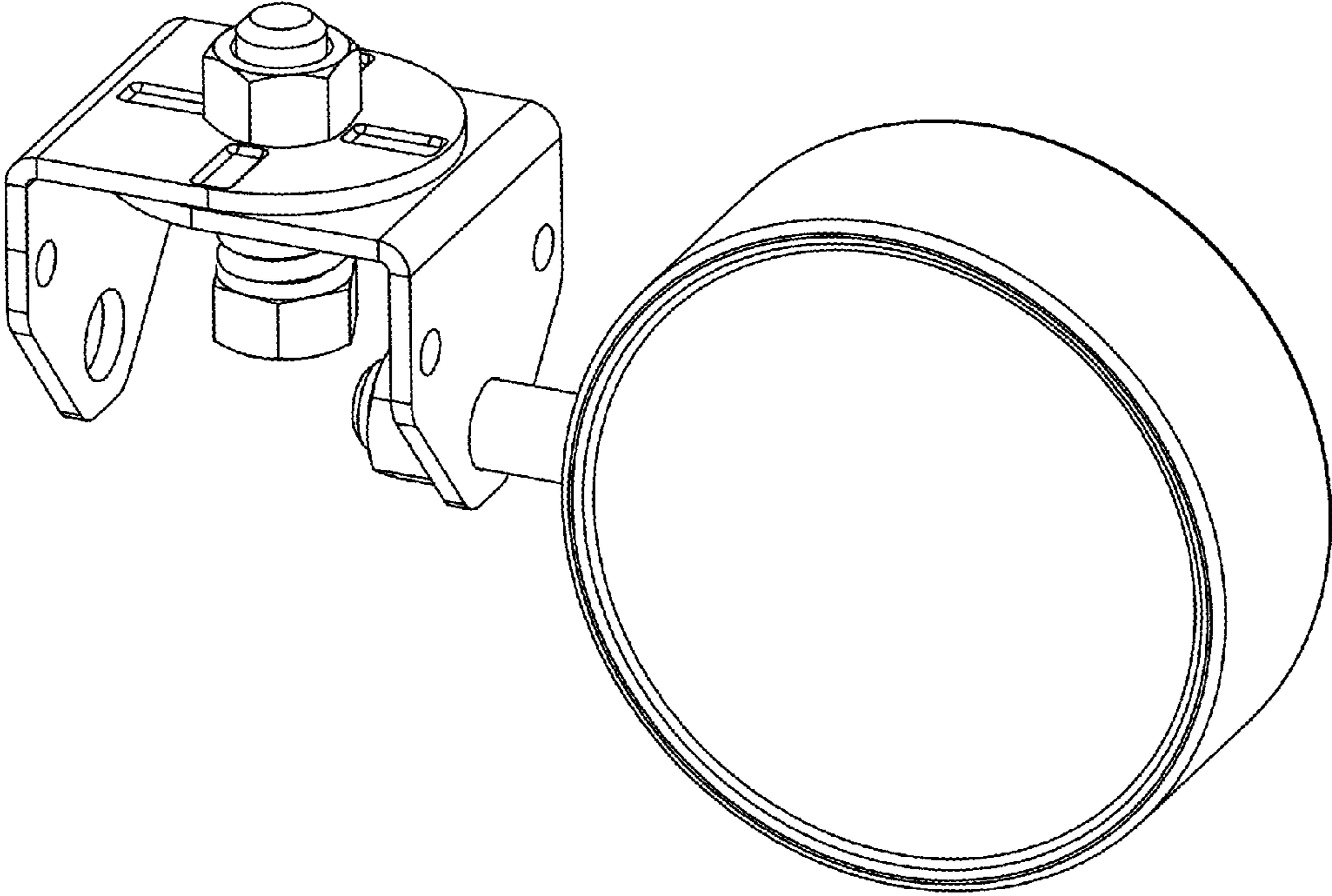


Fig. 8

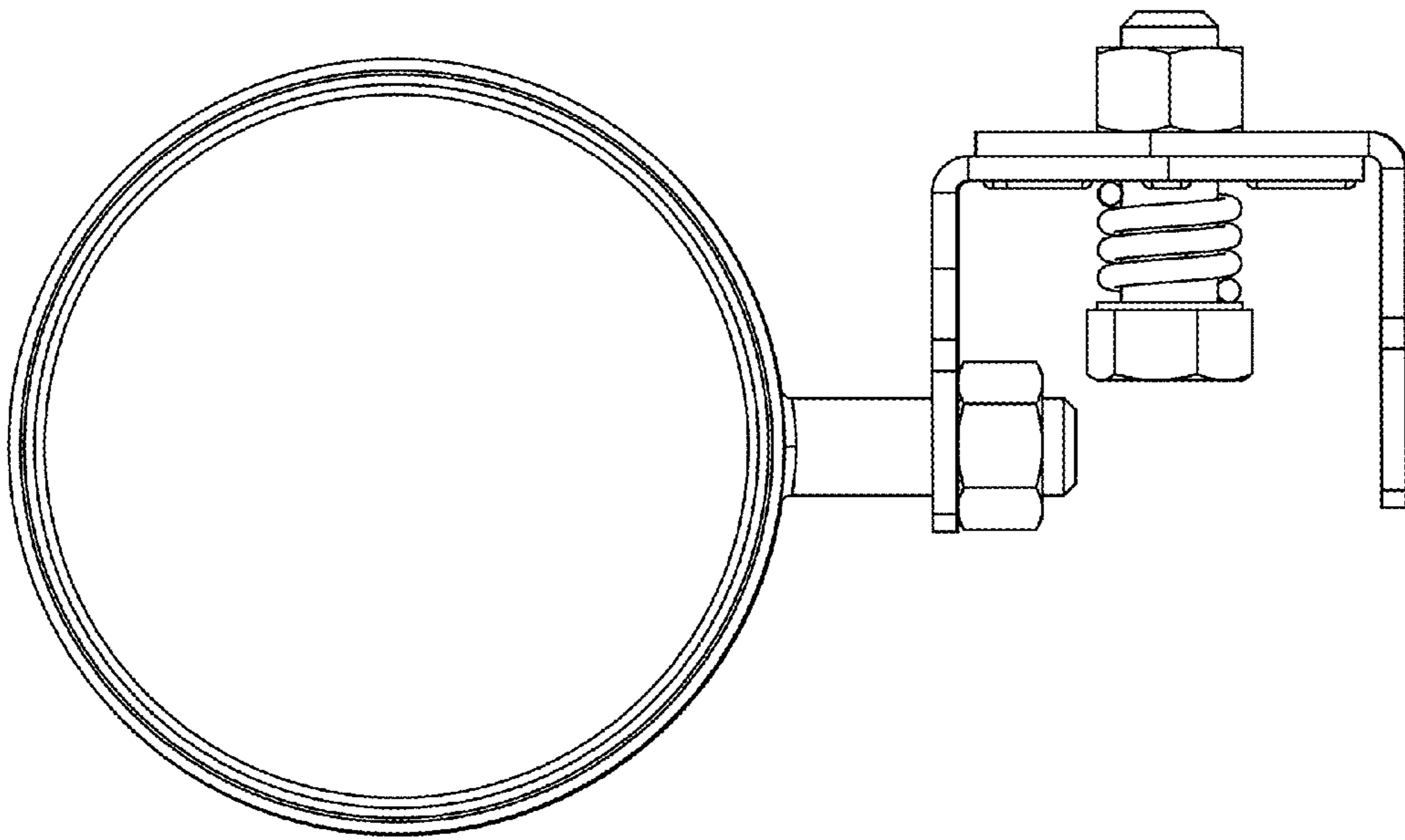


Fig. 9

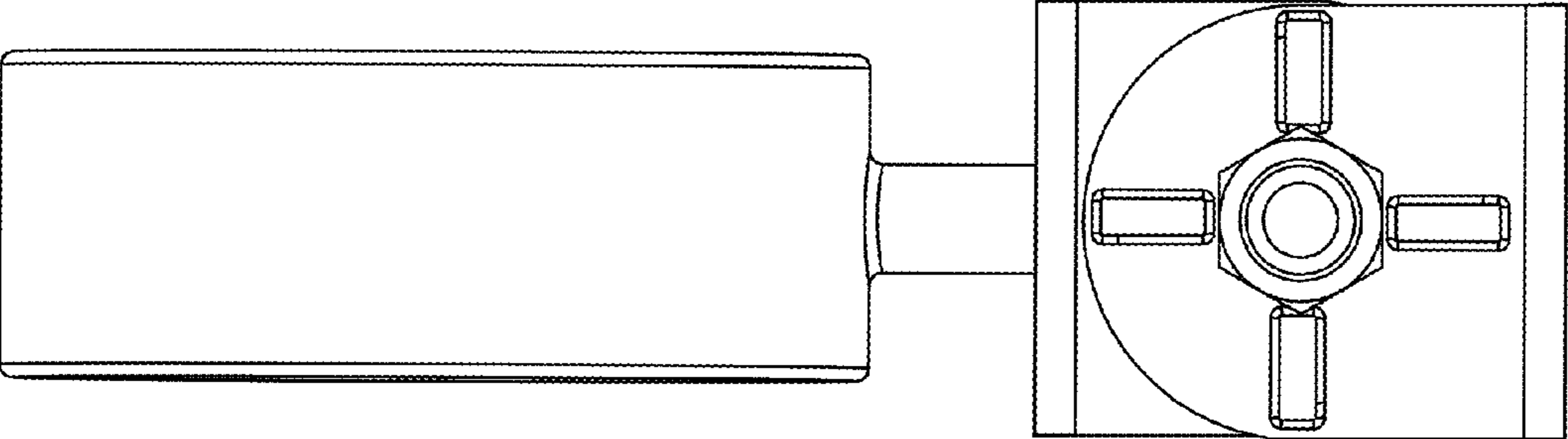


Fig. 10

