



US00D738000S

(12) **United States Design Patent**
Li et al.

(10) **Patent No.:** **US D738,000 S**
(45) **Date of Patent:** **** Sep. 1, 2015**

(54) **LED PAR LAMP**

(56) **References Cited**

(71) Applicant: **KONINKLIJKE PHILIPS N.V.**,
Eindhoven (NL)
(72) Inventors: **Lin Nan Li**, Shanghai (CN); **Qi Lin**,
Shanghai (CN); **Hao Jiang**, Shanghai
(CN)
(73) Assignee: **KONINKLIJKE PHILIPS N.V.**,
Eindhoven (NL)

U.S. PATENT DOCUMENTS

D646,406	S	*	10/2011	Tsai et al.	D26/2
D667,969	S	*	9/2012	Rioux et al.	D26/2
D698,050	S	*	1/2014	Jiang et al.	D26/2
D698,051	S	*	1/2014	Jiang et al.	D26/2
D705,456	S	*	5/2014	Yan	D26/2
2012/0243240	A1	*	9/2012	Hashimoto et al.	362/368
2013/0039070	A1	*	2/2013	Mathieu	362/294
2015/0062897	A1	*	3/2015	Treurniet et al.	362/235

(**) Term: **14 Years**

* cited by examiner

(21) Appl. No.: **29/481,819**

Primary Examiner — Ian Simmons

(22) Filed: **Feb. 11, 2014**

Assistant Examiner — Harold Blackwell, II

(30) **Foreign Application Priority Data**

(57) **CLAIM**

The ornamental design for a LED par lamp, as shown.

Aug. 15, 2013 (EM) 002292276-0001

(51) **LOC (10) Cl.** **26-04**

(52) **U.S. Cl.**
USPC **D26/2**

(58) **Field of Classification Search**
USPC D26/1-4; 313/313, 315, 316, 317, 318,
313/493; 315/52, 53, 56, 57, 58; 362/235,
362/294, 294.02, 368

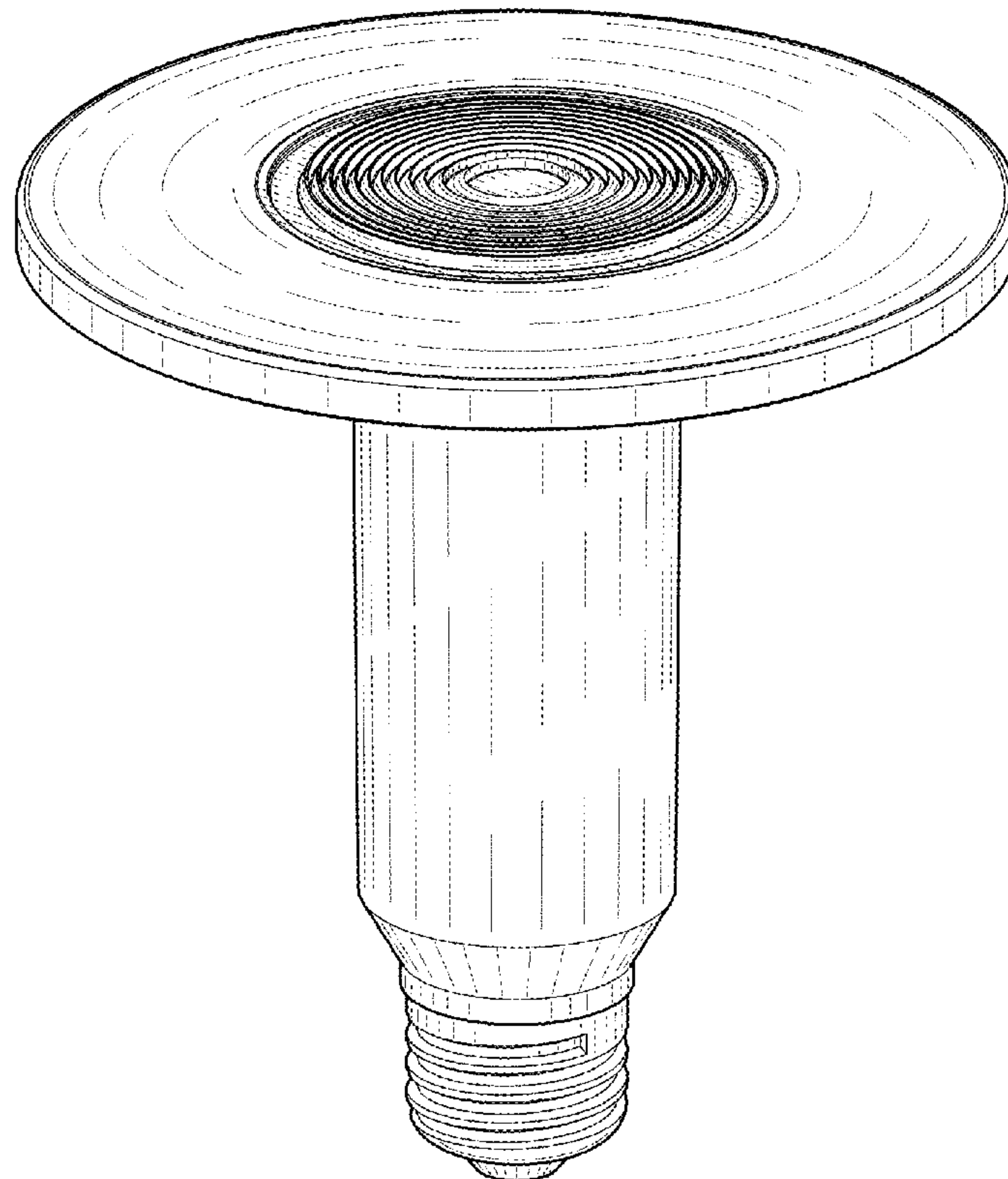
CPC F21Y 2101/02; B60Q 1/0064

See application file for complete search history.

DESCRIPTION

FIG. 1 is a perspective view showing my design;
FIG. 2 is a front elevational view thereof;
FIG. 3 is a rear elevational view thereof;
FIG. 4 is a right side elevational view thereof;
FIG. 5 is a left side elevational view thereof;
FIG. 6 is a top plan view thereof; and,
FIG. 7 is a bottom plan view thereof.

1 Claim, 7 Drawing Sheets



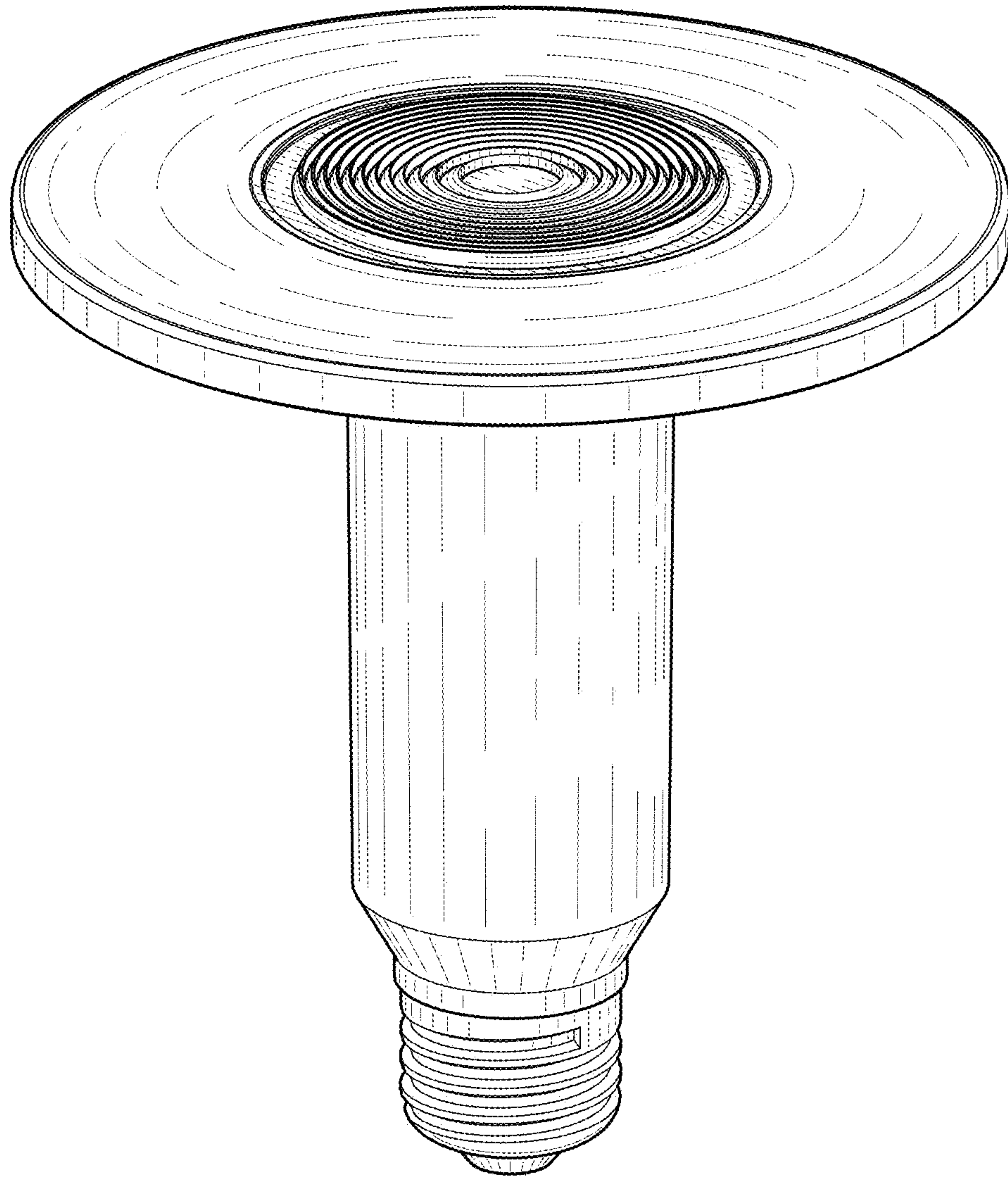


FIG. 1

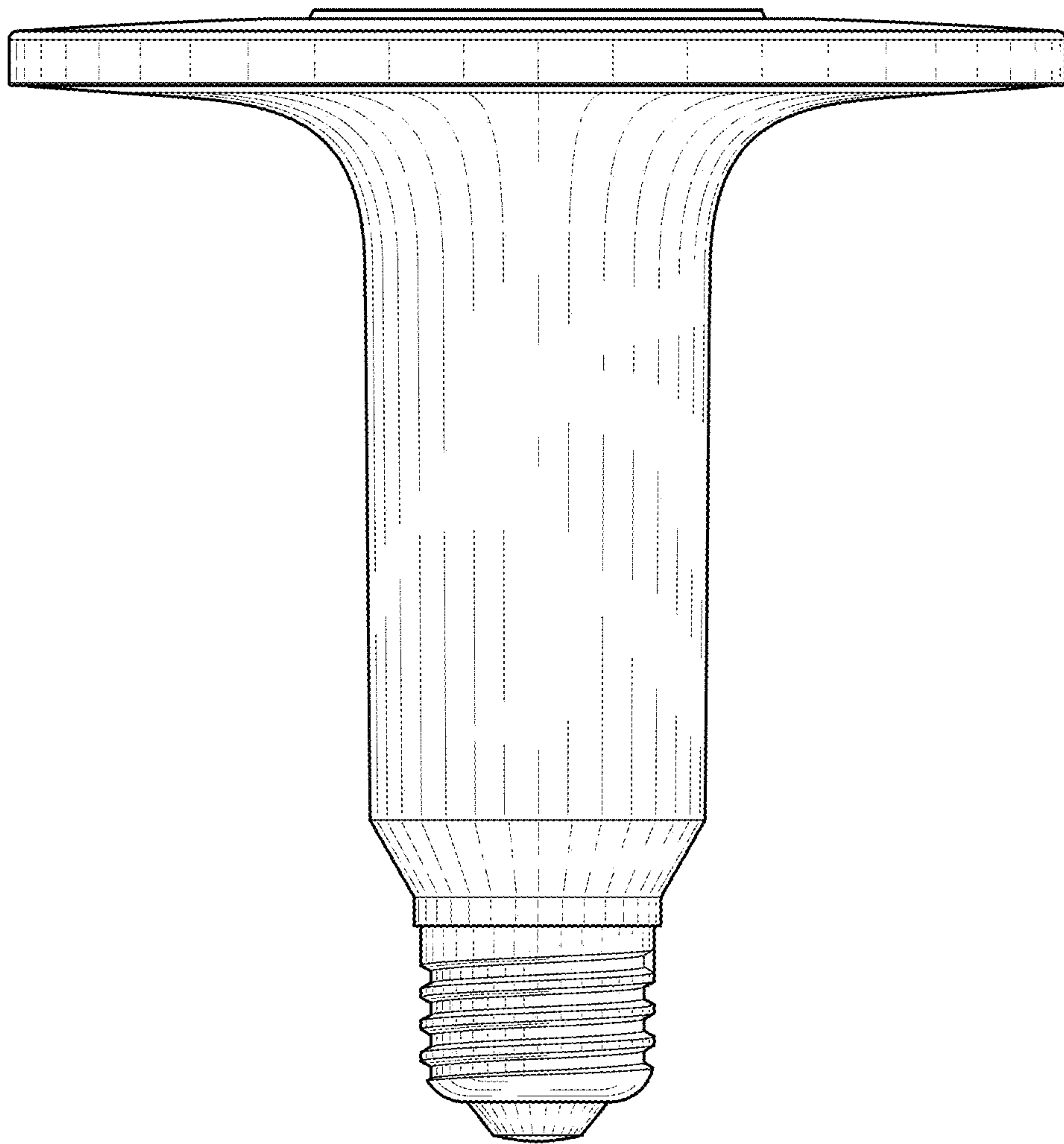


FIG. 2

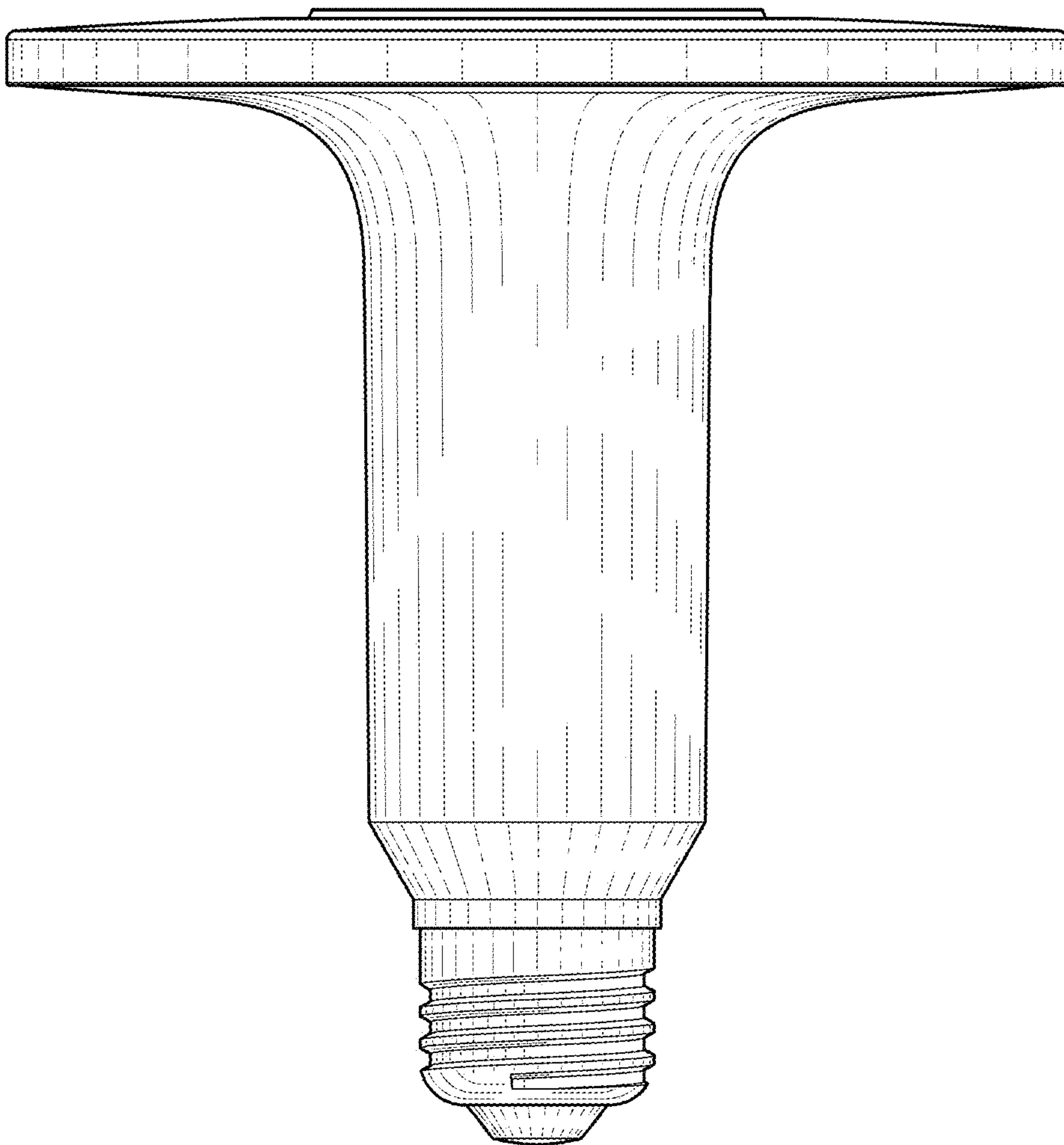


FIG. 3

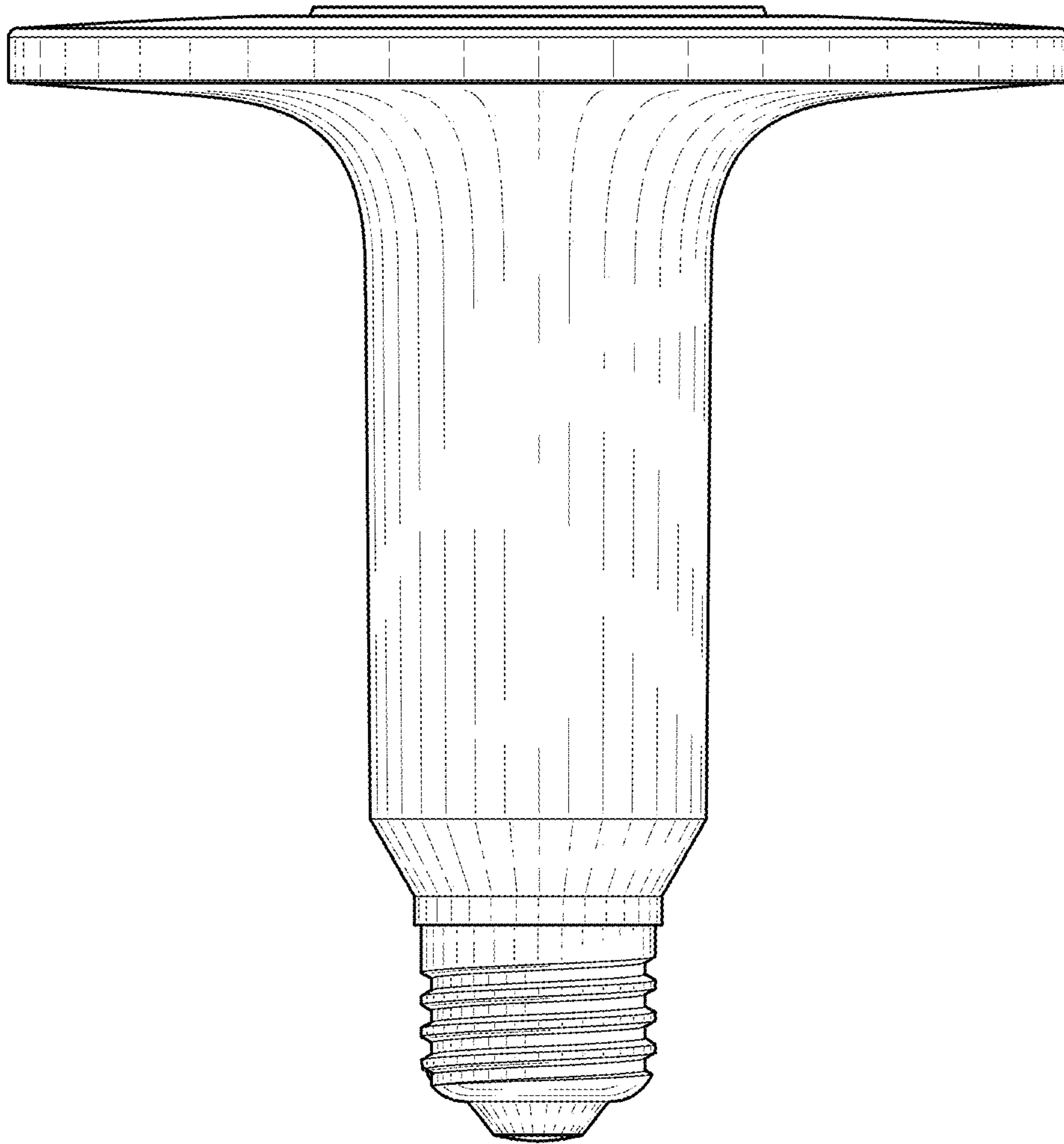


FIG. 4

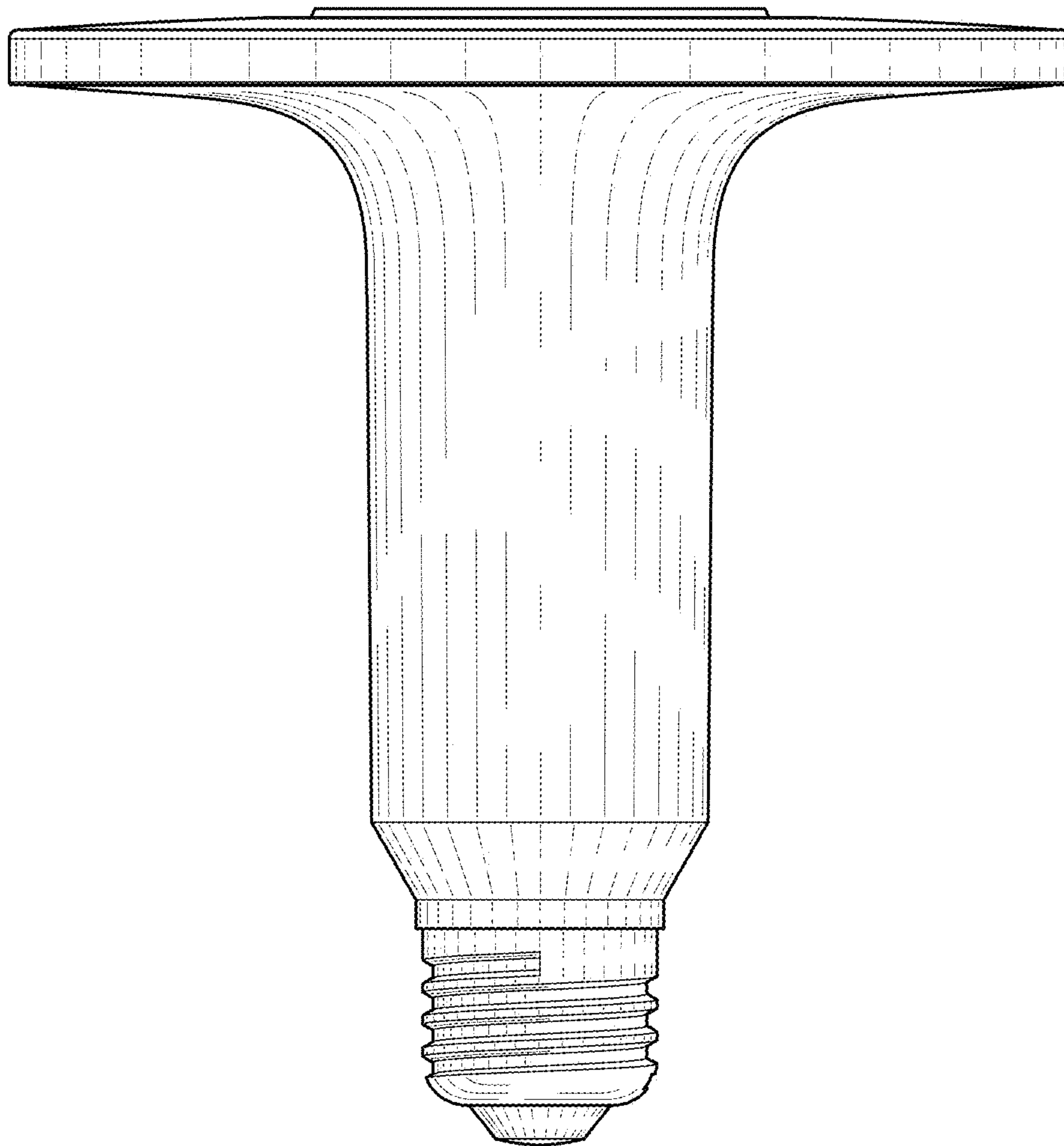


FIG. 5

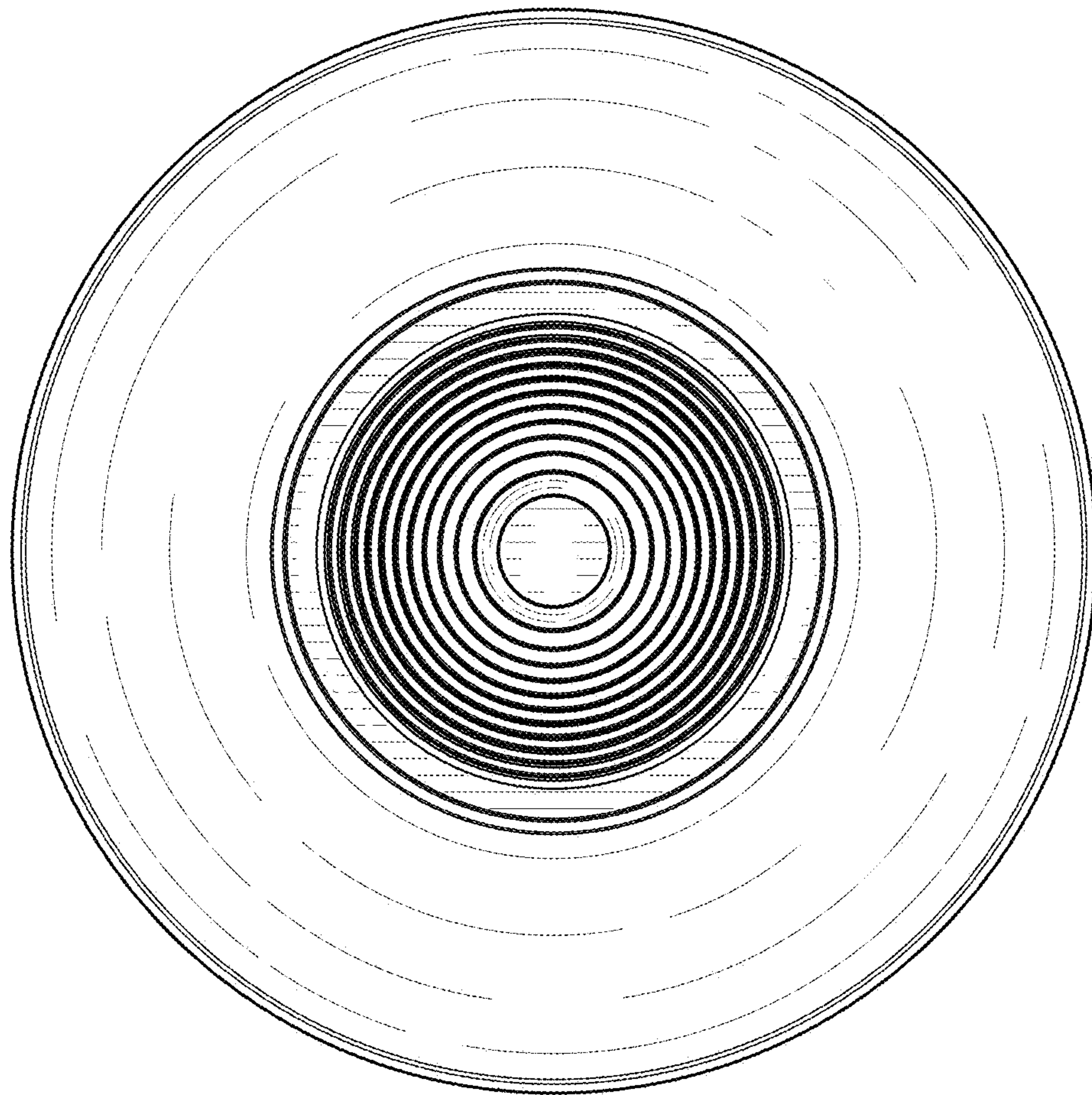


FIG. 6

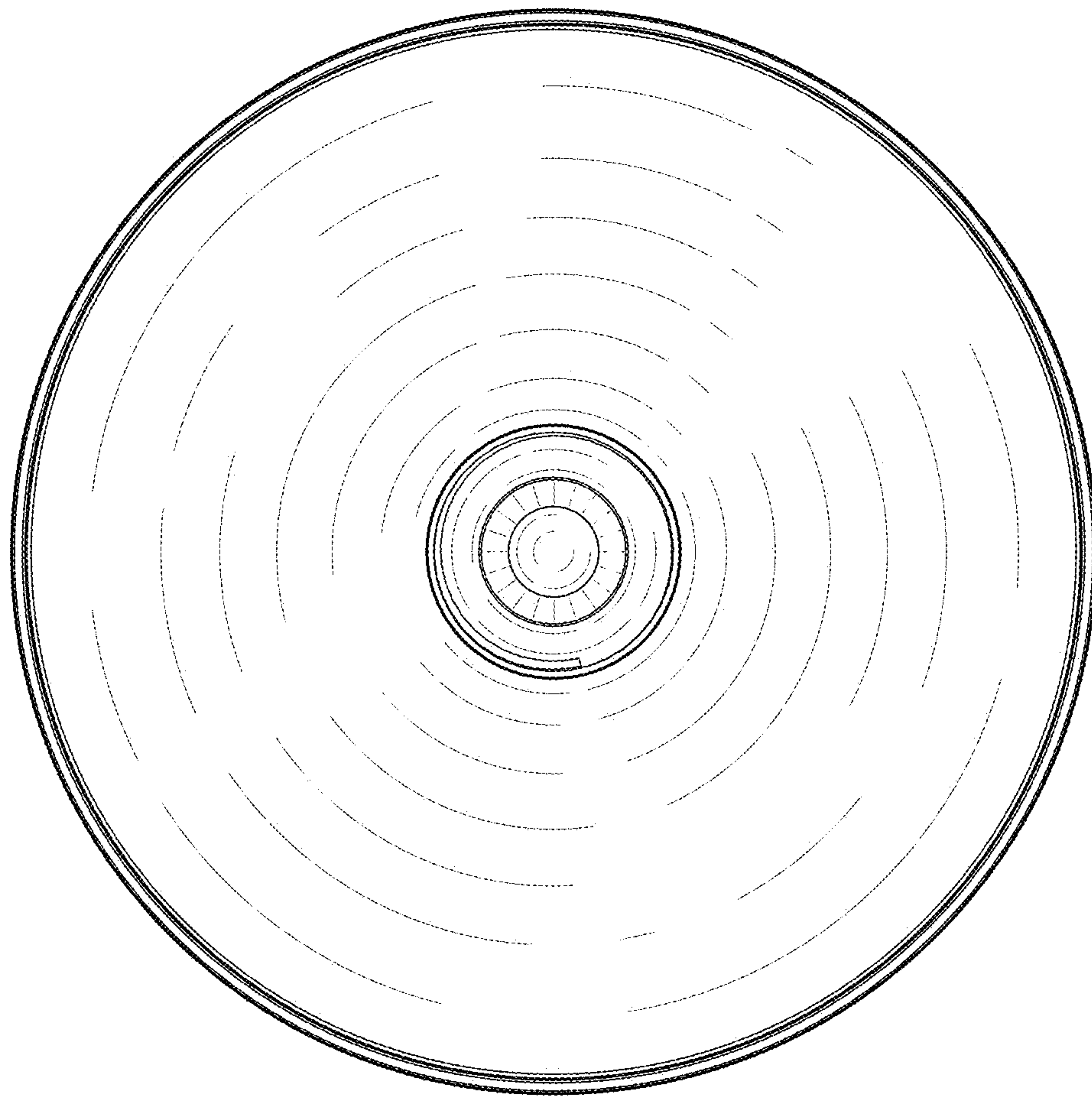


FIG. 7