



US00D737999S

(12) **United States Design Patent**
Koebbe

(10) **Patent No.:** **US D737,999 S**
(45) **Date of Patent:** **** Sep. 1, 2015**

(54) **CROSS SUPPORT GRID MEMBER FOR A
SUSPENDED CEILING**

(71) Applicant: **Eger Products, Inc.**, Amelia, OH (US)

(72) Inventor: **Richard R. Koebbe**, Amelia, OH (US)

(73) Assignee: **Eger Products, Inc.**, Amelia, OH (US)

(**) Term: **14 Years**

(21) Appl. No.: **29/463,532**

(22) Filed: **Dec. 23, 2013**

(51) **LOC (10) Cl.** **25-01**

(52) **U.S. Cl.**
USPC **D25/164**

(58) **Field of Classification Search**
USPC D5/1, 2, 3, 44, 58, 60, 99; D6/332;
D25/58, 113, 114, 115, 136, 138, 139,
D25/140-144, 153, 156, 157, 159, 163, 164,
D25/199
CPC E04B 9/006; E04B 9/064; E04B 9/067;
E04B 9/068; E04B 9/06; E04B 9/12; E04B
9/14; E04B 9/18; E04B 9/36; E04B 9/122;
E04B 9/127; E04B 9/423; E04C 2/32; E04C
5/04

See application file for complete search history.

(56) **References Cited**

U.S. PATENT DOCUMENTS

2,873,828	A	2/1959	Zitomer	
2,946,414	A	7/1960	Gordon et al.	
3,096,862	A	7/1963	Purdy	
3,142,367	A *	7/1964	Brown et al.	52/506.07
3,175,655	A *	3/1965	Brown et al.	52/232
3,378,976	A *	4/1968	Meredith, Jr.	52/506.07
3,584,904	A	6/1971	Lickliter et al.	
3,675,957	A	7/1972	Lickliter et al.	

4,499,697	A *	2/1985	LaLonde	52/98
4,548,013	A	10/1985	Reina Briceno	
5,394,669	A	3/1995	Hallett et al.	
6,851,238	B2	2/2005	Rebman	
7,392,629	B1 *	7/2008	Bankston et al.	52/506.07
7,490,446	B1 *	2/2009	Chuang	52/664
D632,552	S *	2/2011	Jostad	D8/382
8,117,793	B2 *	2/2012	Jankovec et al.	52/506.07
D678,549	S	3/2013	Lehane, Jr. et al.	
8,955,273	B1 *	2/2015	Lehane et al.	52/220.6
2007/0266674	A1 *	11/2007	Morey	52/783.11
2009/0165417	A1 *	7/2009	Jankovec et al.	52/506.07
2012/0291388	A1 *	11/2012	Lehane et al.	52/506.07
2013/0205689	A1 *	8/2013	Lillette et al.	52/167.1
2015/0040495	A1 *	2/2015	Lehane et al.	52/220.6

* cited by examiner

Primary Examiner — Karen S Acker

Assistant Examiner — Amy Wierenga

(74) *Attorney, Agent, or Firm* — Jacox, Meckstroth & Jenkins

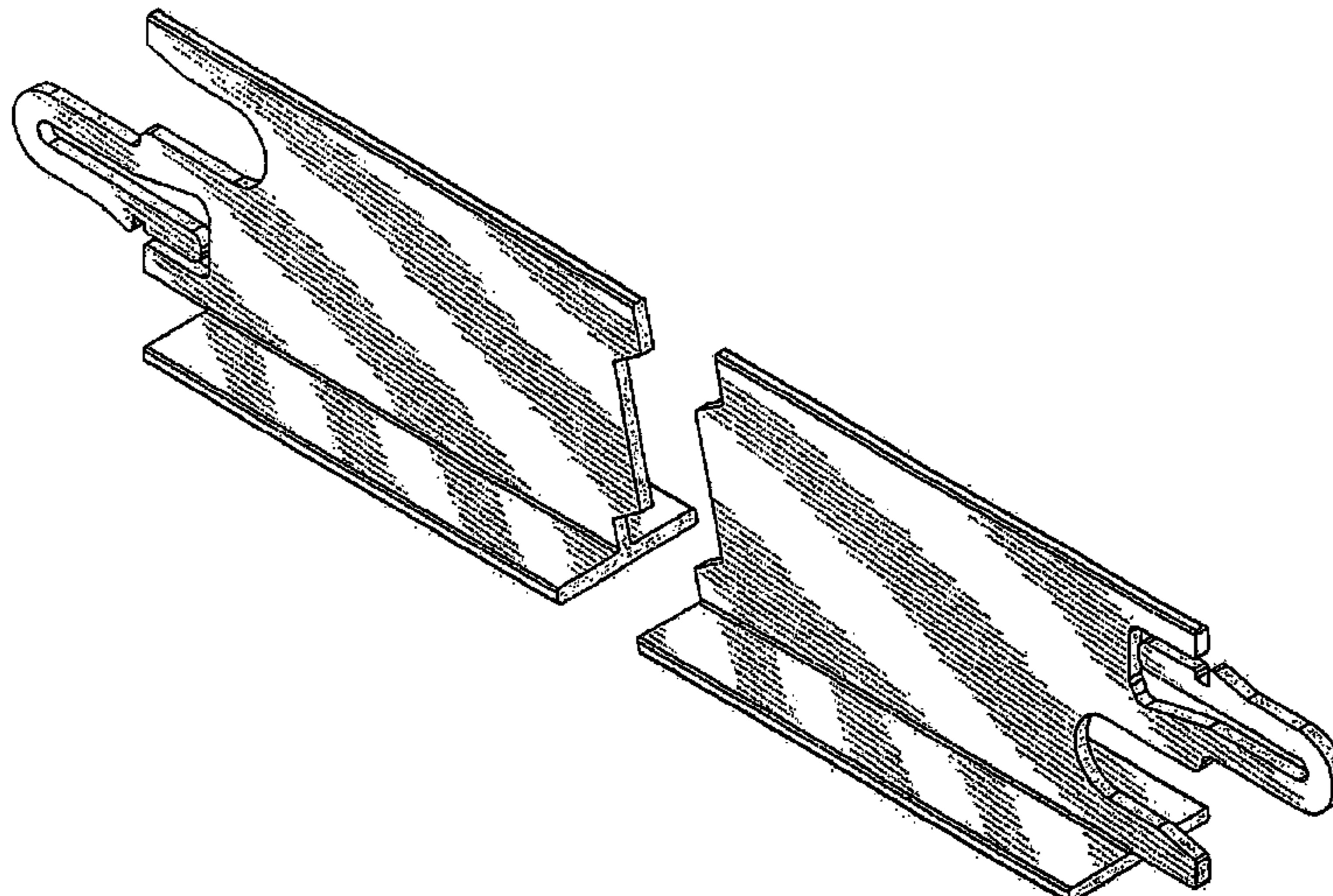
(57) **CLAIM**

The ornamental design for a cross support grid member for a suspended ceiling, as shown and described.

DESCRIPTION

FIG. 1 is a perspective view of a cross support grid member for a suspended ceiling and showing my new design; FIG. 2 is an end view thereof; FIG. 3 is the opposite end view thereof; FIG. 4 is a side view thereof, the opposite side view being a mirror image; FIG. 5 is a top view thereof; and, FIG. 6 is a bottom view thereof. FIGS. 1, 4, 5, and 6 are shown with a symbolic break in the length of the cross support grid member for a suspended ceiling. Any portion of the article between the break lines forms no part of the claimed design.

1 Claim, 4 Drawing Sheets



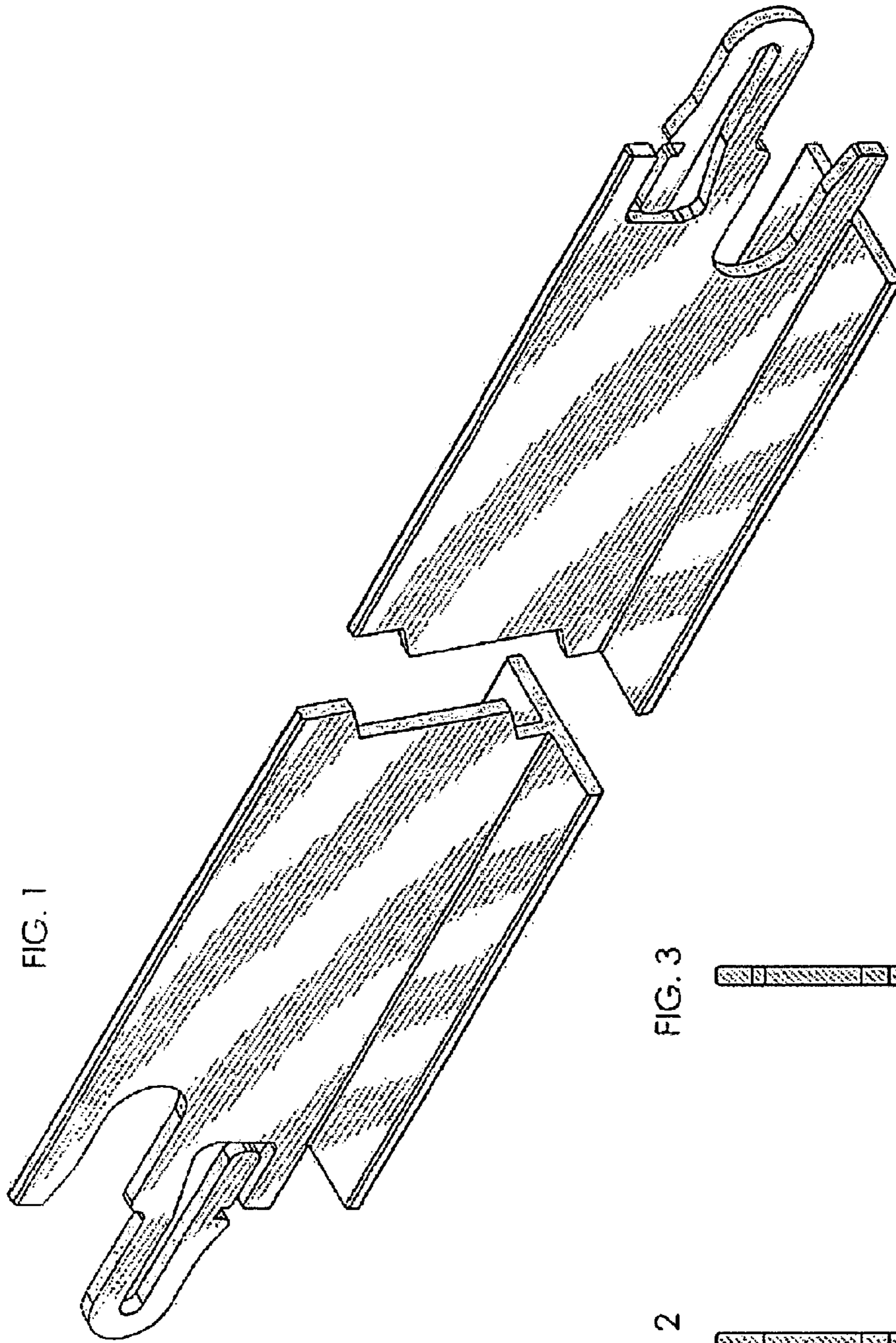


FIG. 1

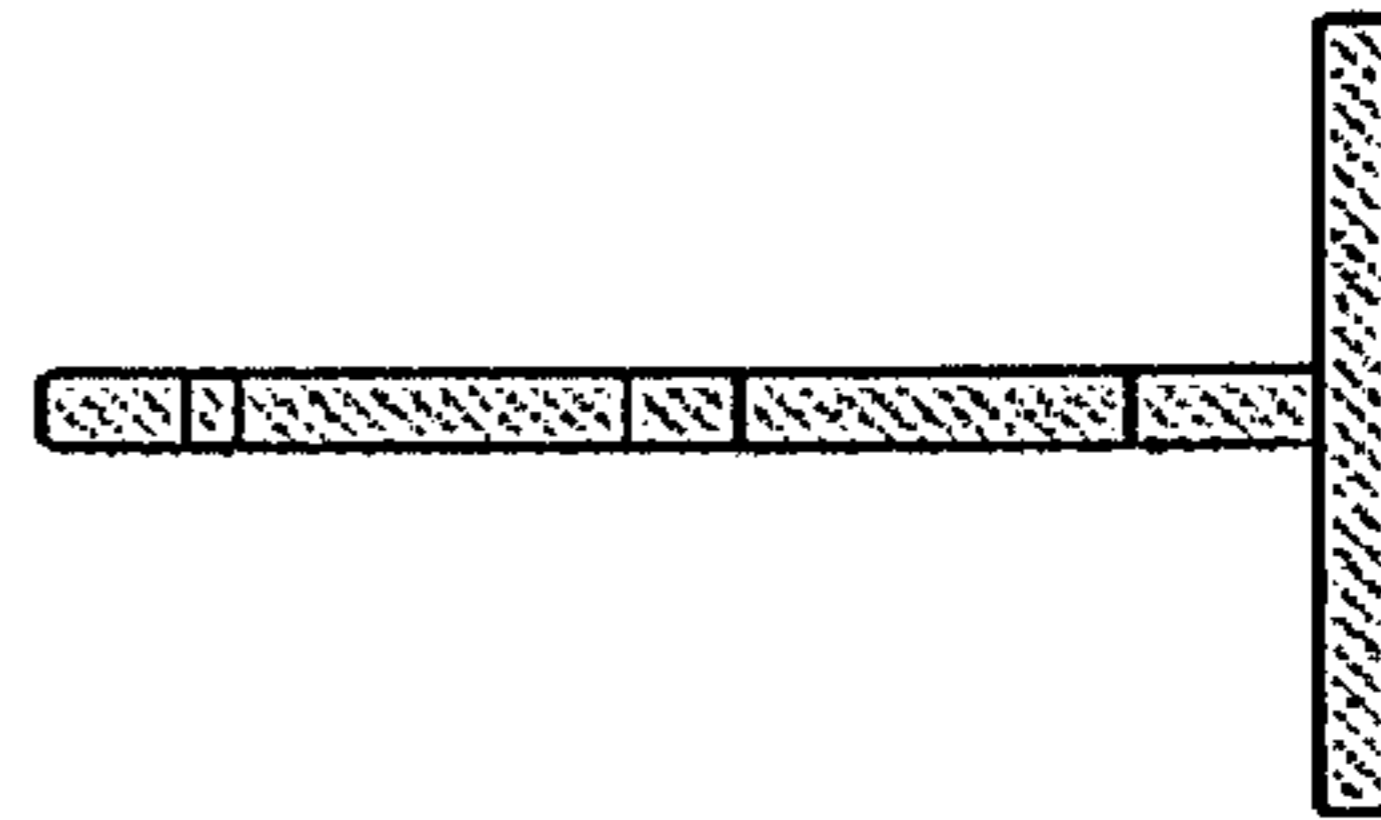


FIG. 3

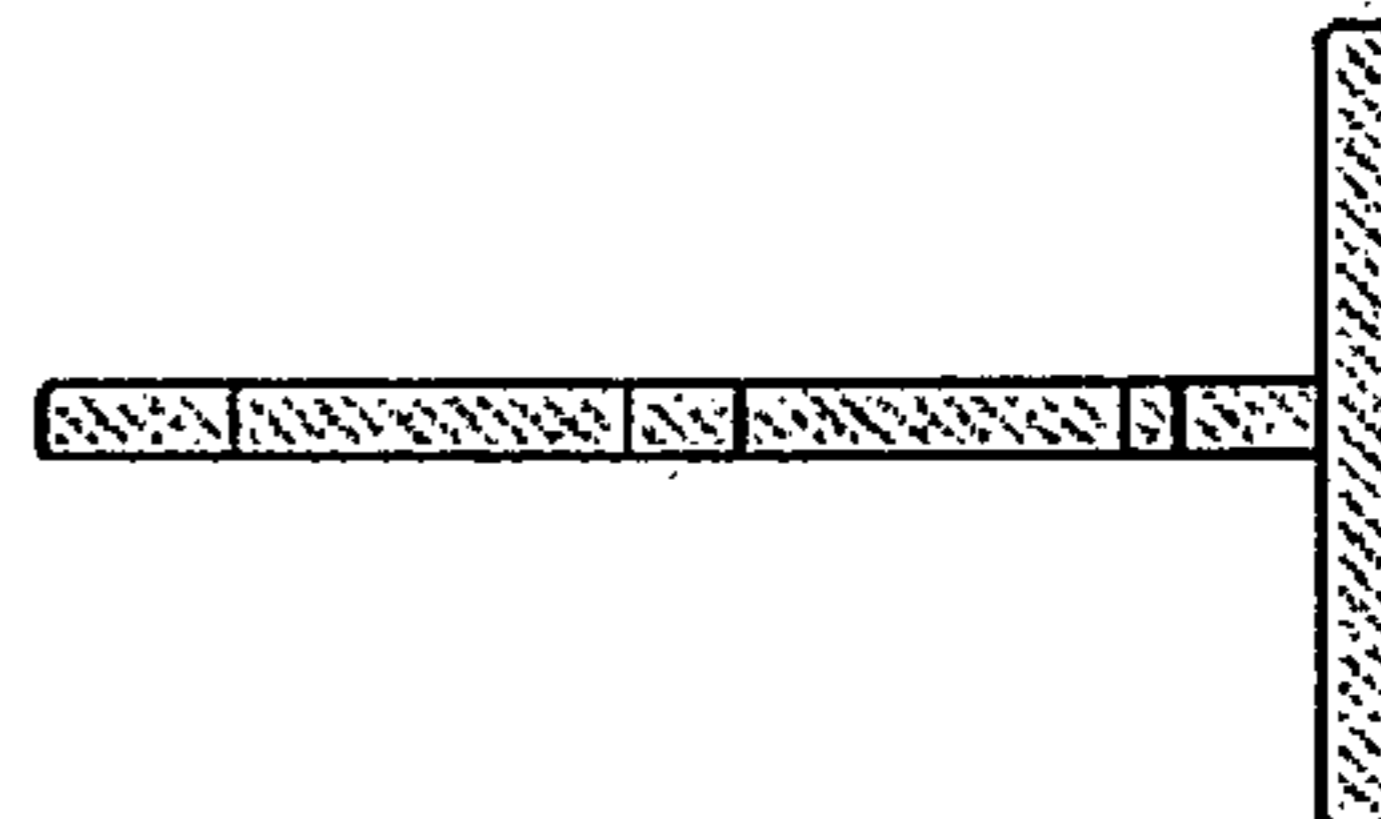


FIG. 2

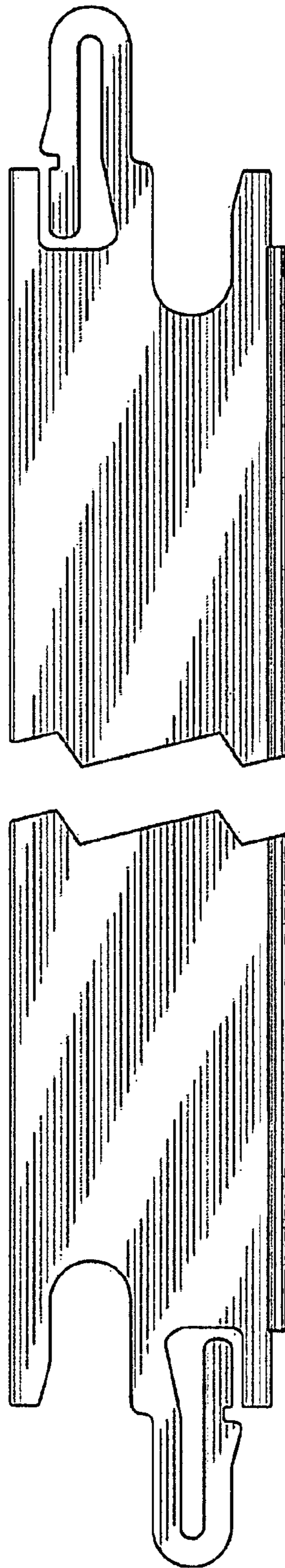


FIG. 4

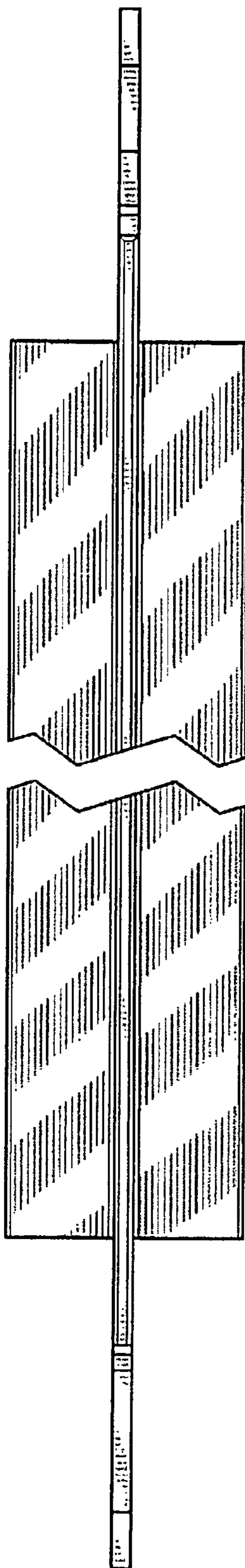


FIG. 5

FIG. 6

