



US00D737993S

(12) **United States Design Patent**  
**Tan et al.**

(10) **Patent No.:** **US D737,993 S**

(45) **Date of Patent:** **\*\* Sep. 1, 2015**

(54) **MEDICAL TEST CARTRIDGE**

(71) Applicant: **Access Medical Systems, LTD.**, Palo Alto, CA (US)

(72) Inventors: **Hong Tan**, San Jose, CA (US); **Genqian Li**, Shanghai (CN); **Ming Xia**, Shanghai (CN); **Yongli Ren**, Shanghai (CN)

(73) Assignee: **ACCESS MEDICAL SYSTEMS, LTD.**, Palo Alto, CA (US)

(\*\*) Term: **14 Years**

(21) Appl. No.: **29/464,111**

(22) Filed: **Aug. 13, 2013**

(51) **LOC (10) Cl.** ..... **24-02**

(52) **U.S. Cl.**  
USPC ..... **D24/224**

(58) **Field of Classification Search**  
USPC ..... D24/216, 223–232, 107, 169, 186;  
D10/81; 206/446, 443; 422/63–67,  
422/68.1, 104, 560–561; 211/74  
See application file for complete search history.

(56) **References Cited**

**U.S. PATENT DOCUMENTS**

|           |      |         |                   |       |         |
|-----------|------|---------|-------------------|-------|---------|
| 5,186,339 | A *  | 2/1993  | Heissler          | ..... | 422/561 |
| D382,346  | S *  | 8/1997  | Buhler et al.     | ..... | D24/227 |
| 5,687,849 | A *  | 11/1997 | Borenstein et al. | ..... | 206/446 |
| 5,700,429 | A *  | 12/1997 | Buhler et al.     | ..... | 422/560 |
| D413,391  | S *  | 8/1999  | Lapeus et al.     | ..... | D24/229 |
| D417,009  | S *  | 11/1999 | Boyd              | ..... | D24/227 |
| D421,130  | S *  | 2/2000  | Cohen et al.      | ..... | D24/230 |
| D428,497  | S *  | 7/2000  | Lapeus et al.     | ..... | D24/227 |
| D433,759  | S *  | 11/2000 | Mathis et al.     | ..... | D24/227 |
| 7,000,785 | B2 * | 2/2006  | Jafari et al.     | ..... | 211/74  |
| D533,947  | S *  | 12/2006 | Gomm et al.       | ..... | D24/227 |

|          |     |         |               |       |         |
|----------|-----|---------|---------------|-------|---------|
| D596,312 | S * | 7/2009  | Giraud et al. | ..... | D24/230 |
| D665,095 | S * | 8/2012  | Wilson et al. | ..... | D24/227 |
| D669,597 | S * | 10/2012 | Cavada et al. | ..... | D24/216 |
| D672,881 | S * | 12/2012 | Kraihanzel    | ..... | D24/224 |
| D672,882 | S * | 12/2012 | Wiltsie       | ..... | D24/224 |
| D675,338 | S * | 1/2013  | Suzuki et al. | ..... | D24/229 |

\* cited by examiner

*Primary Examiner* — T. Chase Nelson

*Assistant Examiner* — Mark Cavanna

(74) *Attorney, Agent, or Firm* — Perkins Coie LLP

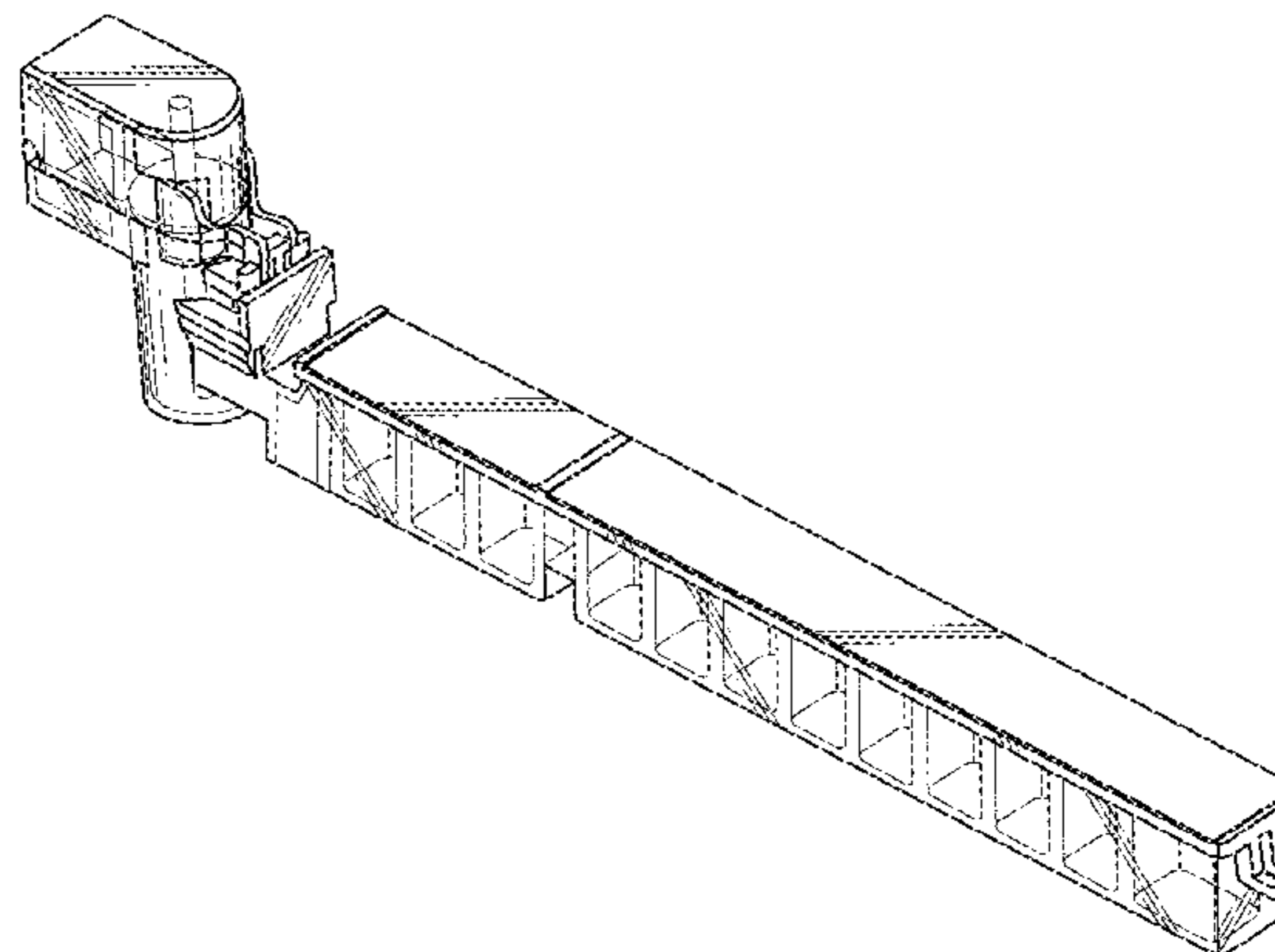
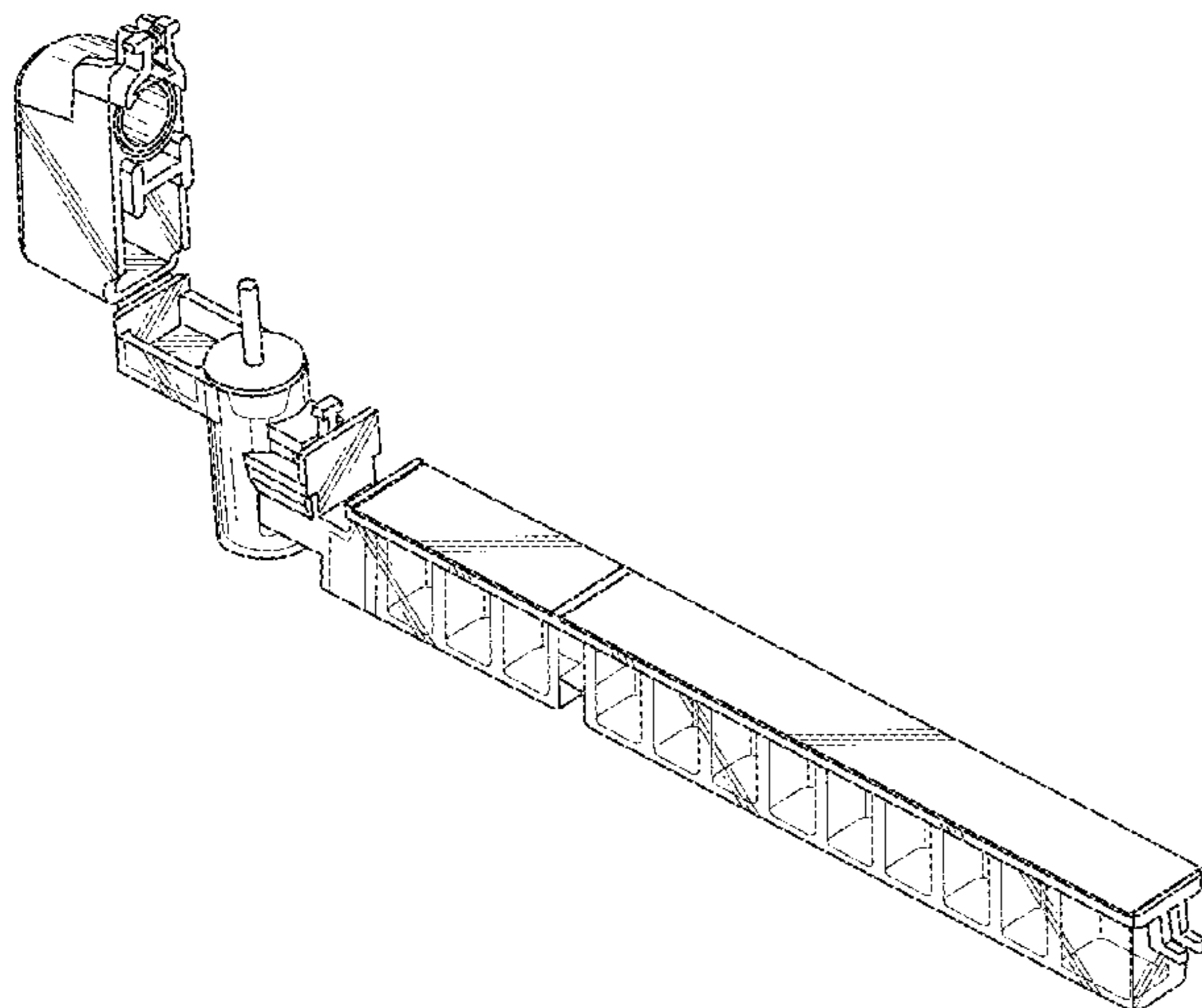
(57) **CLAIM**

The ornamental design for a medical test cartridge, as shown and described.

**DESCRIPTION**

FIG. 1 is a perspective view of the ornamental design for a medical test cartridge made of light-transmitting material with a cap opened, as seen from the front, top side; FIG. 2 is a front elevational view thereof, the bottom elevational view being mirror symmetrical; FIG. 3 is a left elevational view thereof; FIG. 4 is a right elevational view thereof; FIG. 5 is a top plan view thereof; FIG. 6 is a bottom plan view thereof; FIG. 7 is a perspective view of the ornamental design for the medical test cartridge made of light-transmitting material with the cap closed, as seen from the front, top side; FIG. 8 is a front elevational view thereof, the bottom elevational view being mirror symmetrical; FIG. 9 is a left elevational view thereof; FIG. 10 is a right elevational view thereof; FIG. 11 is a top plan view thereof; and, FIG. 12 is a bottom plan view thereof.

**1 Claim, 8 Drawing Sheets**



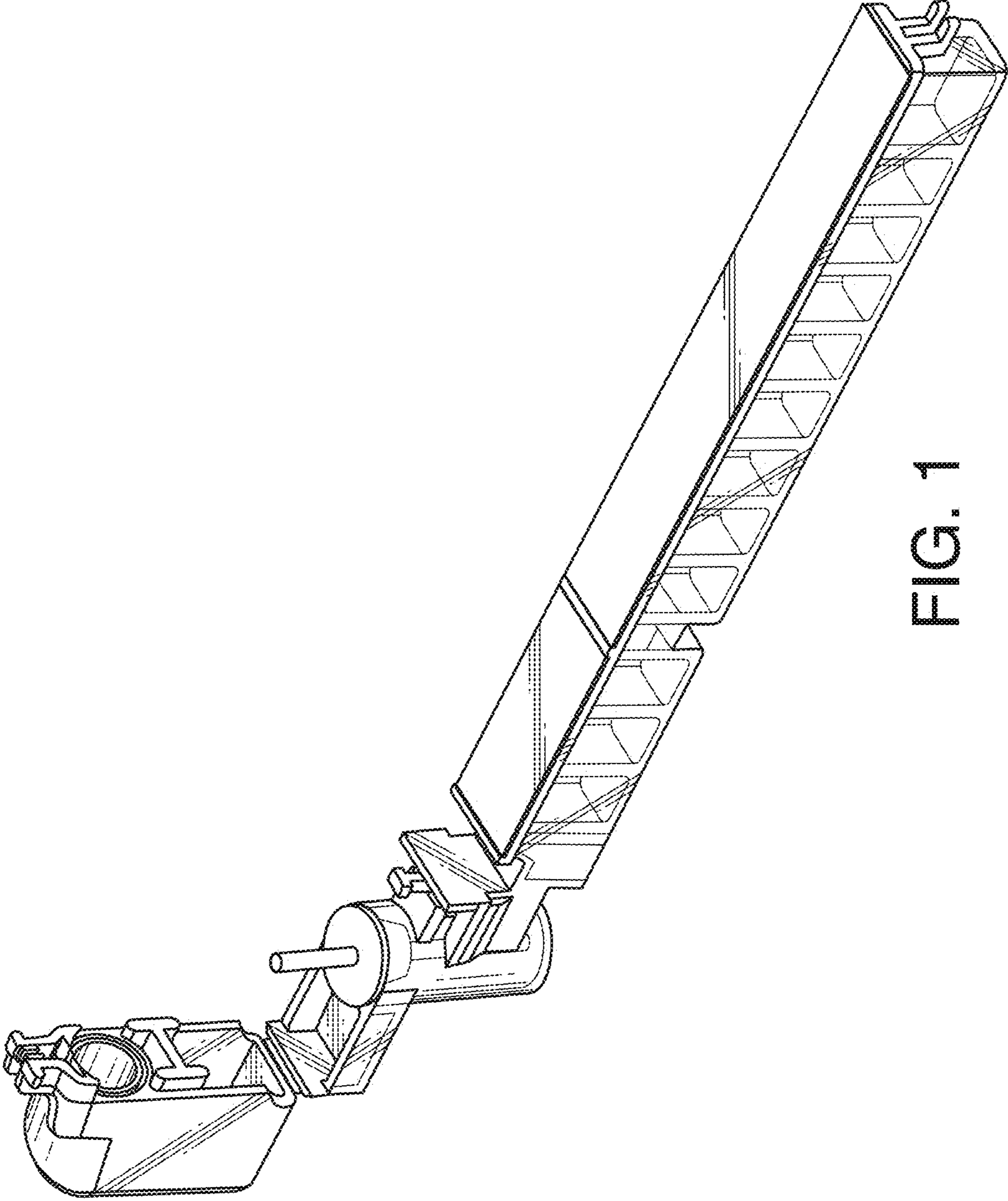


FIG. 1

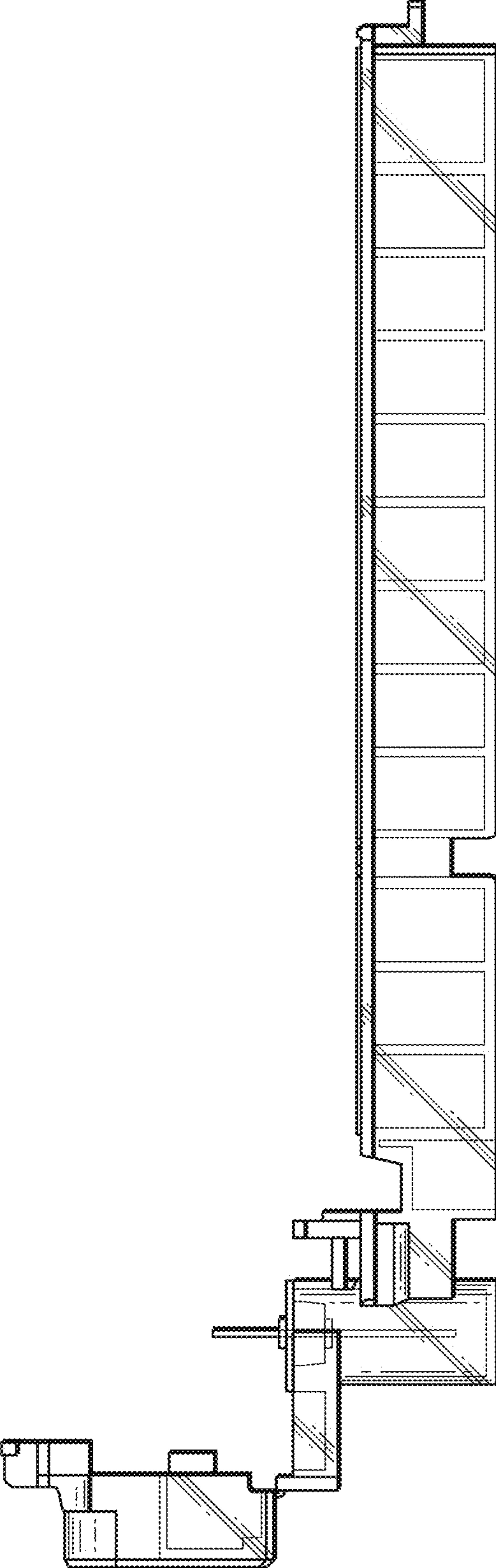


FIG. 2

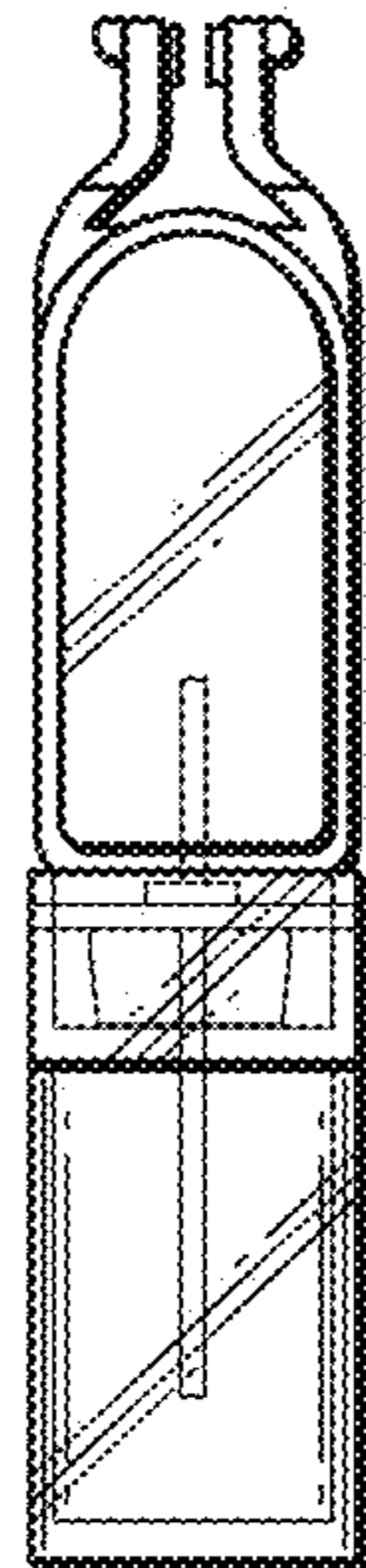


FIG. 3

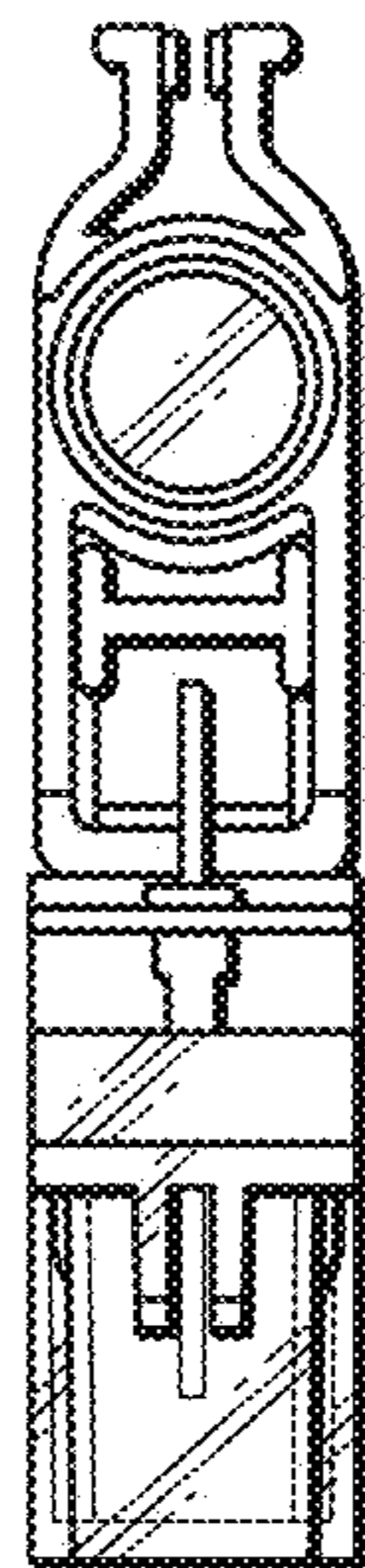


FIG. 4

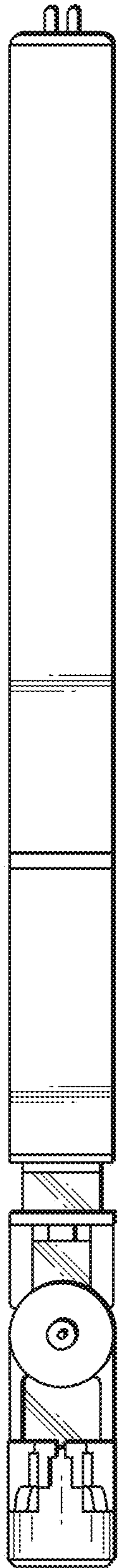


FIG. 5

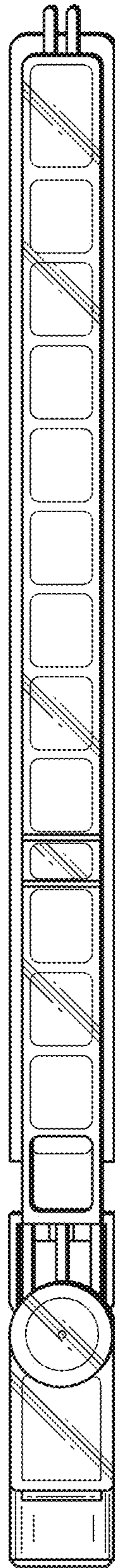


FIG. 6

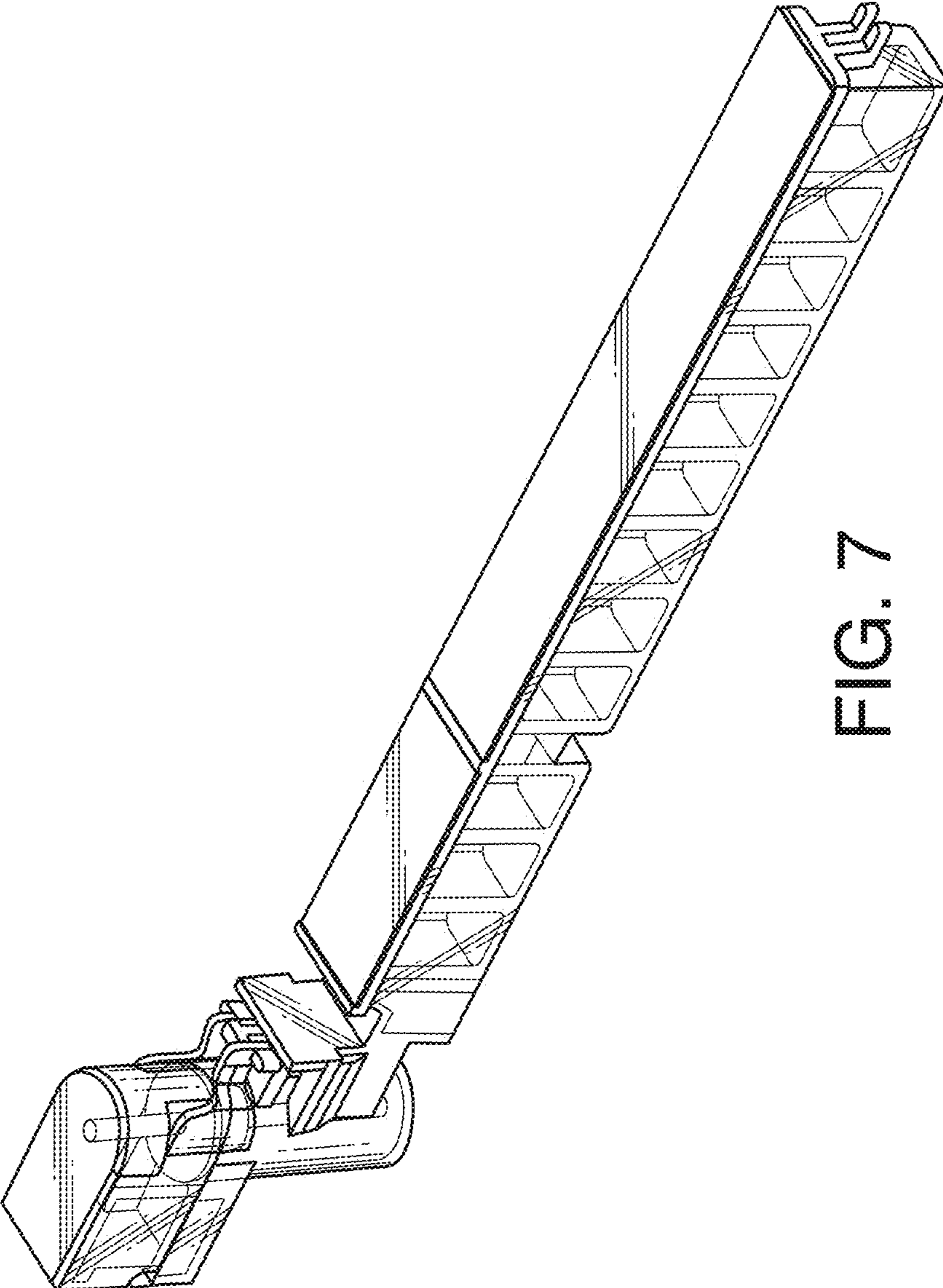


FIG. 7

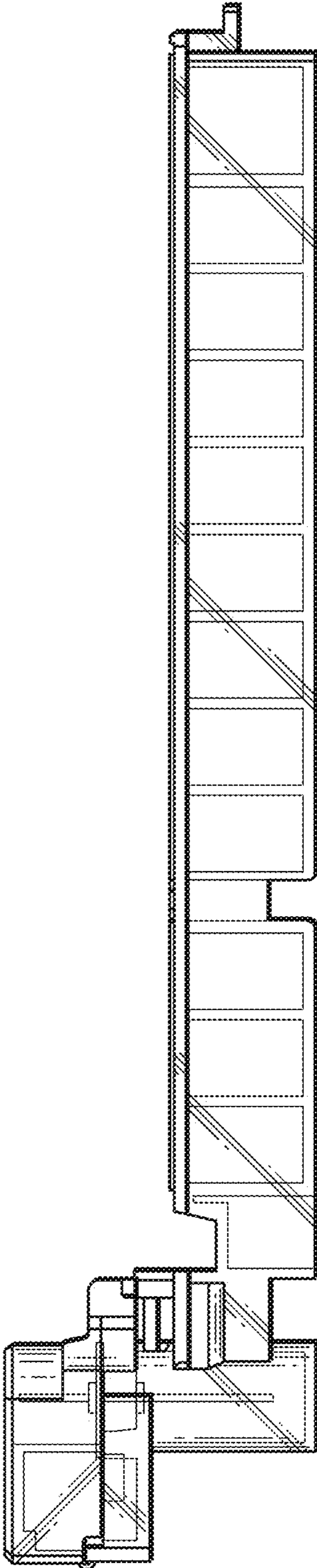


FIG. 8

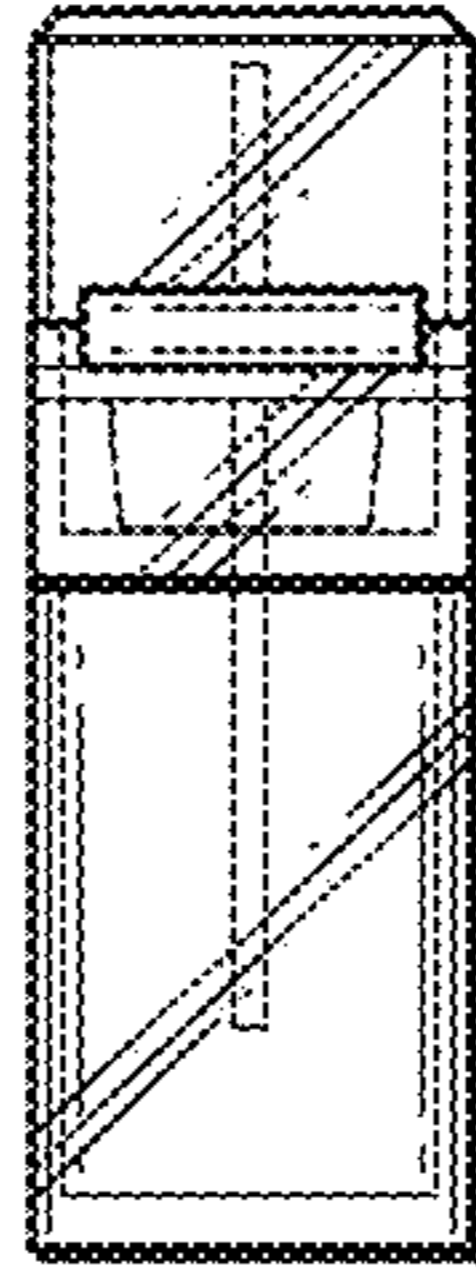


FIG. 9

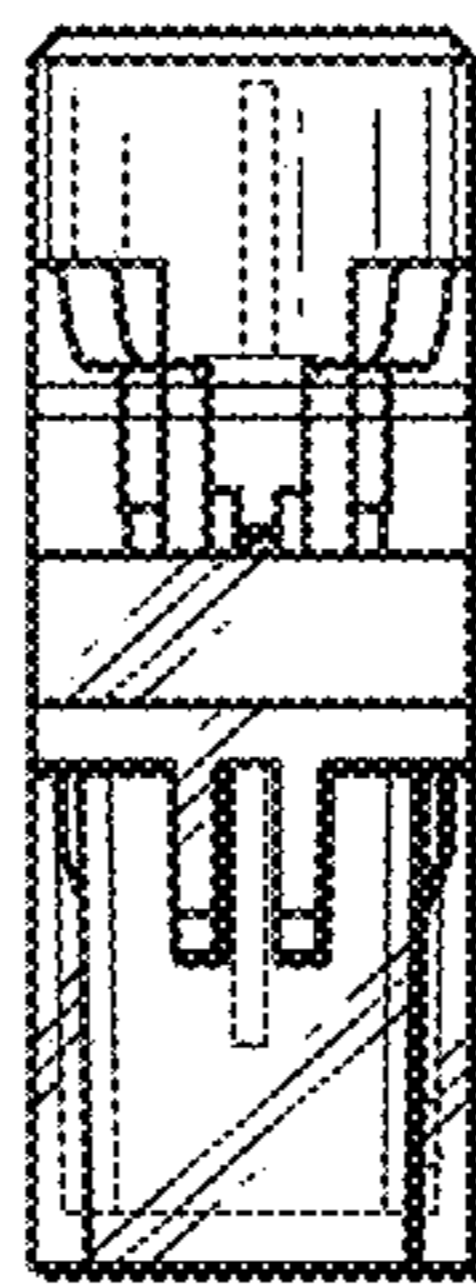


FIG. 10



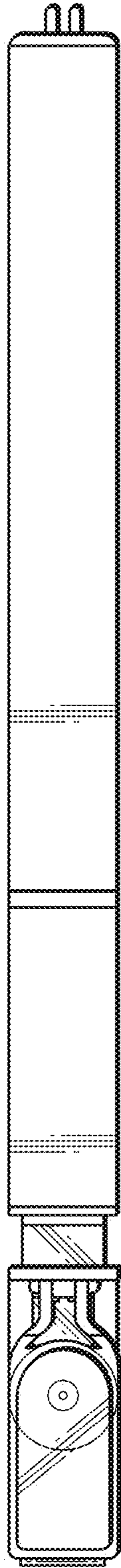


FIG. 11

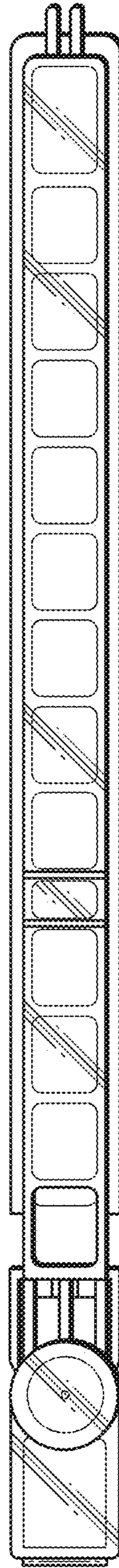


FIG. 12