



US00D737992S

(12) **United States Design Patent**
Reichthalhammer et al.

(10) **Patent No.:** **US D737,992 S**
(45) **Date of Patent:** **** Sep. 1, 2015**

(54) **MEDICAL EQUIPMENT FOR MIXING
MEDICAL LIQUIDS**

(71) Applicants: **Thomas Reichthalhammer,**
Herzogenaurach (DE); **Matthias Roth,**
Herzogenaurach (DE)

(72) Inventors: **Thomas Reichthalhammer,**
Herzogenaurach (DE); **Matthias Roth,**
Herzogenaurach (DE)

(73) Assignee: **seiratherm GmbH,** Herzogenaurach
(DE)

(**) Term: **14 Years**

(21) Appl. No.: **29/492,912**

(22) Filed: **Jun. 4, 2014**

(51) **LOC (10) Cl.** **24-00**

(52) **U.S. Cl.**
USPC **D24/220**

(58) **Field of Classification Search**
USPC D24/220, 229; 219/754, 726; 210/695,
210/222; 435/5; 99/275, 286; 366/273, 214,
366/274; 446/46; 206/338; 422/500; 494/12
CPC H05B 6/6411; B03C 1/288; C02F 1/481;
C07K 14/005; A23G 9/045; A47J 31/42;
B01F 13/0827; B01F 13/0818; B01F 9/0021;
A63H 33/18; B43M 99/009; B01L 2300/0816;
B04B 7/02

See application file for complete search history.

(56) **References Cited**

U.S. PATENT DOCUMENTS

3,088,716	A *	5/1963	Scott	366/273
3,163,404	A *	12/1964	Kraft et al.	366/214
3,566,532	A *	3/1971	Wilson	446/46
3,831,743	A *	8/1974	Leedy	206/338
3,850,580	A *	11/1974	Moore et al.	422/500
3,891,140	A *	6/1975	Ayres	494/12
D240,145	S *	6/1976	Brown et al.	D24/220
D248,407	S *	7/1978	Bassett et al.	D24/229
4,568,195	A *	2/1986	Herz et al.	366/274

4,605,498	A *	8/1986	Kulish	210/222
4,911,555	A *	3/1990	Saffer et al.	366/274
4,959,517	A *	9/1990	Jump et al.	219/726
5,113,751	A *	5/1992	Holcomb et al.	99/286
5,166,486	A *	11/1992	Komatsu et al.	219/754
5,248,437	A *	9/1993	Forrest	210/695
D358,659	S *	5/1995	Rohrabacher	D24/220
5,466,574	A *	11/1995	Liberti et al.	435/5
D426,312	S *	6/2000	Gomes	D24/220
D433,148	S *	10/2000	Dennis	D24/220
D472,323	S *	3/2003	Sand	D24/220
D561,345	S *	2/2008	Flick	D24/220
D606,663	S *	12/2009	Tien et al.	D24/220
D701,615	S *	3/2014	Pluska et al.	D24/220
2003/0226447	A1 *	12/2003	Flick	99/275

* cited by examiner

Primary Examiner — Holly Baynham

Assistant Examiner — Rhea Shields

(74) *Attorney, Agent, or Firm* — Nixon & Vanderhye P.C.

(57) **CLAIM**

The ornamental design for a medical equipment for mixing medical liquids, as shown and described.

DESCRIPTION

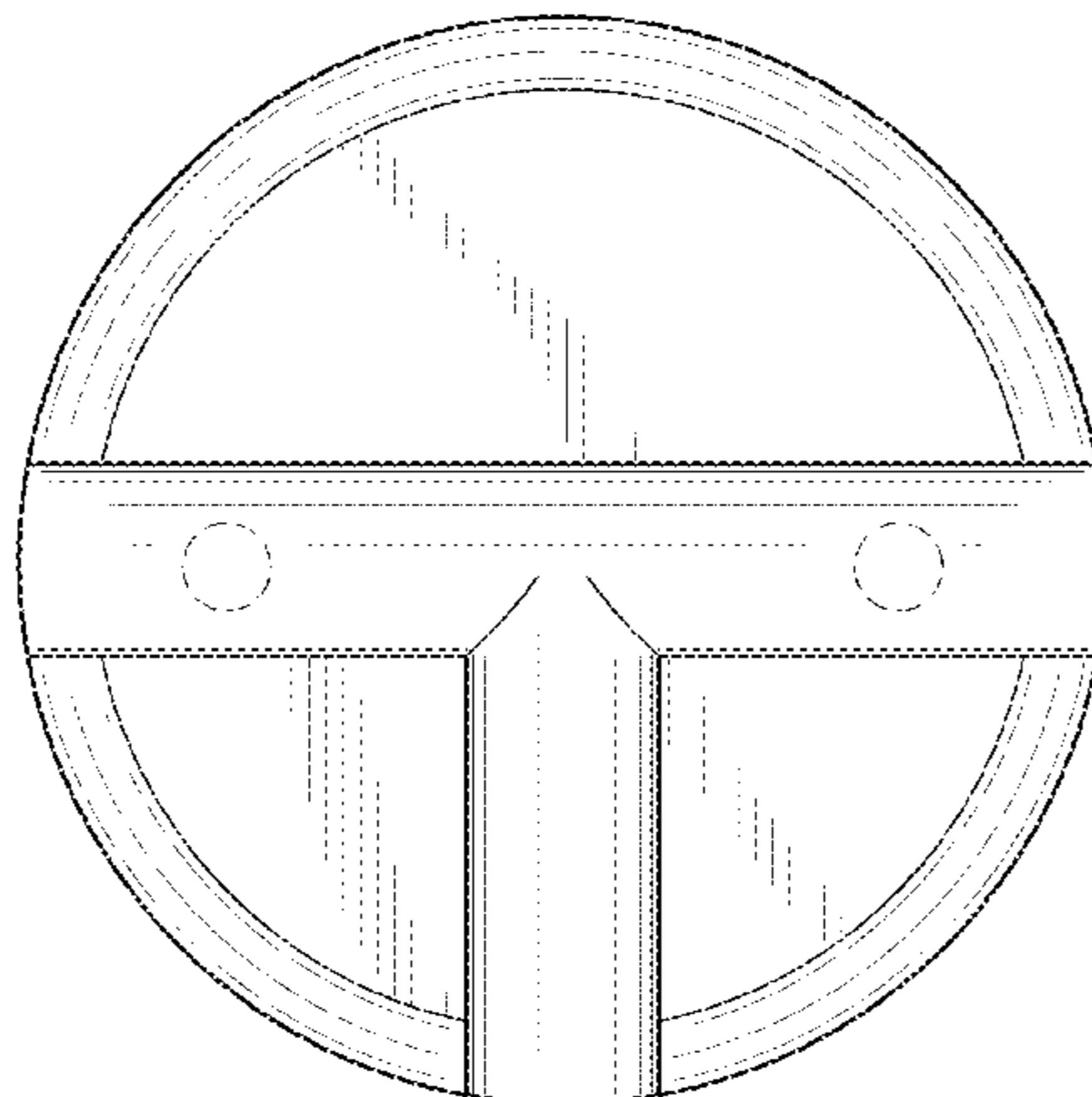
FIG. 1 is a top view of medical equipment for mixing medical liquids according to a first embodiment of my/our design; FIG. 2 is a perspective view thereof; and, FIG. 3 is a reverse perspective view thereof.

Applicants respectfully reserve the right to pursue portions of each of the designs disclosed herein, e.g., various portions of the medical equipment, such as the “T” shaped groove only, the round main body, the chamfered/rounded upper edge of the main body, the hemi-circle, each of both “quarters”, various portions thereof and/or the combination or the interface between subportions or portions thereof.

Throughout the various figures of the drawings, certain views may not be provided. The omission of a particular view is intended to convey that the element(s) depicted is/are plain and unornamented in that omitted view, or that the particular ornamental appearance in that view is simply not claimed.

In the drawings, the broken lines are for the purpose of illustrating environment only and form no part of the claimed design.

1 Claim, 3 Drawing Sheets



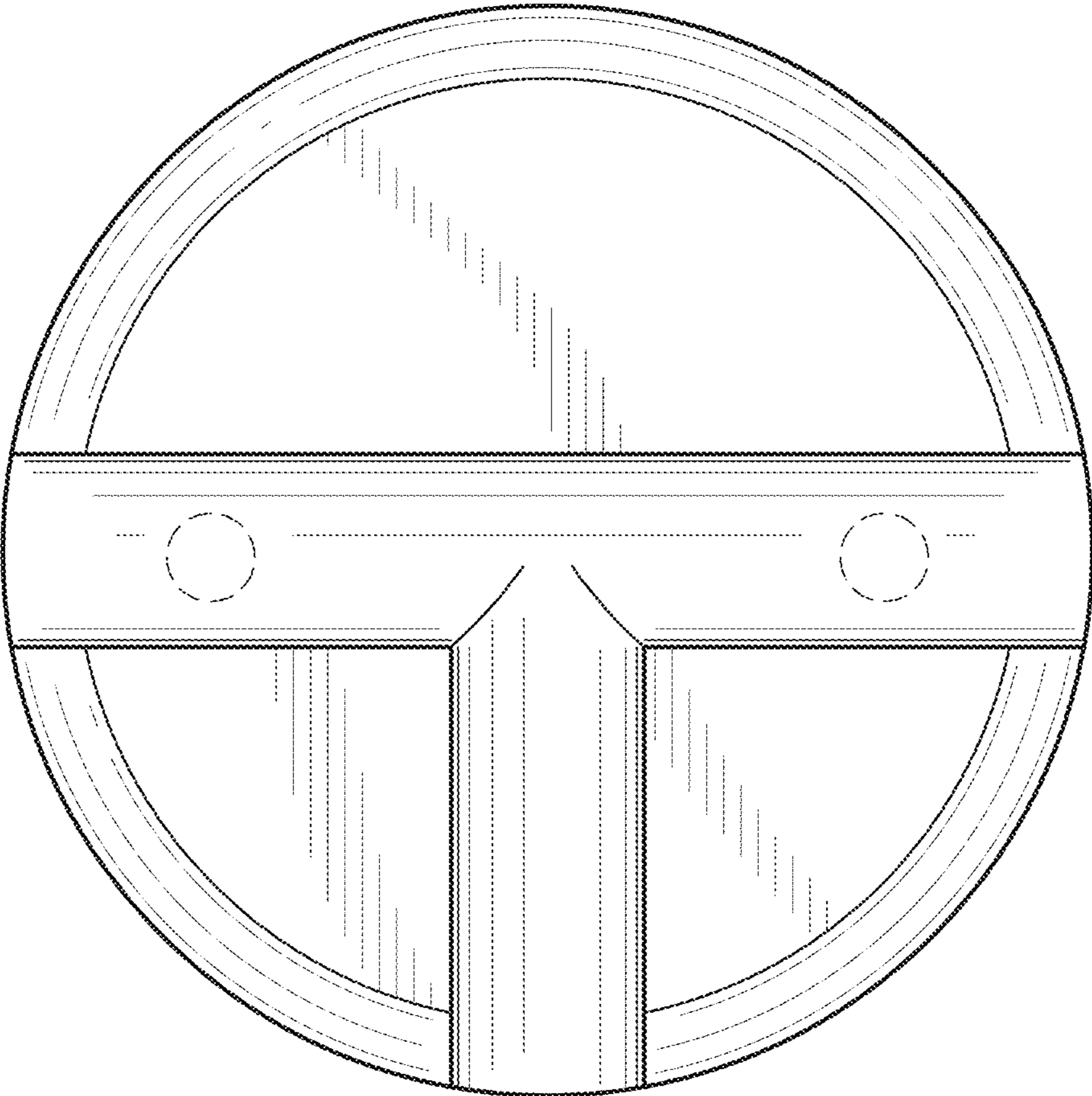


FIG. 1

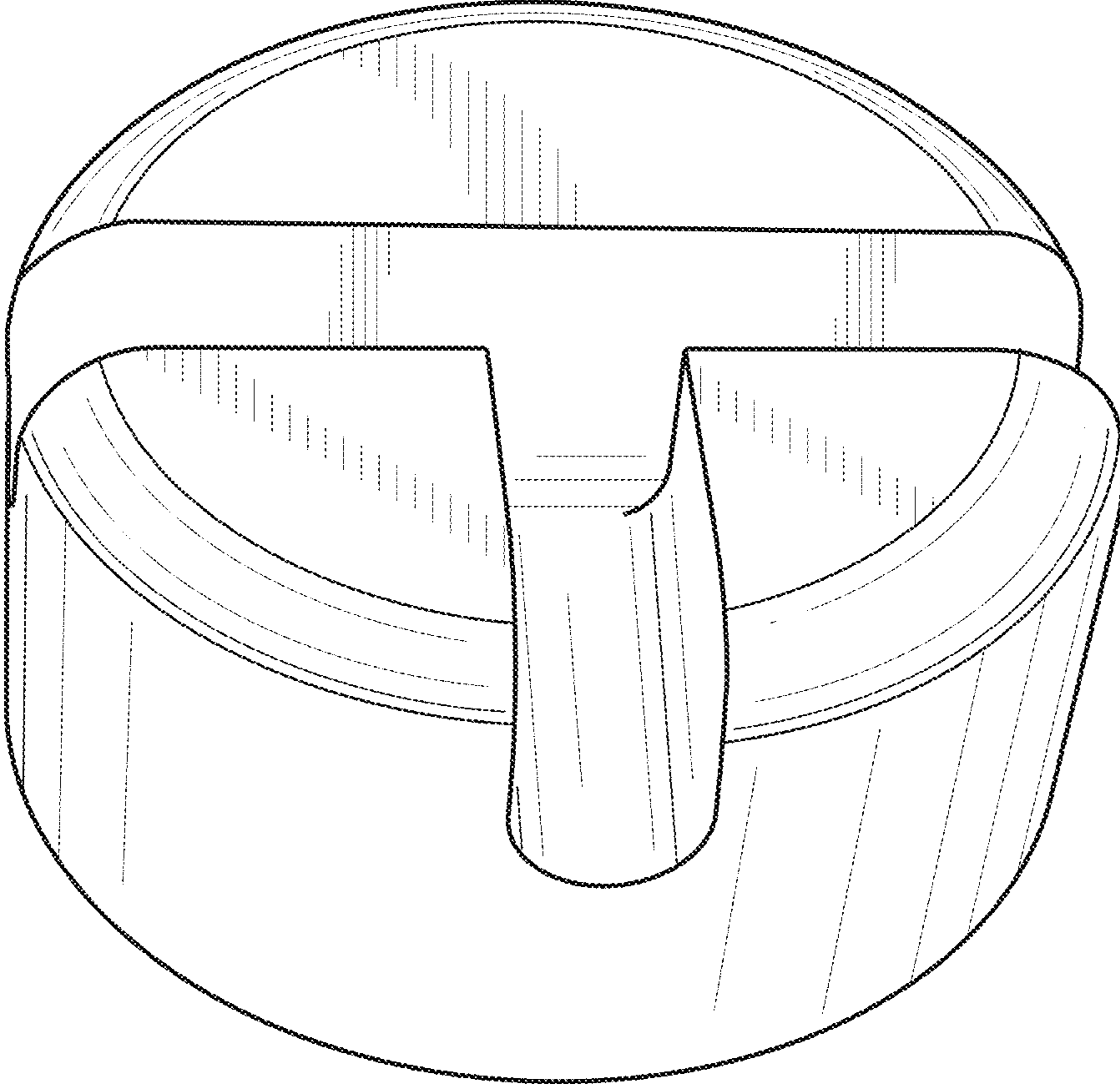


FIG. 2

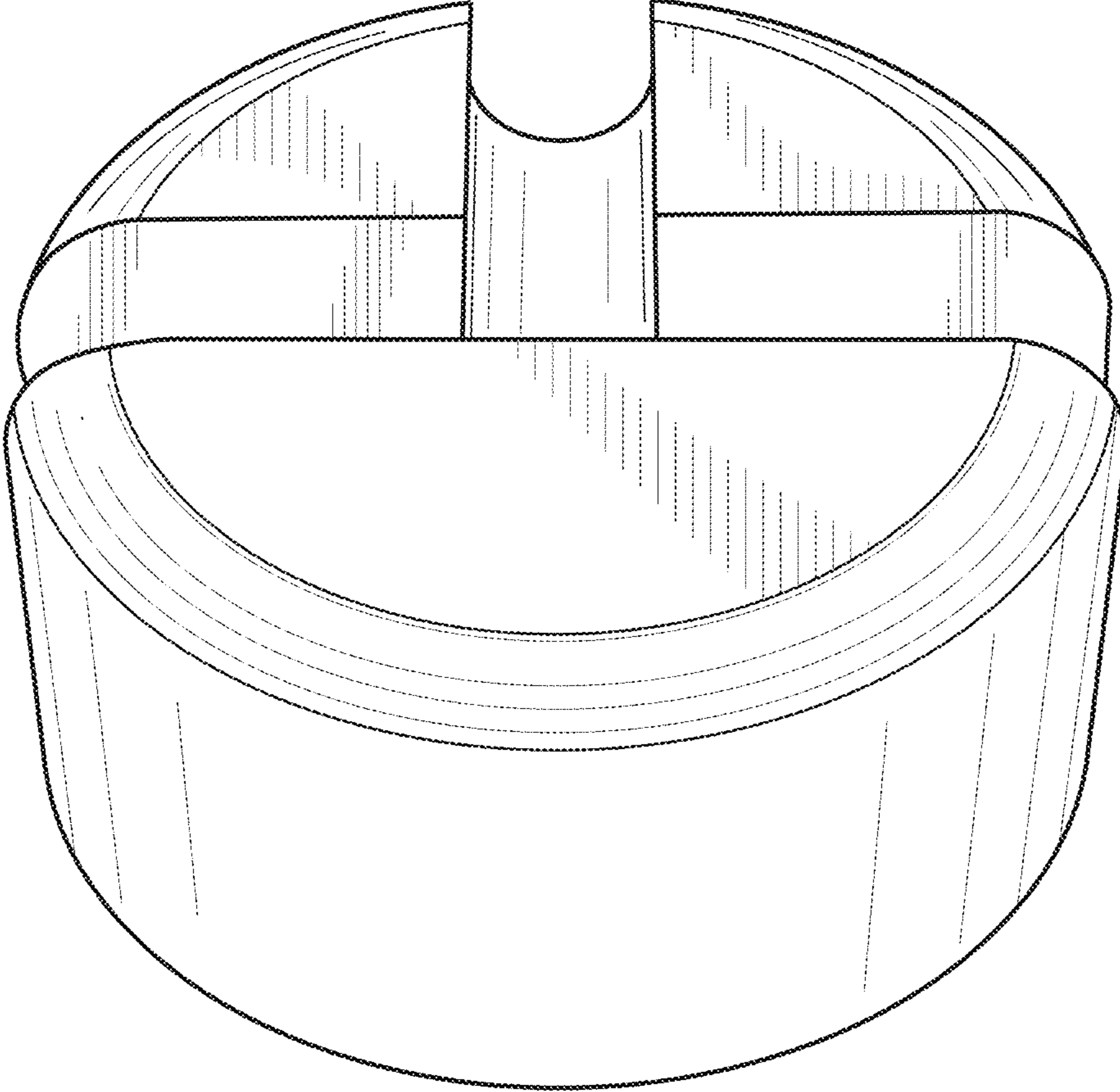


FIG. 3