



US00D737990S

(12) **United States Design Patent**
Lee

(10) **Patent No.:** **US D737,990 S**
(45) **Date of Patent:** **** Sep. 1, 2015**

(54) **SKIN CARE DEVICE**

(71) Applicant: **BOMTECH ELECTRONICS CO. LTD.**, Seoul (KR)

(72) Inventor: **Jong-dae Lee**, Seoul (KR)

(73) Assignee: **BOMTECH ELECTRONICS CO., LTD.**, Seoul (KR)

(**) Term: **14 Years**

(21) Appl. No.: **29/466,053**

(22) Filed: **Sep. 4, 2013**

(30) **Foreign Application Priority Data**

Mar. 14, 2013 (KR) 30-2013-0013040

(51) **LOC (10) Cl.** **28-03**

(52) **U.S. Cl.**
USPC **D24/215; D24/200**

(58) **Field of Classification Search**
USPC D24/215, 102, 127, 133, 146, 147, 200,
D24/209, 214; 604/22; 601/2, 6, 17, 7, 15,
601/46, 80

CPC ... A45D 34/04; A61H 23/0245; A61H 9/005;
A61H 7/003; A61H 7/005; A61H 7/00;
A61H 7/001; A61H 7/002; A61M 2210/04;
A61M 35/003; A61M 1/08; A61N 2007/0034;
A61N 5/0616; A61N 2005/0644

See application file for complete search history.

(56) **References Cited**

U.S. PATENT DOCUMENTS

D214,111 S * 5/1969 Anderson D24/214
D303,430 S * 9/1989 Studer et al. D24/200

(Continued)

FOREIGN PATENT DOCUMENTS

CN 301079084 * 12/2009
CN 303043438 * 12/2014

(Continued)

Primary Examiner — Bridget L Eland

Assistant Examiner — Lauren McVey

(74) *Attorney, Agent, or Firm* — Ohlandt Greeley Ruggiero & Perle L.L.P.

(57) **CLAIM**

The ornamental design for a/the skin care device, as shown and described.

DESCRIPTION

FIG. 1 is a perspective view of a skin care device showing my new design;

FIG. 2 is a front view of the skin care device thereof;

FIG. 3 is a back view of the skin care device thereof;

FIG. 4 is a first side view of the skin care device thereof;

FIG. 5 is a second, opposite side view of the skin care device thereof;

FIG. 6 is a top view of the skin care device thereof;

FIG. 7 is a bottom view of the skin care device thereof;

FIG. 8 is a perspective view of the skin care device of FIG. 1, showing the stand separated out in order to show aspects of the design that are not otherwise apparent;

FIG. 9 is a front view of the skin care device thereof;

FIG. 10 is a back view of the skin care device thereof;

FIG. 11 is a first side view of the skin care device thereof;

FIG. 12 is a second, opposite side view of the skin care device thereof;

FIG. 13 is a top view of the skin care device thereof;

FIG. 14 is a bottom view of the skin care device thereof;

FIG. 15 is a perspective view of the skin care device of FIG. 1, showing the stand removed in order to show aspects of the design that are not otherwise apparent;

FIG. 16 is a front view of the skin care device thereof;

FIG. 17 is a back view of the skin care device thereof;

FIG. 18 is a first side view of the skin care device thereof;

FIG. 19 is a second, opposite side view of the skin care device thereof;

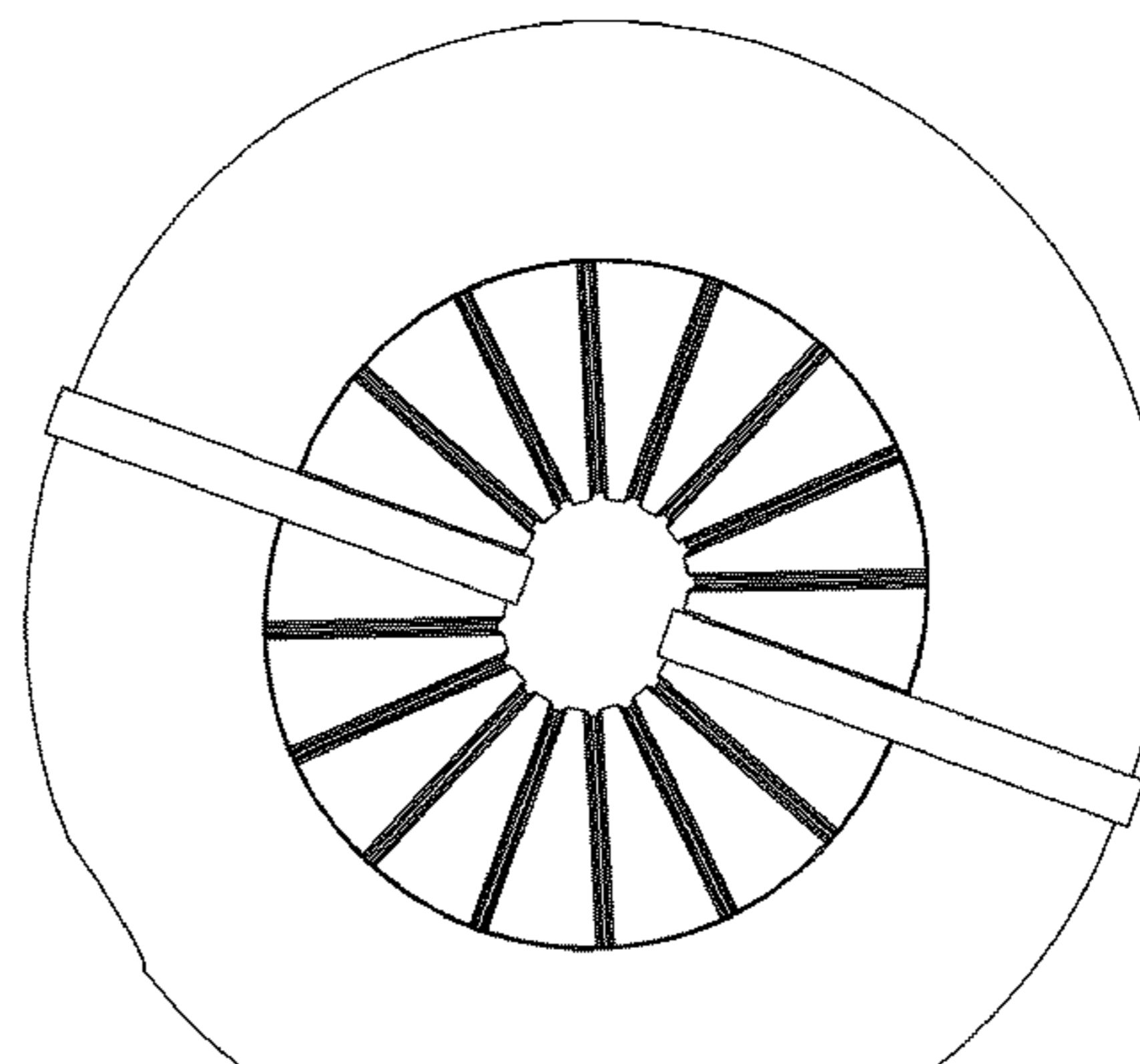
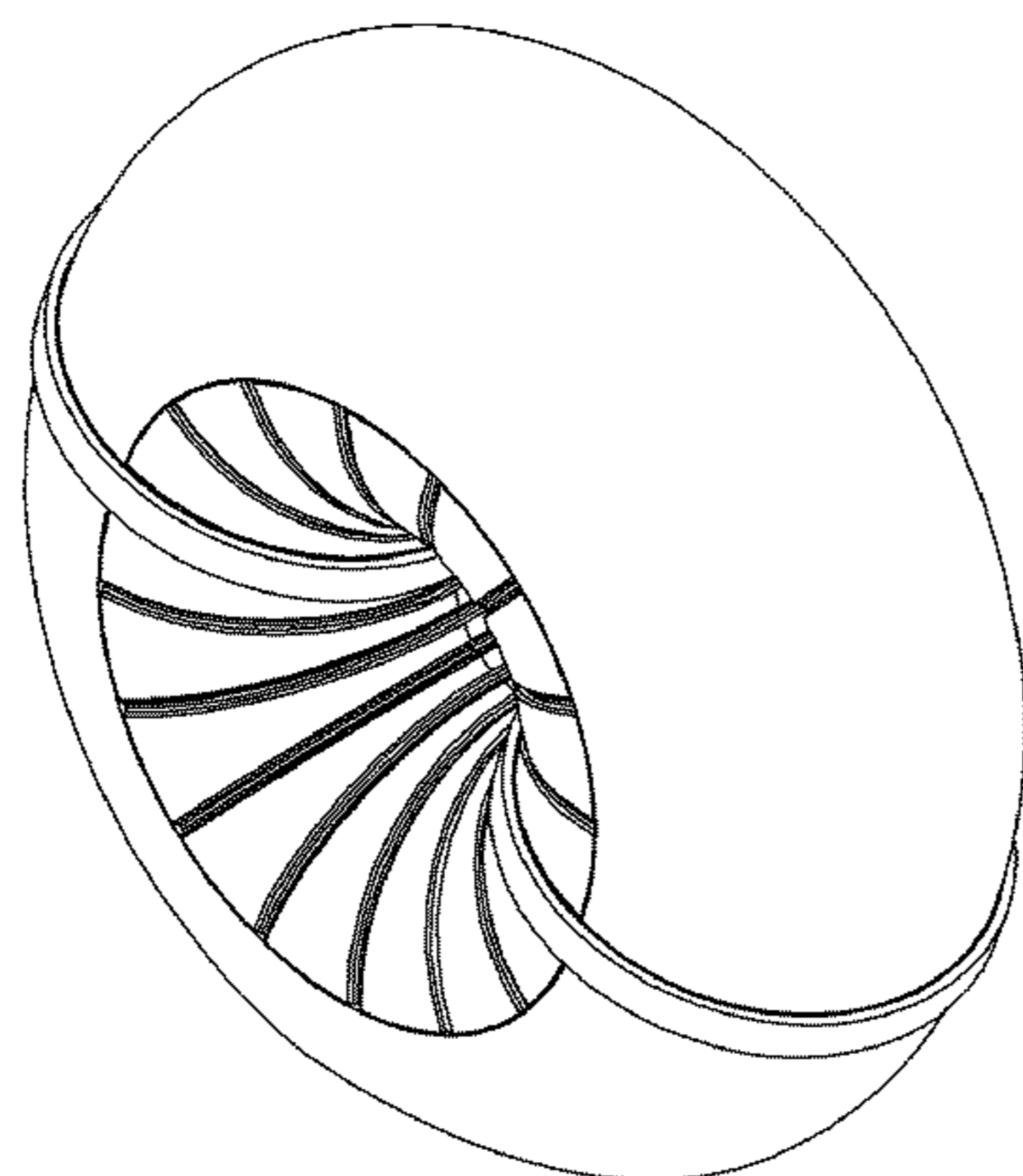
FIG. 20 is a top view of the skin care device thereof;

FIG. 21 is a bottom view of the skin care device thereof; and,

FIG. 22 is a perspective view of the skin care device of FIG. 1 in an exploded state.

The dot dash lines in FIG. 22 indicate the path along which the working end has been exploded from the stand. The dot dash broken lines form no part of the claimed design.

1 Claim, 22 Drawing Sheets



(56)

References Cited

U.S. PATENT DOCUMENTS

D319,105 S * 8/1991 Cheng D24/215
D579,572 S * 10/2008 Wittenbrock et al. D24/209
D648,861 S * 11/2011 Chong et al. D24/215
D676,141 S * 2/2013 Wu D24/215
D684,269 S * 6/2013 Wang et al. D24/209
D700,974 S * 3/2014 Taalman D24/215
D715,954 S * 10/2014 Sedic D24/215
D722,175 S * 2/2015 Matsuura D24/215

2013/0231592 A1* 9/2013 Lee 601/2
2014/0114220 A1* 4/2014 Lee 601/107
2014/0371637 A1* 12/2014 Lee 601/2

FOREIGN PATENT DOCUMENTS

KR 300447144.0000 * 4/2007
KR 300529998.0000 * 6/2009
KR 300700279.0000 * 7/2013
KR 300726774.0000 * 1/2014

* cited by examiner

FIG. 1

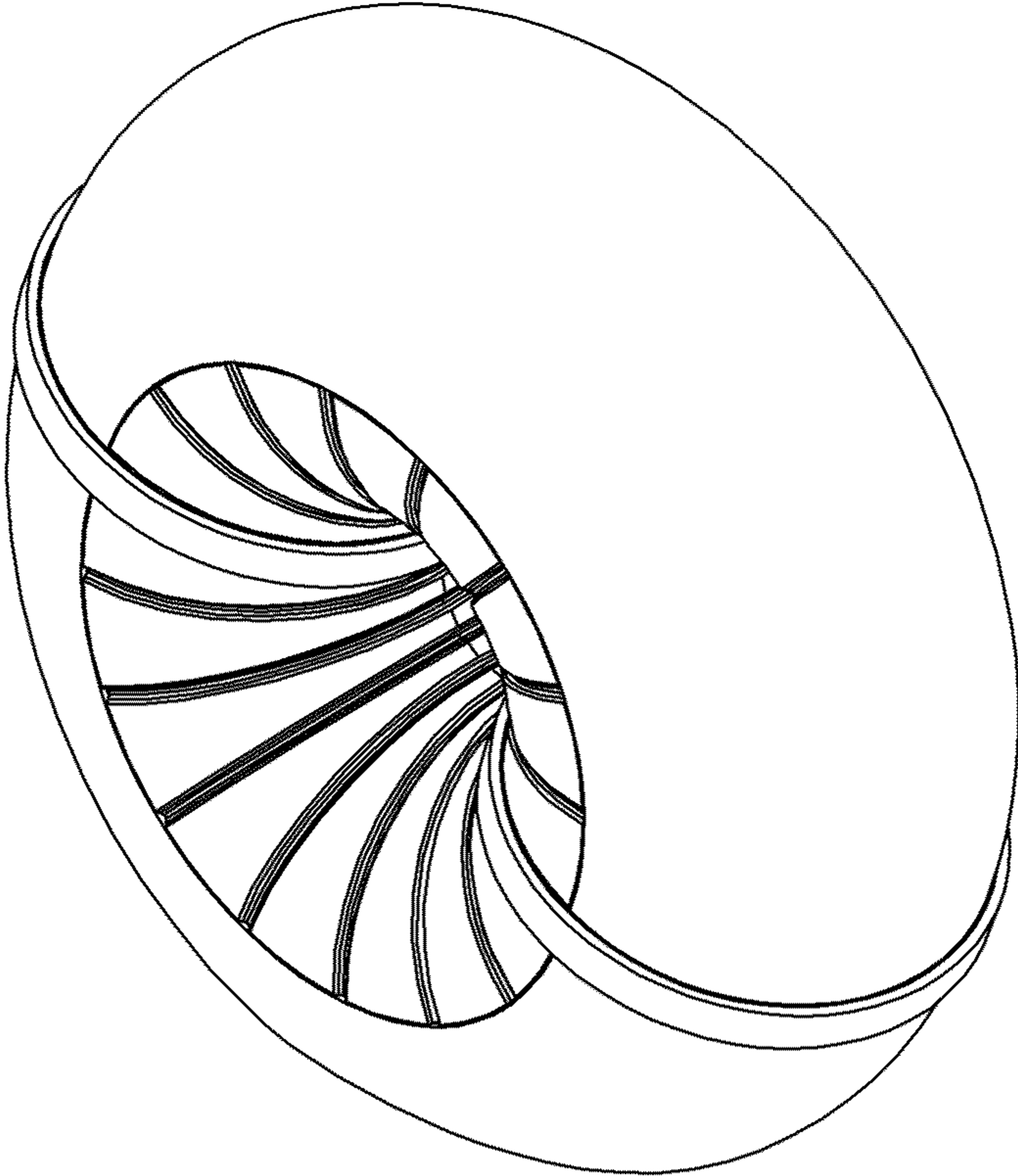


FIG. 2

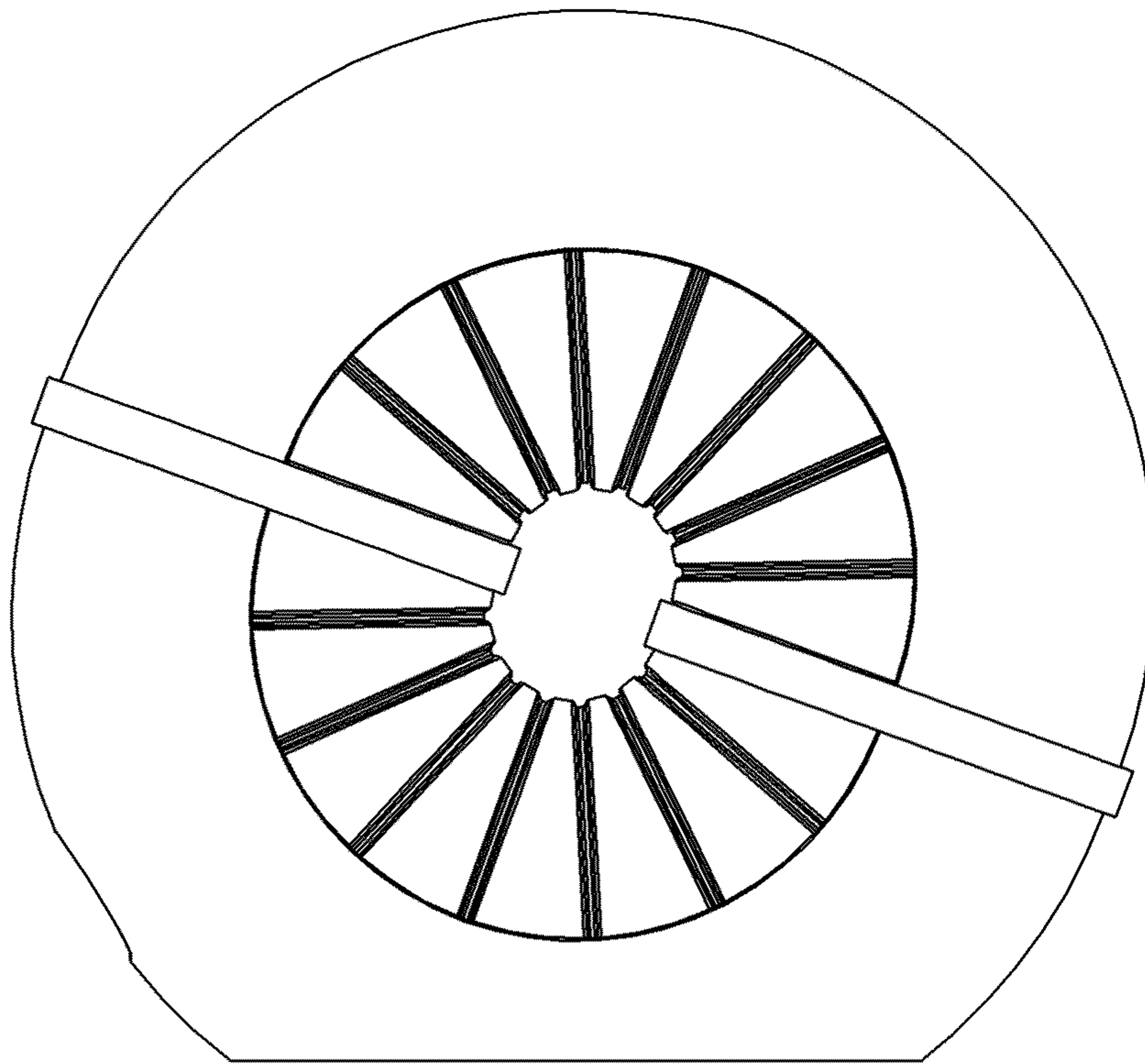


FIG. 3

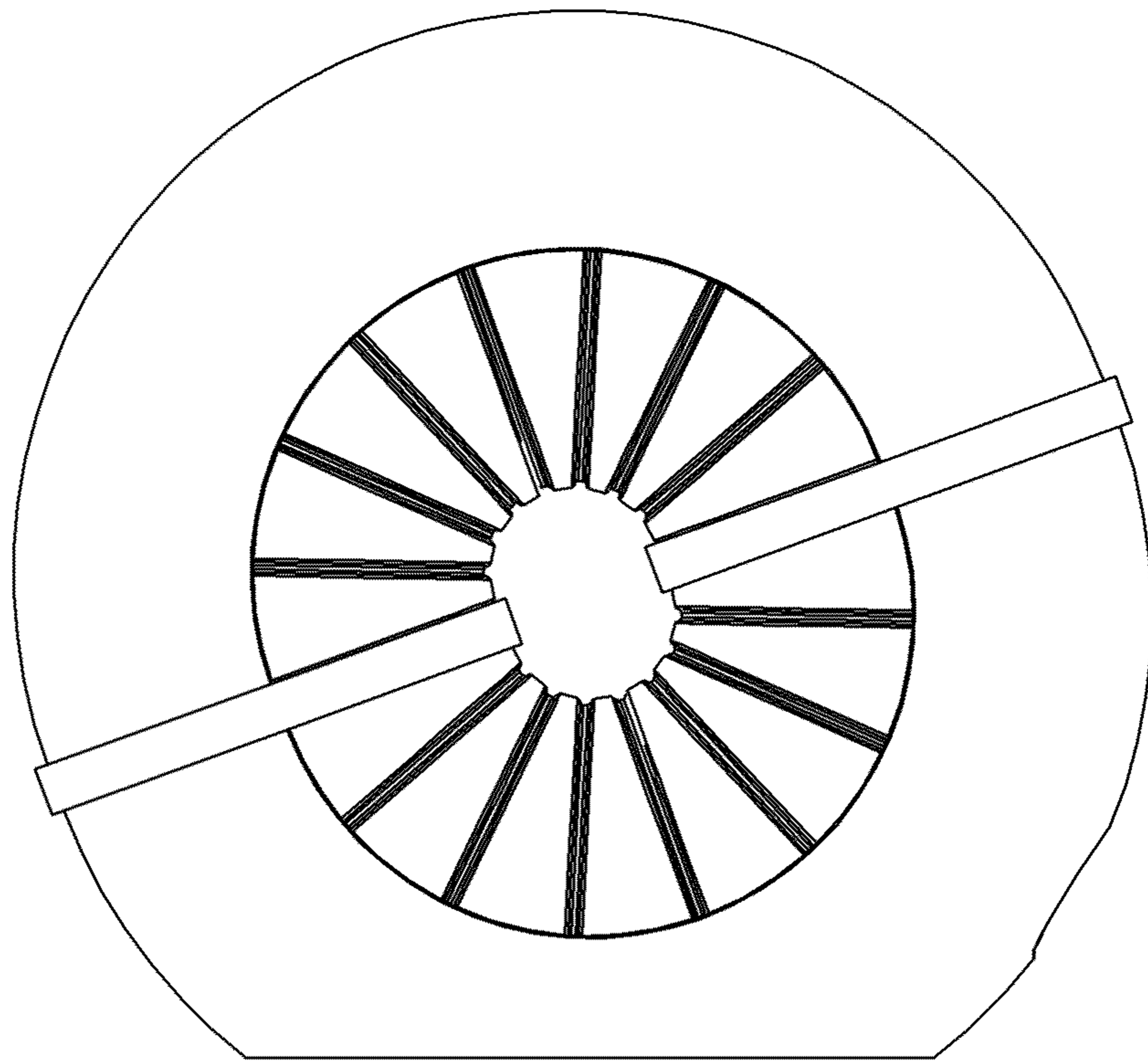


FIG. 4

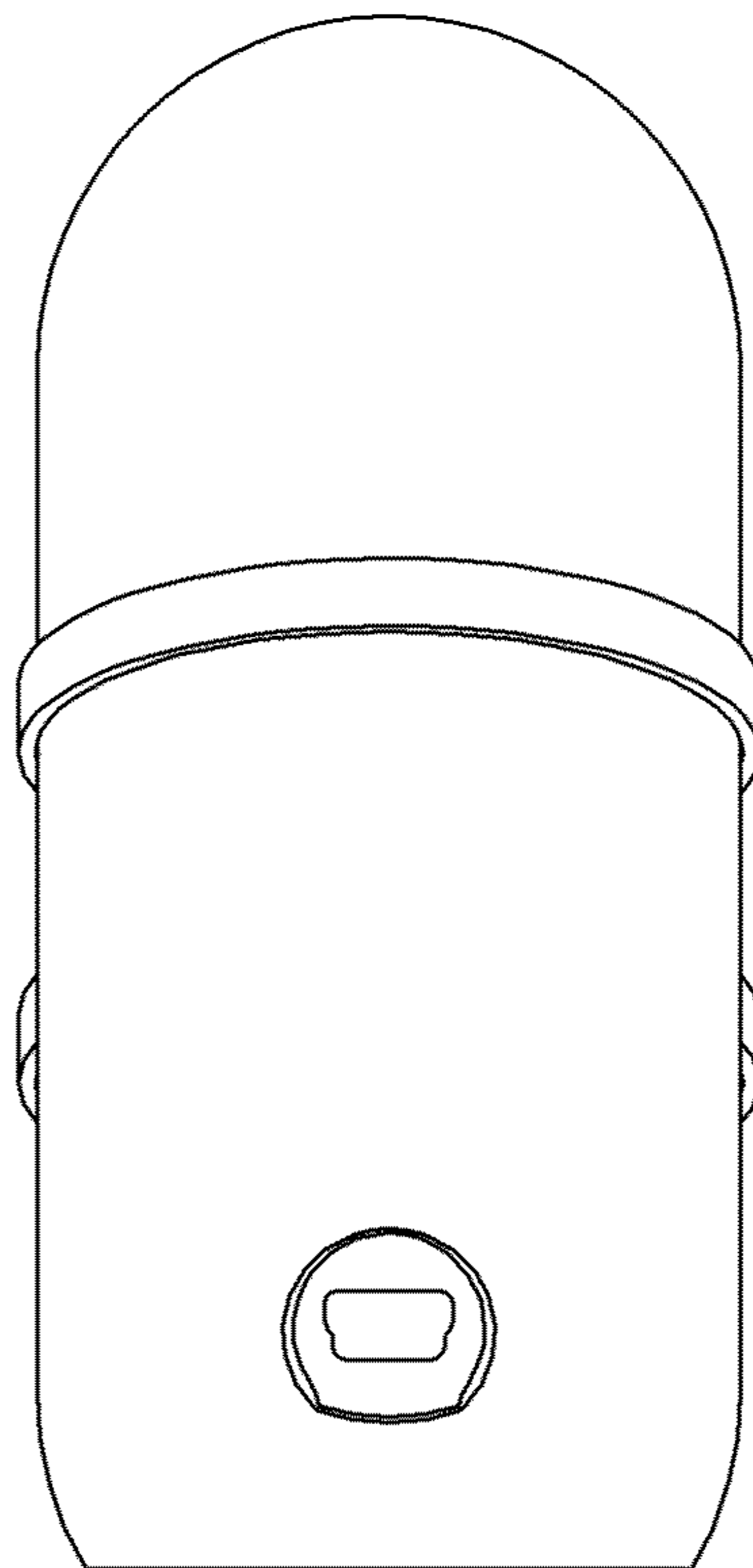


FIG. 5

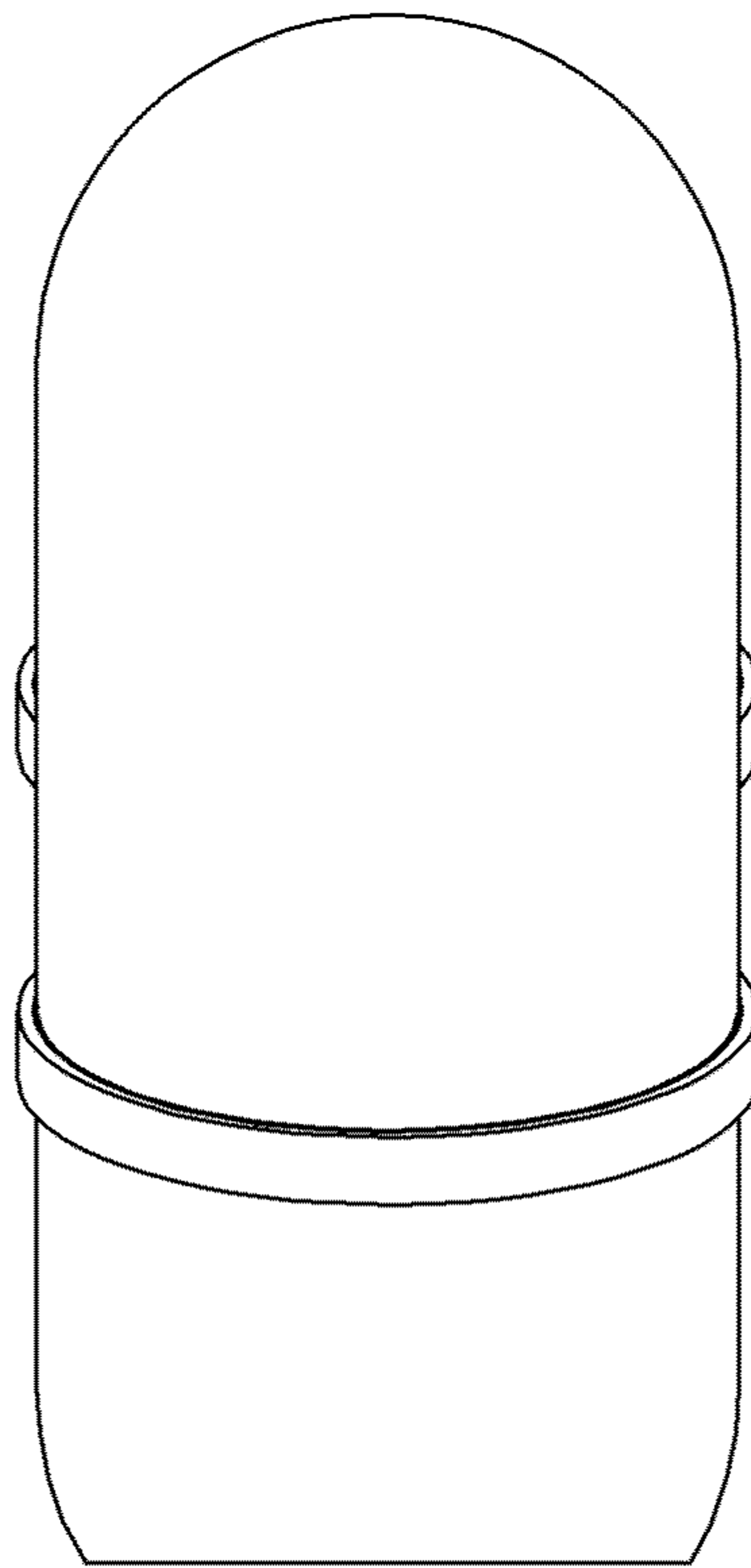


FIG. 6

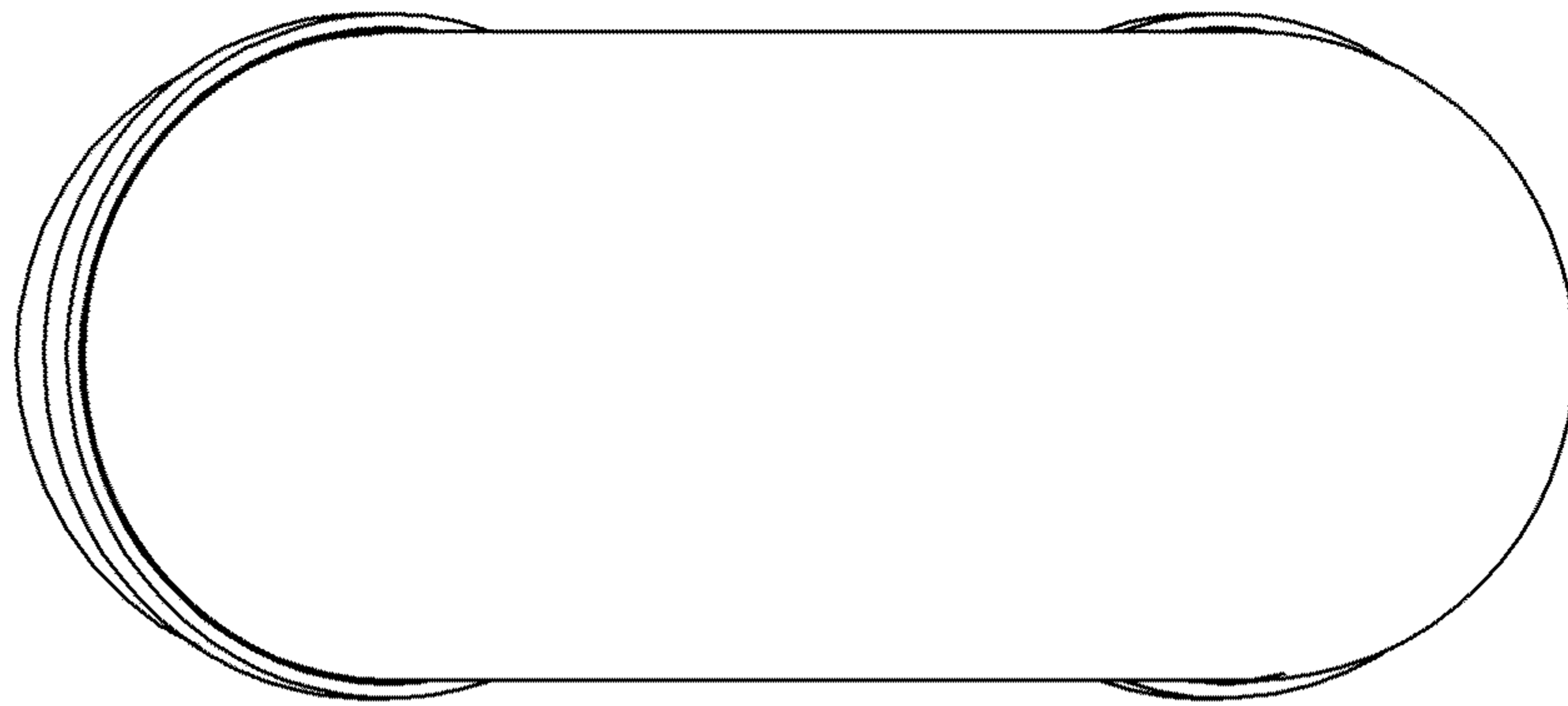


FIG. 7

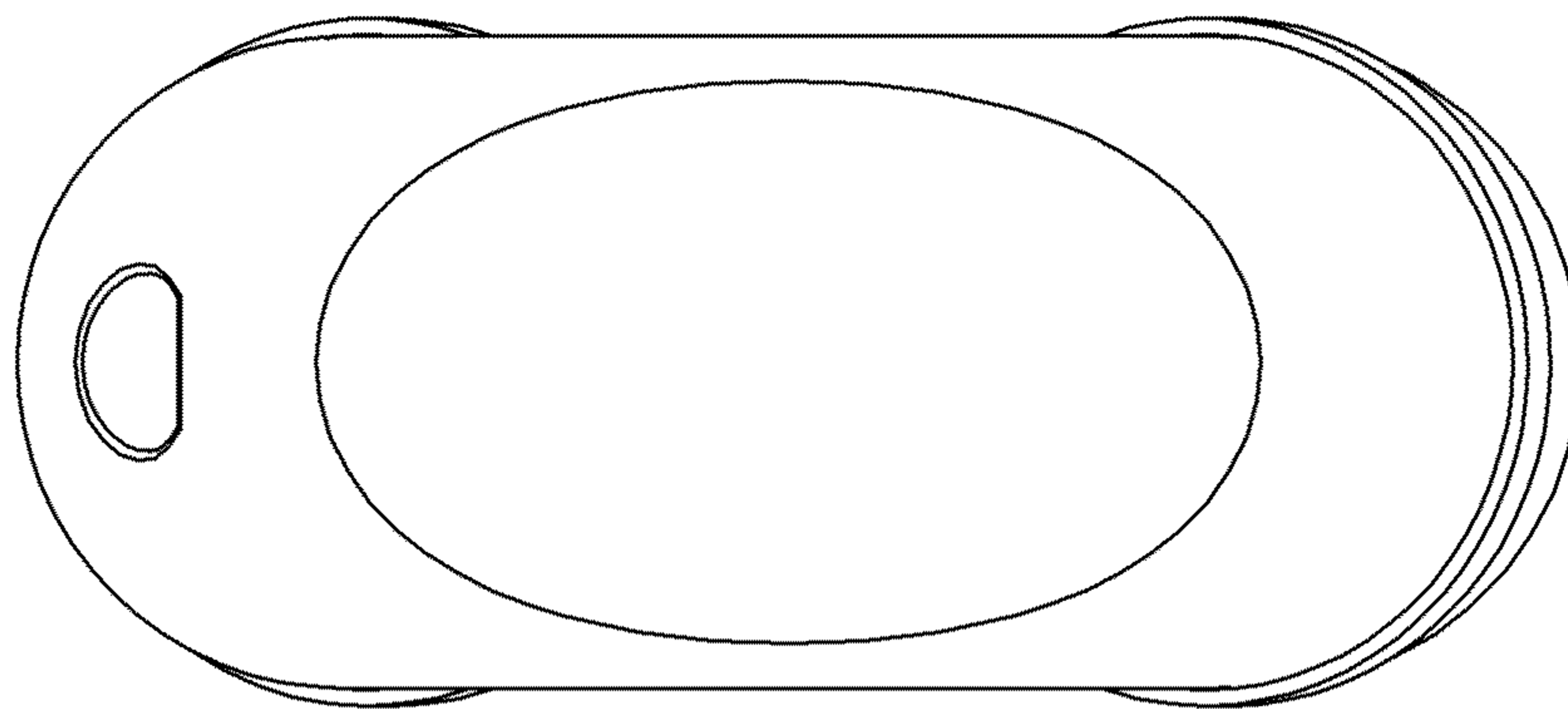


FIG. 8

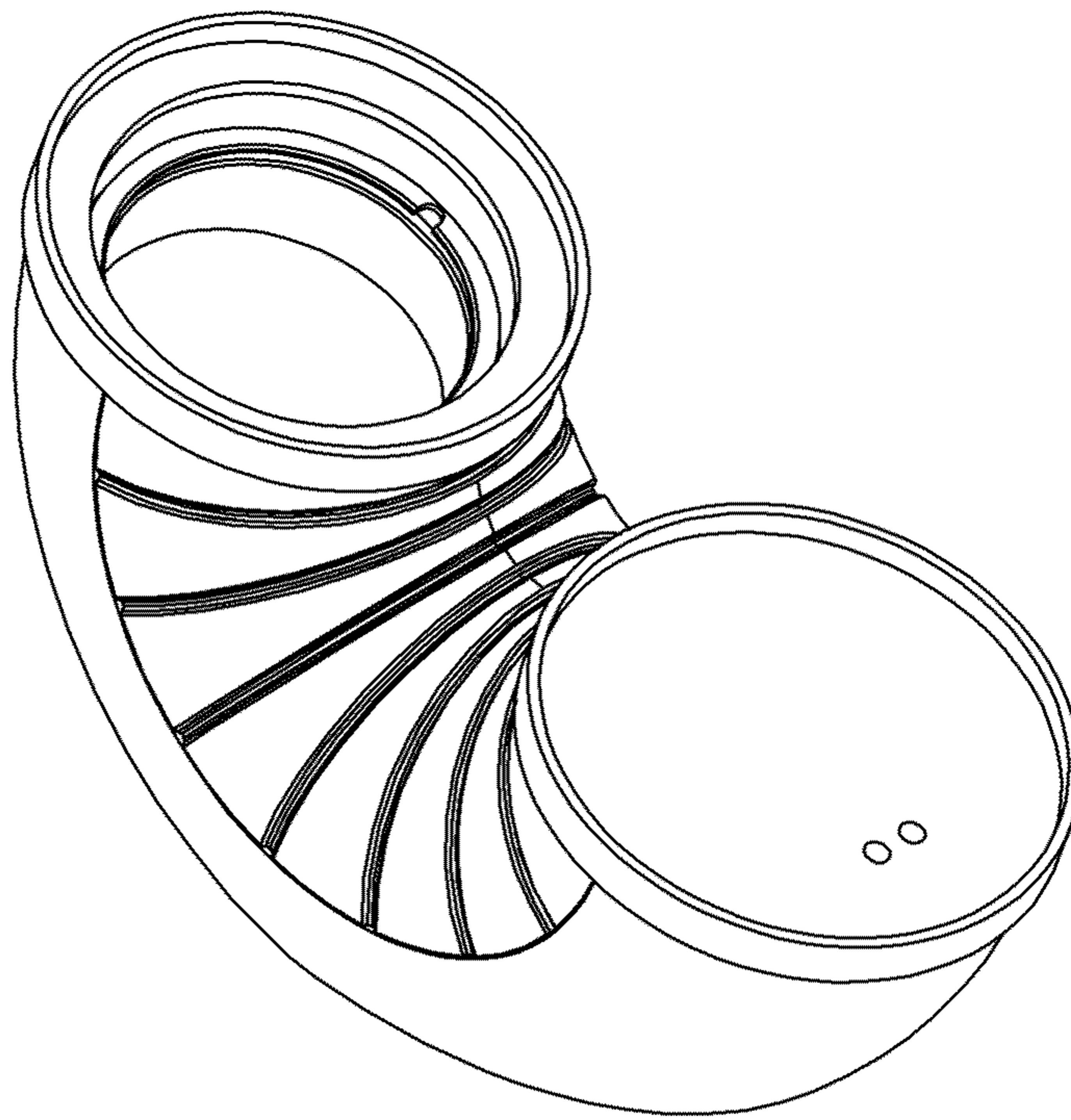


FIG. 9

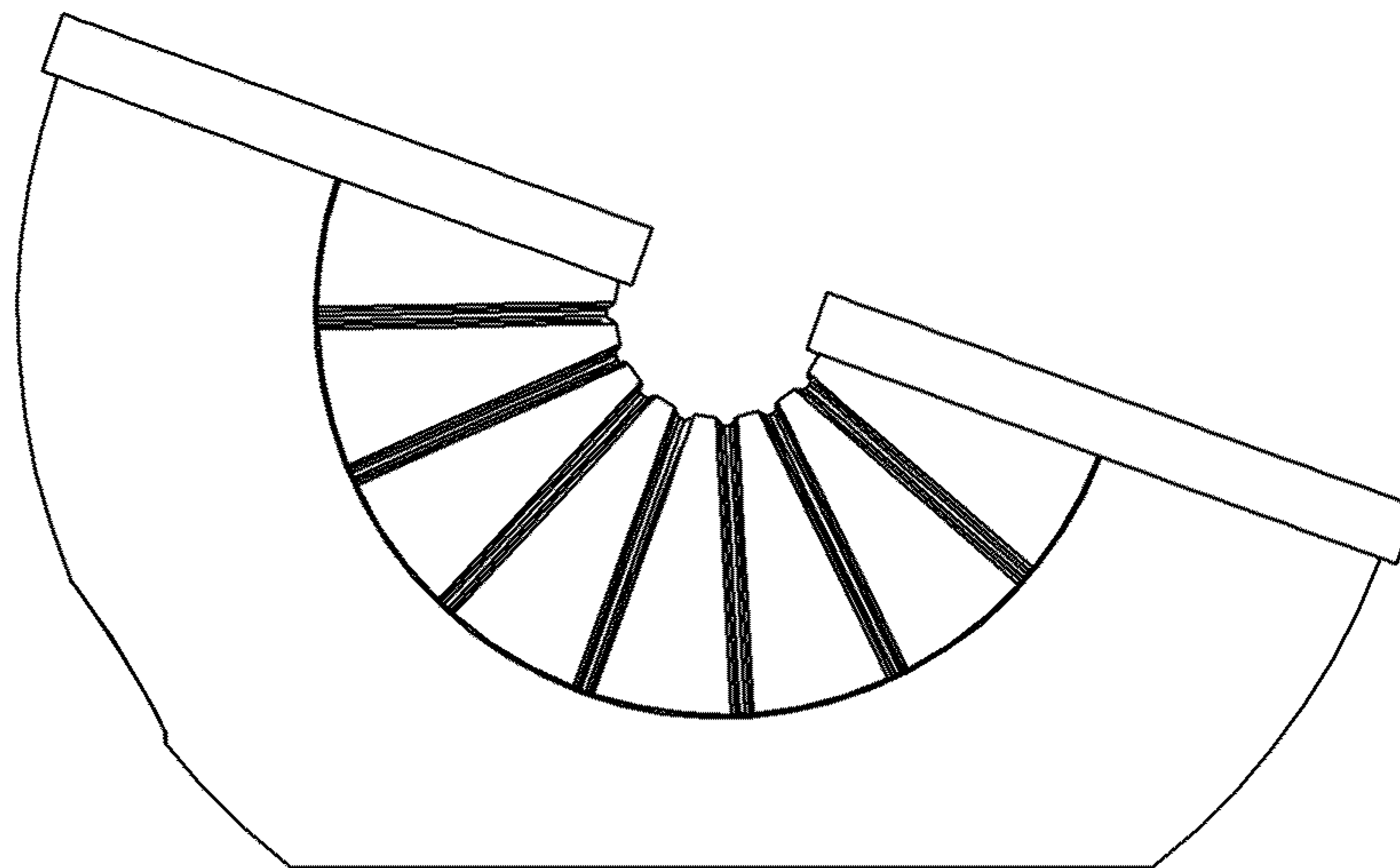


FIG. 10

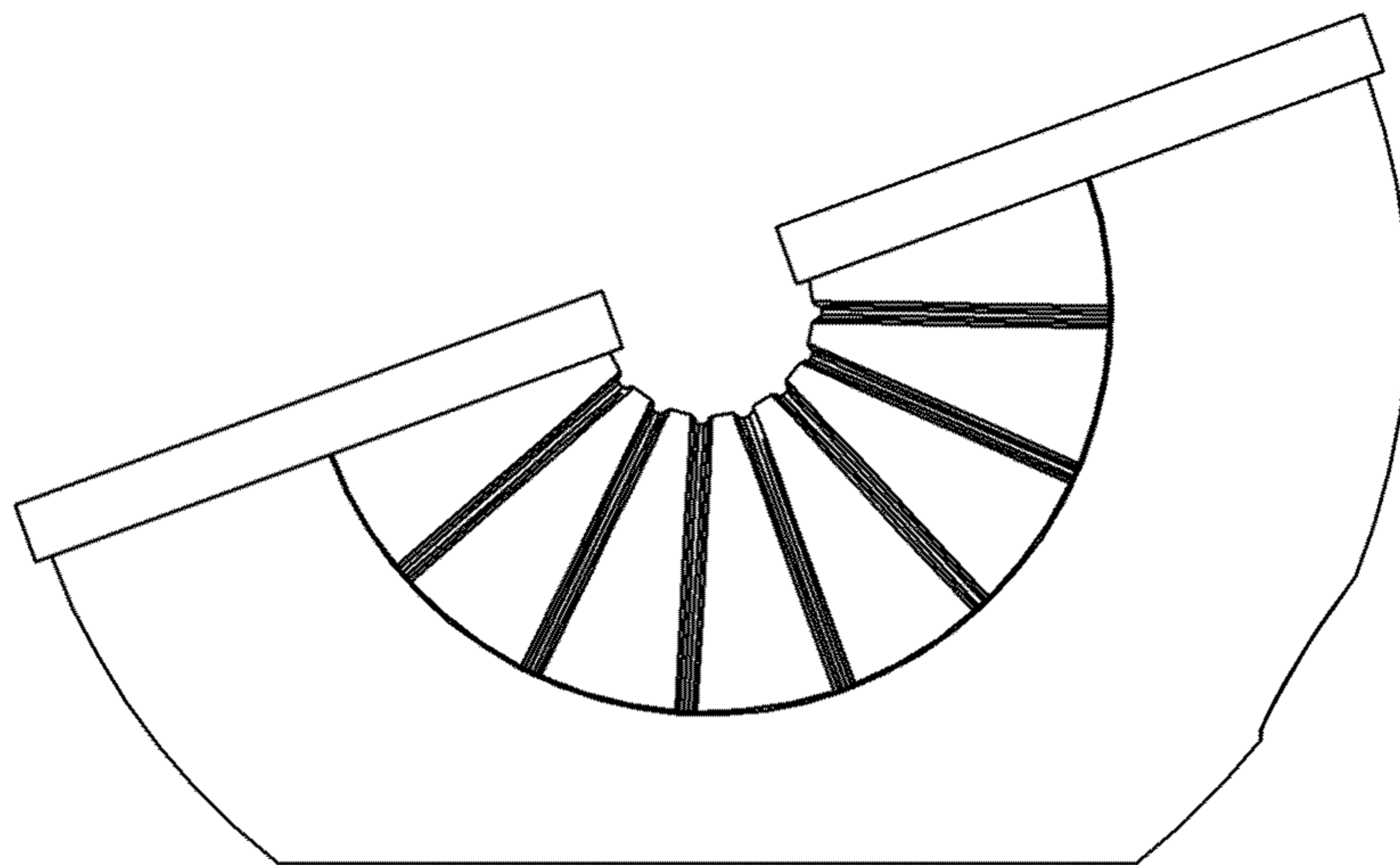


FIG. 11

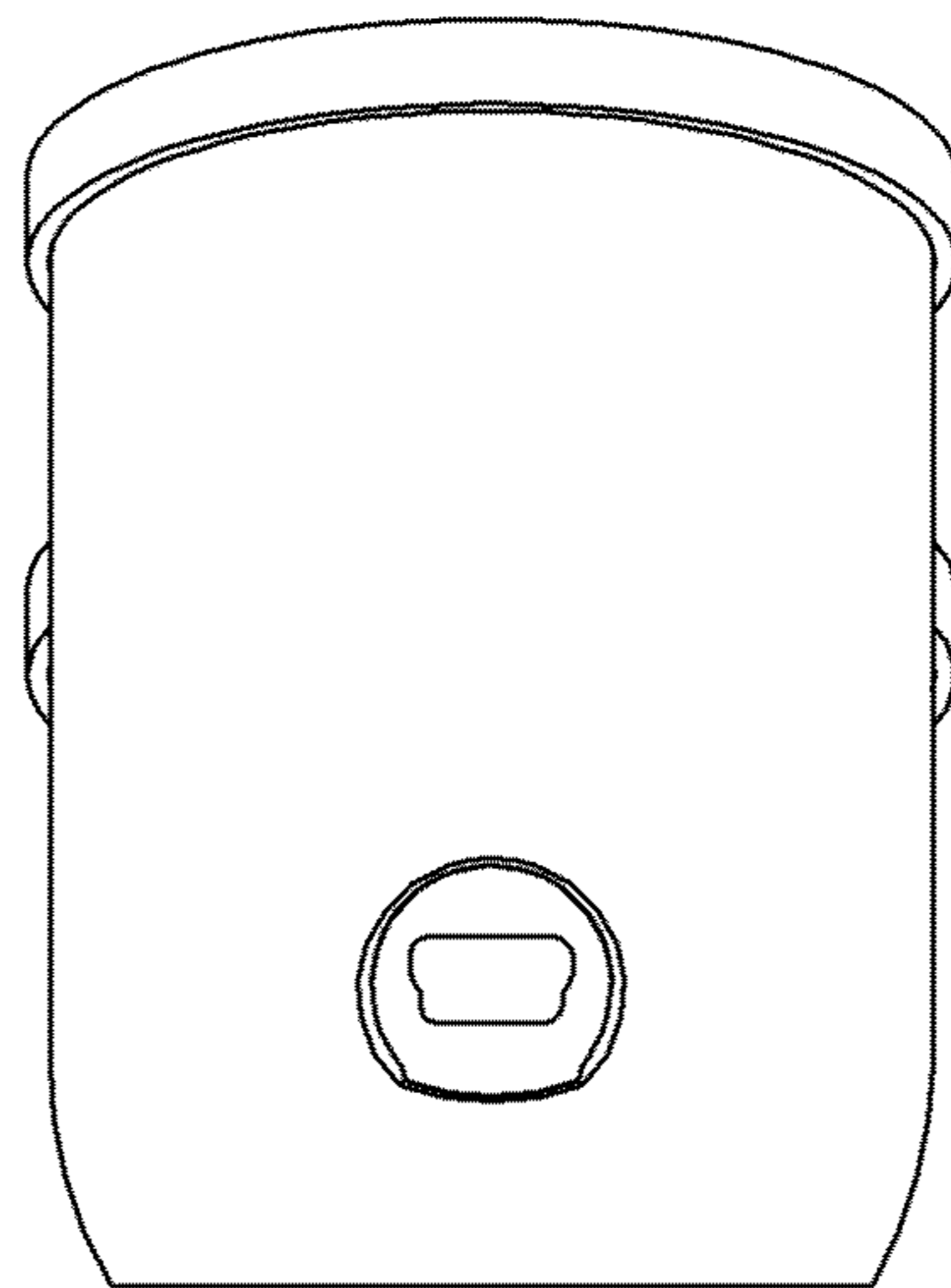


FIG. 12

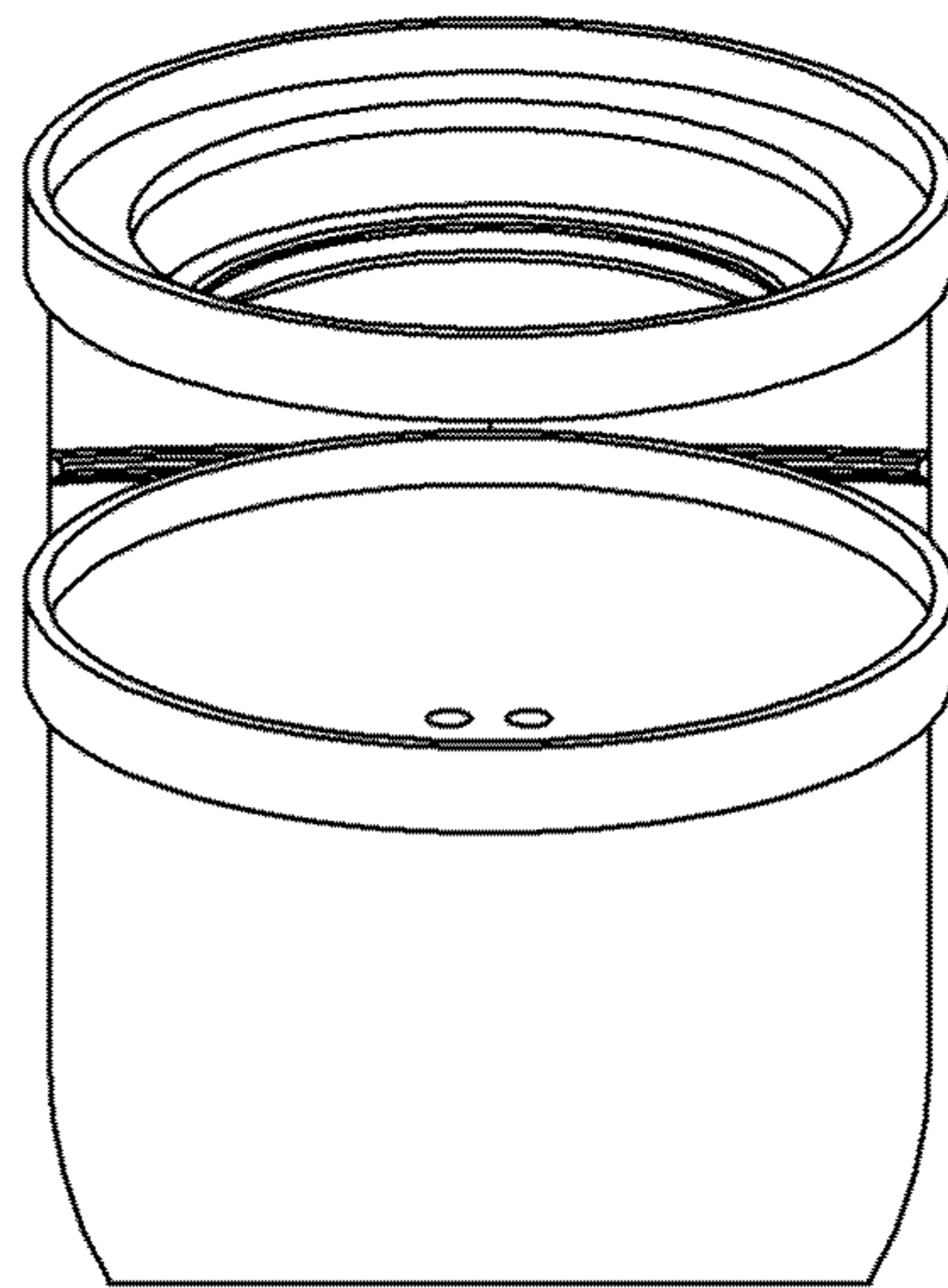


FIG. 13

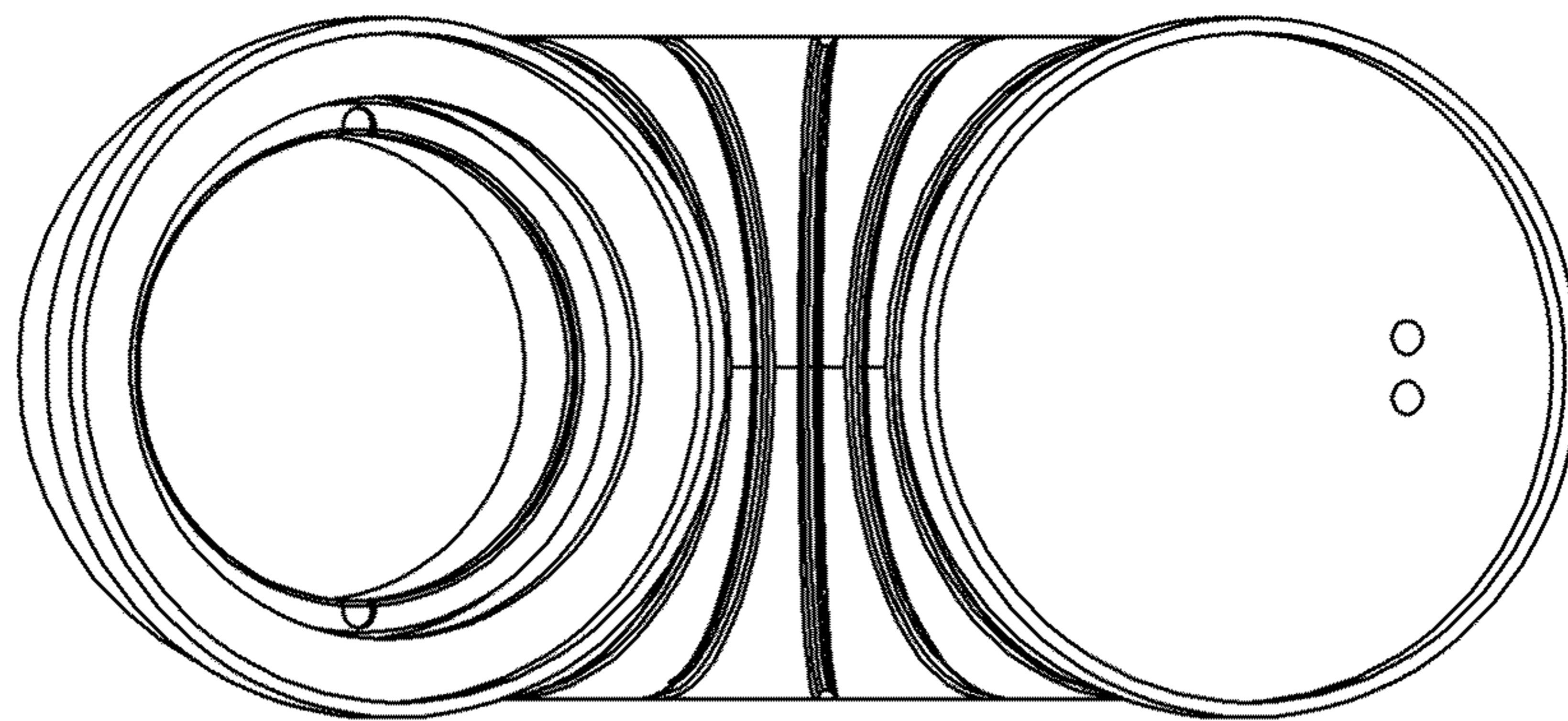


FIG. 14

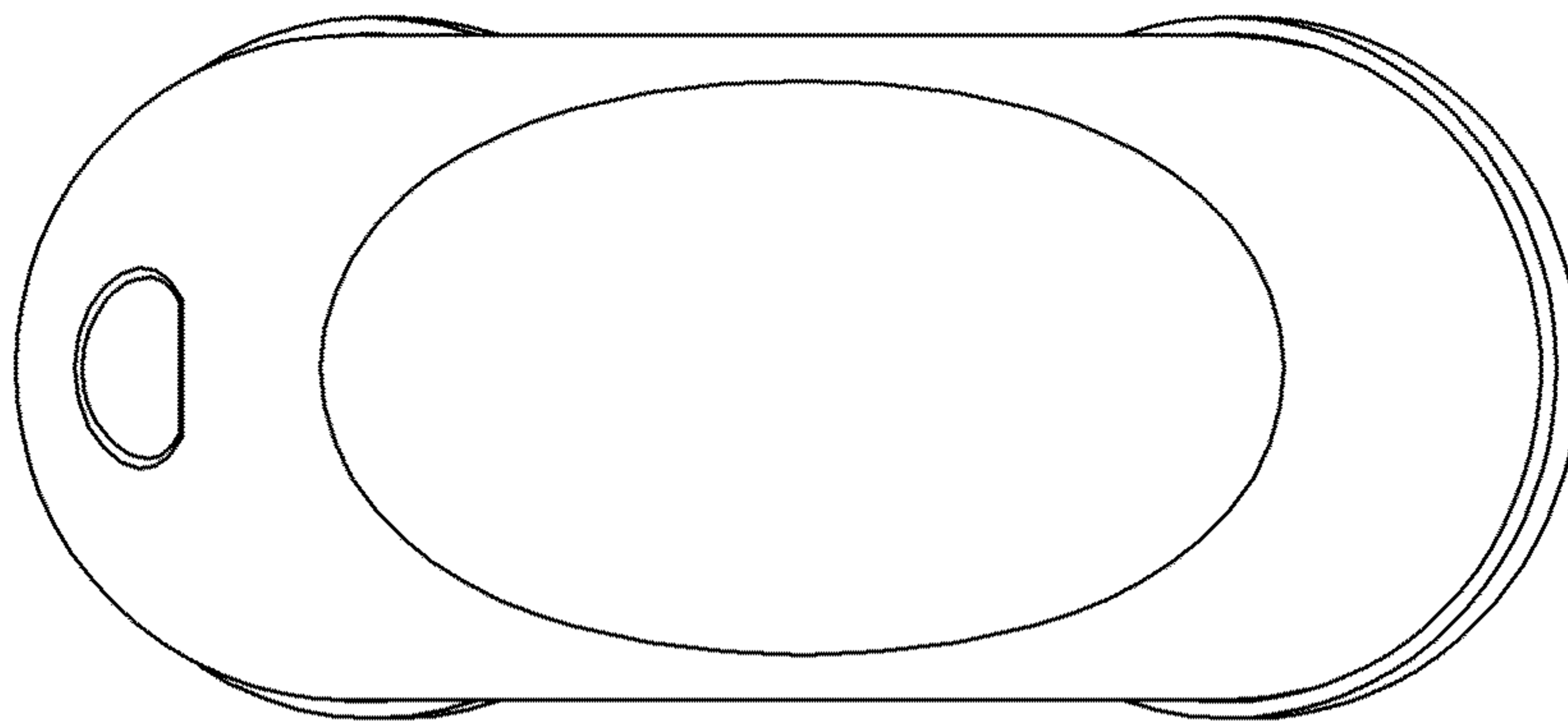


FIG. 15

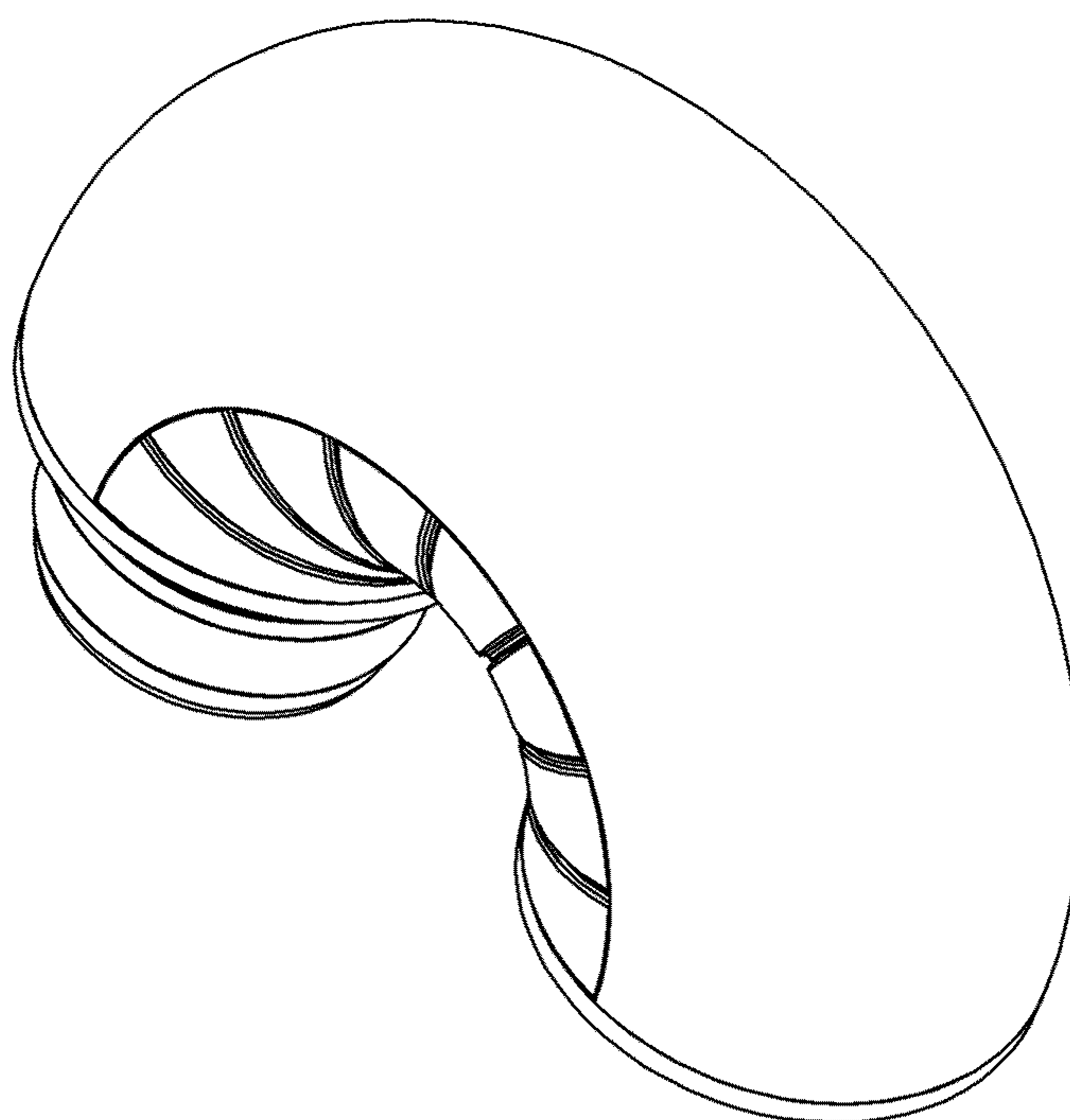


FIG. 16

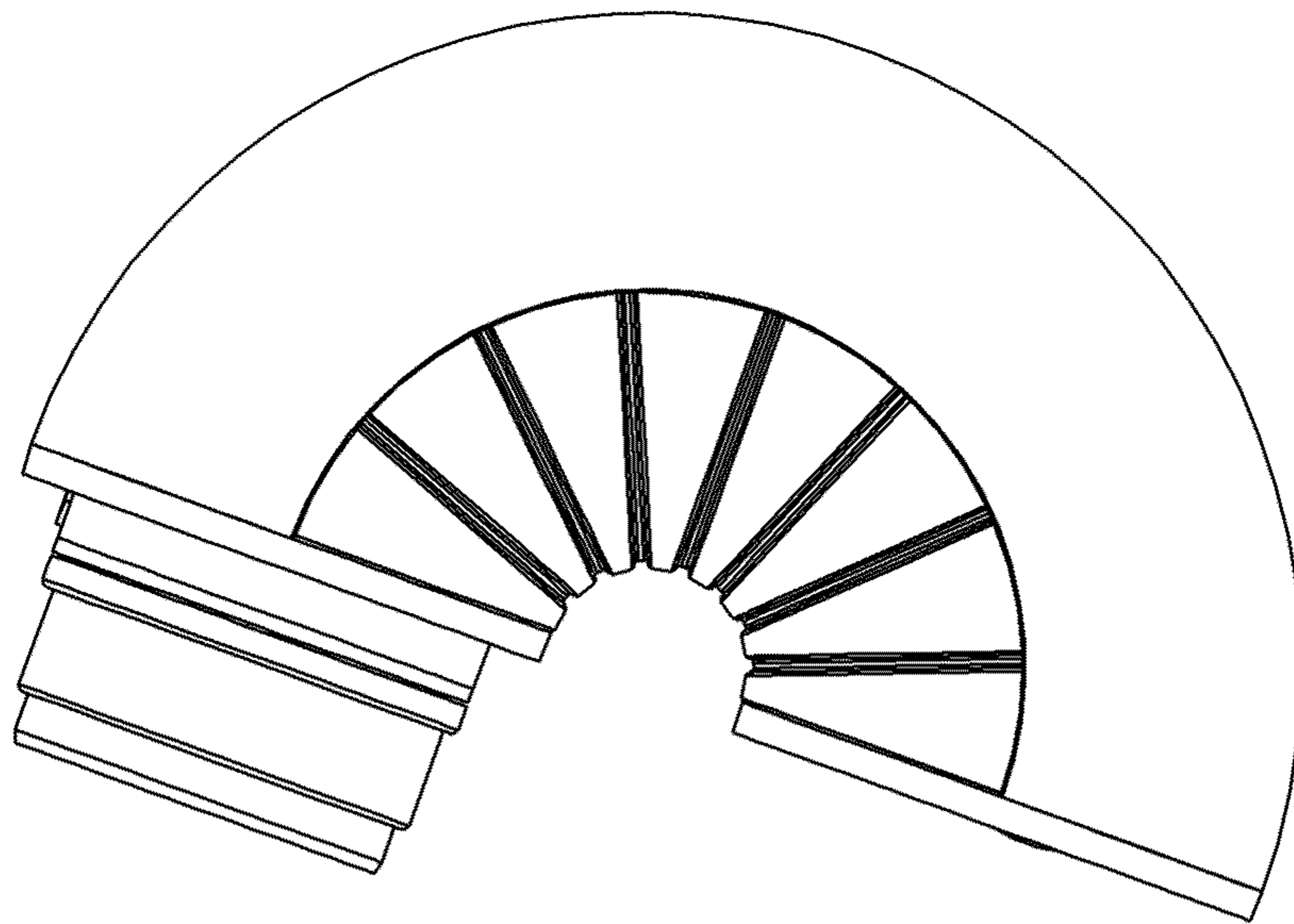


FIG. 17

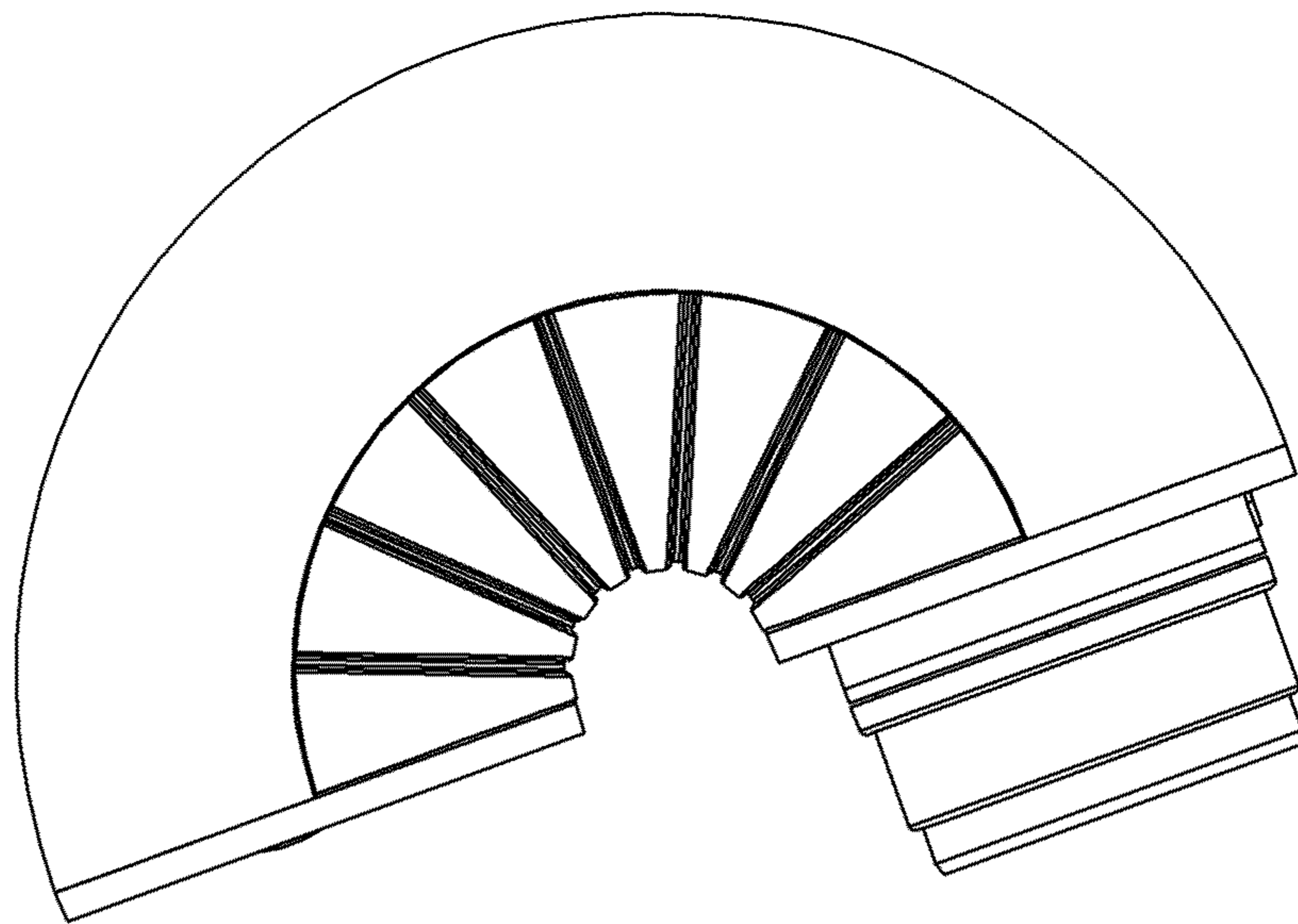


FIG. 18

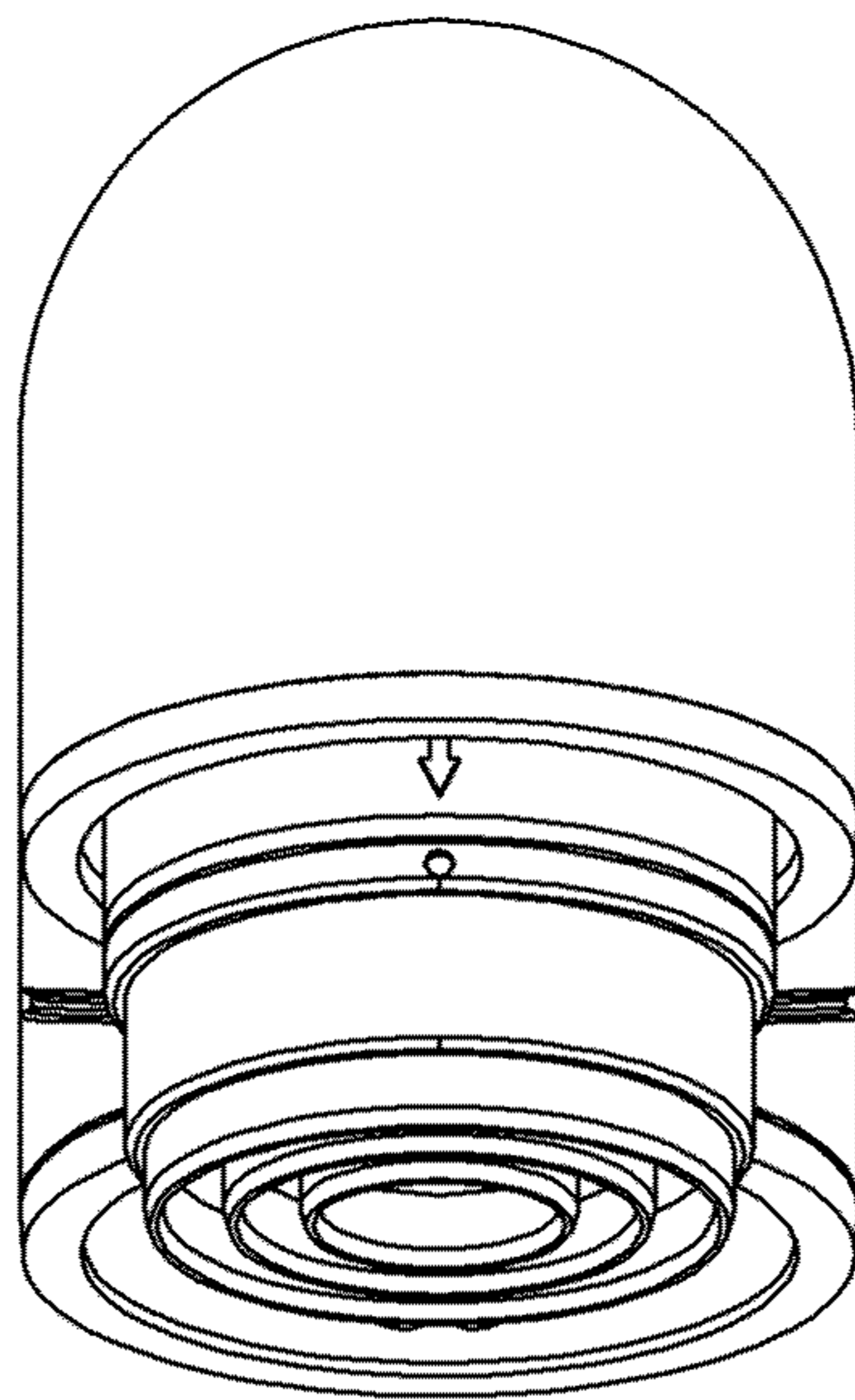


FIG. 19

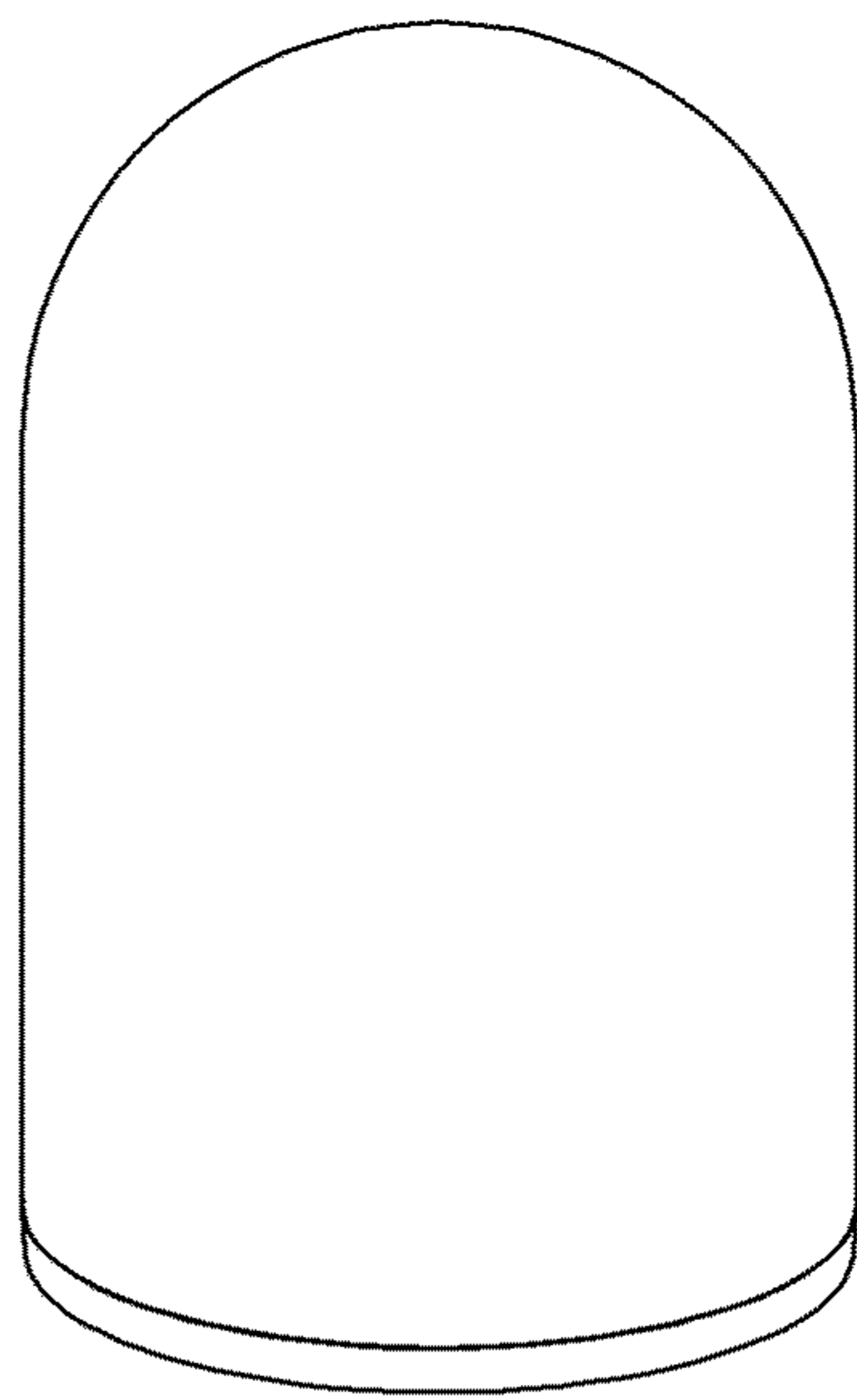


FIG. 20

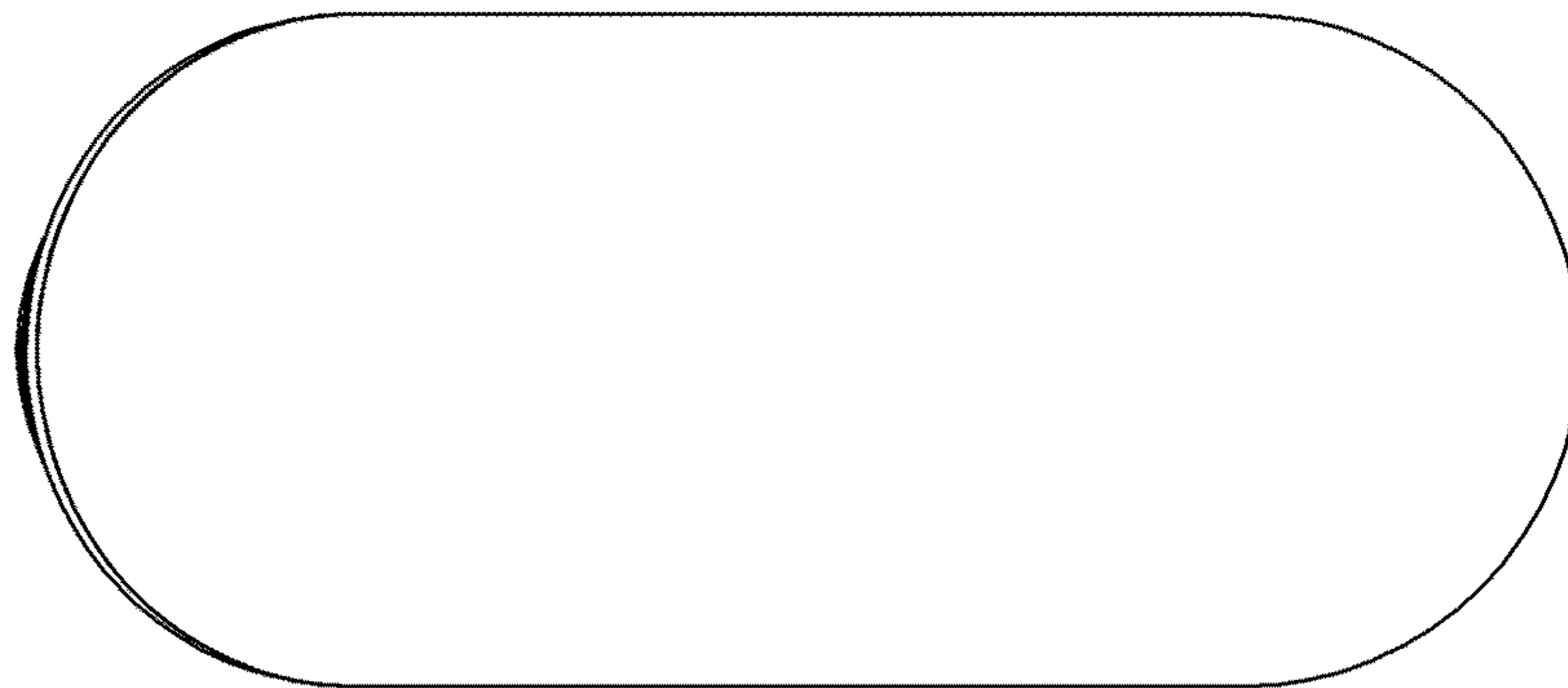


FIG. 21

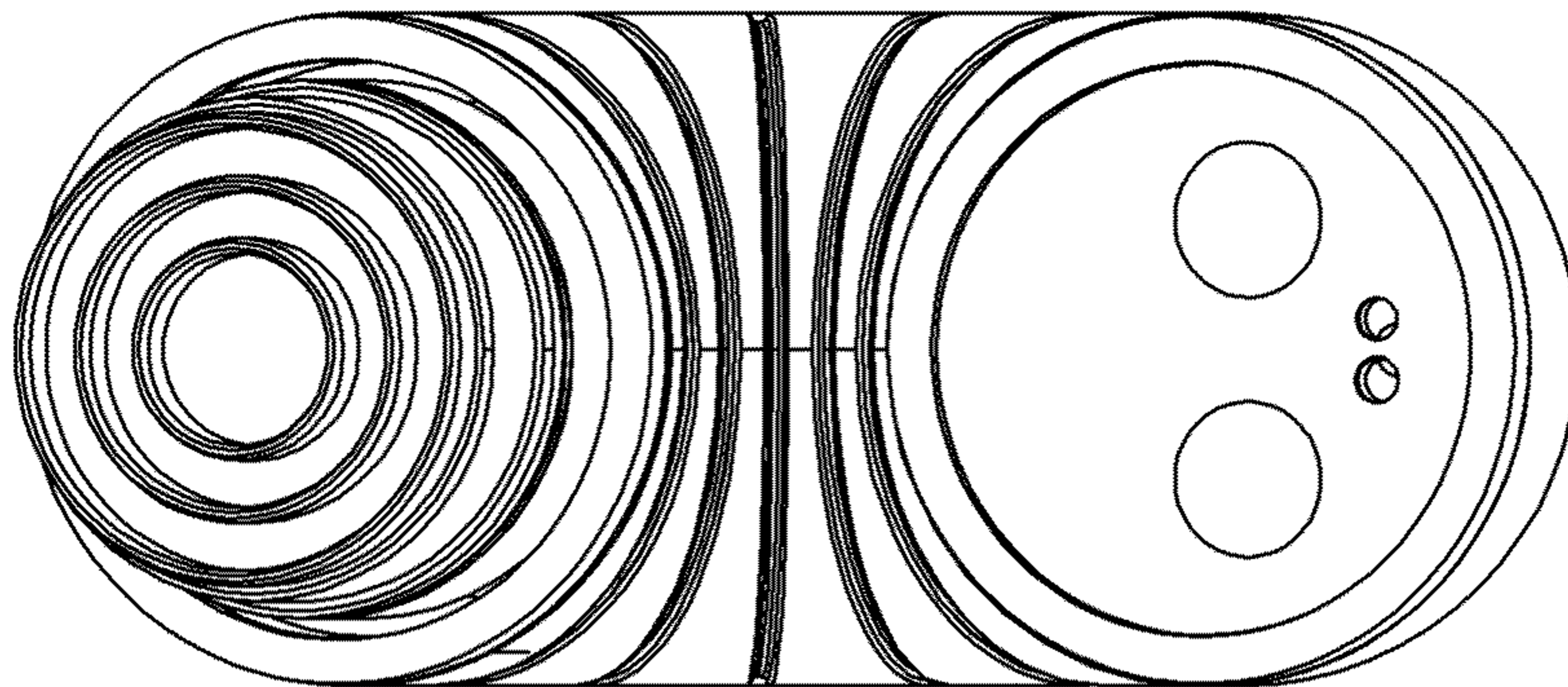


FIG. 22

