



US00D737988S

(12) **United States Design Patent**  
**Tsai et al.**

(10) **Patent No.:** **US D737,988 S**  
(45) **Date of Patent:** **\*\* Sep. 1, 2015**

(54) **BIOFEEDBACK APPARATUS WITH A  
MEDICAL LOW-FREQUENCY GENERATOR**

(71) Applicant: **Industrial Technology Research  
Institute, Hsinchu (TW)**

(72) Inventors: **Shu-Hui Tsai, Hsinchu County (TW);  
Chi-Lin Mok, Hsinchu County (TW)**

(73) Assignee: **Industrial Technology Research  
Institute, Hsinchu (TW)**

(\*\*) Term: **14 Years**

(21) Appl. No.: **29/480,194**

(22) Filed: **Jan. 24, 2014**

(30) **Foreign Application Priority Data**

Aug. 29, 2013 (TW) ..... 102305797

(51) **LOC (10) Cl.** ..... **24-01**

(52) **U.S. Cl.**  
USPC ..... **D24/200**

(58) **Field of Classification Search**  
USPC ..... D6/334, 345, 384; D8/18; D24/158,  
D24/170, 184, 186, 187, 188, 189, 190, 191,  
D24/192, 200, 211, 214; 128/858; 351/44;  
600/14; 602/17  
CPC ..... A61F 2009/0035  
See application file for complete search history.

(56) **References Cited**

**U.S. PATENT DOCUMENTS**

2,896,615	A *	7/1959	Szigeti	128/858
3,647,287	A *	3/1972	Schwind	351/245
D233,285	S *	10/1974	Gill et al.	D6/334
3,973,561	A *	8/1976	Kane	128/858
D279,960	S *	8/1985	Gavura	D9/625
D293,198	S *	12/1987	Schumacher et al.	D8/18
D303,915	S *	10/1989	Knutson	D8/18
D330,638	S *	11/1992	Moschini	D6/334

D355,490	S *	2/1995	Maynard	D24/191
D429,817	S *	8/2000	Banks	D24/190
D495,057	S *	8/2004	McCoy	D24/191
7,143,666	B1 *	12/2006	Gutierrez	81/3.55
D591,064	S *	4/2009	Lee et al.	D6/334

(Continued)

**FOREIGN PATENT DOCUMENTS**

CN	2408893	12/2000
CN	1739817	3/2006

(Continued)

**OTHER PUBLICATIONS**

“Notice of Allowance of Taiwan Counterpart Application”, issued on Mar. 18, 2014, p. 1-p. 5, in which the listed references were cited.

(Continued)

*Primary Examiner* — Robert M Spear

*Assistant Examiner* — Darcey E Heflin

(74) *Attorney, Agent, or Firm* — Jianq Chyun IP Office

(57) **CLAIM**

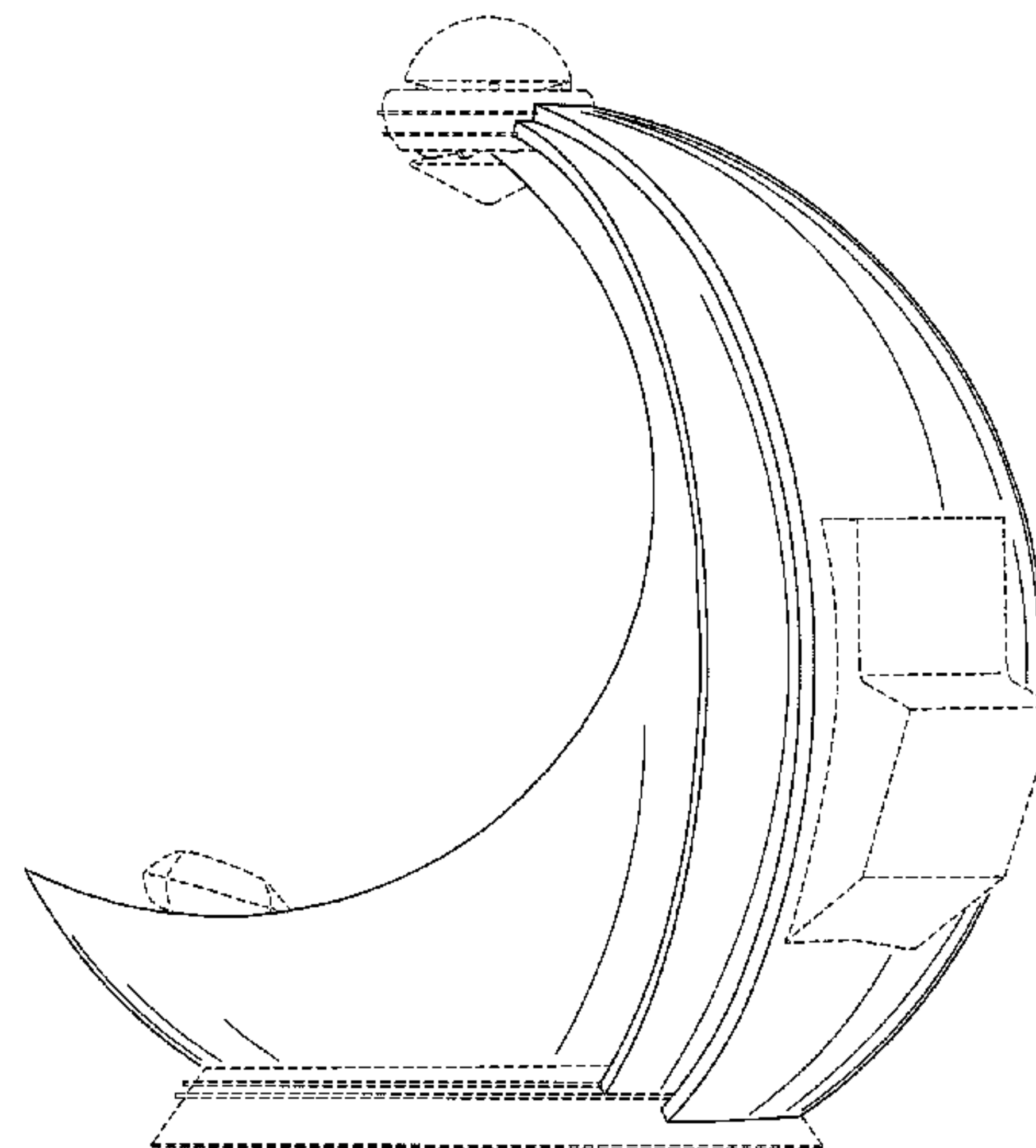
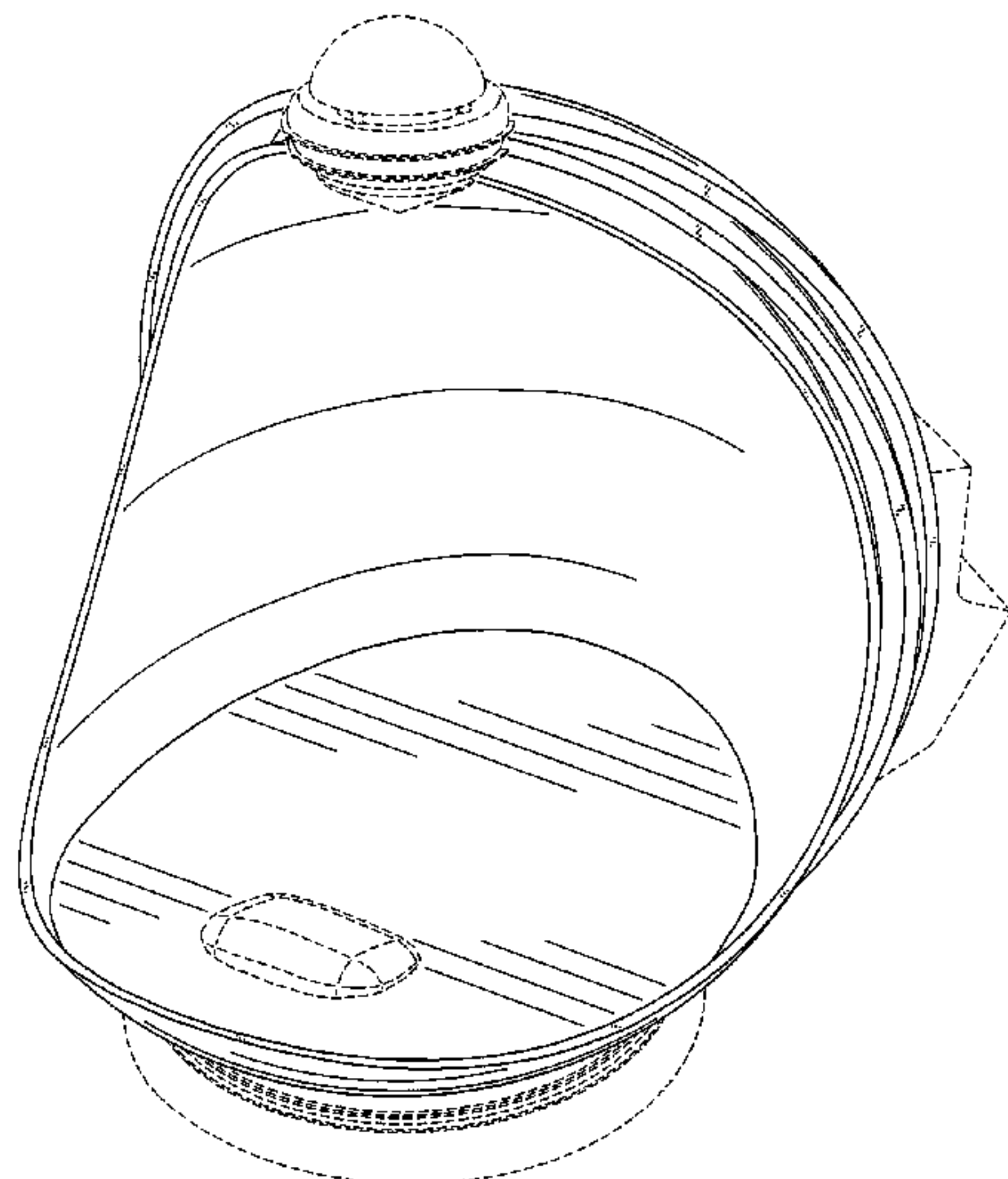
The ornamental design for a biofeedback apparatus with a medical low-frequency generator, as shown and described.

**DESCRIPTION**

FIG. 1 is a perspective view of a biofeedback apparatus with a medical low-frequency generator showing our new design; FIG. 2 is a front view thereof; FIG. 3 is a rear view thereof; FIG. 4 is a left side view thereof; FIG. 5 is a right side view thereof; FIG. 6 is a top view thereof; and, FIG. 7 is a bottom view thereof.

The broken line portions of the biofeedback apparatus with the medical low-frequency generator in FIGS. 1-7 represent unclaimed portions of the claimed design and form no part thereof.

**1 Claim, 7 Drawing Sheets**



(56)

**References Cited**

U.S. PATENT DOCUMENTS

D616,555 S \* 5/2010 Thorgilsdottir et al. .... D24/191  
D648,028 S \* 11/2011 Yokoyama et al. .... D24/158  
D651,005 S \* 12/2011 Wodecki ..... D6/358  
D719,657 S \* 12/2014 Yamada ..... D24/158  
2003/0195383 A1 10/2003 Yoon

FOREIGN PATENT DOCUMENTS

CN 101428163 5/2009  
CN 101623532 1/2010

CN 201379899 1/2010  
JP D1473192 6/2013  
TW D152308 3/2013

OTHER PUBLICATIONS

“Office Action of China Counterpart Application”, issued on Jun. 5, 2014, p. 1-p. 5, in which the listed references were cited.

\* cited by examiner

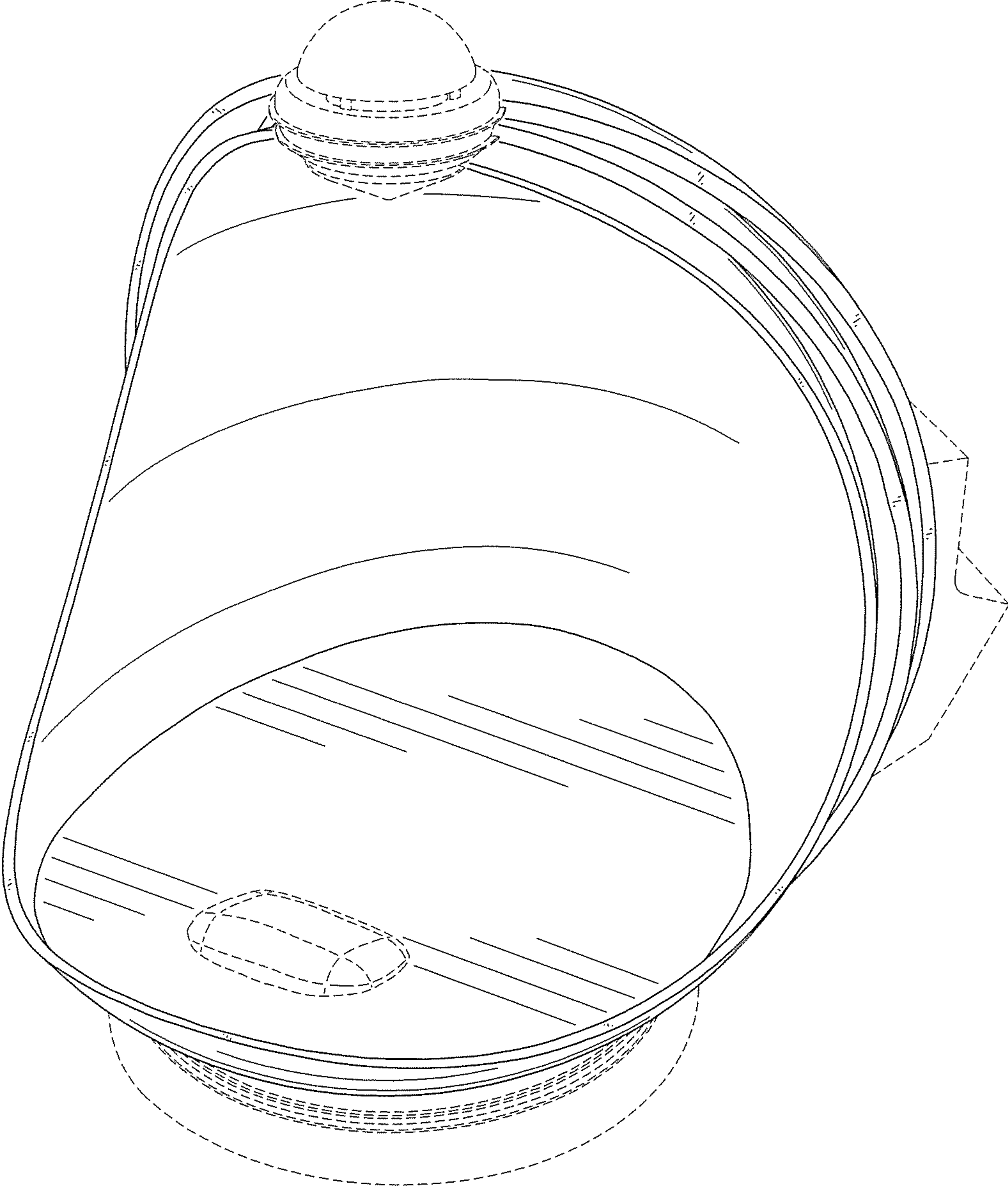


FIG. 1

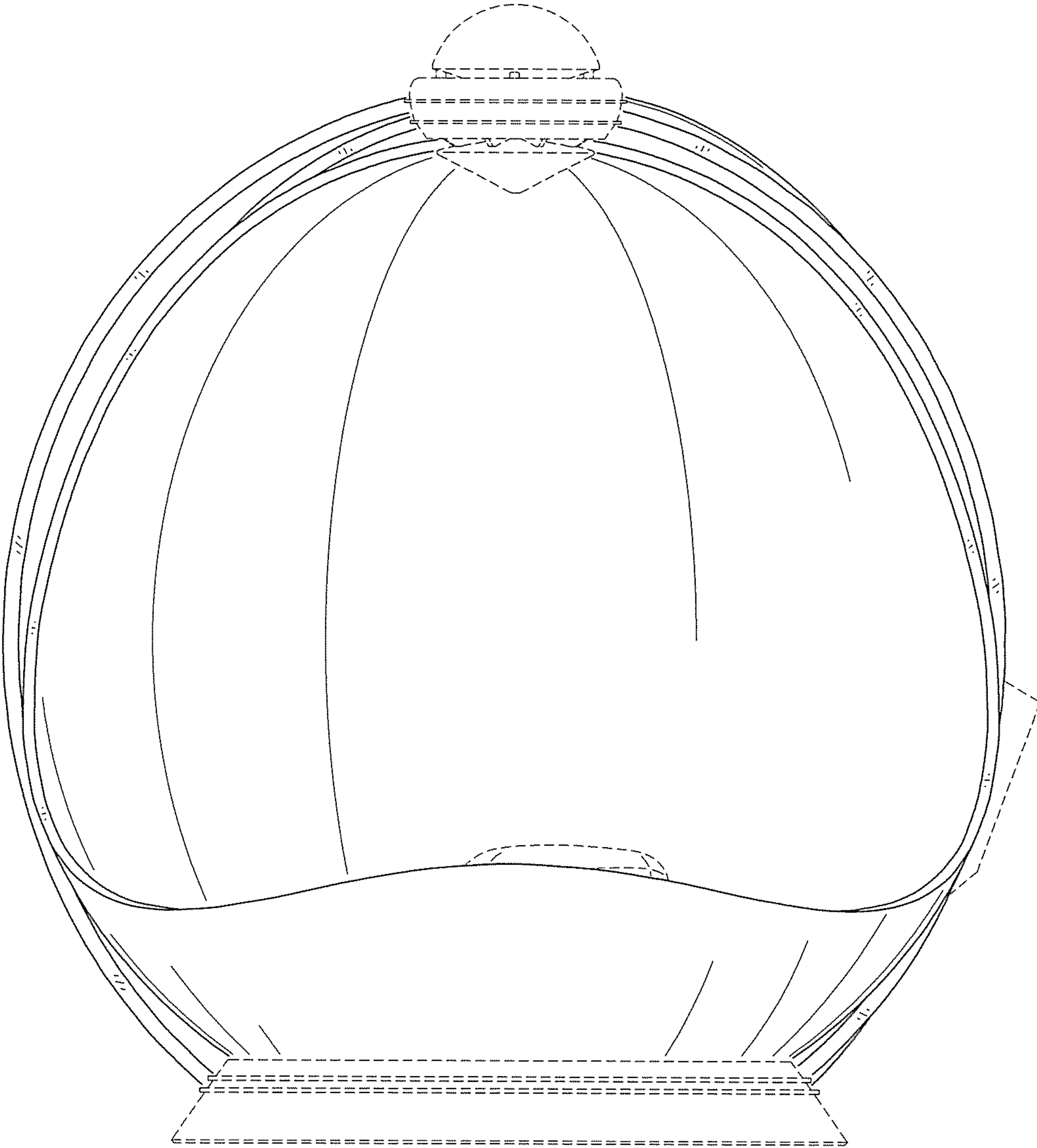


FIG. 2



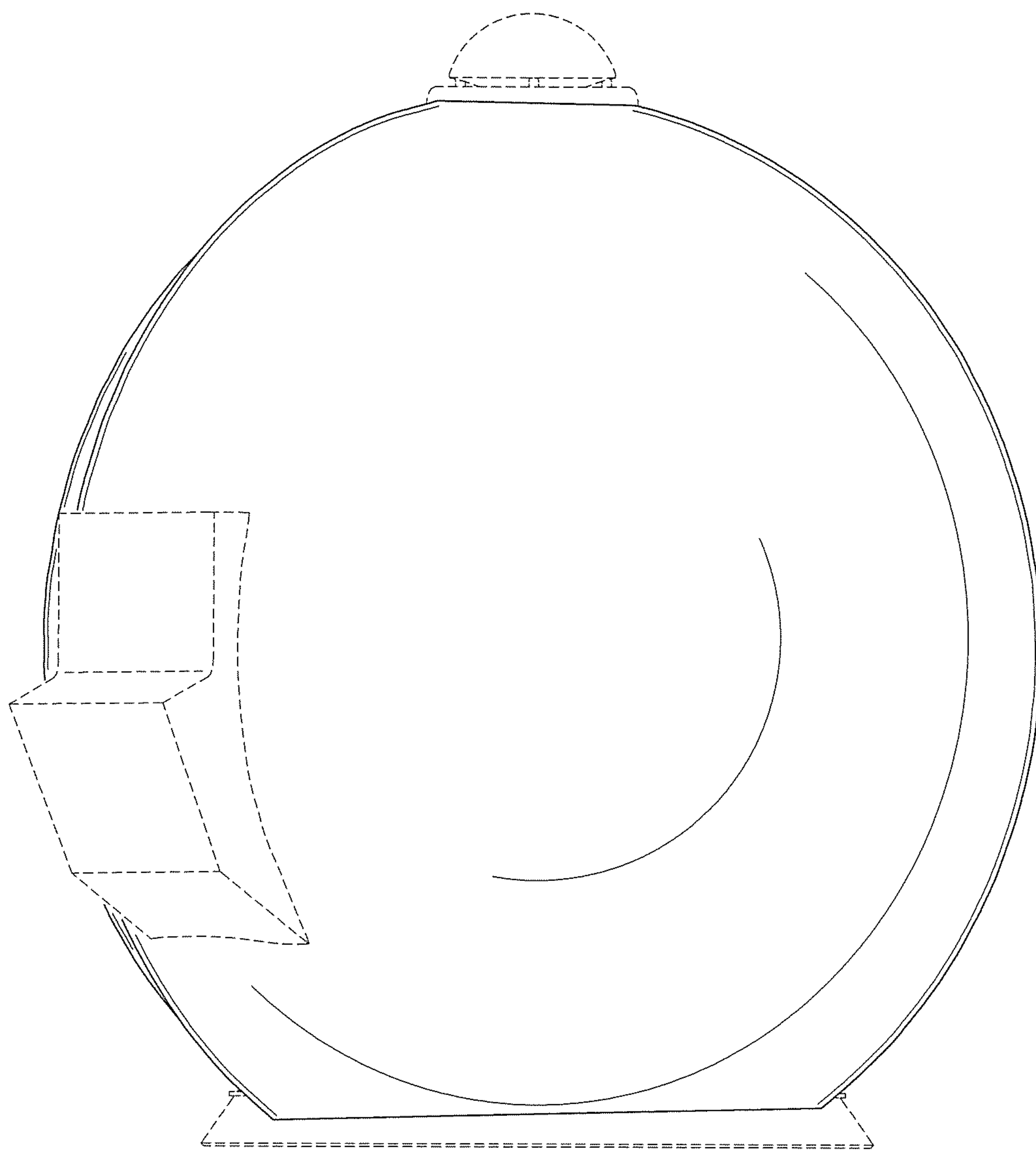


FIG. 3

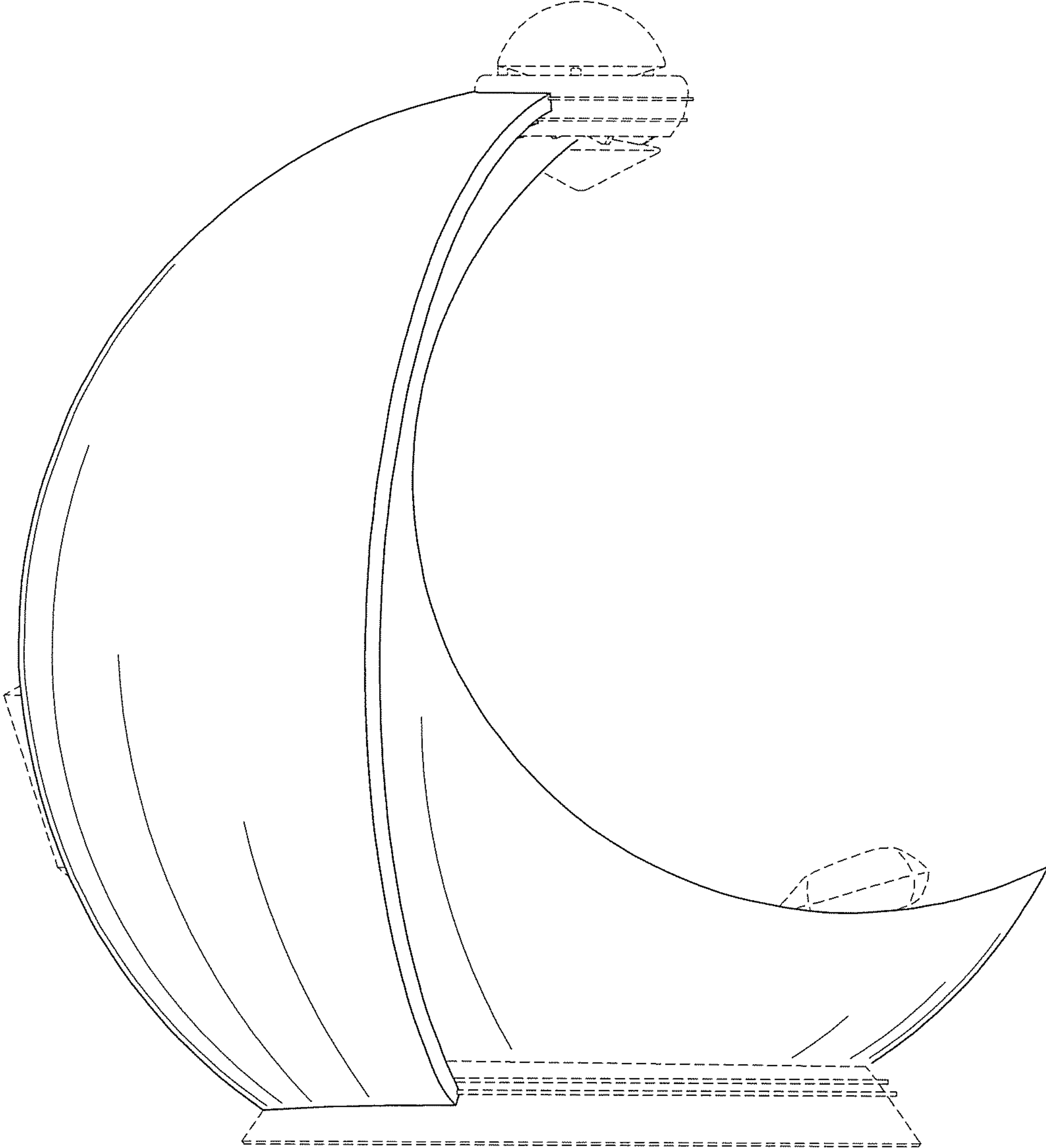


FIG. 4

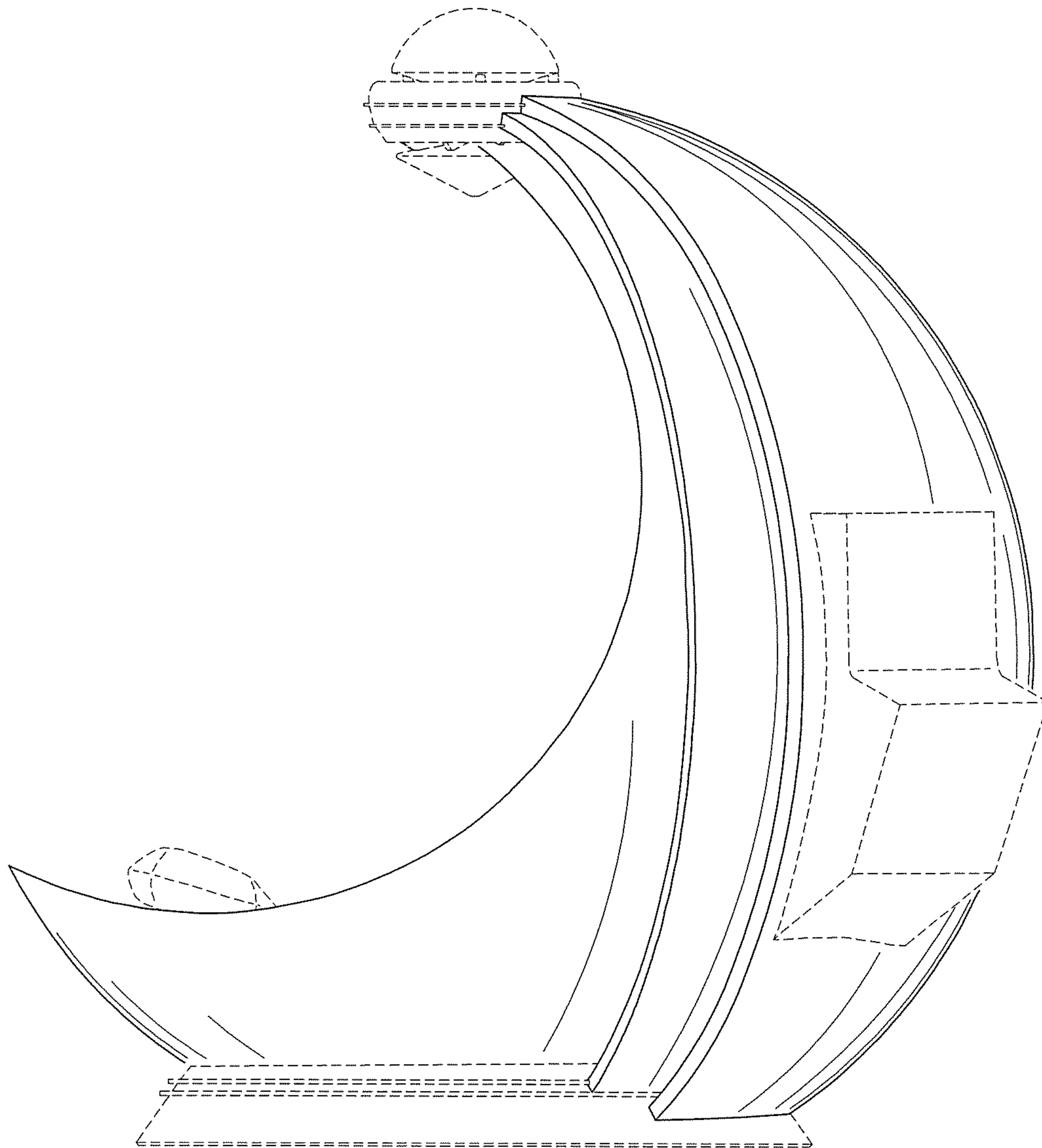


FIG. 5

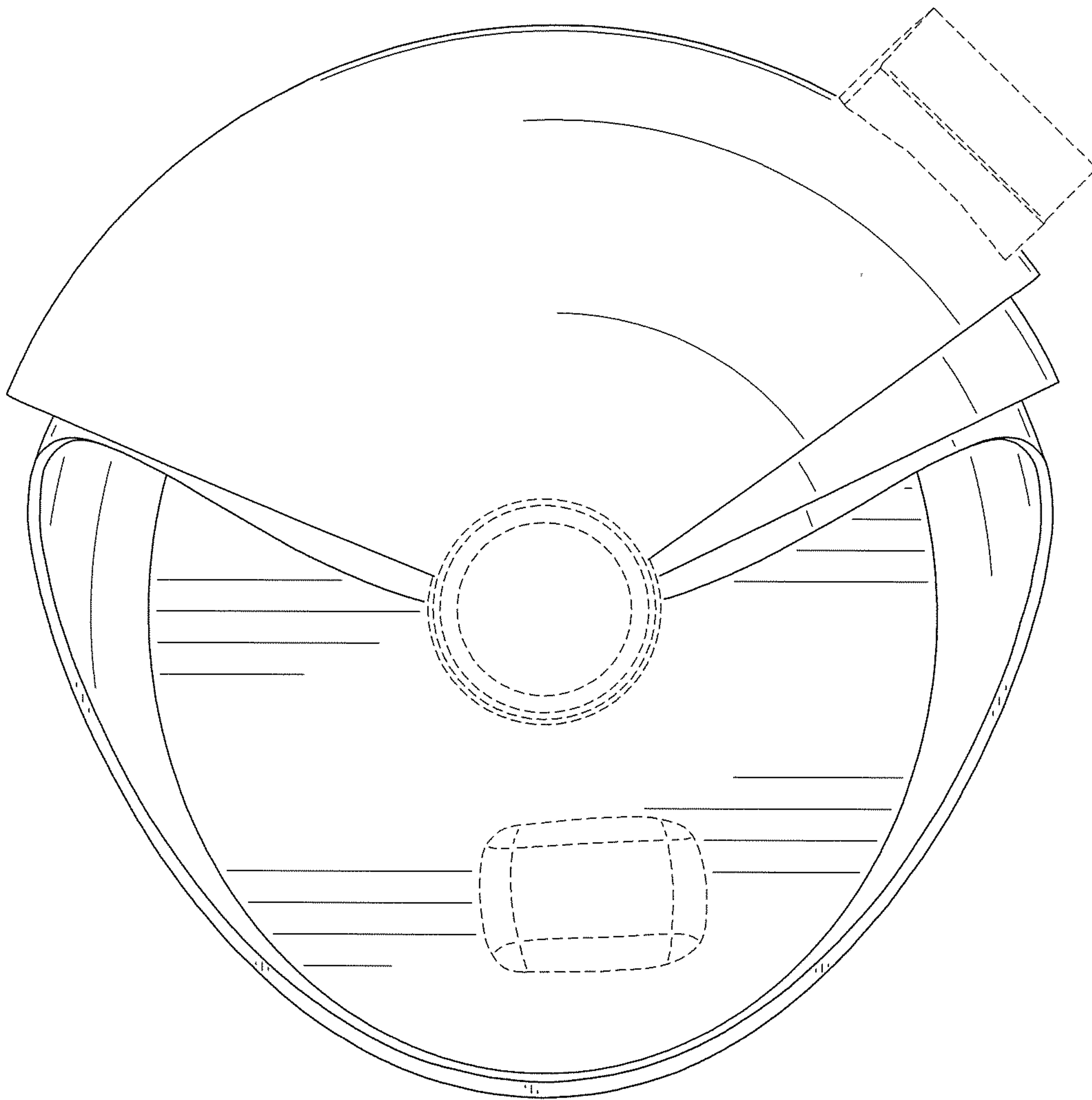


FIG. 6



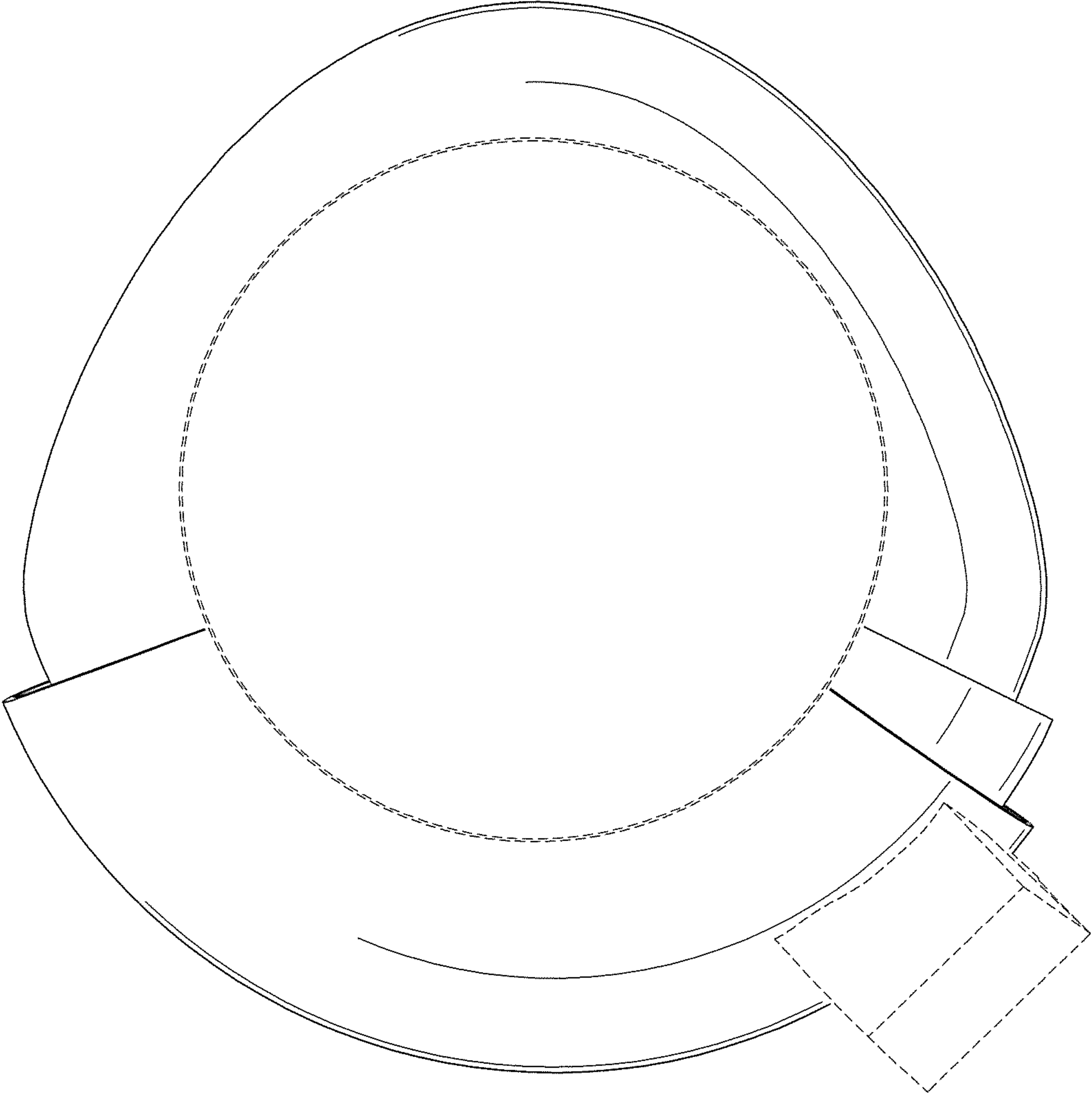


FIG. 7