



US00D737987S

(12) **United States Design Patent**
Ho

(10) **Patent No.:** **US D737,987 S**

(45) **Date of Patent:** **** Sep. 1, 2015**

(54) **BACK RELIEF BELT**

(71) Applicant: **Hoi Ming Michael Ho**, Ontario (CA)

(72) Inventor: **Hoi Ming Michael Ho**, Ontario (CA)

(**) Term: **14 Years**

(21) Appl. No.: **29/485,488**

(22) Filed: **Mar. 19, 2014**

(30) **Foreign Application Priority Data**

Jan. 27, 2014 (TW) 103300484

(51) **LOC (10) Cl.** **24-04**

(52) **U.S. Cl.**
USPC **D24/190**

(58) **Field of Classification Search**
USPC D24/188, 190, 200, 206; D29/100,
D29/101.3, 101.5; D21/662; 602/13
CPC A61F 5/028; A61F 5/03; A41F 9/002;
A41D 13/0525; A61H 2201/165
See application file for complete search history.

(56) **References Cited**

U.S. PATENT DOCUMENTS

D243,037	S	*	1/1977	Spiro	D24/190
D375,823	S	*	11/1996	Bleiweis	D29/101.5
D422,709	S	*	4/2000	Caswell	D24/190
D496,108	S	*	9/2004	Machin et al.	D24/206
D595,859	S	*	7/2009	Young	D24/190
D636,494	S	*	4/2011	Garth et al.	D24/190

D663,029	S	*	7/2012	Holmen et al.	D24/143
D708,345	S	*	7/2014	Brady et al.	D24/200
D709,614	S	*	7/2014	Penn et al.	D24/190
2013/0317539	A1	*	11/2013	Armm	606/204
2014/0007331	A1	*	1/2014	Stoker	2/464
2014/0039369	A1	*	2/2014	Ho	602/13

OTHER PUBLICATIONS

2-in-1 Decompression Back Belt, [online], [site visited Feb. 25, 2015]. Availabe from Internet, <URL: <http://www.drhonow.com/product/decompression-belt-how-it-works.php>>.*

* cited by examiner

Primary Examiner — George D Kirschbaum

Assistant Examiner — Jennifer Watkins

(74) *Attorney, Agent, or Firm* — Bacon & Thomas, PLLC

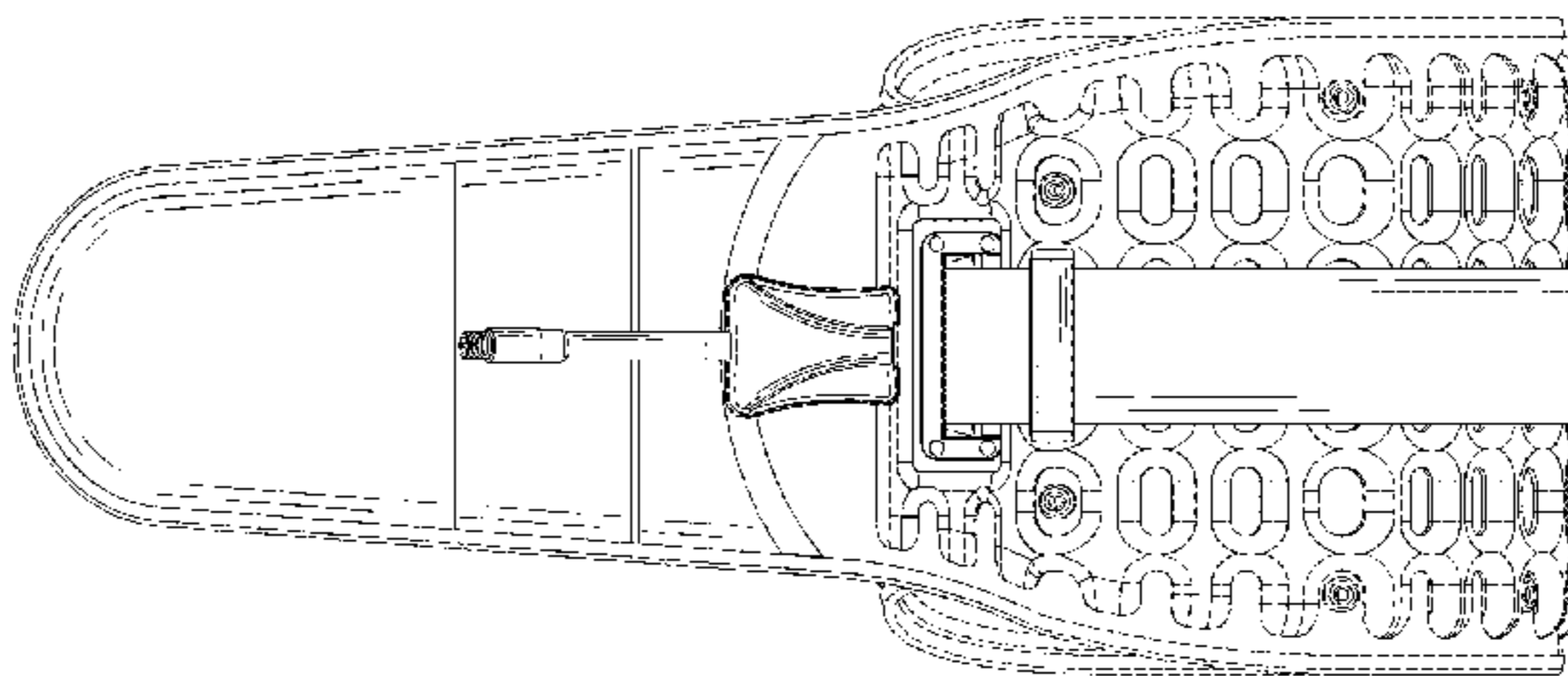
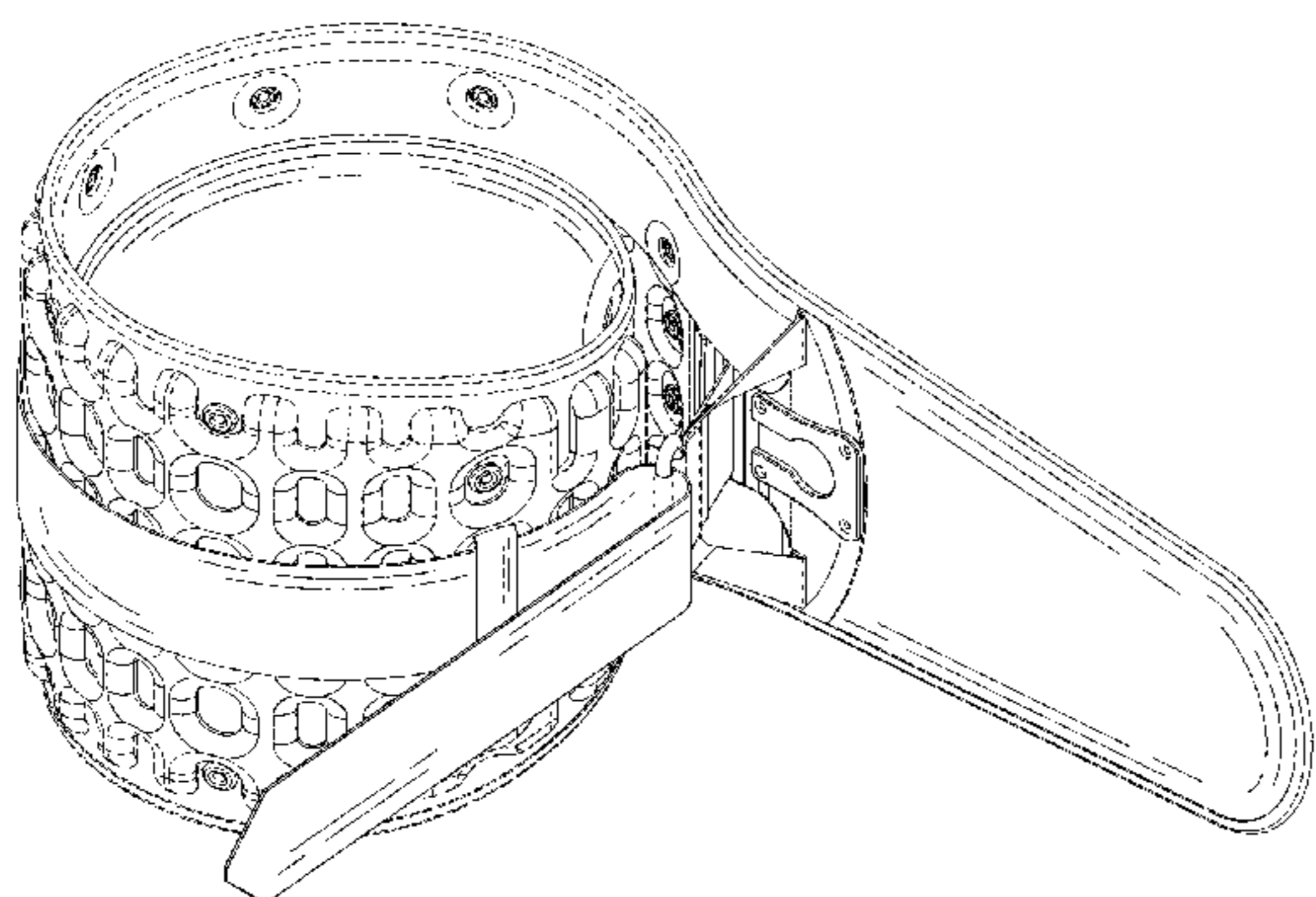
(57) **CLAIM**

The ornamental design for a back relief belt, as shown and described.

DESCRIPTION

FIG. 1 is a perspective view of a back relief belt showing my new design;
FIG. 2 is a front elevational view thereof;
FIG. 3 is a rear elevational view thereof;
FIG. 4 is a left side elevational view thereof;
FIG. 5 is a right side elevational view thereof;
FIG. 6 is a top plan view thereof; and,
FIG. 7 is a bottom plan view thereof.
The broken line showing of a back relief belt is for the purpose of illustrating portions of the article that form no part of the claim.

1 Claim, 7 Drawing Sheets



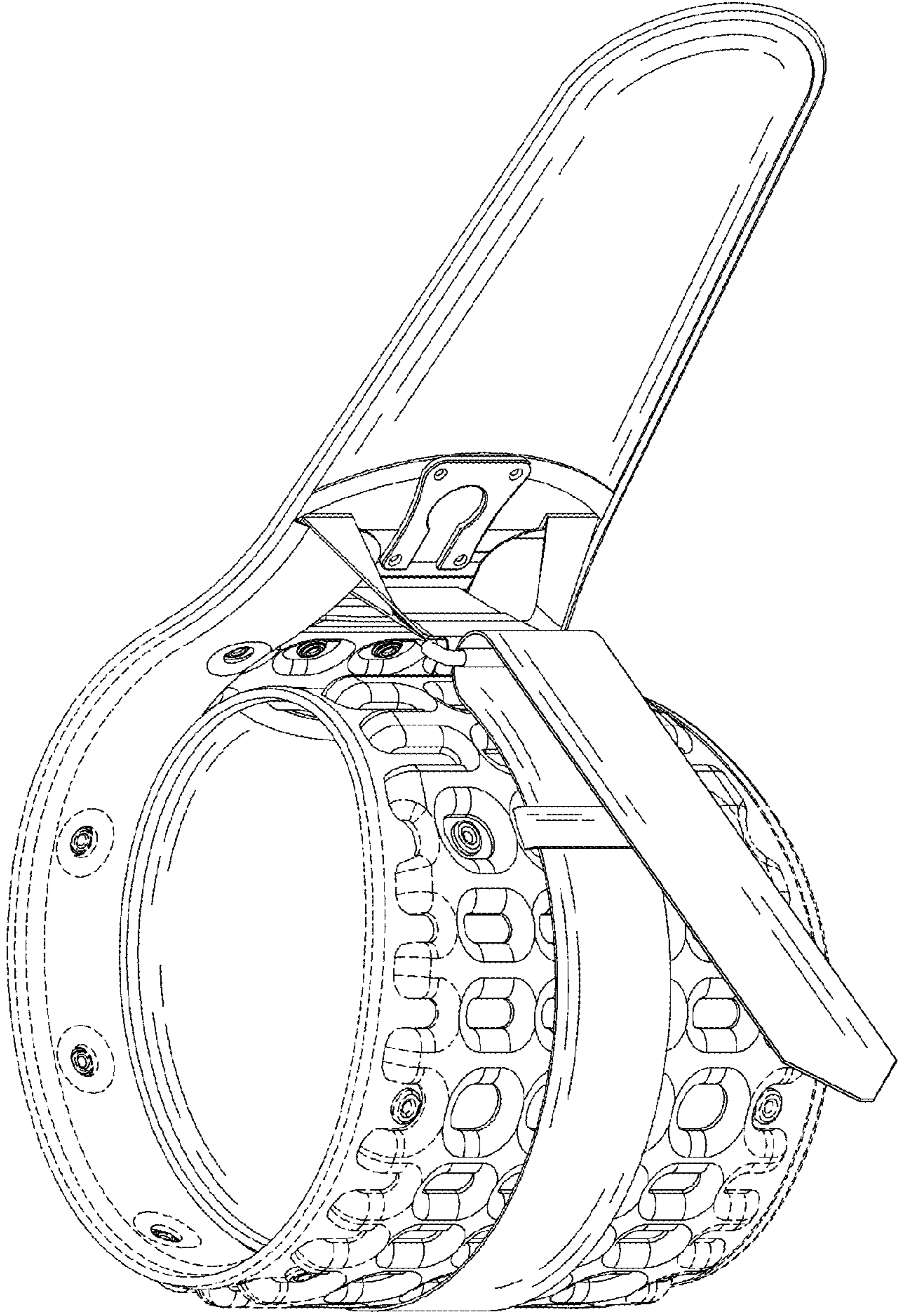


FIG. 1

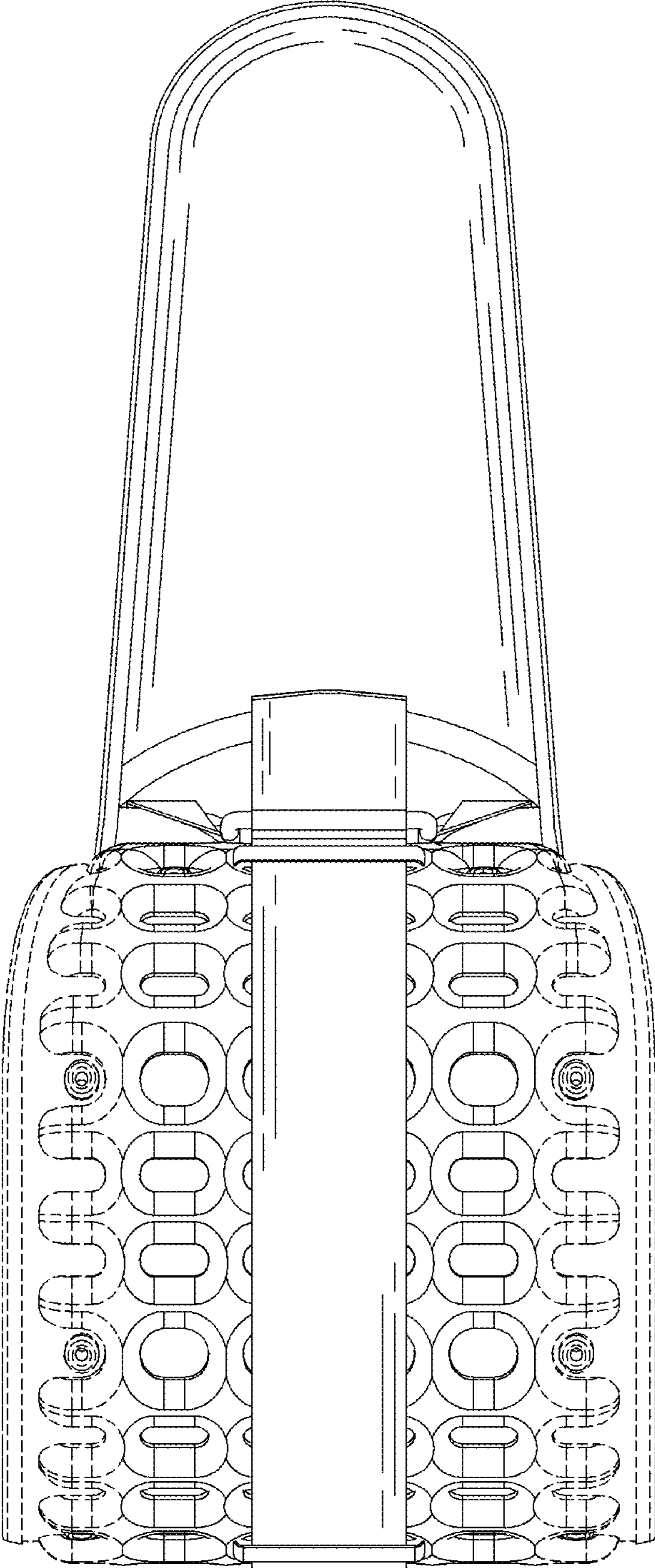


FIG. 2

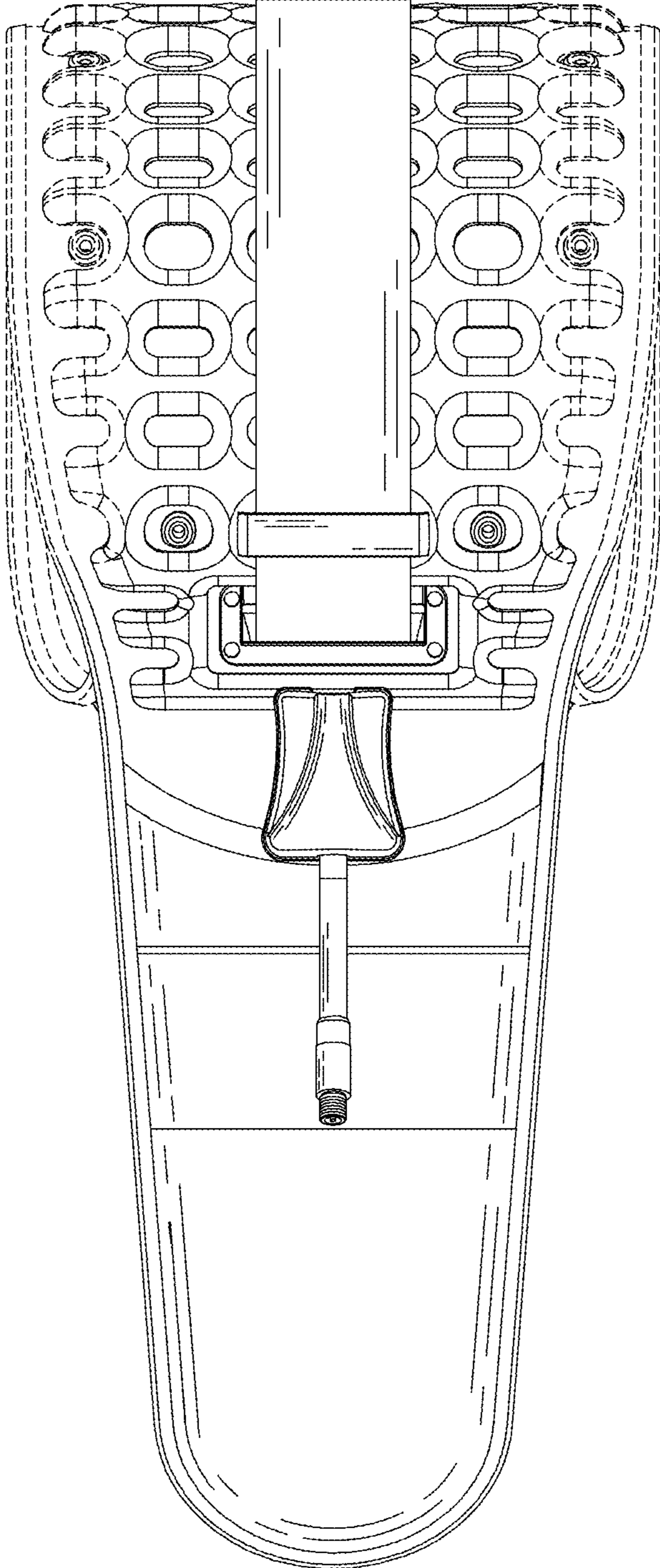


FIG. 3

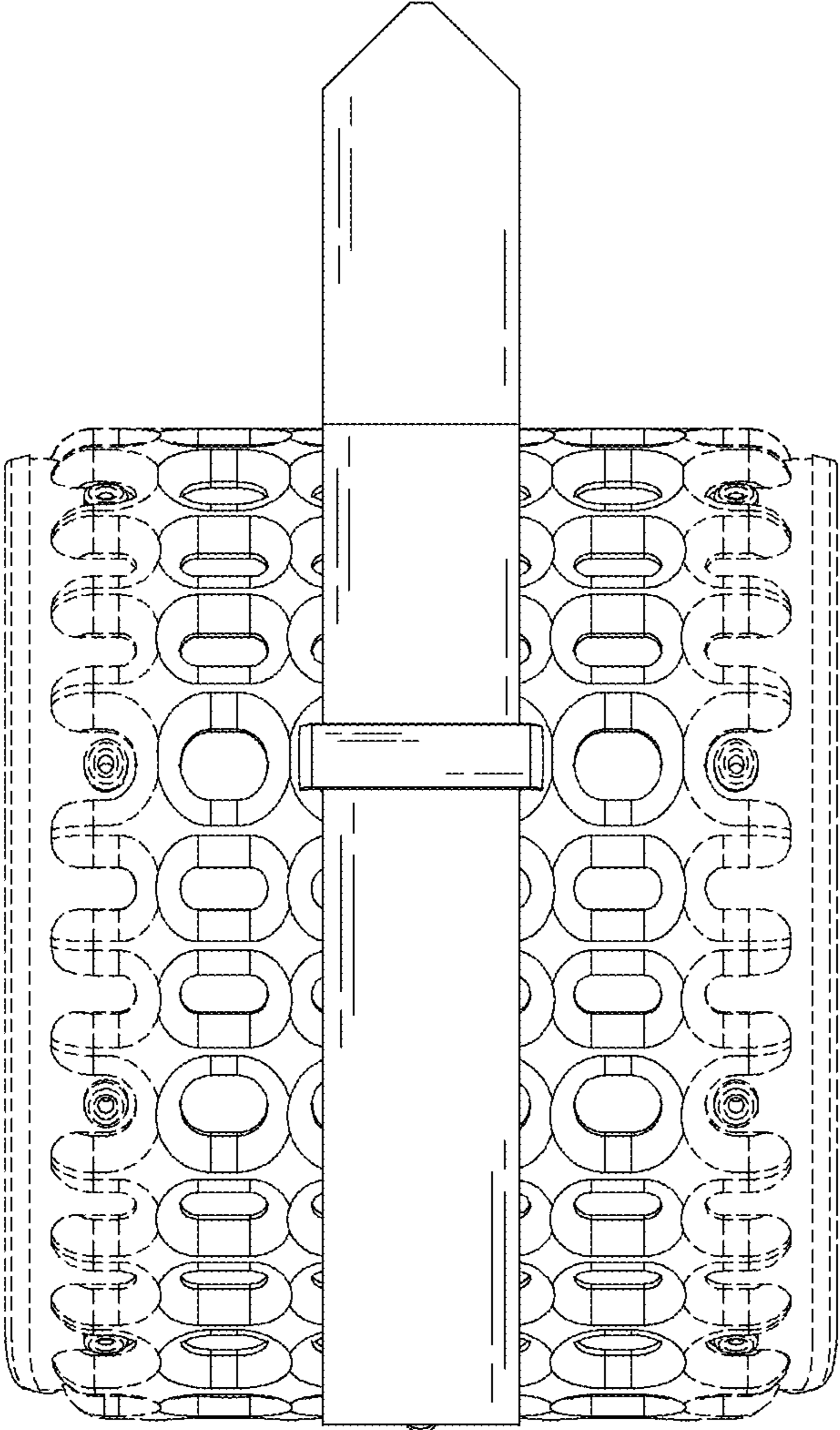


FIG. 4

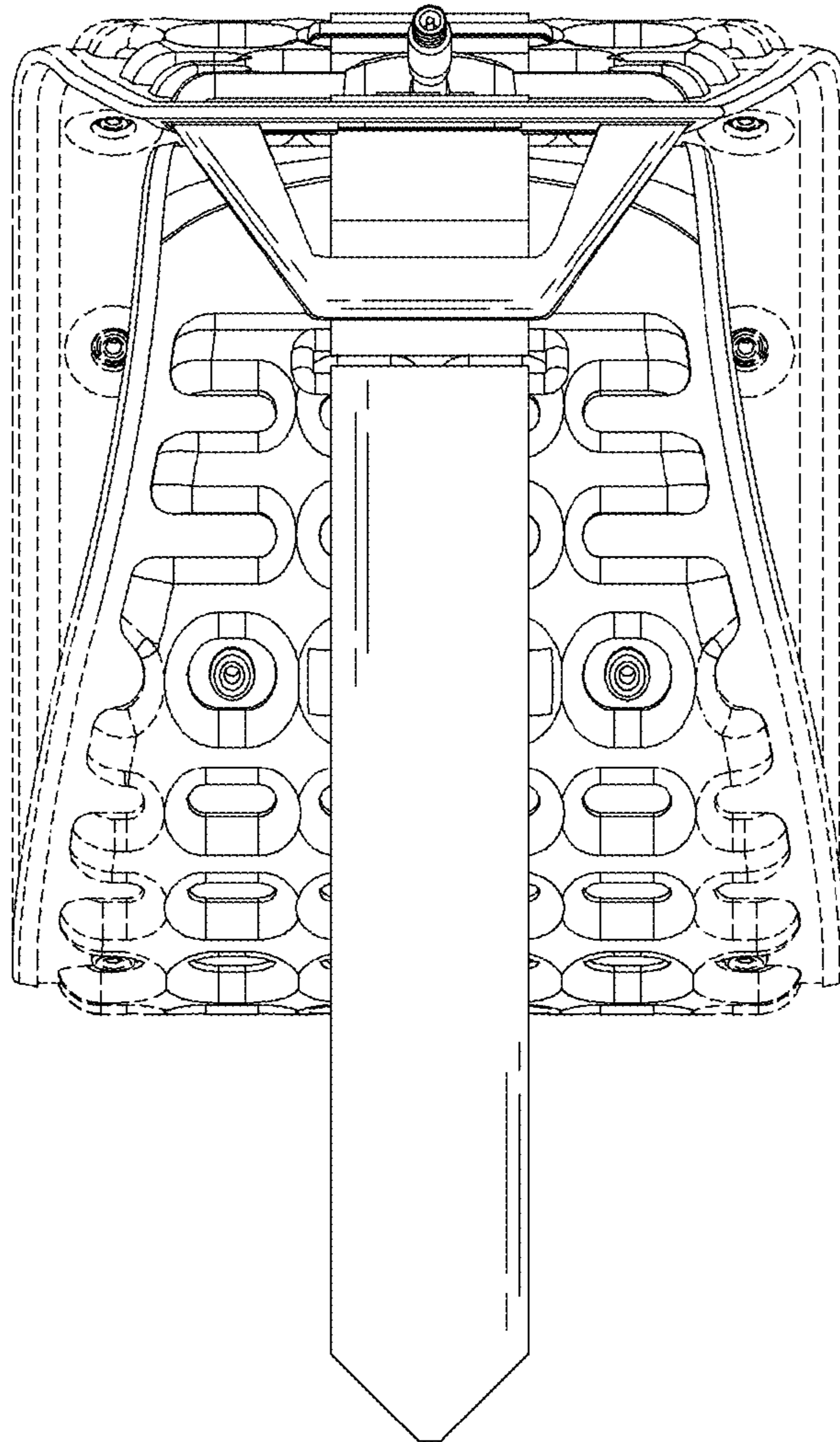


FIG. 5

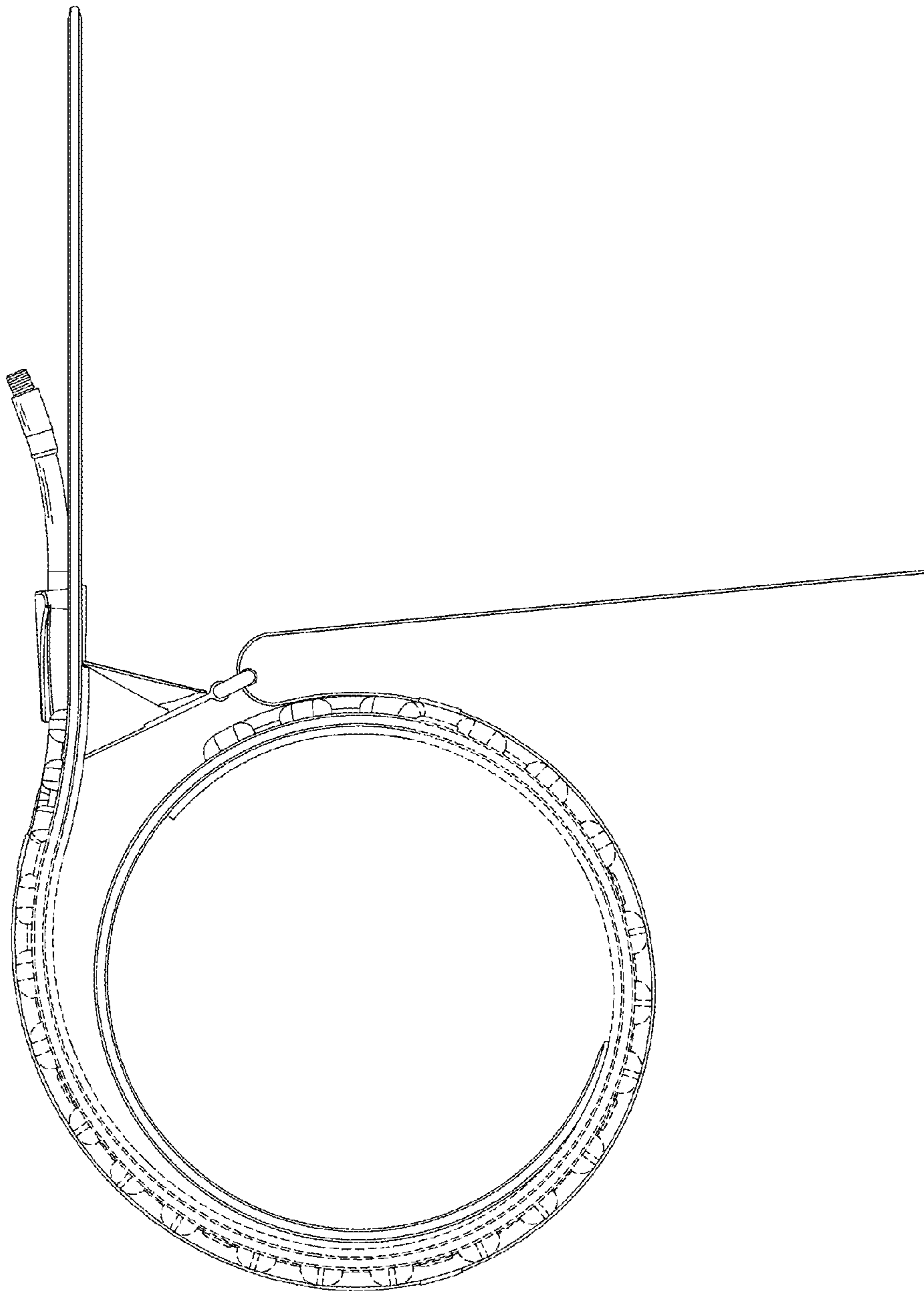


FIG. 6

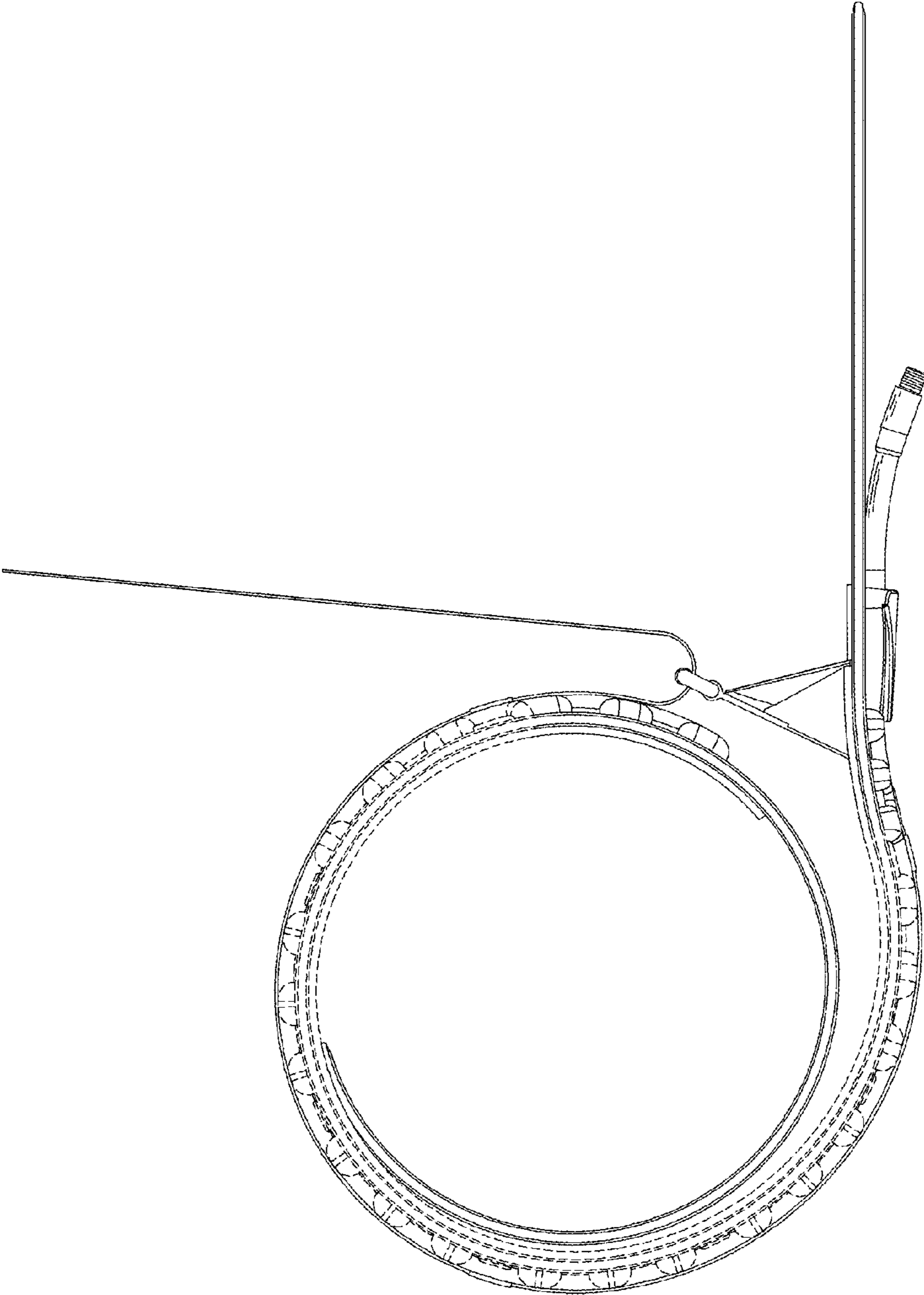


FIG. 7