



US00D737983S

(12) **United States Design Patent**
Terakawa

(10) **Patent No.:** **US D737,983 S**
(45) **Date of Patent:** **** Sep. 1, 2015**

(54) **COLOR SAMPLE INDICATION TOOL**

(71) Applicant: **KURARAY NORITAKE DENTAL INC., Okayama (JP)**

(72) Inventor: **Eiichi Terakawa, Okayama (JP)**

(73) Assignee: **Kuraray Noritake Dental Inc., Okayama (JP)**

(**) Term: **14 Years**

(21) Appl. No.: **29/485,931**

(22) Filed: **Mar. 25, 2014**

Related U.S. Application Data

(62) Division of application No. 29/438,411, filed on Nov. 29, 2012, now Pat. No. Des. 710,505.

(30) **Foreign Application Priority Data**

May 31, 2012 (JP) 012986/2012
May 31, 2012 (JP) 012987/2012
May 31, 2012 (JP) 012988/2012
May 31, 2012 (JP) 012989/2012
May 31, 2012 (JP) 012990/2012

(51) **LOC (10) Cl.** **24-01**

(52) **U.S. Cl.**
USPC **D24/181**

(58) **Field of Classification Search**
USPC D24/176, 180-181, 223-227, 229-230;
D19/124, 133; D10/71; 206/83;
433/26, 72, 79, 202.1, 203.1, 215
See application file for complete search history.

(56) **References Cited**

U.S. PATENT DOCUMENTS

362,803 A * 5/1887 White 433/26
825,578 A * 7/1906 Browne 206/83

1,518,608 A * 12/1924 Short 433/26
1,704,723 A * 3/1929 Charen 206/83
2,249,634 A * 7/1941 Myerson 433/26
2,479,543 A * 8/1949 Russell 433/26
3,964,167 A * 6/1976 Yerkes, Jr. 433/26
4,115,922 A * 9/1978 Alderman 433/26
4,618,325 A * 10/1986 Appelle 433/26
5,066,227 A * 11/1991 Pozzi 433/26
5,257,931 A * 11/1993 Pozzi 433/26
6,315,554 B1 * 11/2001 Coste et al. 433/26
7,326,052 B2 * 2/2008 Odanaka et al. 433/26
D667,556 S 9/2012 Ikenaga et al.
2010/0055638 A1 3/2010 Albarski et al.
2010/0173257 A1 7/2010 Yamamoto et al.

FOREIGN PATENT DOCUMENTS

JP 2010-516355 A 5/2010
JP D1395275 S 8/2010
WO WO 2009/008044 A1 1/2009

* cited by examiner

Primary Examiner — Wan Laymon

(74) *Attorney, Agent, or Firm* — Leydig, Voit & Mayer

(57) **CLAIM**

The ornamental design for a color sample indication tool, as shown and described.

DESCRIPTION

FIG. 1 is a front view of a color sample indication tool of the present invention.
FIG. 2 is a rear view thereof.
FIG. 3 is a top view thereof.
FIG. 4 is a bottom side view thereof.
FIG. 5 is left side view thereof.
FIG. 6 is a cross-sectional view, taken along lines A-A of FIG. 1; and,
FIG. 7 is a cross-sectional view, taken along lines B-B of FIG. 1.

1 Claim, 7 Drawing Sheets

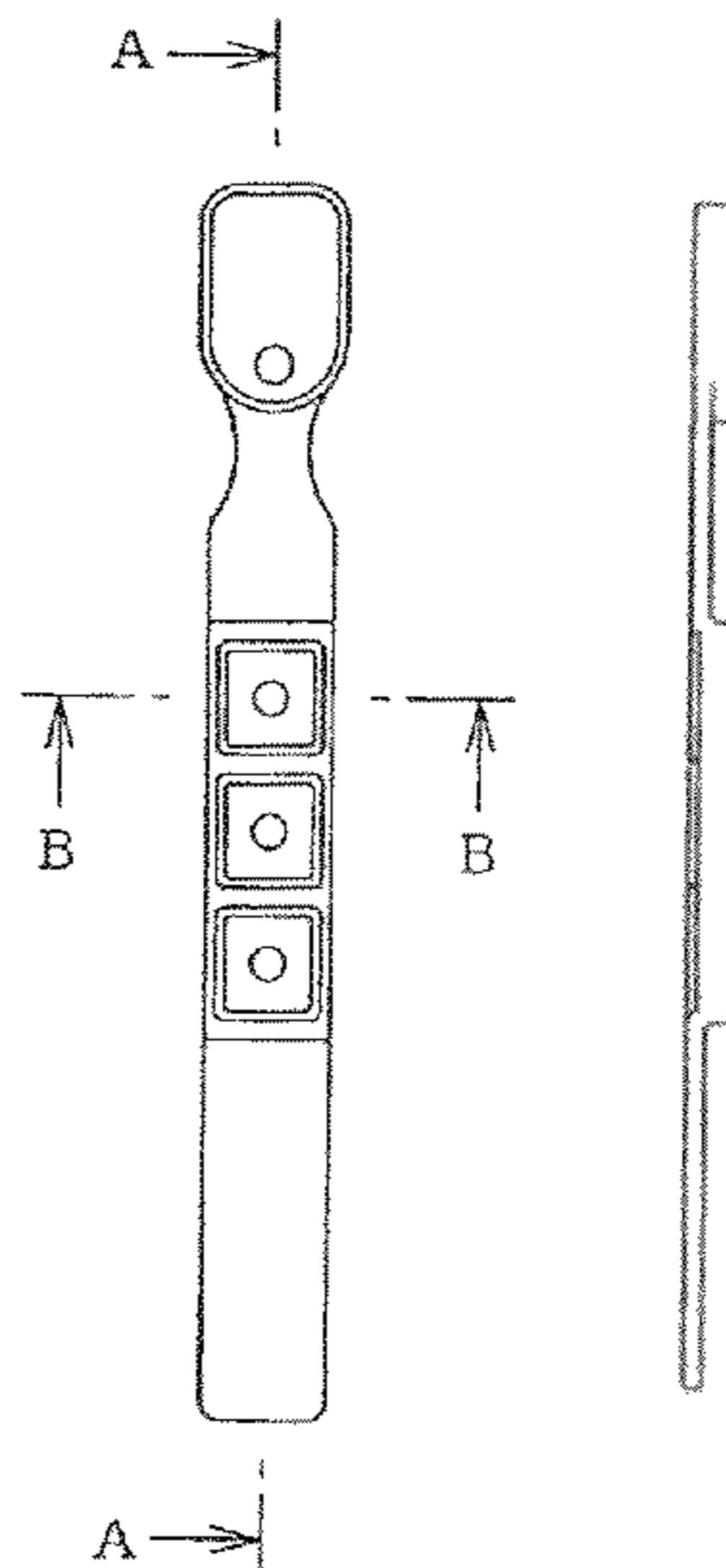


Fig. 1

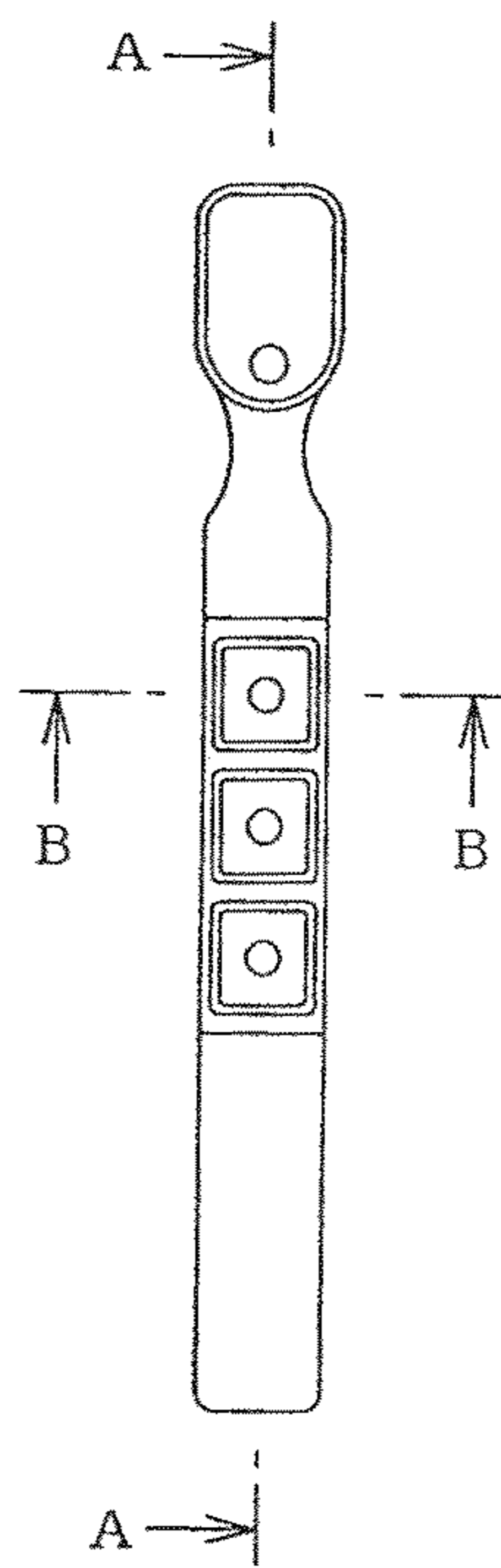


FIG. 2

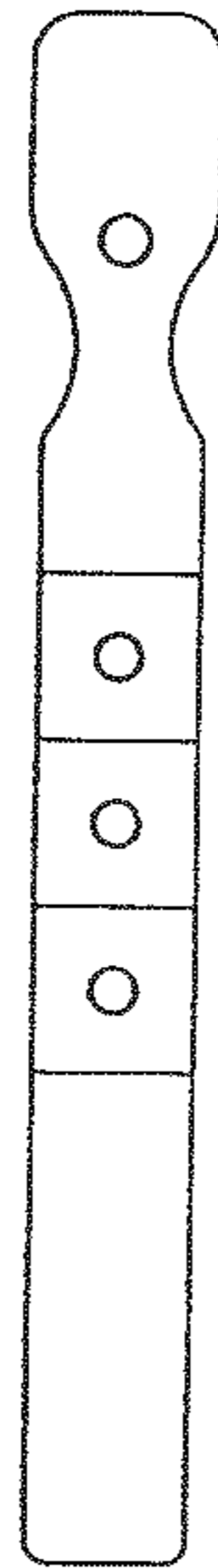


FIG. 3



FIG. 4

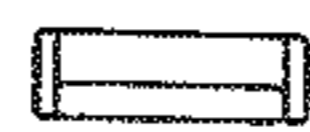


FIG. 5

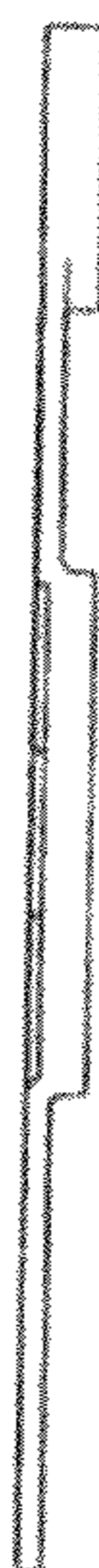


FIG. 6



FIG. 7

