



US00D737981S

(12) **United States Design Patent**
Biggs et al.

(10) **Patent No.:** **US D737,981 S**

(45) **Date of Patent:** **** Sep. 1, 2015**

(54) **ELECTROSURGICAL MONITORING
DEVICE**

(71) Applicant: **Encision Inc.**, Boulder, CO (US)

(72) Inventors: **Michael John Biggs**, Denver, CO (US);
Jan Brian Zwierstra, San Pedro, CA
(US); **Trevor Wayne Dunlop**, Long
Beach, CA (US)

(73) Assignee: **ENCISION, INC.**, Boulder, CO (US)

(**) Term: **14 Years**

(21) Appl. No.: **29/493,613**

(22) Filed: **Jun. 11, 2014**

(51) **LOC (10) Cl.** **24-00**

(52) **U.S. Cl.**
USPC **D24/170**

(58) **Field of Classification Search**
USPC D24/170, 169, 216, 186; D10/81;
422/58, 66; 702/62; 600/309, 365;
205/792; 604/151
CPC G01N 35/00009; G01N 27/3271;
G01R 21/133; A61B 5/14532; A61M 5/14244
See application file for complete search history.

(56) **References Cited**

U.S. PATENT DOCUMENTS

D522,656	S	*	6/2006	Orr et al.	D24/169
D522,657	S	*	6/2006	Murphy et al.	D24/186
7,181,350	B2	*	2/2007	Oberding et al.	702/62
D600,349	S	*	9/2009	Bell et al.	D24/169
D611,151	S	*	3/2010	Lei	D24/169
D651,925	S	*	1/2012	Faulkner et al.	D10/81
8,293,096	B2	*	10/2012	Cardosi et al.	205/792
D684,490	S	*	6/2013	Nelson et al.	D10/81
D686,731	S	*	7/2013	Oka	D24/169
D688,146	S	*	8/2013	Liu	D10/81
D690,422	S	*	9/2013	Oka	D24/169

D694,411	S	*	11/2013	Amirouche et al.	D24/169
D694,422	S	*	11/2013	Cook et al.	D24/216
D696,404	S	*	12/2013	Golnik et al.	D24/169
D698,443	S	*	1/2014	Prais et al.	D24/169
D721,178	S	*	1/2015	Harkin et al.	D24/169
2003/0223906	A1	*	12/2003	McAllister et al.	422/58
2005/0232815	A1	*	10/2005	Ruhl et al.	422/66
2010/0113896	A1	*	5/2010	Cadio et al.	600/309
2010/0228111	A1	*	9/2010	Friman et al.	600/365
2010/0331650	A1	*	12/2010	Batman et al.	600/365
2012/0053522	A1	*	3/2012	Yodfat et al.	604/151

* cited by examiner

Primary Examiner — Holly Baynham

Assistant Examiner — Rhea Shields

(74) *Attorney, Agent, or Firm* — Neugeboren O'Dowd PC

(57) **CLAIM**

The ornamental design for an electrosurgical monitoring device, as shown and described.

DESCRIPTION

FIG. 1 is a front perspective view of the electrosurgical monitoring device.

FIG. 2 is a back perspective view of the electrosurgical monitoring device.

FIG. 3 is a front view of the electrosurgical monitoring device.

FIG. 4 is a back view of the electrosurgical monitoring device.

FIG. 5 is a left side view of the electrosurgical monitoring device.

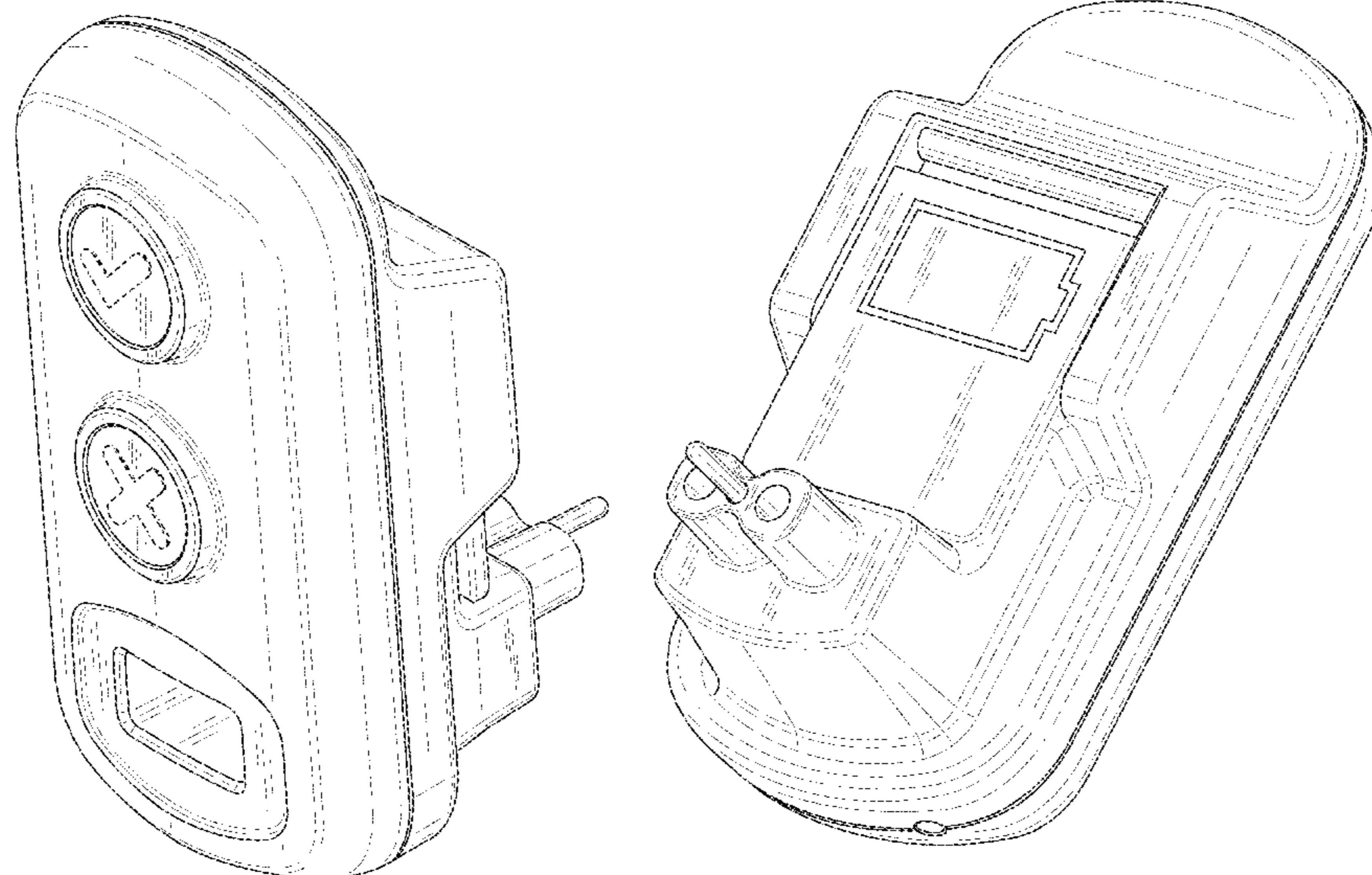
FIG. 6 is a right side view of the electrosurgical monitoring device.

FIG. 7 is a top view of the electrosurgical monitoring device; and,

FIG. 8 is a bottom view of the electrosurgical monitoring device.

In the drawings, the broken lines are for the purpose of illustrating environment only and form no part of the claimed design.

1 Claim, 8 Drawing Sheets



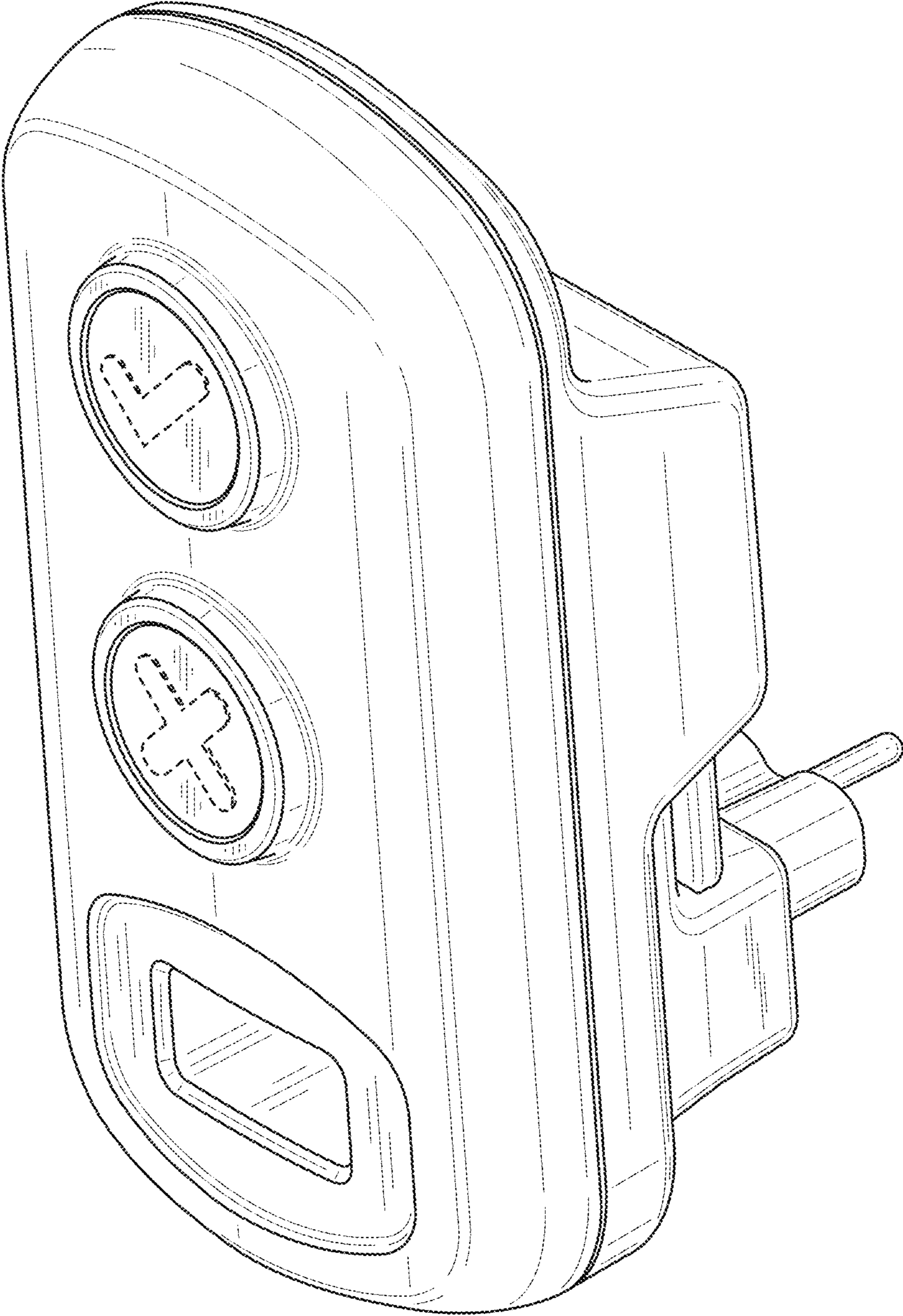


FIG.1

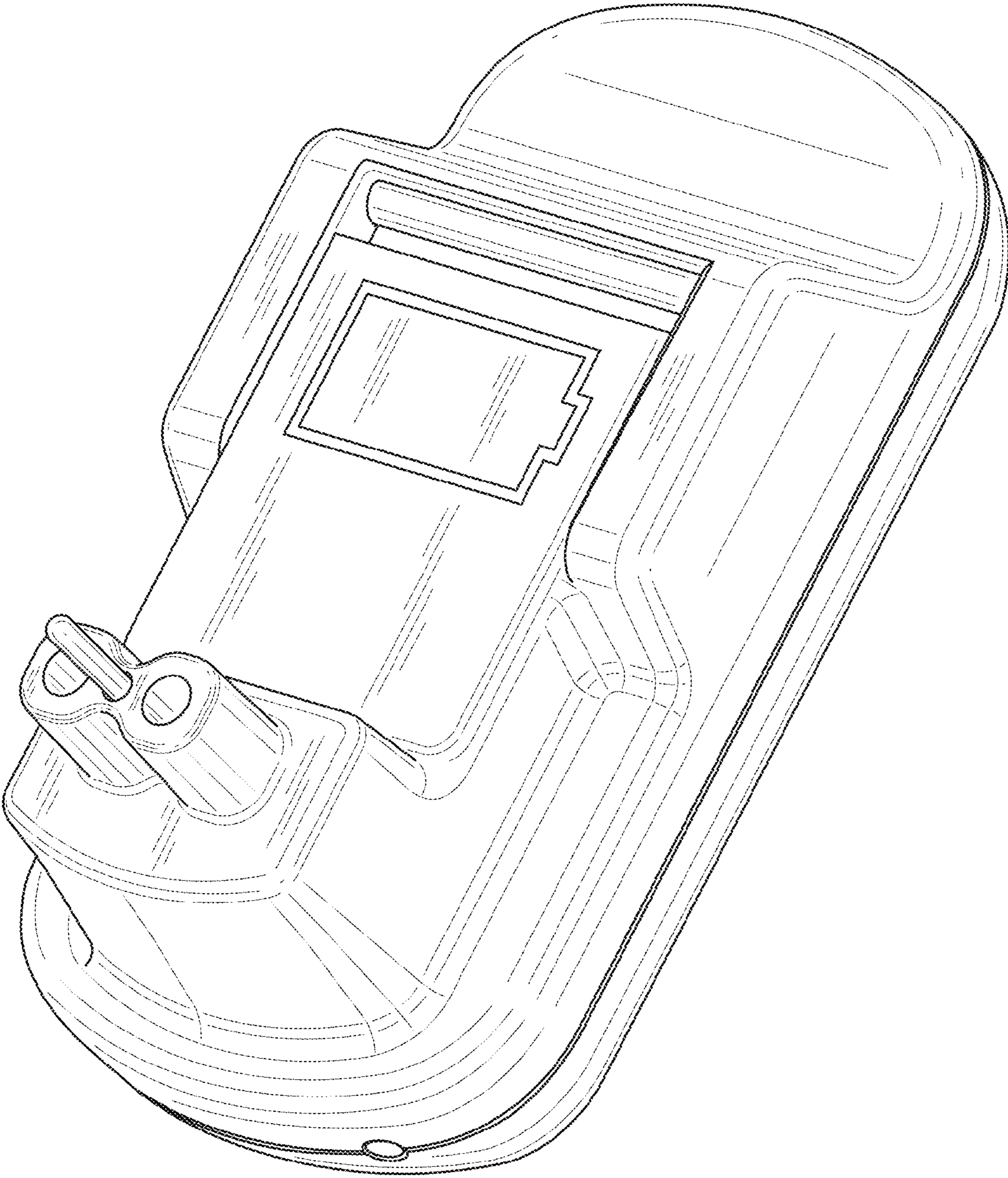


FIG.2

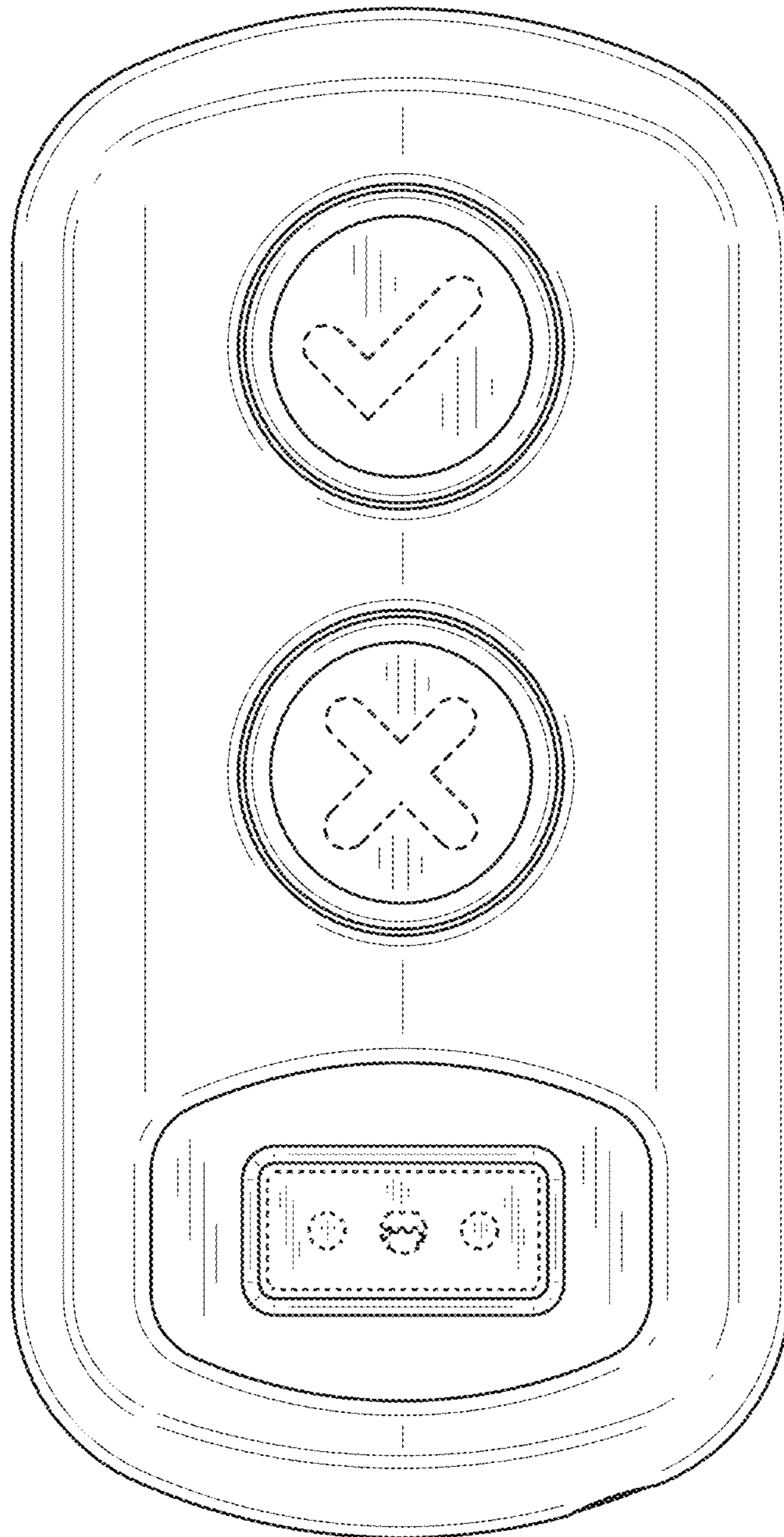


FIG.3

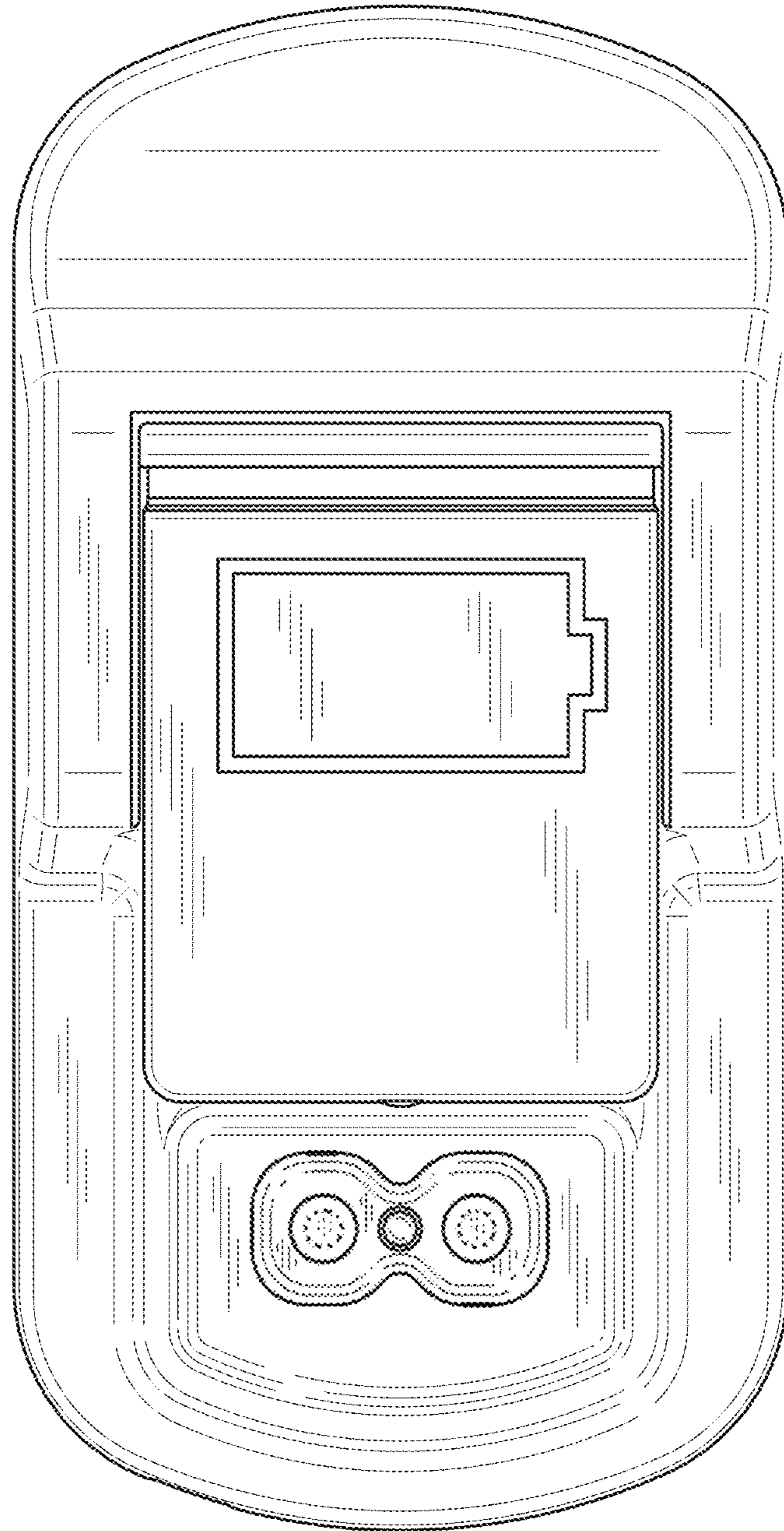


FIG. 4

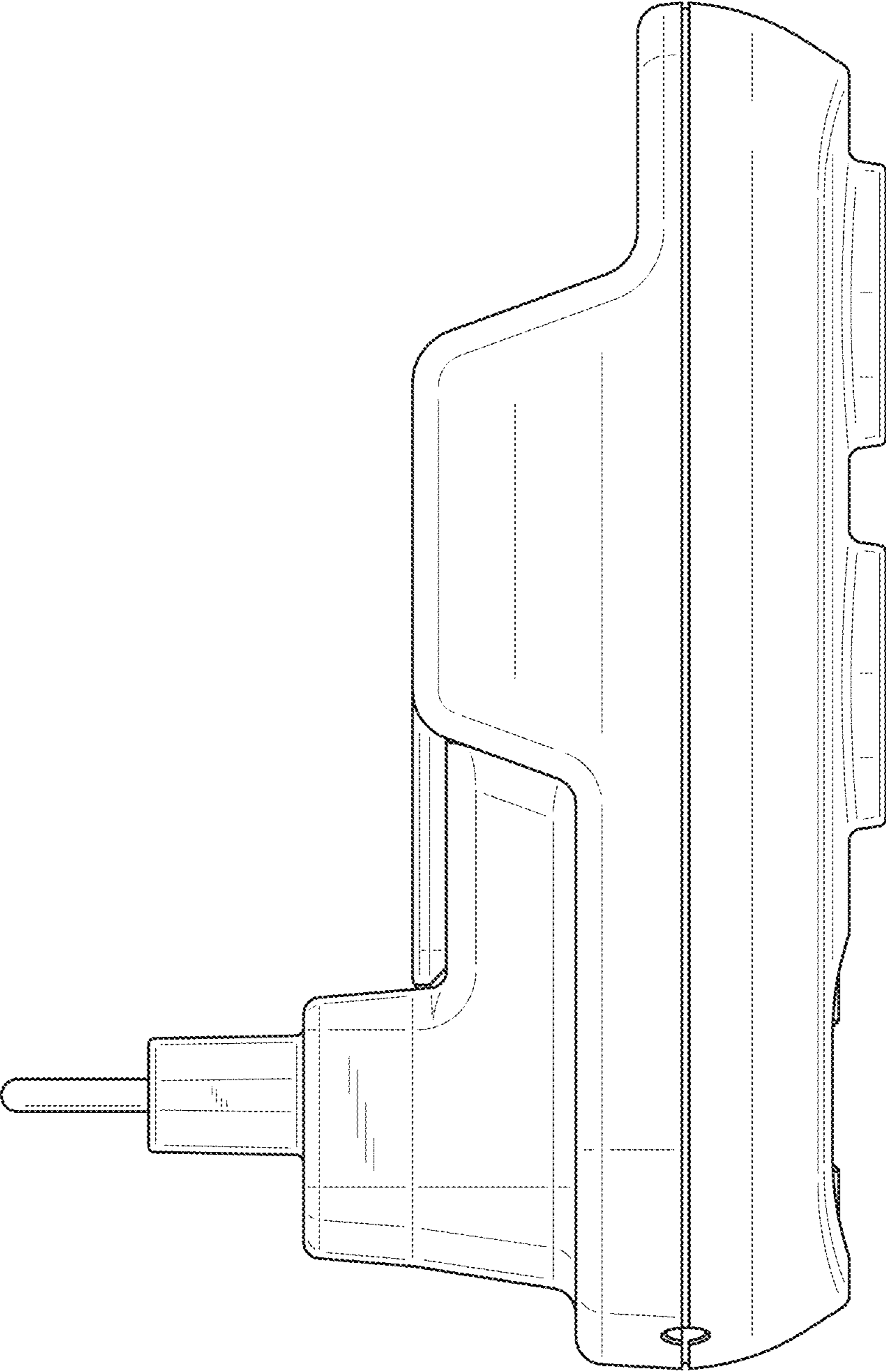


FIG.5

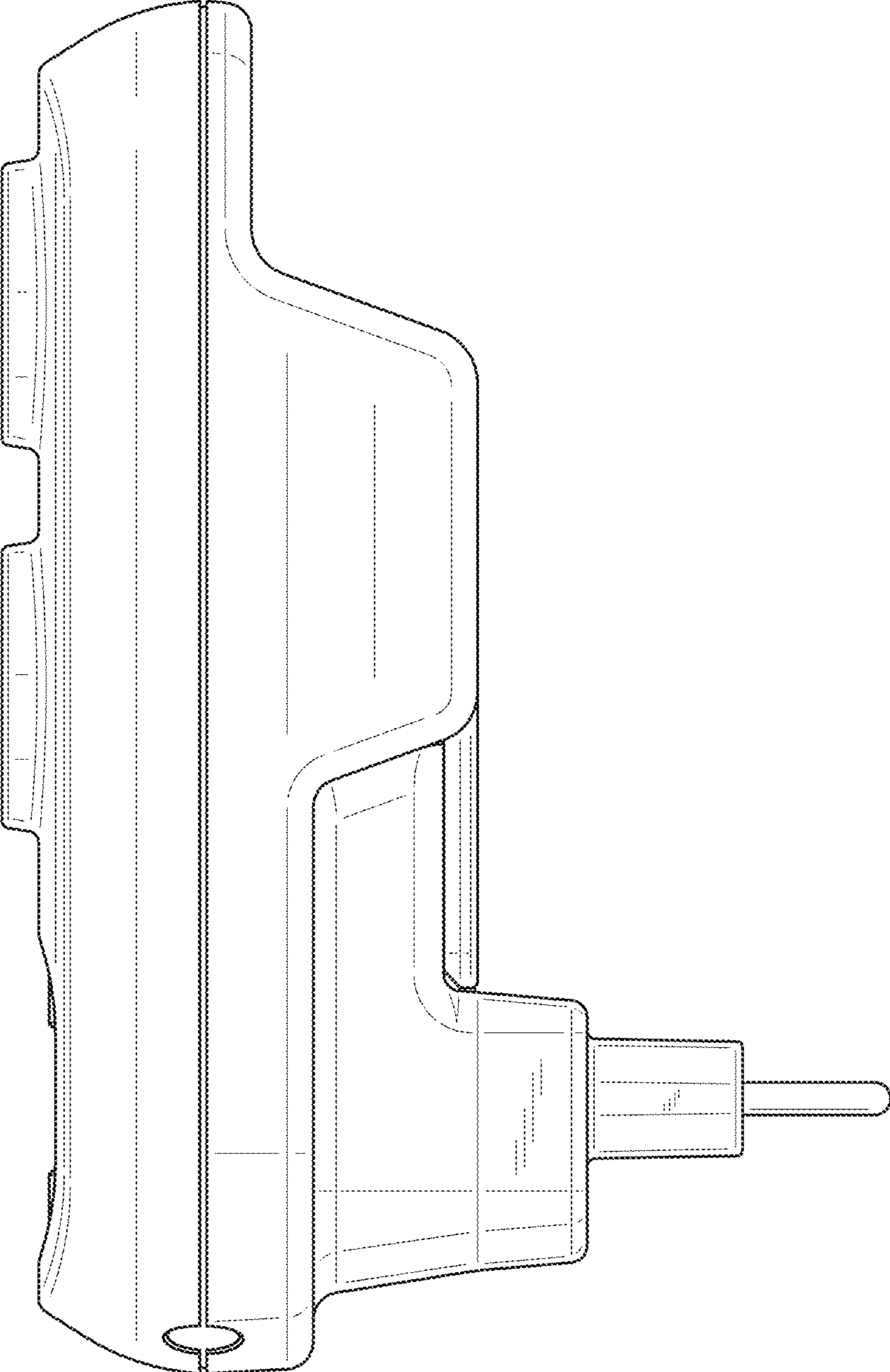


FIG.6

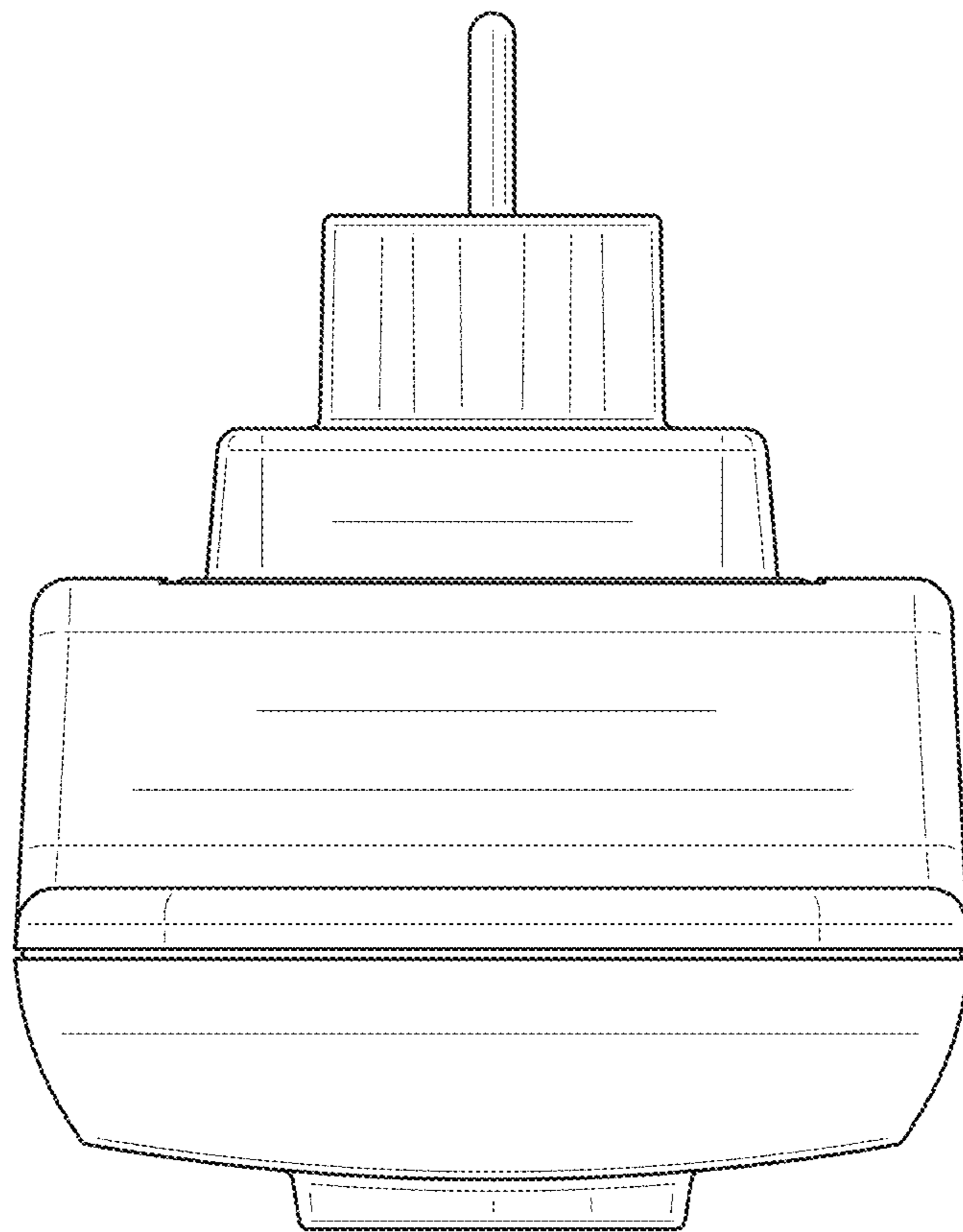


FIG. 7

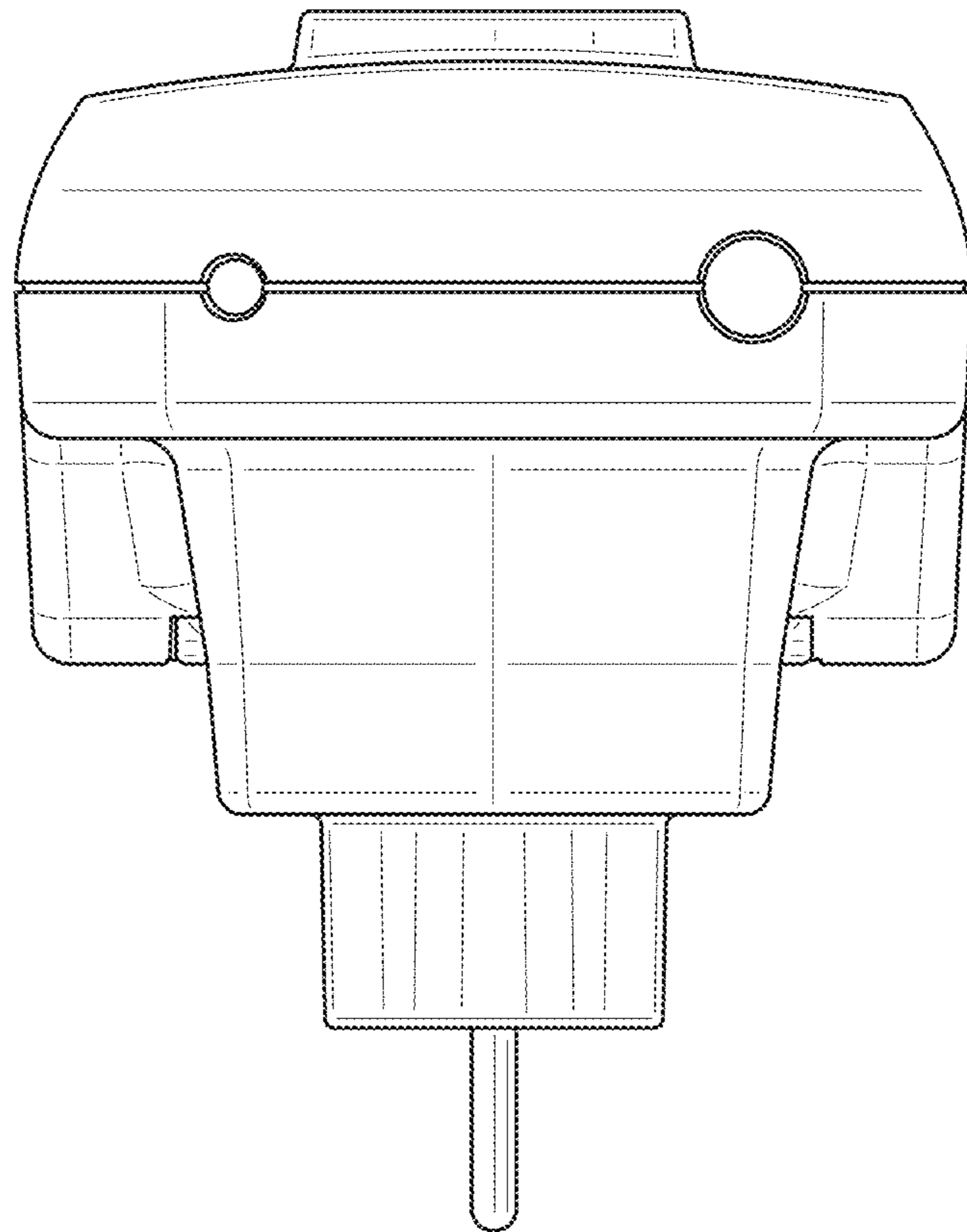


FIG. 8