



US00D737974S

(12) **United States Design Patent**
Weiner et al.

(10) **Patent No.:** **US D737,974 S**
(45) **Date of Patent:** **** Sep. 1, 2015**

(54) **BONE PLATE**

(71) Applicant: **Nextremity Solutions, Inc.**, Red Bank, NJ (US)

(72) Inventors: **Lon S. Weiner**, Rumson, NJ (US);
Stuart D. Katchis, Scarsdale, NY (US);
John R. Pepper, Cheshire, CT (US);
Jorge A. Montoya, Berkeley Heights, NJ (US)

(73) Assignee: **Nextremity Solutions, Inc.**, Red Bank, NJ (US)

(**) Term: **14 Years**

(21) Appl. No.: **29/493,850**

(22) Filed: **Jun. 13, 2014**

(51) **LOC (10) Cl.** **24-02**

(52) **U.S. Cl.**
USPC **D24/155**

(58) **Field of Classification Search**
USPC D24/155
CPC A61F 2/2846; A61F 2002/2835; A61F 2002/30784; A61F 2002/2825
See application file for complete search history.

(56) **References Cited**

U.S. PATENT DOCUMENTS

D480,141 S * 9/2003 Benirschke et al. D24/155
D596,294 S * 7/2009 Coillard-Lavirotte
et al. D24/155

D623,744 S * 9/2010 Strnad et al. D24/155
D630,750 S * 1/2011 Graham D24/155
D648,027 S * 11/2011 Vancelette et al. D24/155
D663,842 S * 7/2012 Graham D24/155
D699,351 S * 2/2014 Podgorski et al. D24/155

* cited by examiner

Primary Examiner — Ian Simmons

Assistant Examiner — Charles Hanson

(74) *Attorney, Agent, or Firm* — Heslin Rothenberg Farley & Mesiti, P.C.

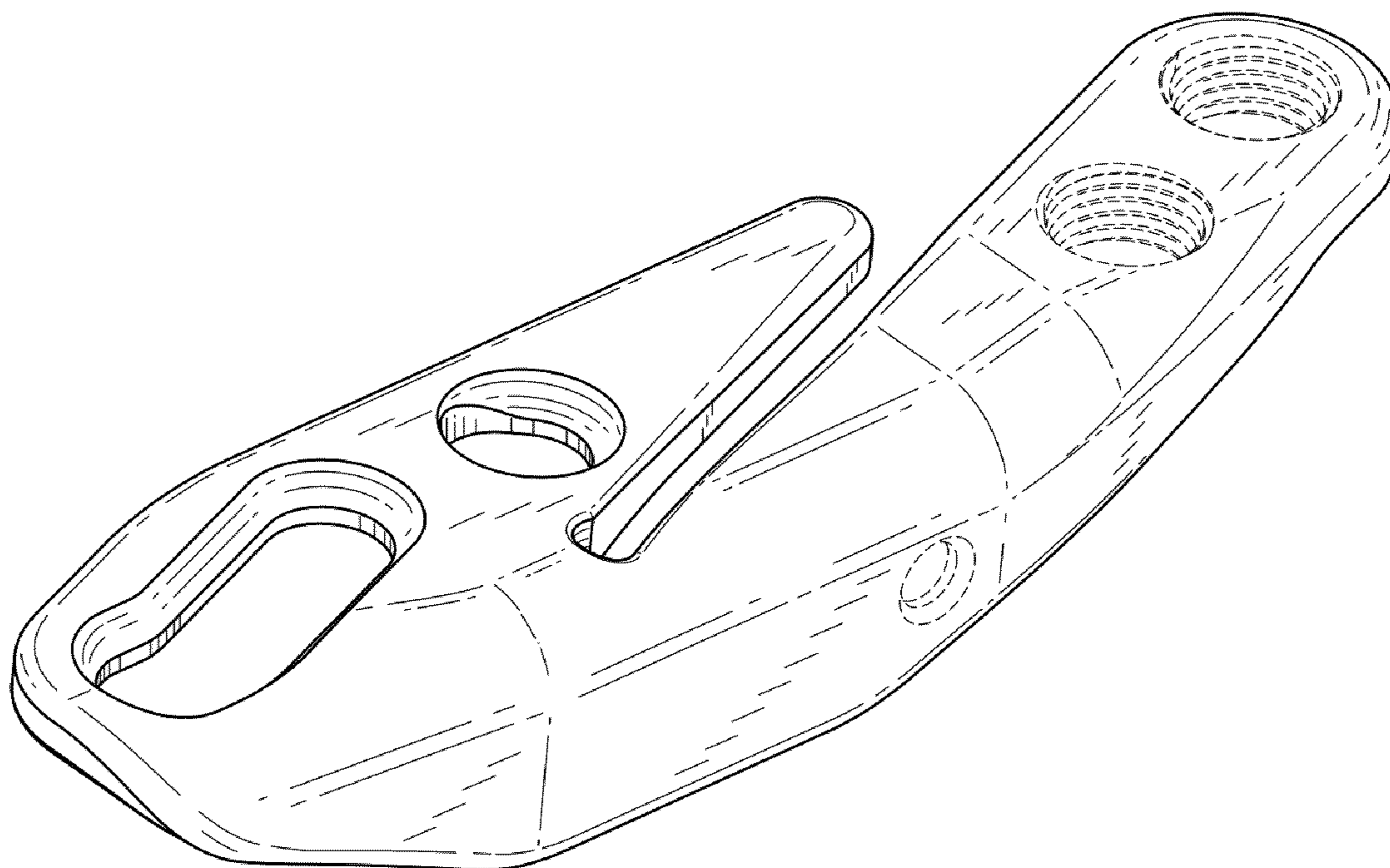
(57) **CLAIM**

The ornamental design for the bone plate, as shown and described.

DESCRIPTION

FIG. 1 is a top perspective view of the bone plate comprising the new design;
FIG. 2 is a bottom perspective view of the design of FIG. 1;
FIG. 3 is a left elevational view of the design of FIG. 1;
FIG. 4 is a right elevational view of the design of FIG. 1;
FIG. 5 is a front elevational view of the design of FIG. 1;
FIG. 6 is a back elevational view of the design of FIG. 1;
FIG. 7 is a top view of the design of FIG. 1; and,
FIG. 8 is a bottom view of the design of FIG. 1.
The broken lines in the figures are directed to the environment and are for illustrative purposes only; the broken lines form no part of the claimed design.

1 Claim, 3 Drawing Sheets



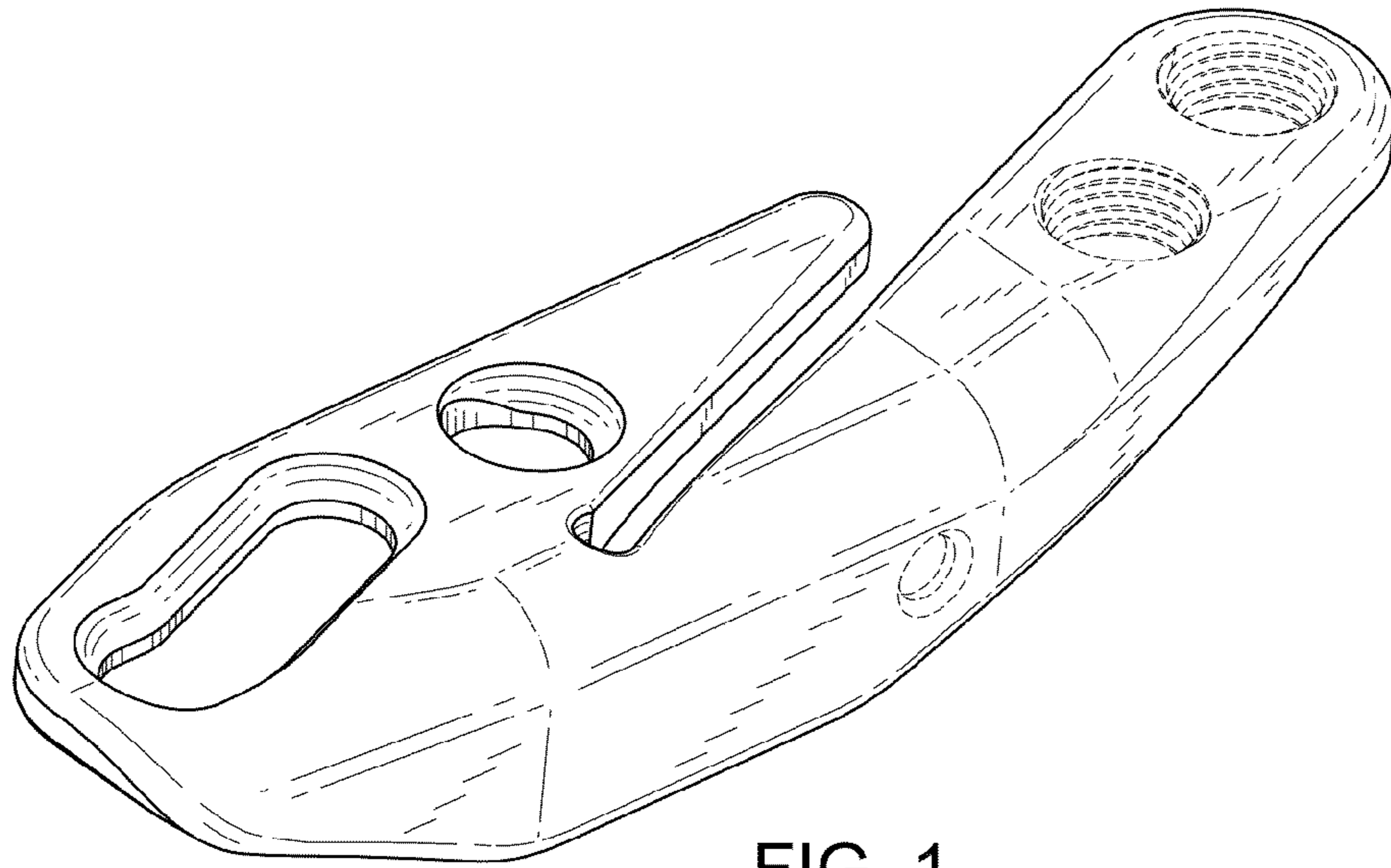


FIG. 1

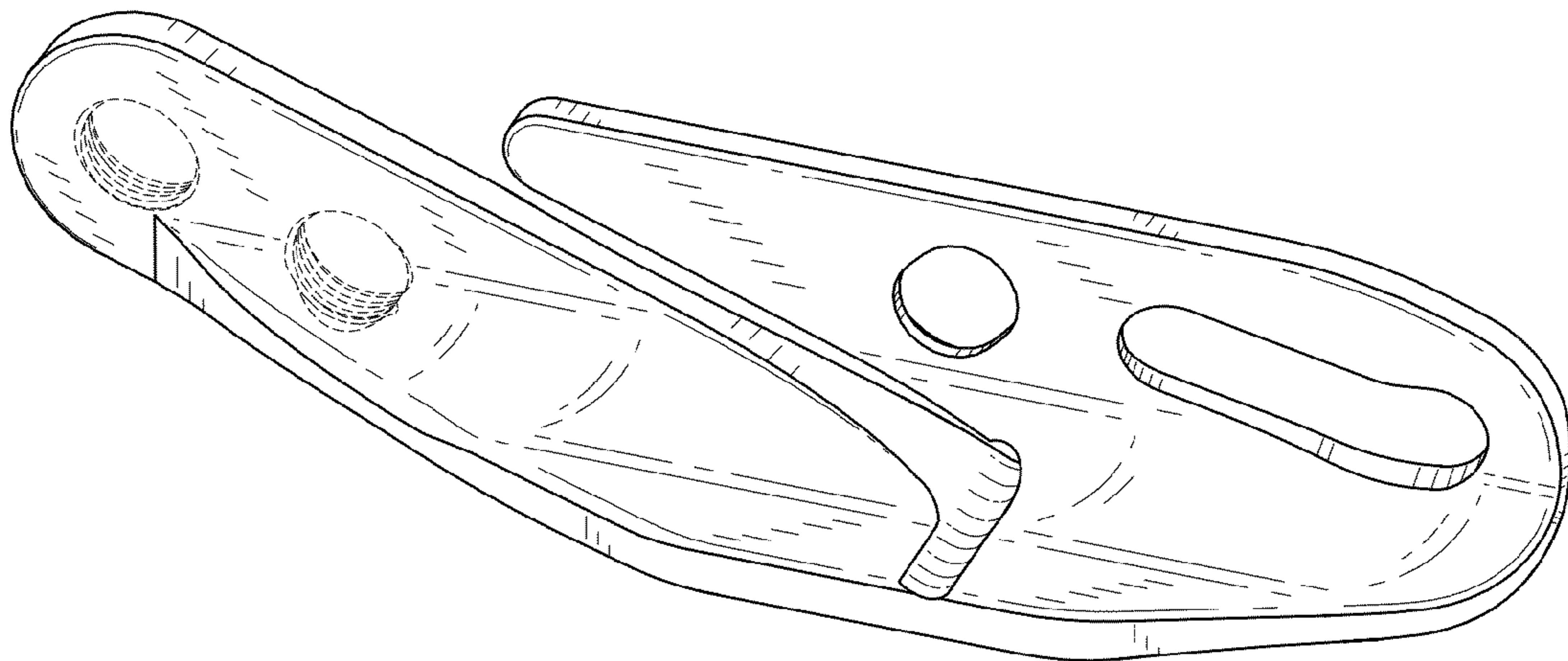


FIG. 2

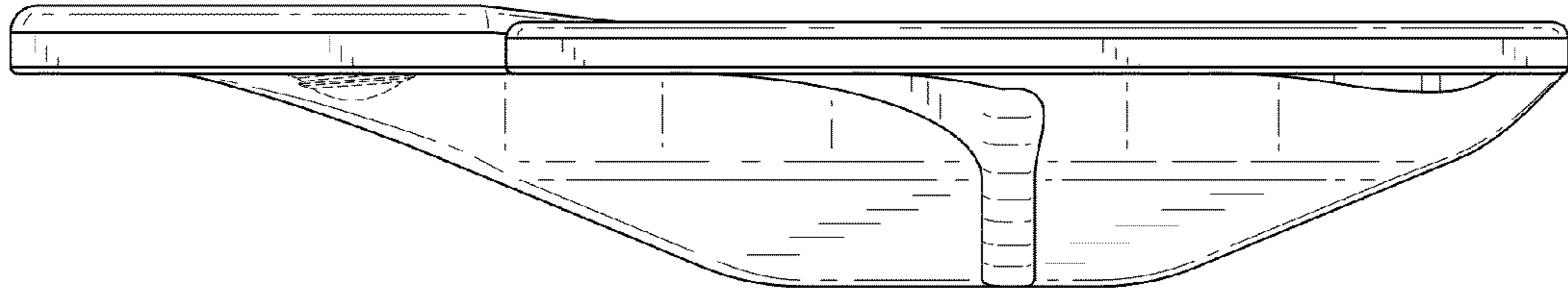


FIG. 3

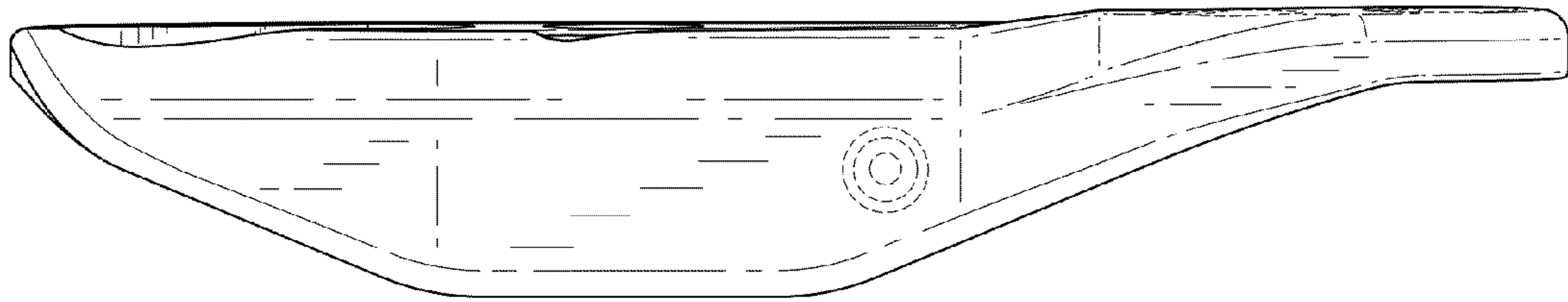


FIG. 4

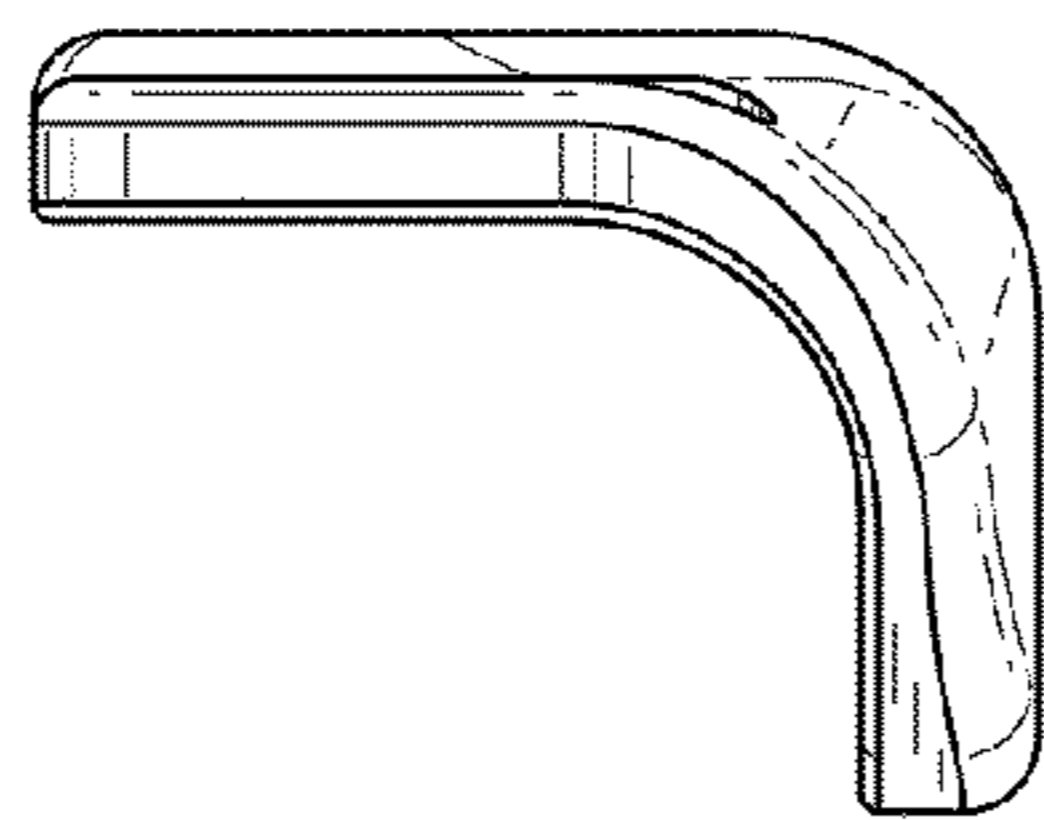


FIG. 5

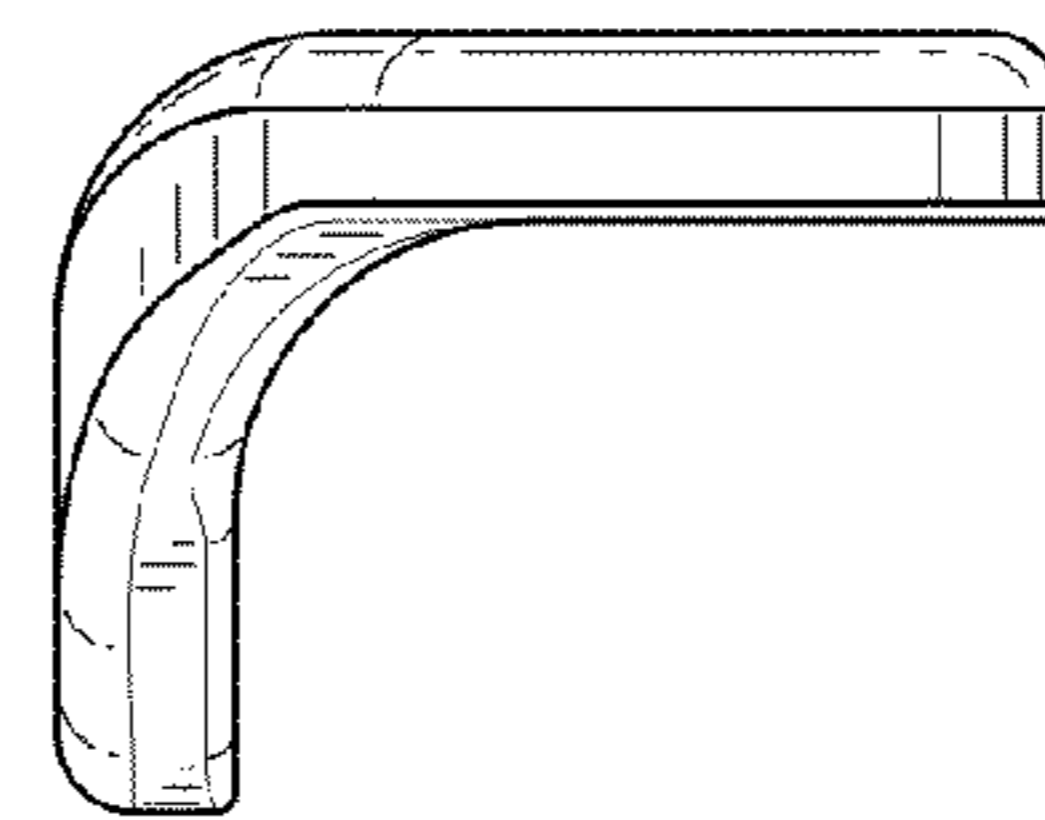


FIG. 6

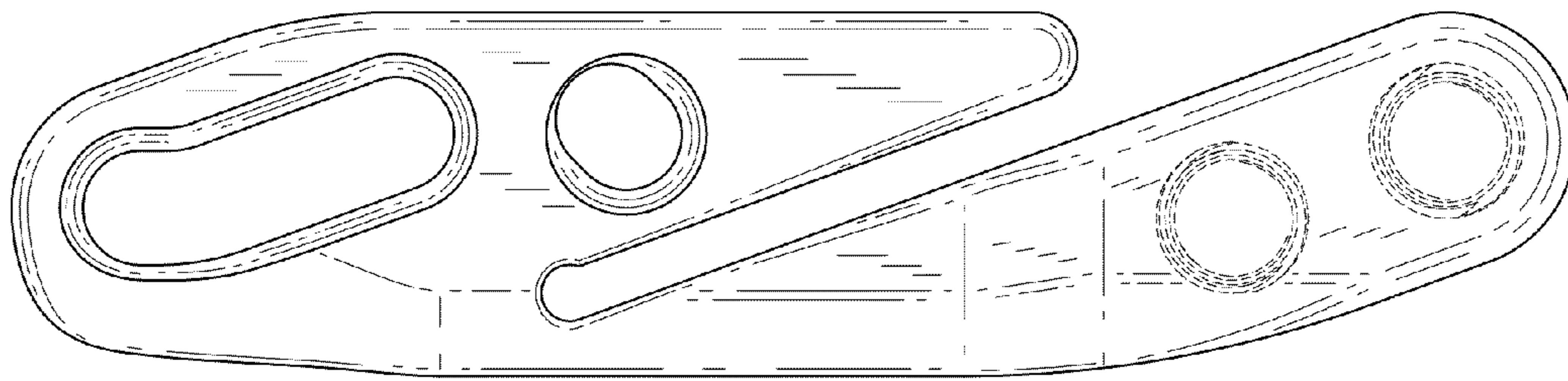


FIG. 7

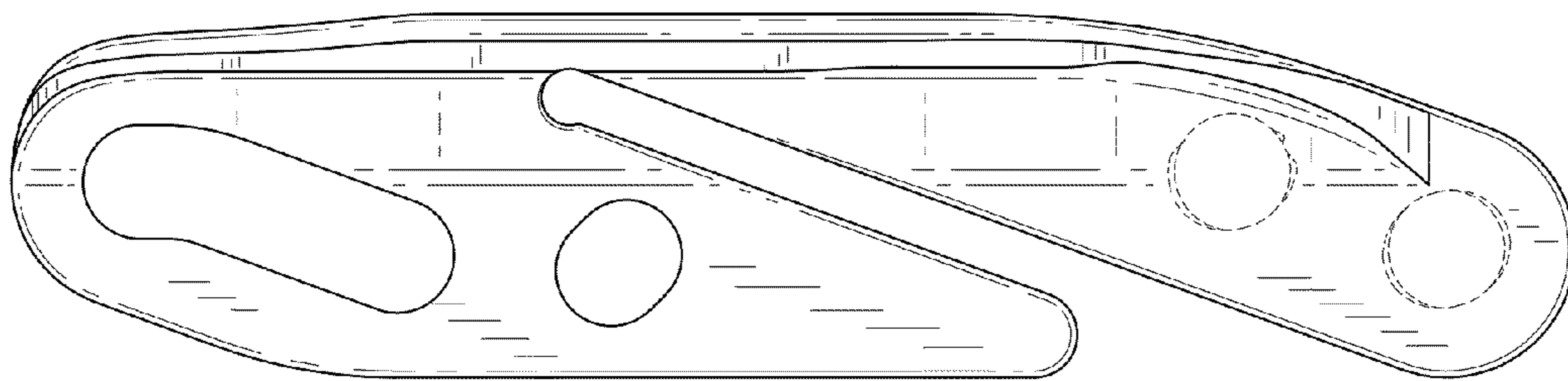


FIG. 8