



US00D737973S

(12) **United States Design Patent**
Nagele et al.

(10) **Patent No.:** **US D737,973 S**
(45) **Date of Patent:** **** Sep. 1, 2015**

(54) **TROCAR SLEEVE**
(71) Applicant: **KARL STORZ GmbH & Co. KG**,
Tuttlingen (DE)
(72) Inventors: **Udo Nagele**, Woergl (AT); **Uwe Wittke**,
Tuttlingen-Moehringen (DE)
(73) Assignee: **KARL STORZ GmbH & Co. KG**,
Tuttlingen (DE)

(**) Term: **14 Years**
(21) Appl. No.: **29/504,236**
(22) Filed: **Oct. 3, 2014**

(30) **Foreign Application Priority Data**
Apr. 3, 2014 (EM) 002439679-0001
(51) **LOC (10) Cl.** **24-02**
(52) **U.S. Cl.**
USPC **D24/146**
(58) **Field of Classification Search**
USPC D7/649; D8/93, 97, 300, 310, 311, 313;
D19/110, 115; D24/127, 130, 133,
D24/146, 147, 148
CPC B26B 3/00; B26B 1/10; B26B 5/005;
A61B 17/809; A61B 17/1617; A61B 17/3211;
A61B 5/1411; A61B 17/3417
See application file for complete search history.

(56) **References Cited**
U.S. PATENT DOCUMENTS
D211,323 S * 6/1968 Falk D8/300
D345,419 S * 3/1994 Horrigan et al. D24/130

D351,022 S * 9/1994 Saito D24/146
5,697,947 A * 12/1997 Wolf et al. 606/185
D397,437 S * 8/1998 Hlavicka D24/146
D454,394 S * 3/2002 Jansen D24/130
D590,945 S * 4/2009 Berberich D24/146
D594,119 S * 6/2009 Berberich et al. D24/133
D714,934 S * 10/2014 Kawamura D24/130
D726,907 S * 4/2015 Trump D24/130
D727,499 S * 4/2015 Schad et al. D24/146
2012/0123460 A1 * 5/2012 Winfree et al. 606/185
2015/0088177 A1 * 3/2015 Jezierski 606/167

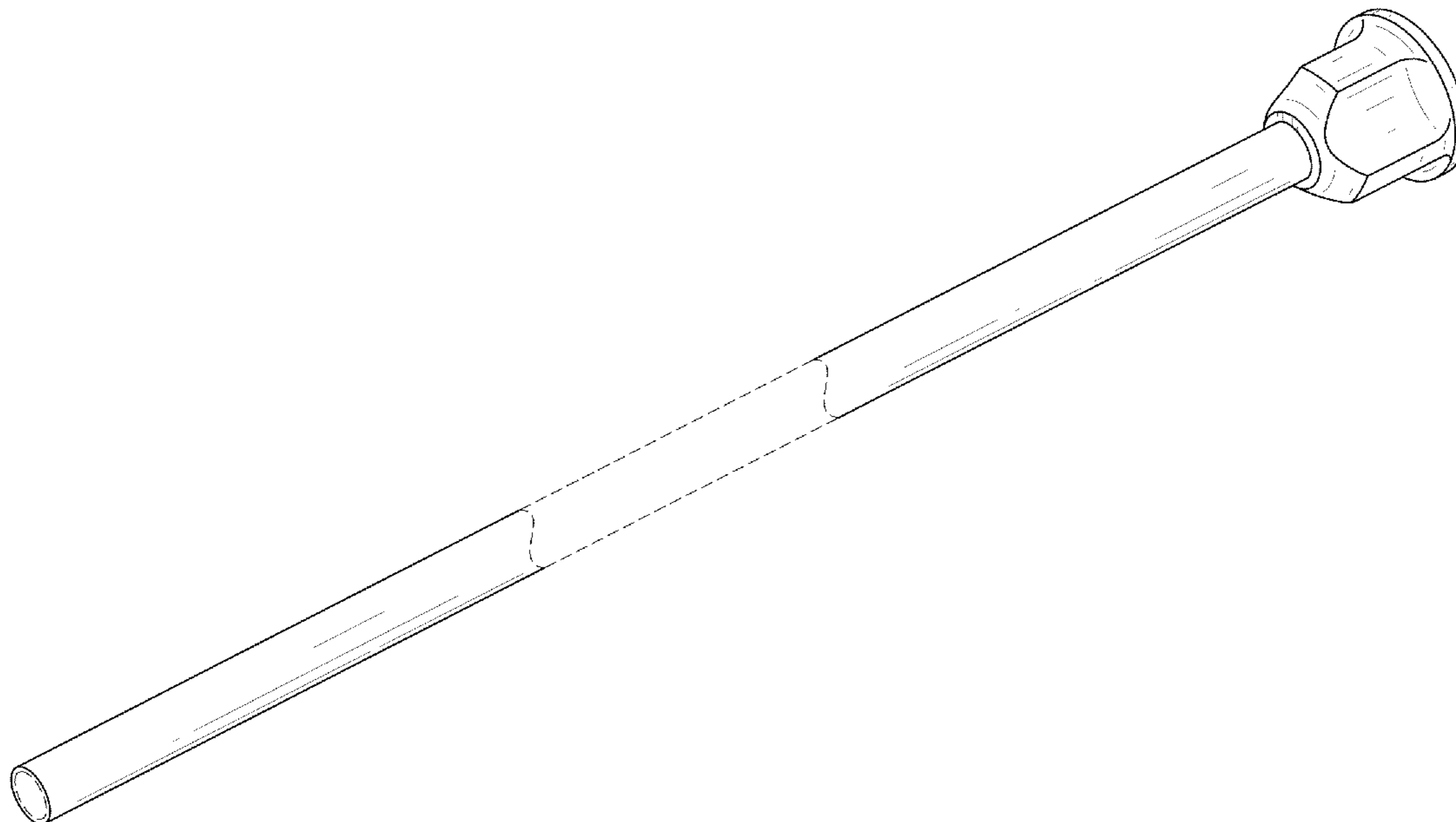
* cited by examiner

Primary Examiner — Robert M Spear
Assistant Examiner — Marissa J Cash
(74) *Attorney, Agent, or Firm* — Muncy, Geissler, Olds &
Lowe, P.C.

(57) **CLAIM**
The ornamental design for a trocar sleeve, as shown and
described.

DESCRIPTION
FIG. 1 is a perspective view of a trocar sleeve according to the
present invention.
FIG. 2 is a right side view of the trocar sleeve of FIG. 1.
FIG. 3 is a left side view of the trocar sleeve of FIG. 1.
FIG. 4 is a front perspective view of the trocar sleeve of FIG.
1.
FIG. 5 is a rear perspective view of the trocar sleeve of FIG. 1;
and,
FIG. 6 is a rear view of the trocar sleeve of FIG. 1.
The dashed lines illustrate environment that does not form a
part of the present invention, and no claim is made to the
material illustrated with dashed lines.

1 Claim, 6 Drawing Sheets



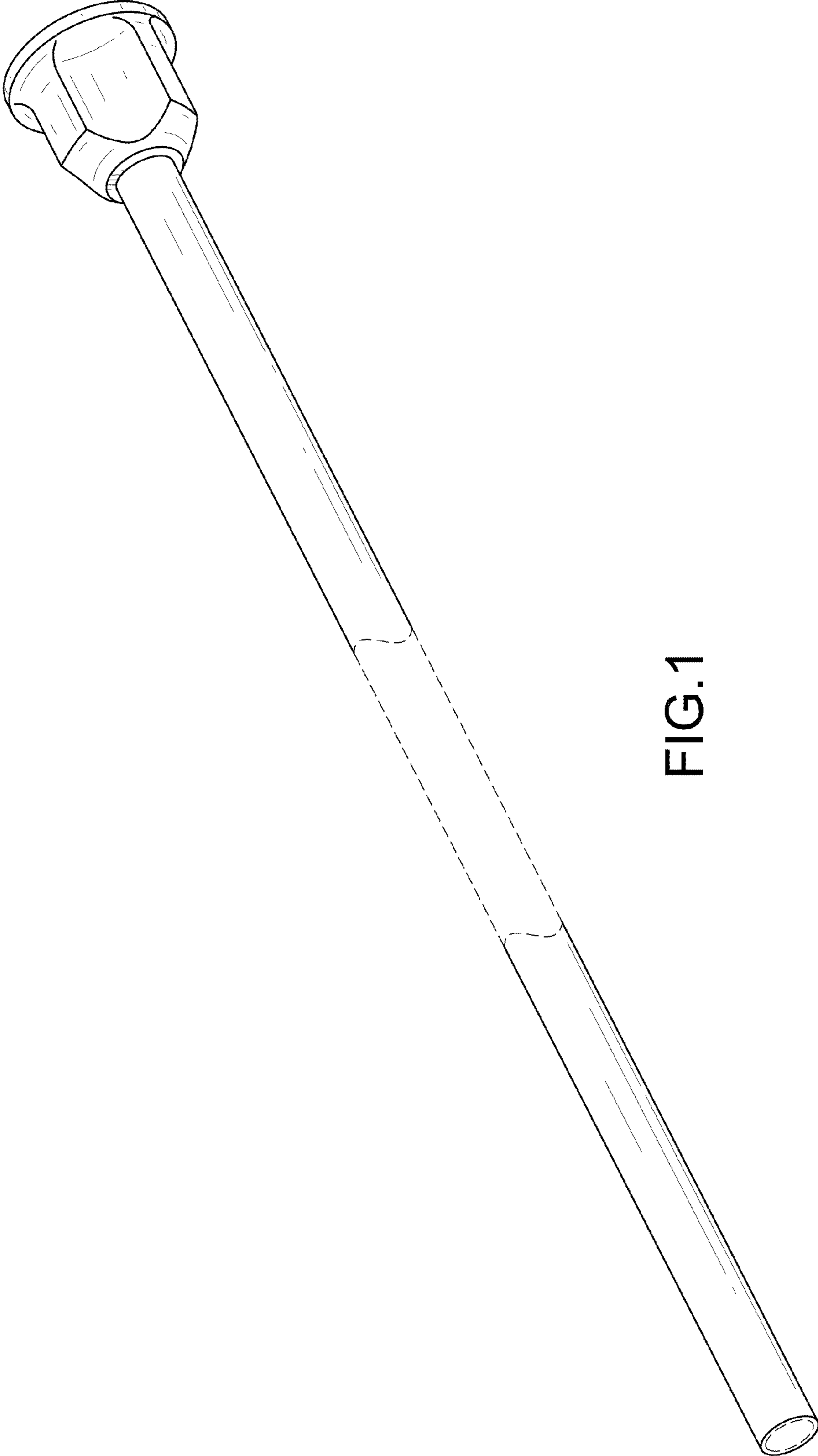


FIG.1

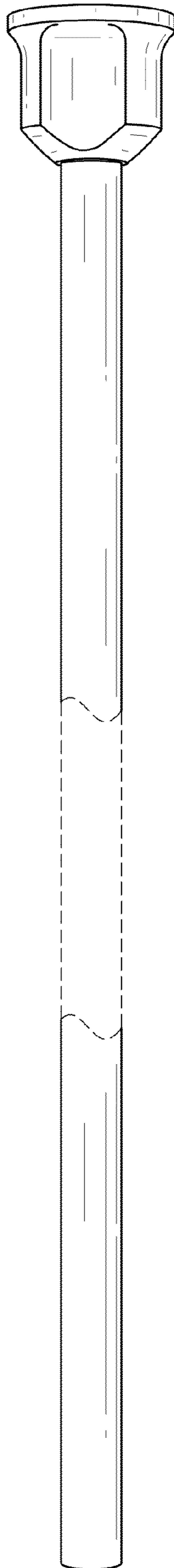


FIG. 2

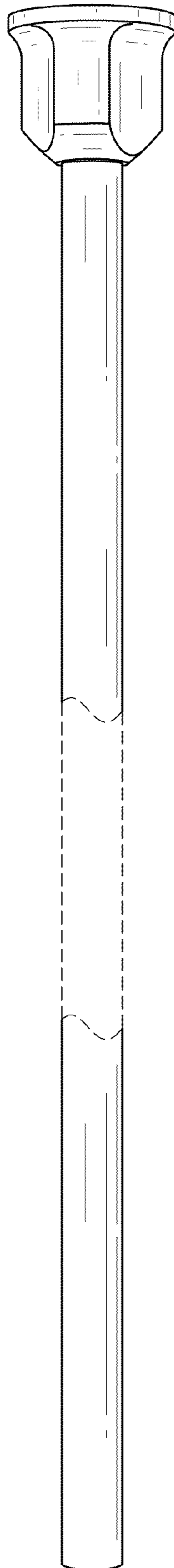


FIG.3

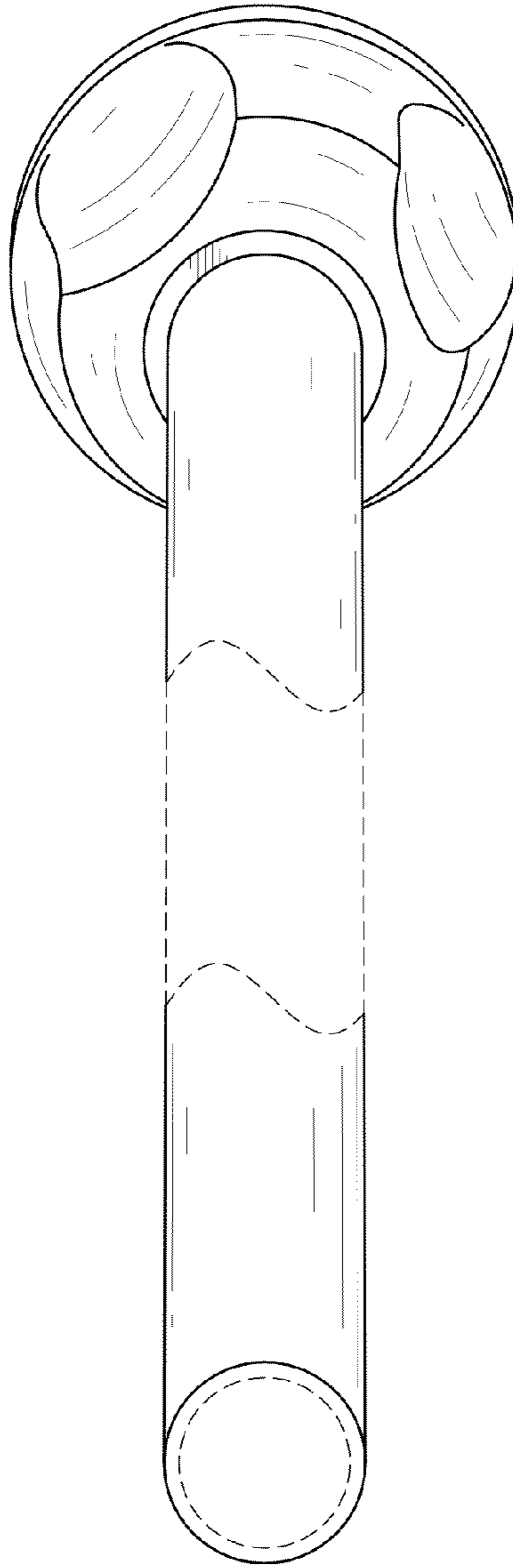


FIG.4

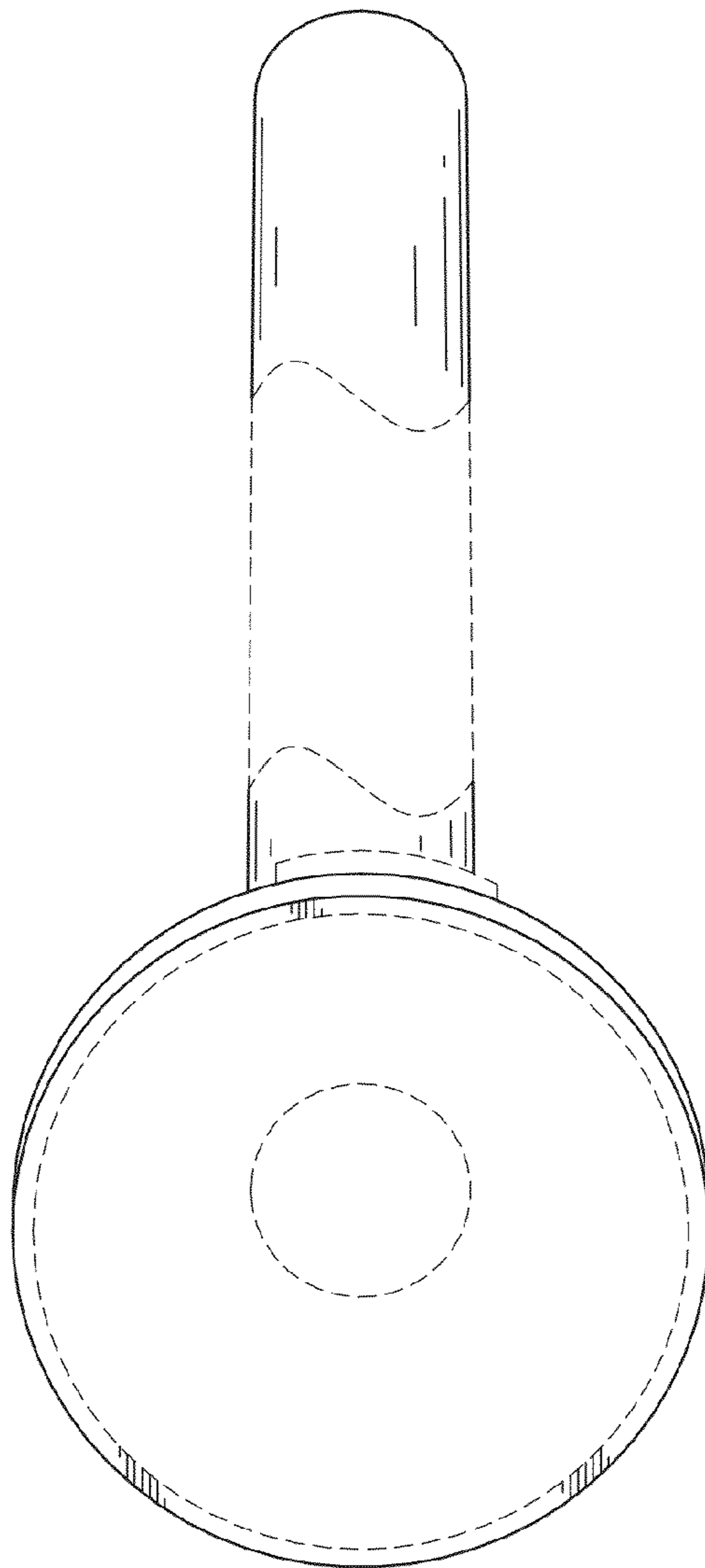


FIG.5

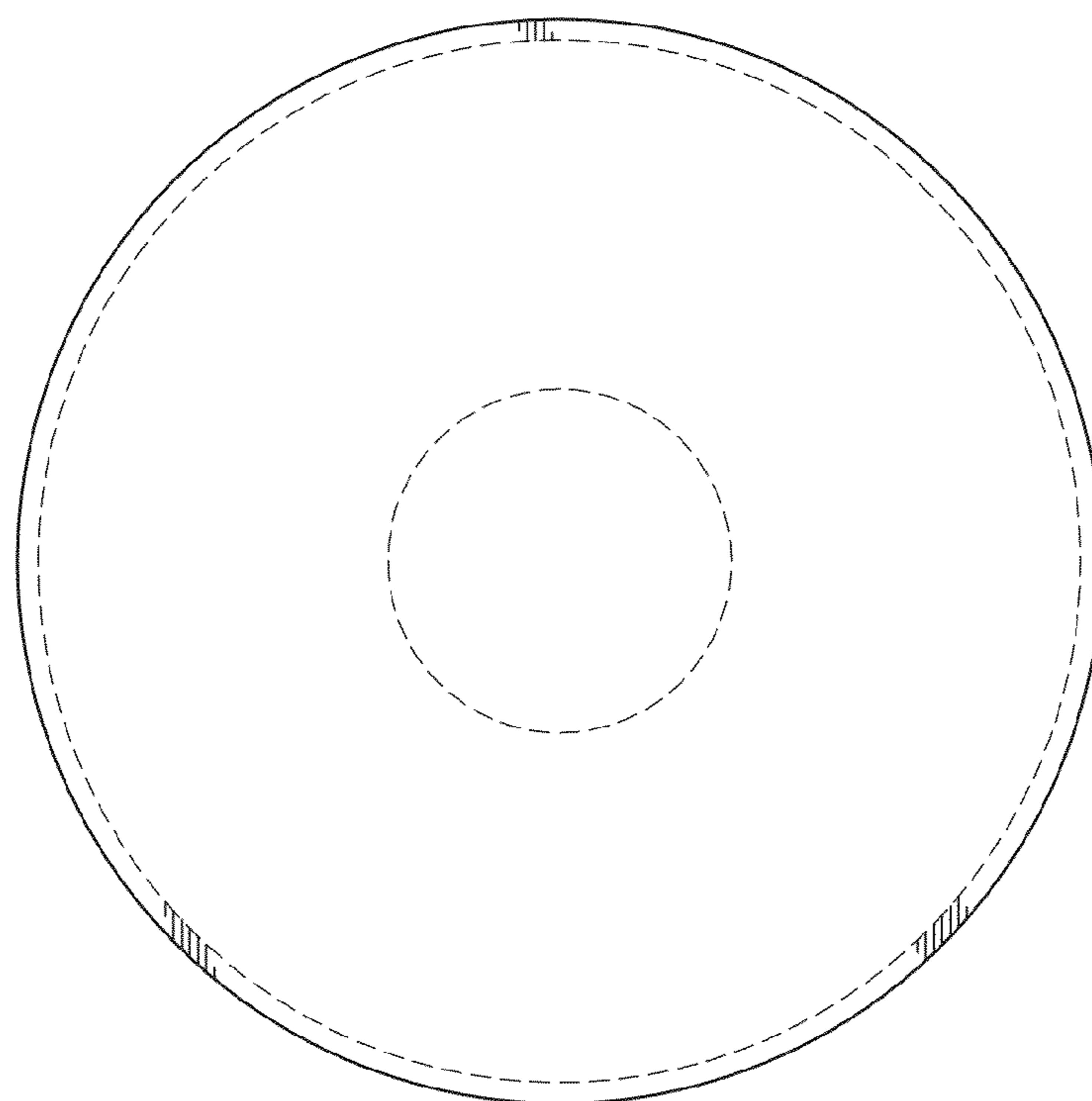


FIG.6