



US00D737972S

(12) **United States Design Patent**
Chen et al.

(10) **Patent No.:** **US D737,972 S**
(45) **Date of Patent:** **** Sep. 1, 2015**

(54) **TATTOO TUBE GRIP**

(76) Inventors: **Michael Chen**, Baldwin Park, CA (US);
Wen Wei, Baldwin Park, CA (US); **Billy Chen**, Baldwin Park, CA (US)

(**) **Term:** **14 Years**

(21) **Appl. No.:** **29/425,317**

(22) **Filed:** **Jun. 21, 2012**

(51) **LOC (10) Cl.** **24-02**

(52) **U.S. Cl.**

USPC **D24/146**; D24/133

(58) **Field of Classification Search**

USPC D24/127, 133, 140, 144, 145, 146, 147;
606/167, 184, 185, 186; D8/8, 303;
D19/174, 199

CPC A61B 1/05; A61B 1/07; A61B 17/1671;
A61B 17/1617

See application file for complete search history.

(56) **References Cited**

U.S. PATENT DOCUMENTS

4,159,659	A *	7/1979	Nightingale	81/9.22
D294,519	S *	3/1988	Hardy, Jr.	D24/144
D380,046	S *	6/1997	Domanowski	D24/144
6,251,108	B1 *	6/2001	Irion et al.	606/41
6,550,356	B1 *	4/2003	Underwood	81/9.22
D551,707	S *	9/2007	Neuenschwander et al.	D19/47
8,228,666	B2 *	7/2012	Rickard	361/679.01
D677,790	S *	3/2013	Little et al.	D24/133
D686,728	S *	7/2013	Chen et al.	D24/144
D691,263	S *	10/2013	Chen et al.	D24/144
D696,923	S *	1/2014	Ichikawa	D8/303
D723,685	S *	3/2015	Myers	D24/144
2002/0083798	A1 *	7/2002	Godoy et al.	81/9.22
2009/0090218	A1 *	4/2009	Jarboe et al.	81/9.22
2010/0154597	A1 *	6/2010	South	81/9.22

2012/0209307	A1 *	8/2012	Snijders	606/186
2012/0265232	A1 *	10/2012	Surbone	606/186
2014/0025099	A1 *	1/2014	Morrison	606/186

OTHER PUBLICATIONS

Big Mag Tubes. dated 2015. found online [Mar. 14, 2015] http://protattooandmedicalsupply.com/product_info.php?products_id=1120.*

Disposable Tattoo Grips. dated 2015. found online [Mar. 14, 2015] <http://www.dhgate.com/product/disposable-tattoo-grips-tubes-sterilized/155143291.html>.*

Wrath Gen 2 Vortex Tubes. dated 2015. found online [Mar. 14, 2015] www.tatsoulspearman.co.uk/store/index.php.*

* cited by examiner

Primary Examiner — Robert M Spear

Assistant Examiner — Marissa J Cash

(74) *Attorney, Agent, or Firm* — Rankin, Hill & Clark LLP

(57) **CLAIM**

The ornamental design for a tattoo tube grip, as shown and described.

DESCRIPTION

FIG. 1 is a perspective view of a tattoo tube grip showing our new design;

FIG. 2 is a side elevational view thereof;

FIG. 3 is a top view thereof;

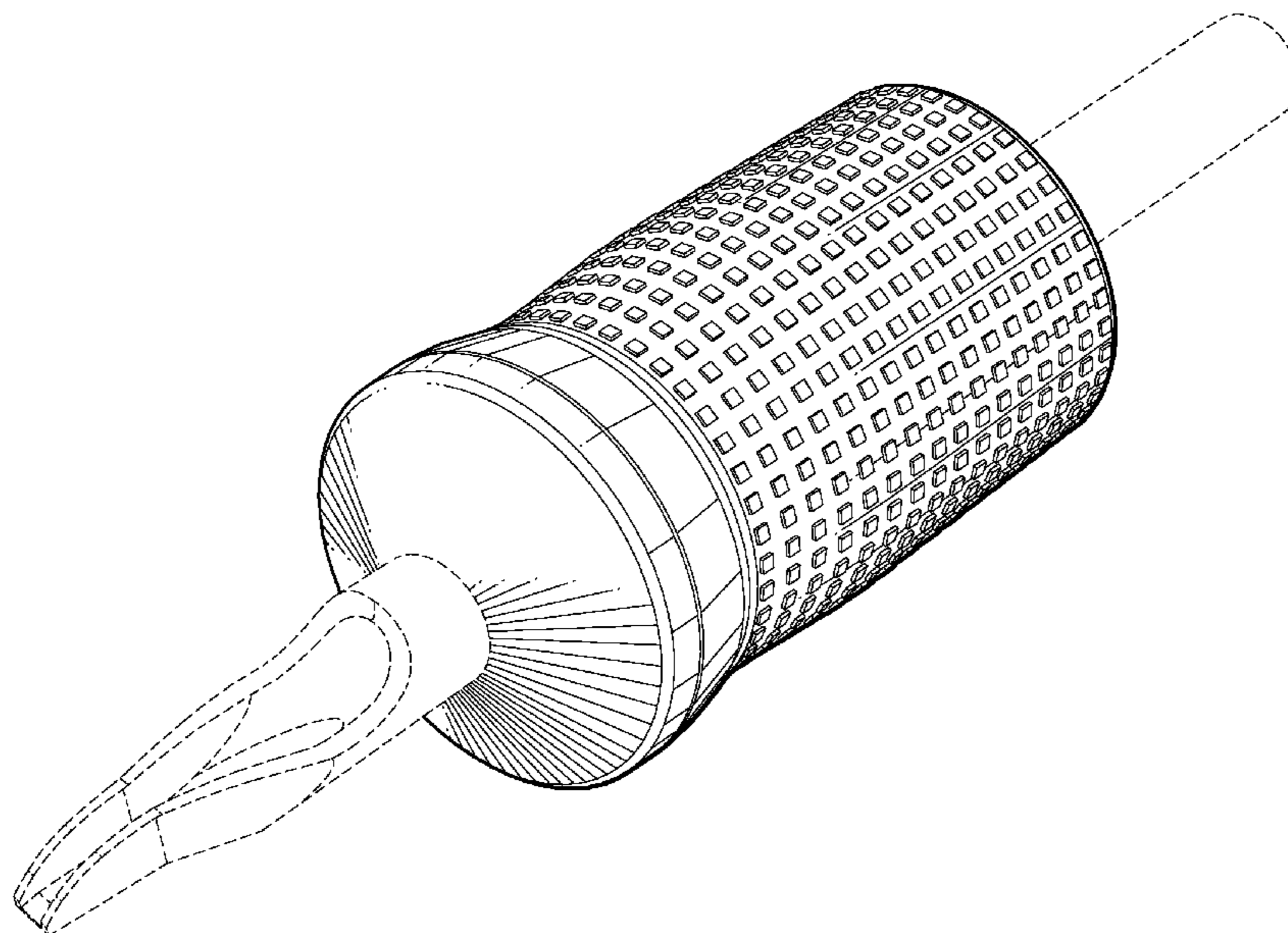
FIG. 4 is an underside view thereof;

FIG. 5 is a front elevational view thereof; and,

FIG. 6 is a rear elevational view thereof.

The dashed broken lines are for the purpose of illustrating environment related to the claimed designs and form no part of the claimed designs.

1 Claim, 5 Drawing Sheets



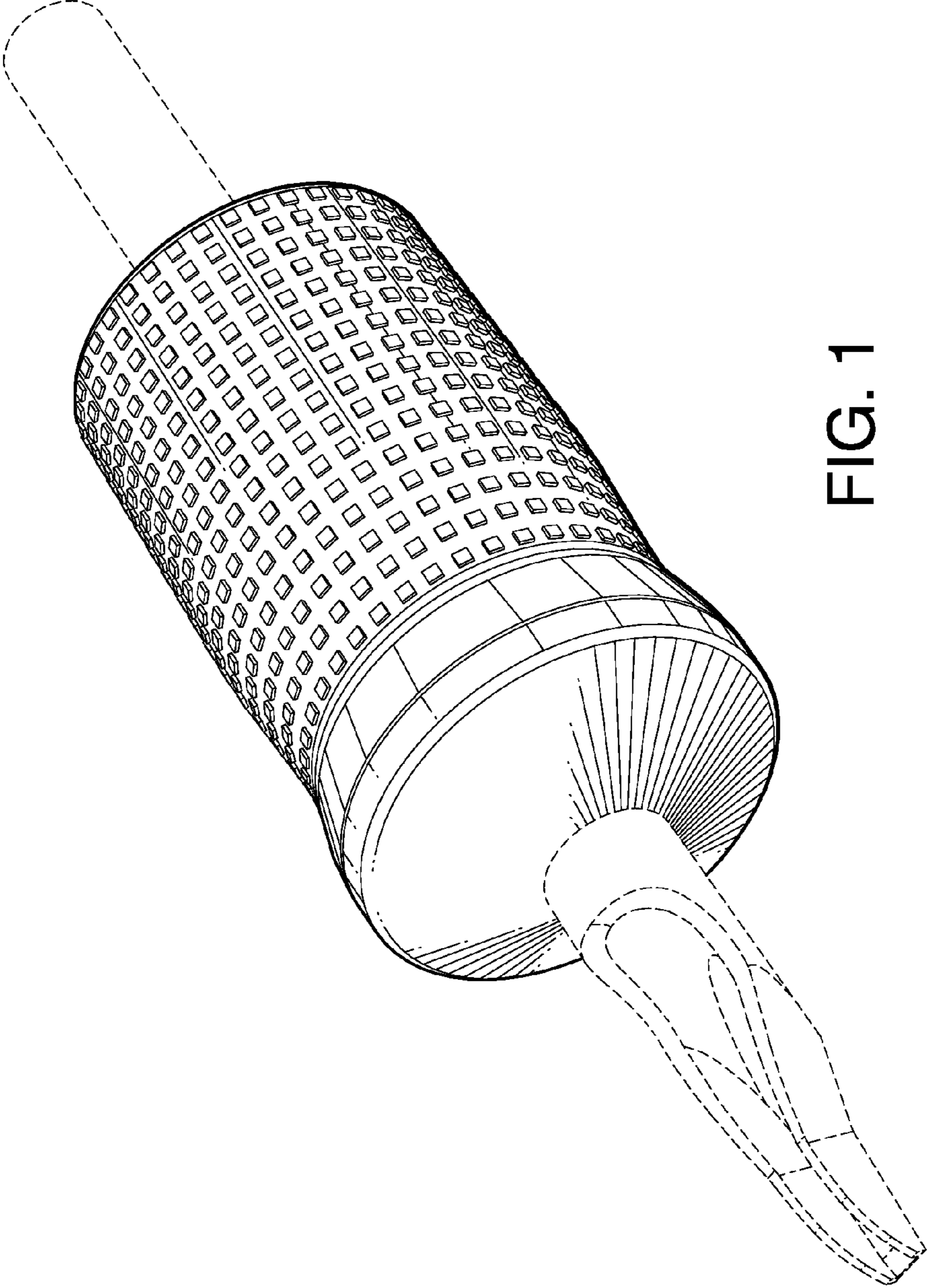


FIG. 1

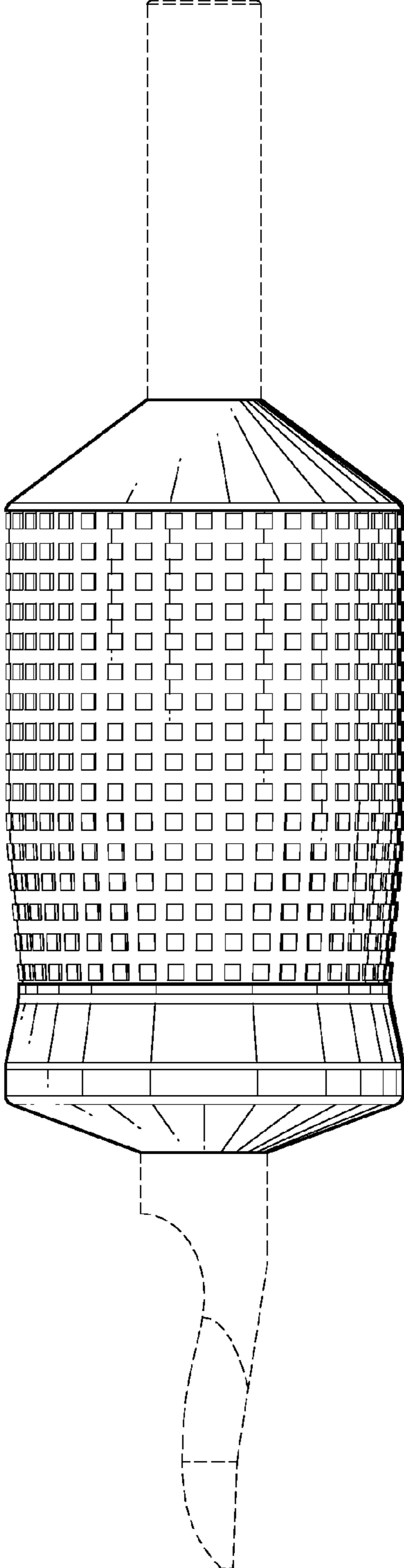


FIG. 2

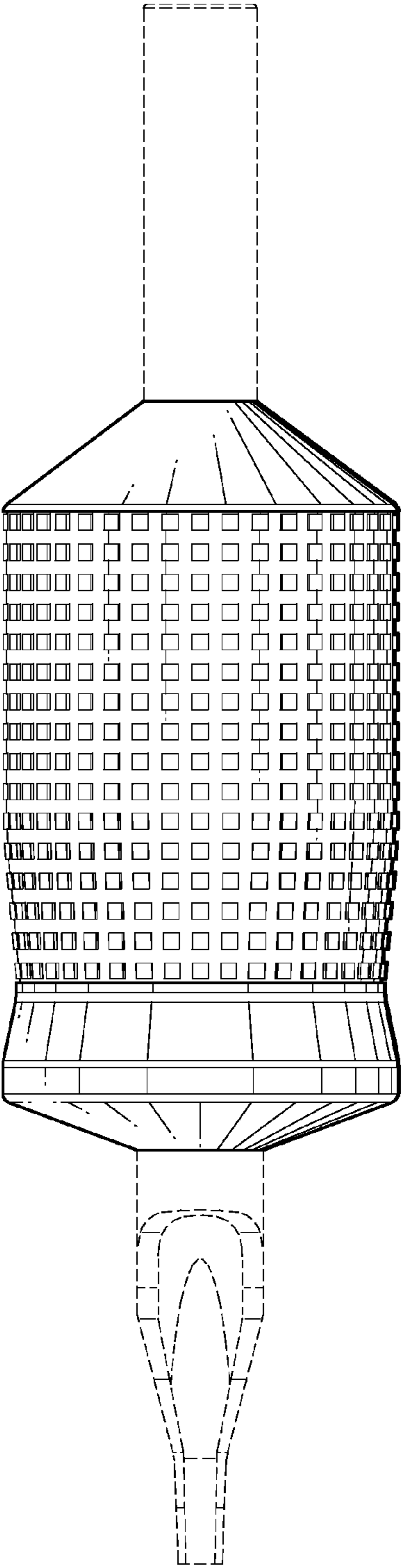


FIG. 3

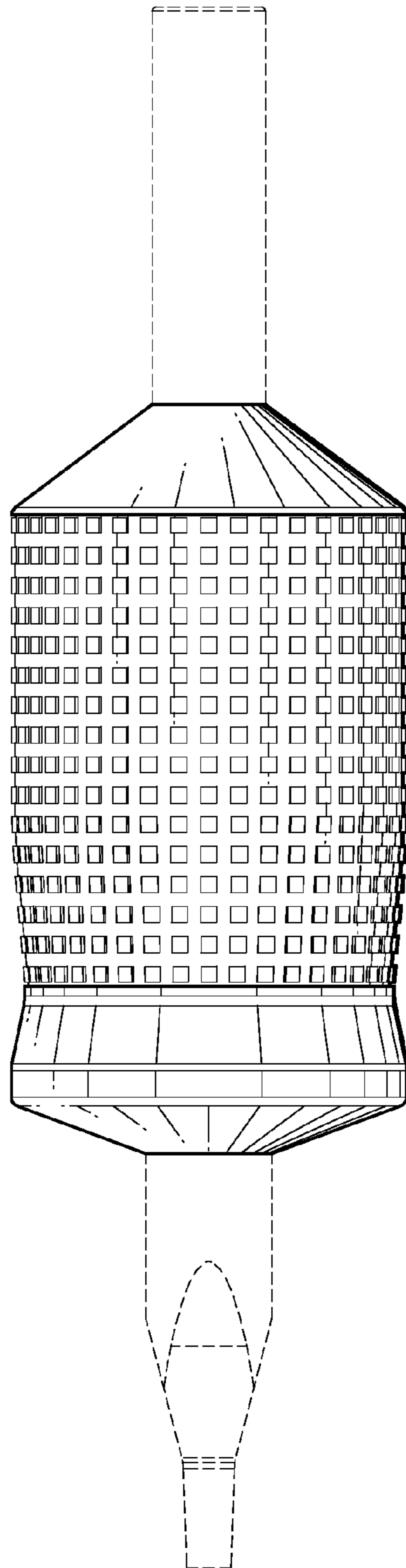


FIG. 4

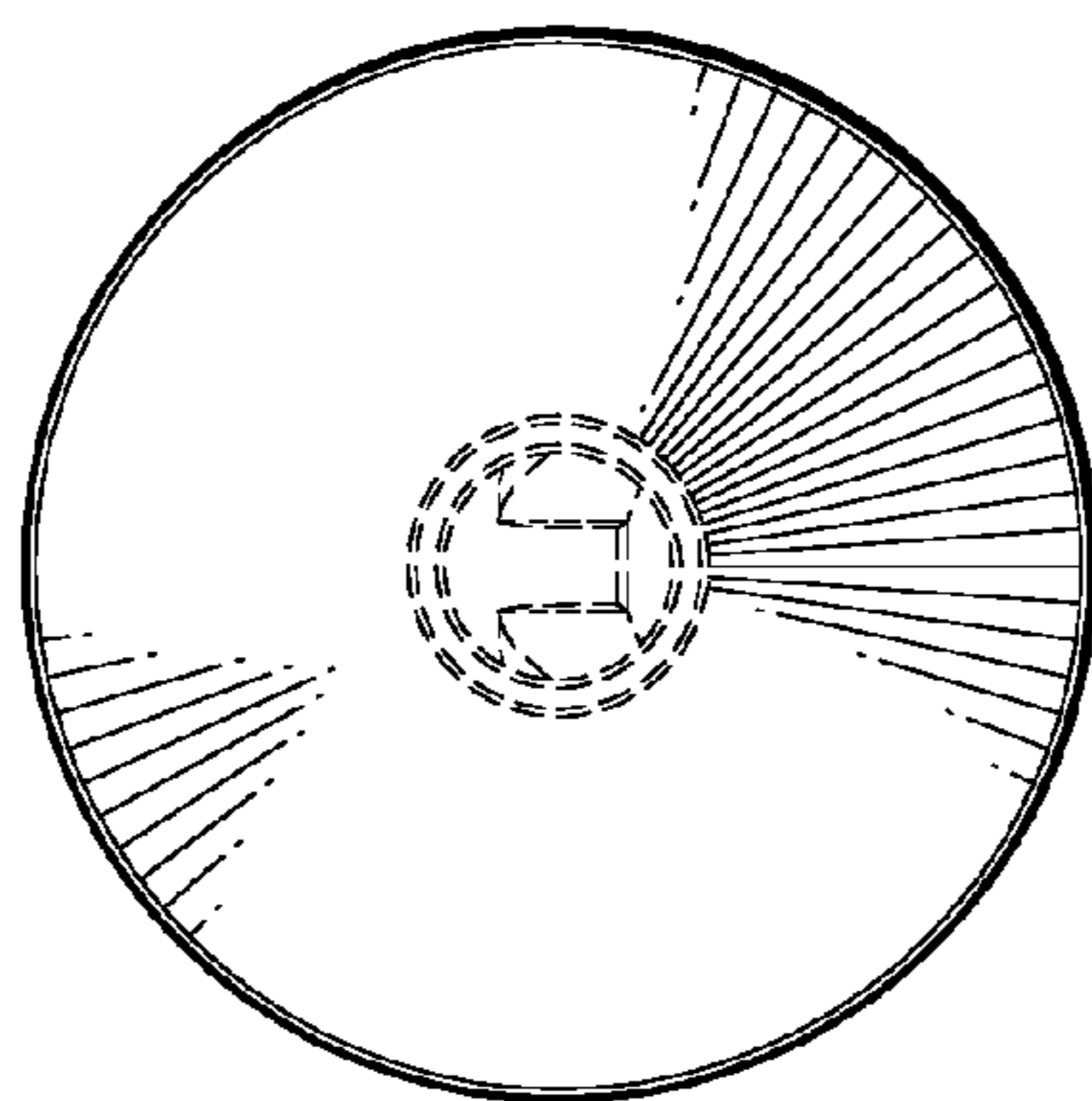


FIG. 6

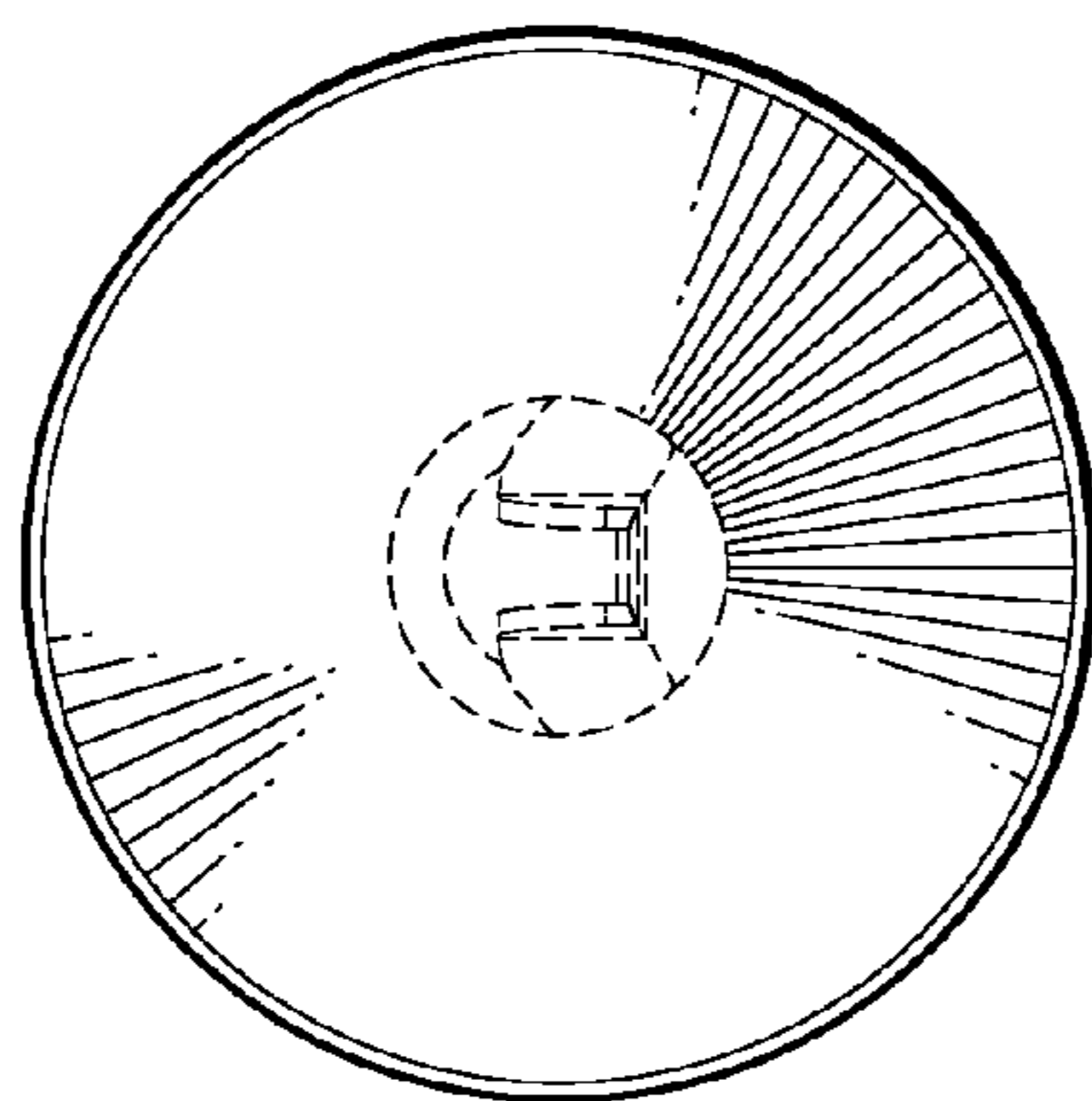


FIG. 5