



US00D737970S

(12) **United States Design Patent**
Shalon et al.

(10) **Patent No.:** **US D737,970 S**
(45) **Date of Patent:** **** Sep. 1, 2015**

(54) **TRANSPARENT ANAL PLUG**

(56) **References Cited**

(71) Applicant: **Renew Medical Inc.**, Menlo Park, CA (US)

U.S. PATENT DOCUMENTS

(72) Inventors: **Tidhar Shalon**, Palo Alto, CA (US);
Guy Kotlisky, K-far Shemaryahu (IL)

2,653,599	A *	9/1953	Bell	606/191
3,675,642	A *	7/1972	Lord	606/197
3,894,539	A *	7/1975	Tallent	606/197
4,686,985	A *	8/1987	Lottick	606/192
5,030,199	A *	7/1991	Barwick et al.	600/29
5,090,424	A *	2/1992	Simon et al.	128/885
5,131,906	A *	7/1992	Chen	600/29
5,513,659	A *	5/1996	Buuck et al.	128/885
5,722,931	A *	3/1998	Heaven	600/29
6,129,083	A *	10/2000	Jansen	128/885
7,553,273	B2 *	6/2009	Ferguson et al.	600/29
8,439,819	B2 *	5/2013	Shalon et al.	600/32
D695,403	S *	12/2013	Shalon et al.	D24/141
2010/0152529	A1 *	6/2010	Shalon et al.	600/30

(73) Assignee: **Renew Medical Inc.**, Palo Alto, CA (US)

(**) Term: **14 Years**

(21) Appl. No.: **29/469,903**

(22) Filed: **Oct. 16, 2013**

* cited by examiner

Related U.S. Application Data

(60) Division of application No. 29/423,621, filed on Jun. 3, 2012, now Pat. No. Des. 695,403, which is a continuation of application No. 12/376,294, filed on Feb. 4, 2009, now abandoned.

Primary Examiner — Wan Laymon

(74) *Attorney, Agent, or Firm* — Ash Tankha; Lipton, Weinberger & Husick

(51) **LOC (10) Cl.** **24-02**

(57) **CLAIM**

The ornamental design for a transparent anal plug, as shown and described.

(52) **U.S. Cl.**
USPC **D24/141**

DESCRIPTION

(58) **Field of Classification Search**
USPC D24/133, 140-141, 215, 107; 128/885;
600/29-30, 32; 604/332, 335, 337;
606/114, 191, 197

FIG. 1 is a front view of the transparent anal plug showing our design;

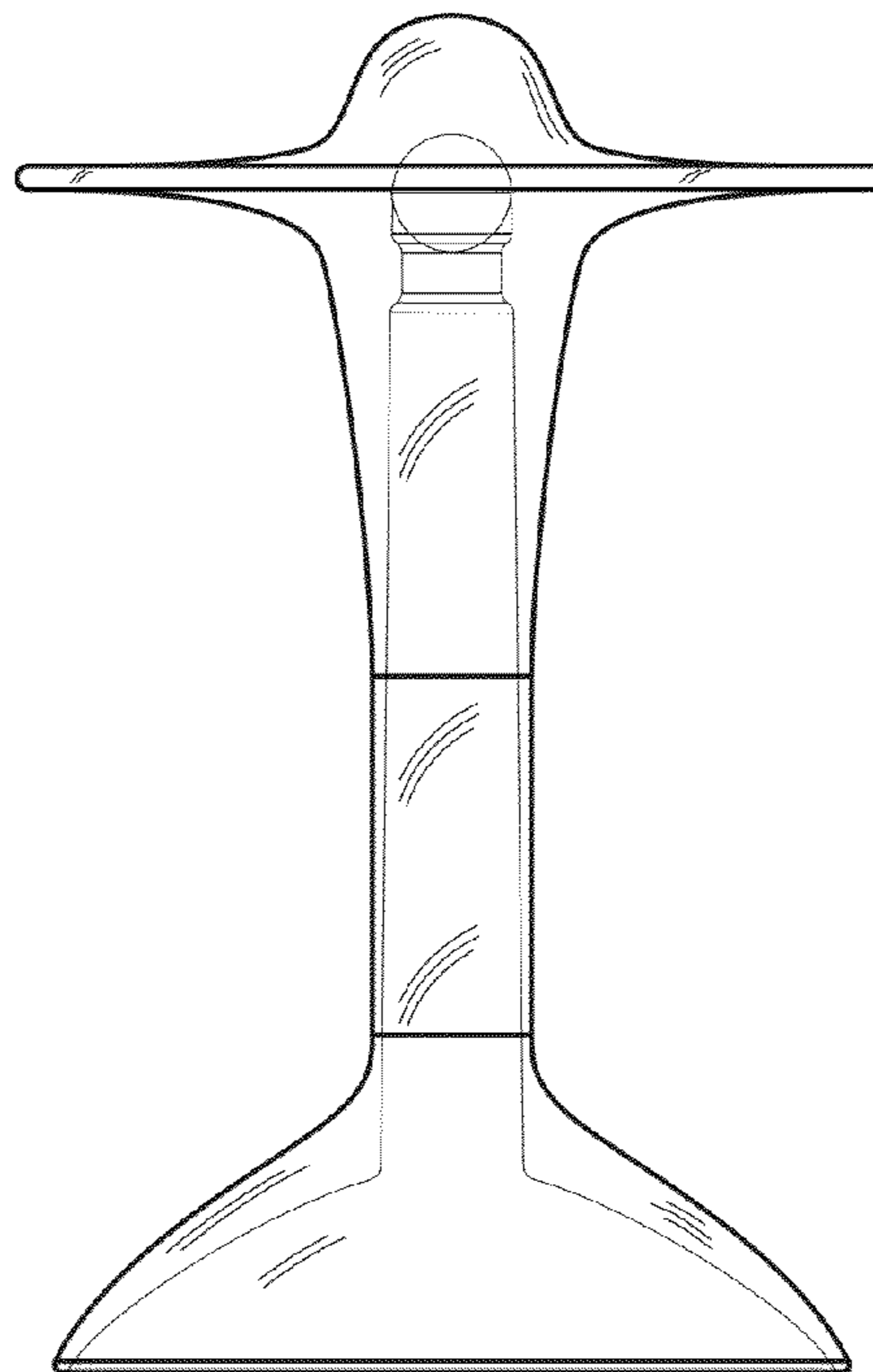
FIG. 2 is a left side view thereof;

FIG. 3 is a top view thereof; and,

FIG. 4 is a bottom view thereof.

See application file for complete search history.

1 Claim, 3 Drawing Sheets



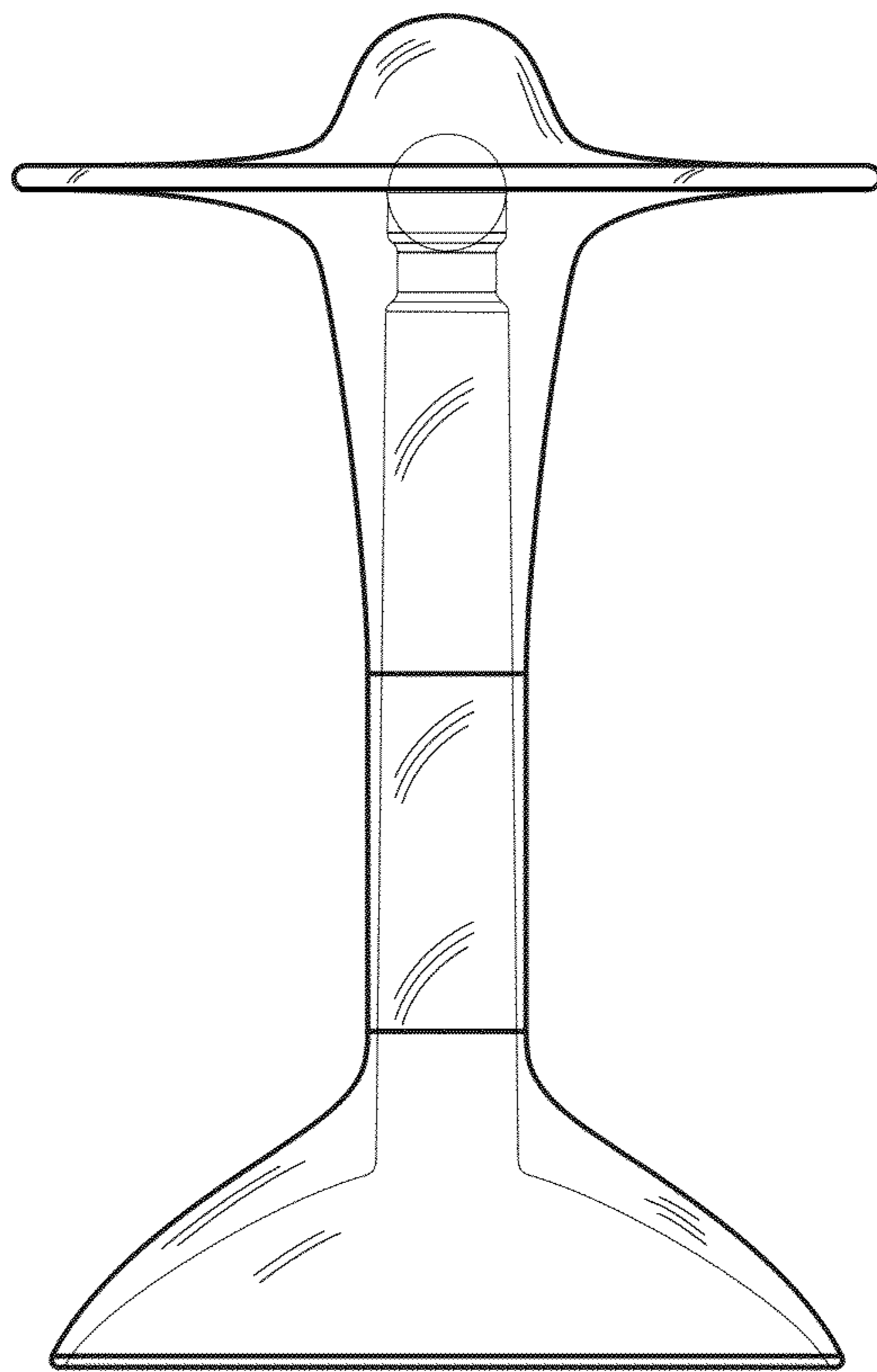


Fig. 1

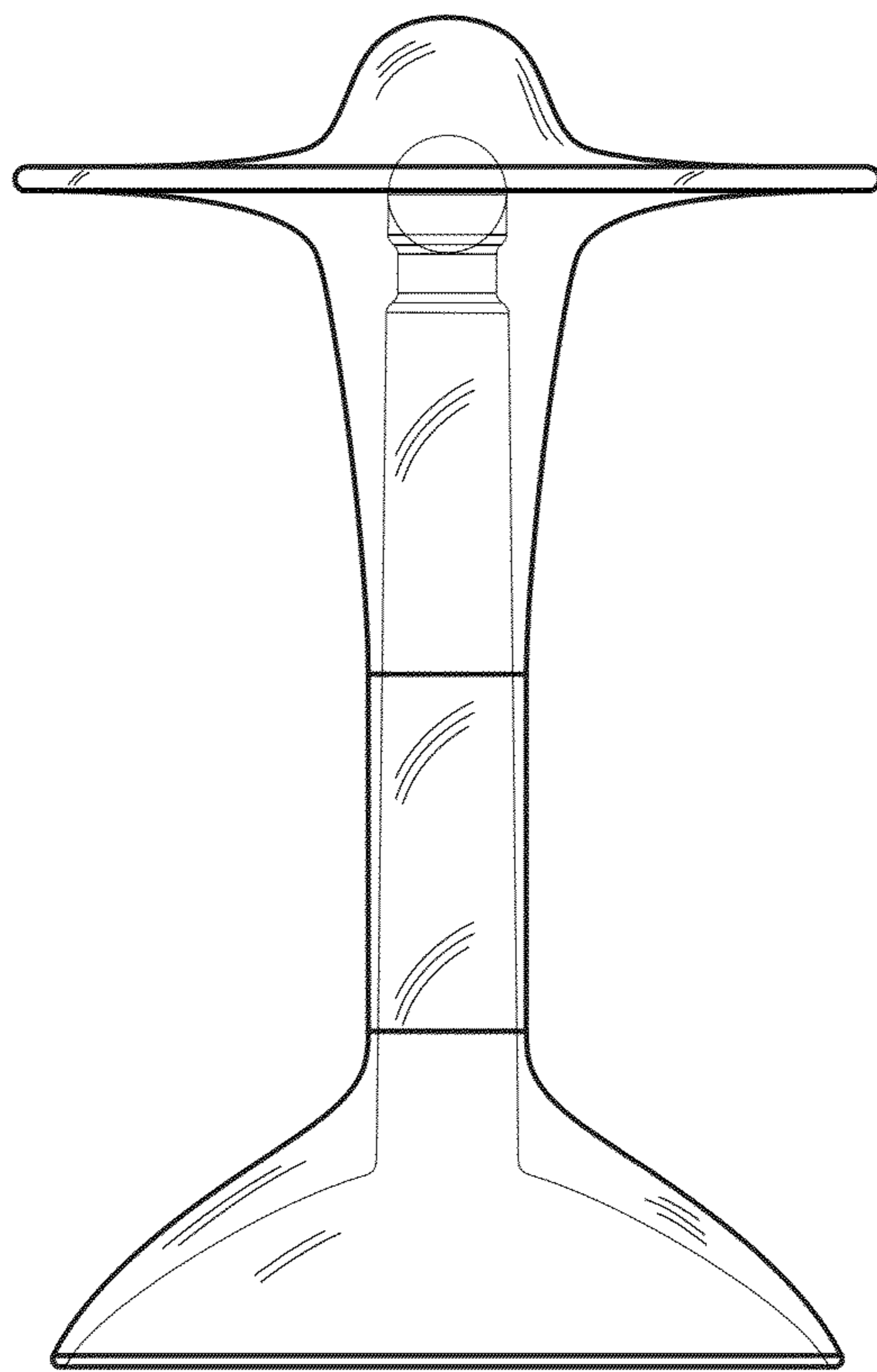


Fig. 2

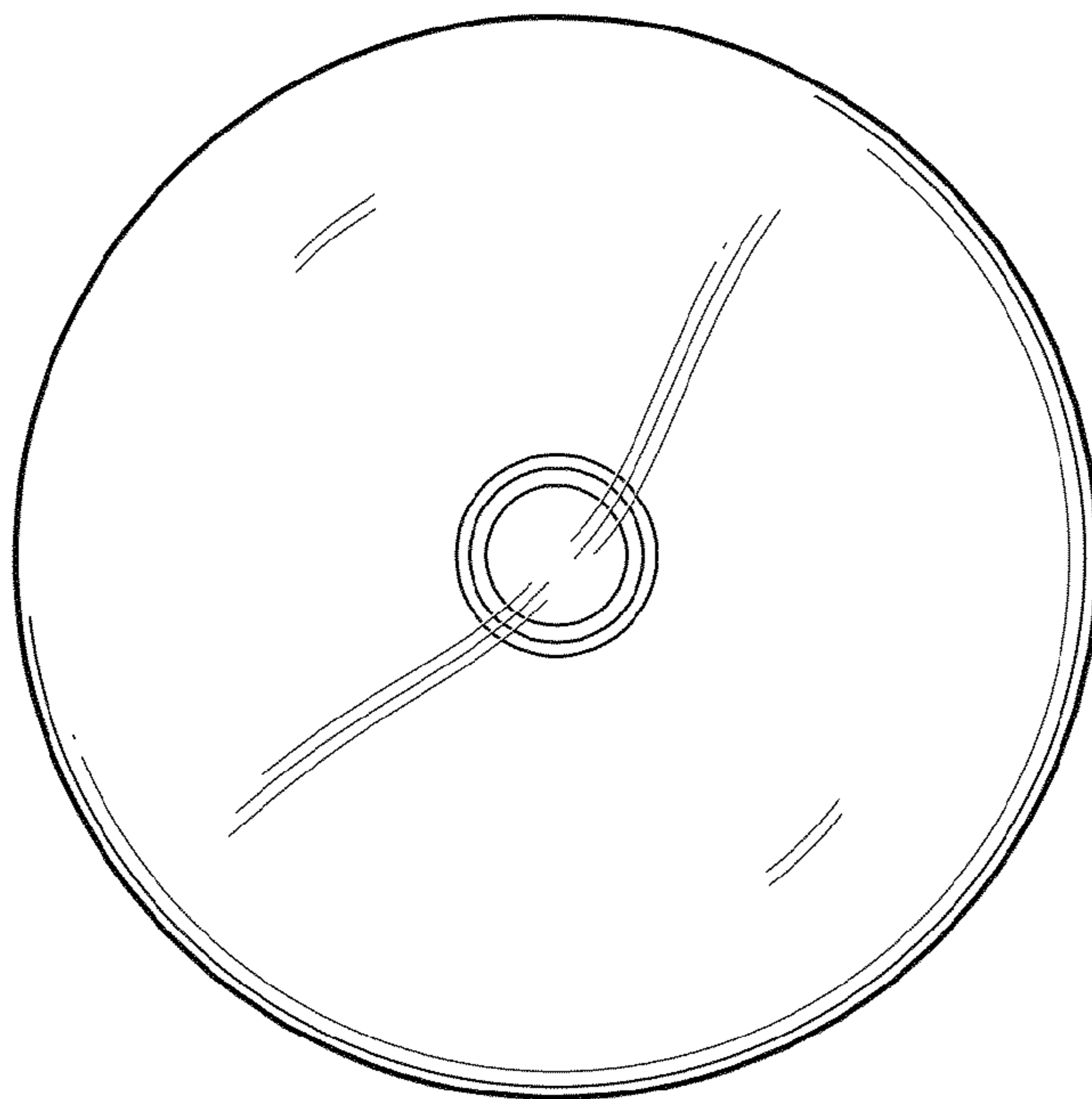


FIG. 3

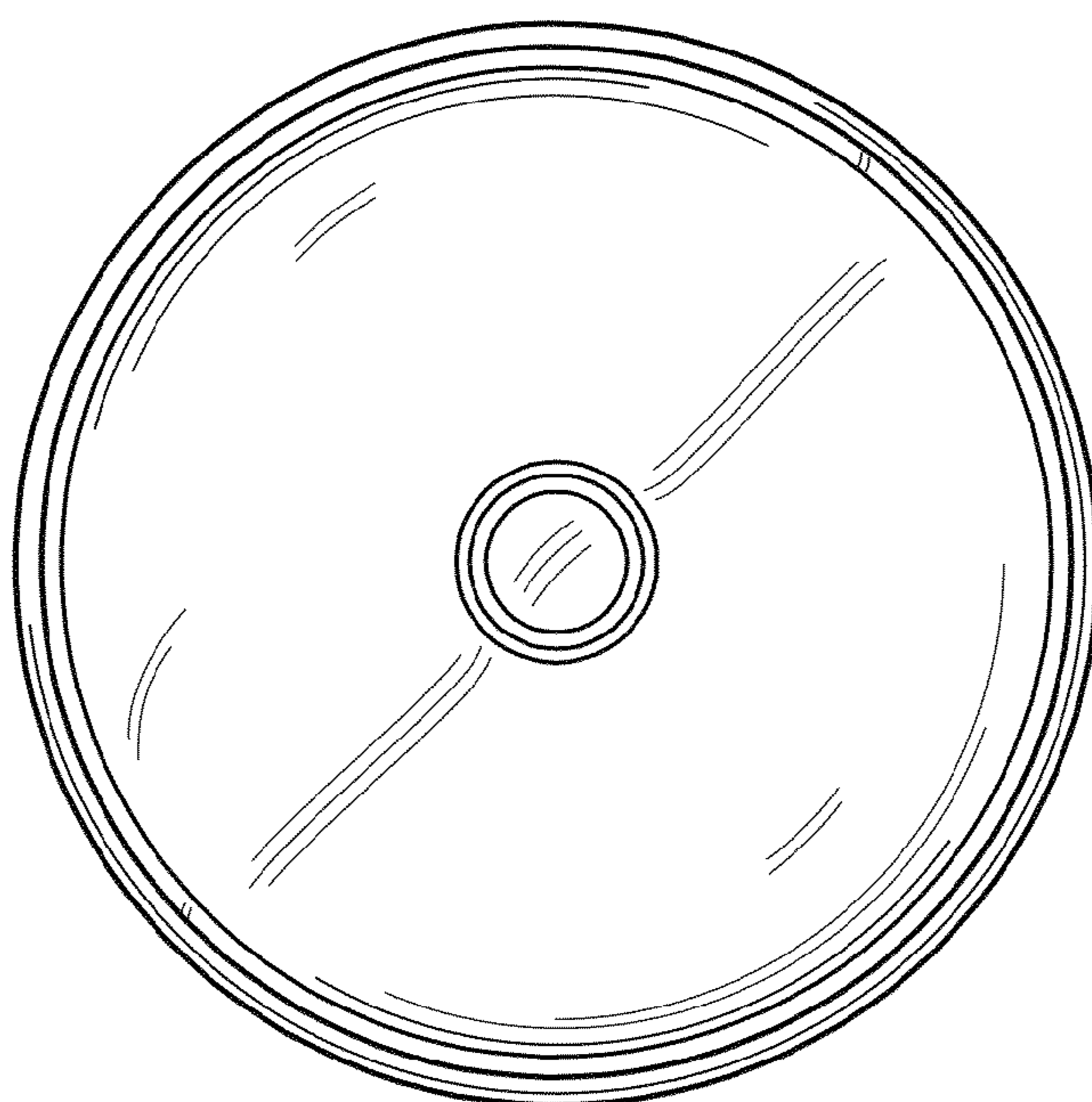


FIG. 4