



US00D737969S

(12) **United States Design Patent**
Leyendecker et al.

(10) **Patent No.:** **US D737,969 S**

(45) **Date of Patent:** **** Sep. 1, 2015**

(54) **FEMALE INTRAVAGINAL INCONTINENCE DEVICE**

(71) Applicants: **Kimberly S. Leyendecker**, Royal Palm Beach, FL (US); **Jennifer P. Benedict**, Lake Worth, FL (US)

(72) Inventors: **Kimberly S. Leyendecker**, Royal Palm Beach, FL (US); **Jennifer P. Benedict**, Lake Worth, FL (US)

(**) Term: **14 Years**

(21) Appl. No.: **29/467,681**

(22) Filed: **Sep. 21, 2013**

(51) **LOC (10) Cl.** **24-02**

(52) **U.S. Cl.**
USPC **D24/141**

(58) **Field of Classification Search**
USPC 600/29, 31, 32; 604/279, 385.1, 11-18;
D24/141, 140, 147, 121, 122;
128/DIG. 25, 884, 885, 830, 841
See application file for complete search history.

(56) **References Cited**

U.S. PATENT DOCUMENTS

D272,945	S	*	3/1984	Suhel et al.	D24/214
4,574,791	A	*	3/1986	Mitchener	600/38
D291,918	S	*	9/1987	Spits	D24/141
5,213,557	A	*	5/1993	Firth	482/105
5,865,715	A	*	2/1999	Wallick	482/124
6,030,338	A	*	2/2000	Benderev	600/30
6,068,581	A	*	5/2000	Anderson	482/93
6,110,099	A	*	8/2000	Benderev	600/30
D458,681	S	*	6/2002	Sherlock et al.	D24/141
6,428,467	B1	*	8/2002	Benderev	600/30

6,478,726	B1	*	11/2002	Zunker	600/29
6,530,879	B1	*	3/2003	Adamkiewicz	600/30
6,770,025	B2	*	8/2004	Zunker	600/29
7,998,056	B2	*	8/2011	Stifter et al.	600/38
2009/0247930	A1	*	10/2009	Fung	604/16

* cited by examiner

Primary Examiner — Wan Laymon

Assistant Examiner — Mark Booker

(74) *Attorney, Agent, or Firm* — Nancy J. Flint, Esq.; Nancy J. Flint, Attorney At Law, P.A.

(57) **CLAIM**

The ornamental design for a female intravaginal incontinence device, as shown and described.

DESCRIPTION

FIG. 1 is a front perspective view of a female intravaginal incontinence device showing our new design; FIG. 2 is a front view of a female intravaginal incontinence device; FIG. 3 is a right side view of the female intravaginal incontinence device; FIG. 4 is a bottom view of the female intravaginal incontinence device; FIG. 5 is a top view of the female intravaginal incontinence device; and, FIG. 6 is a perspective view of the female intravaginal incontinence device as worn by the user.

Left side views not shown are mirror images of right side views. Rear views not shown are mirror images of front views. Any broken lines illustrative of environmental structure in the drawings are not part of the design sought to be patented.

1 Claim, 3 Drawing Sheets

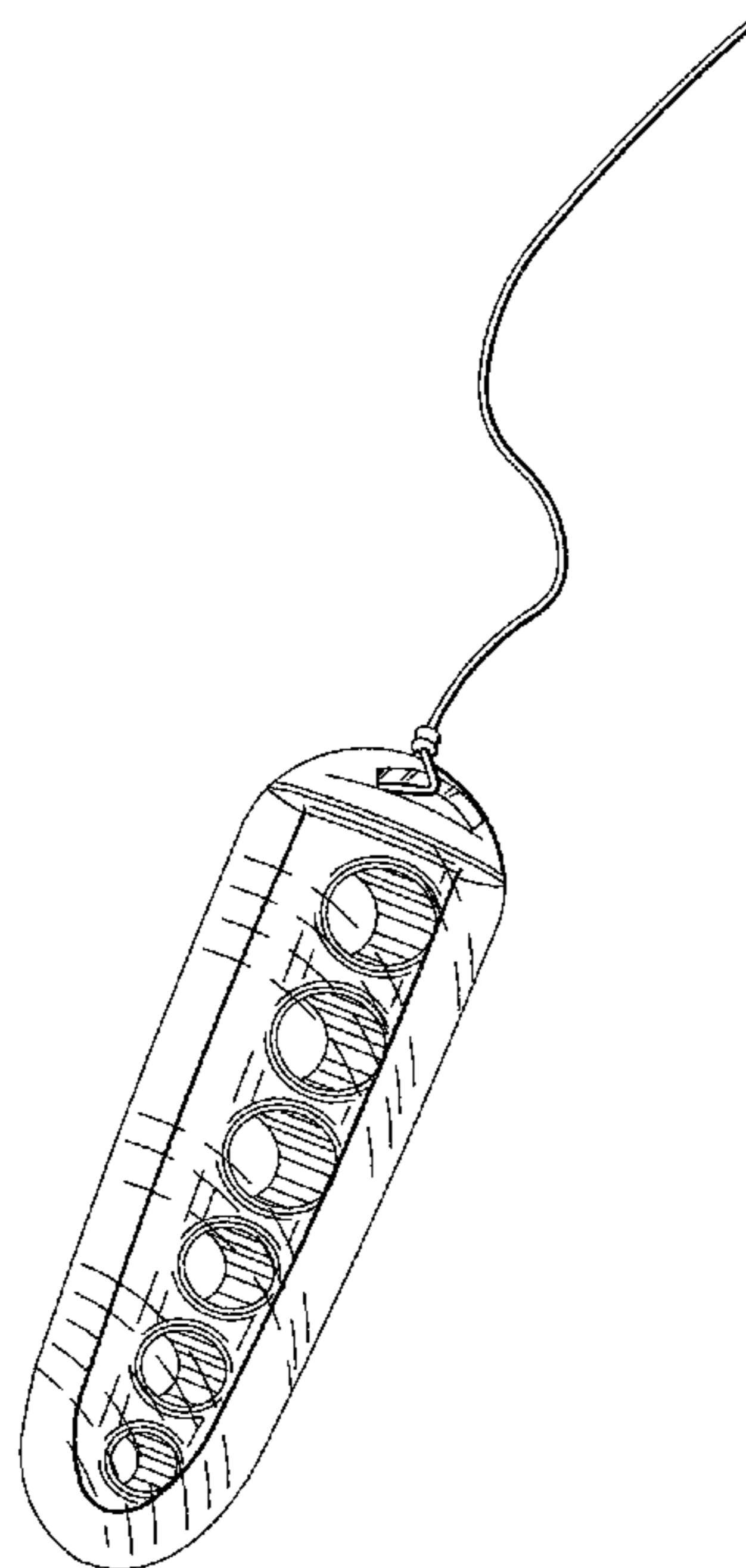


FIG. 1

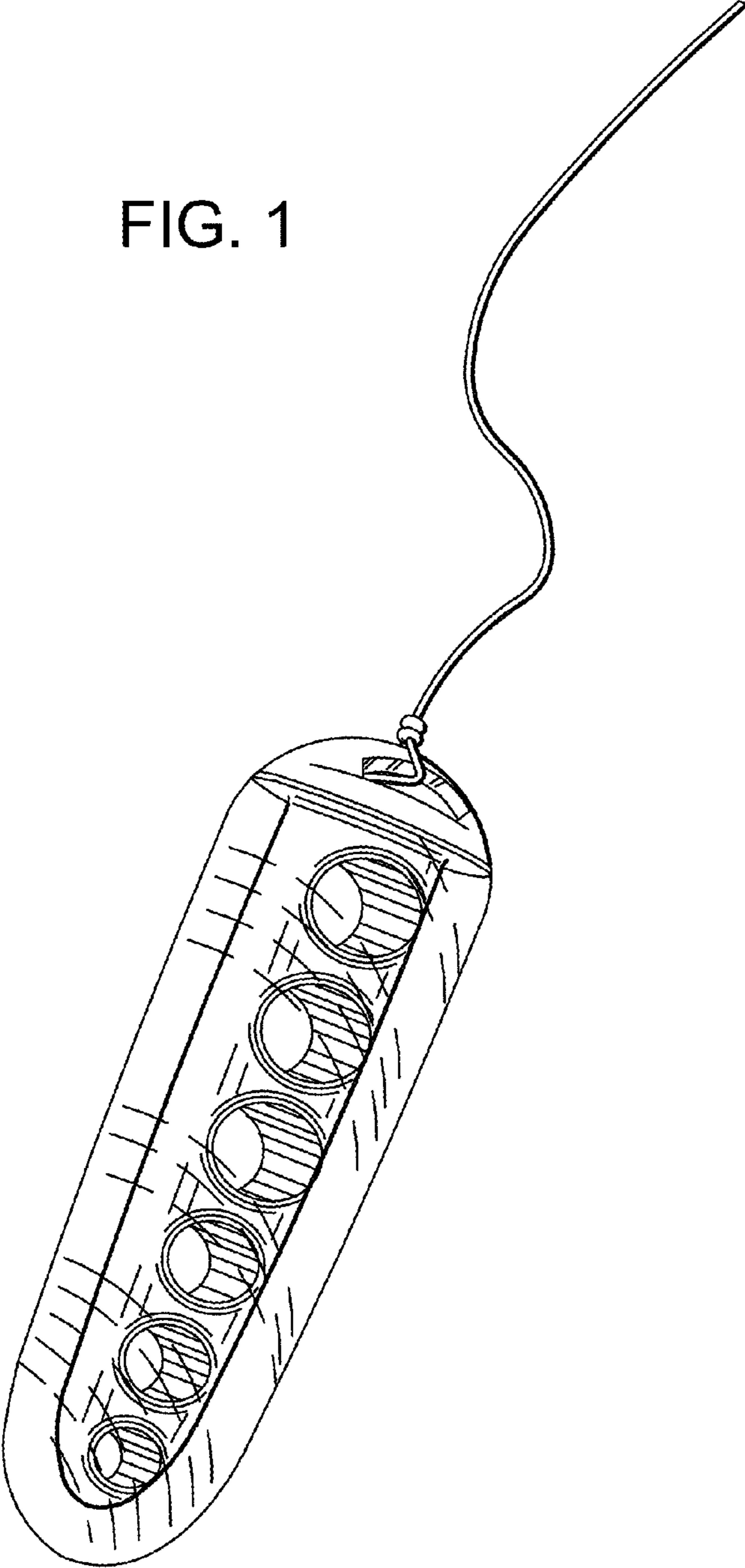


FIG. 2

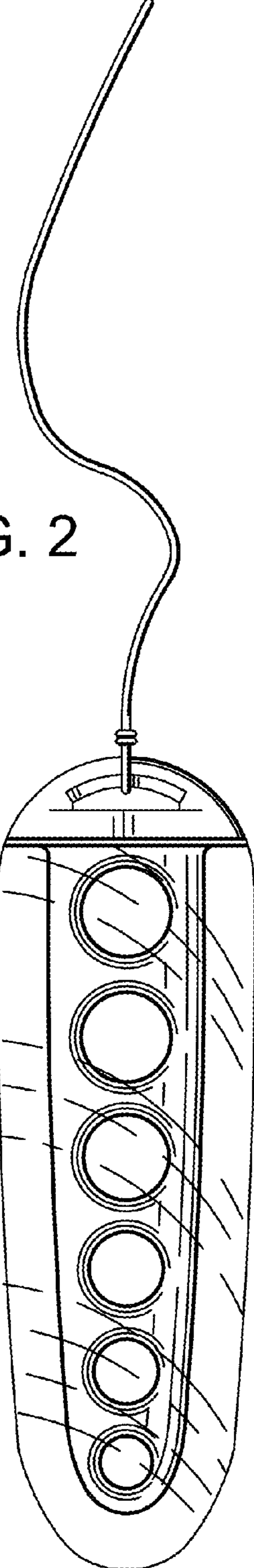


FIG. 3

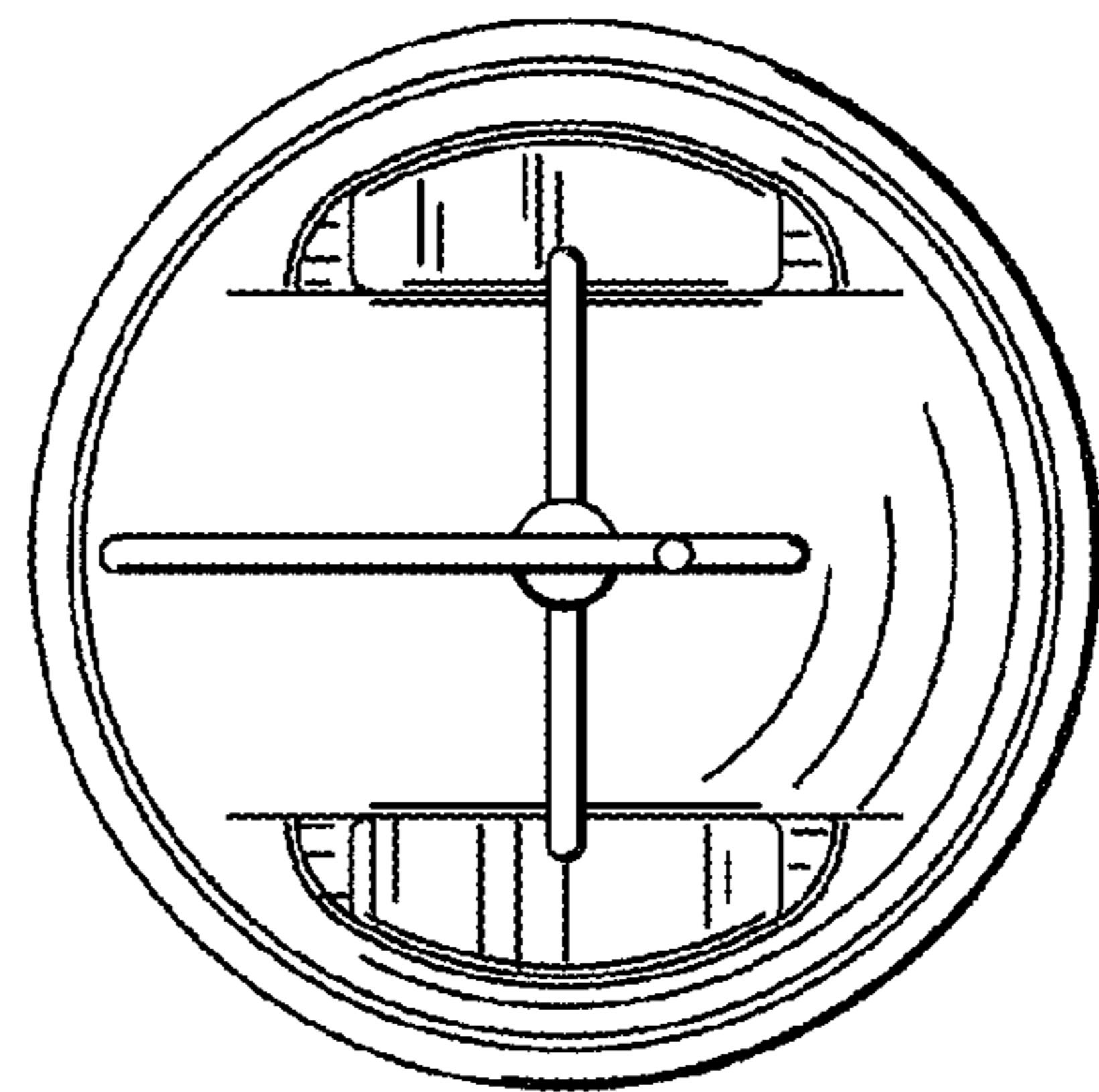
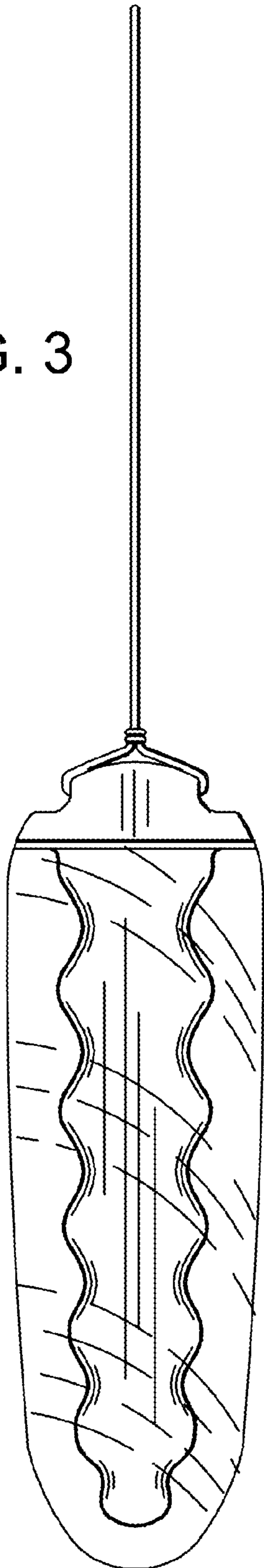


FIG. 4

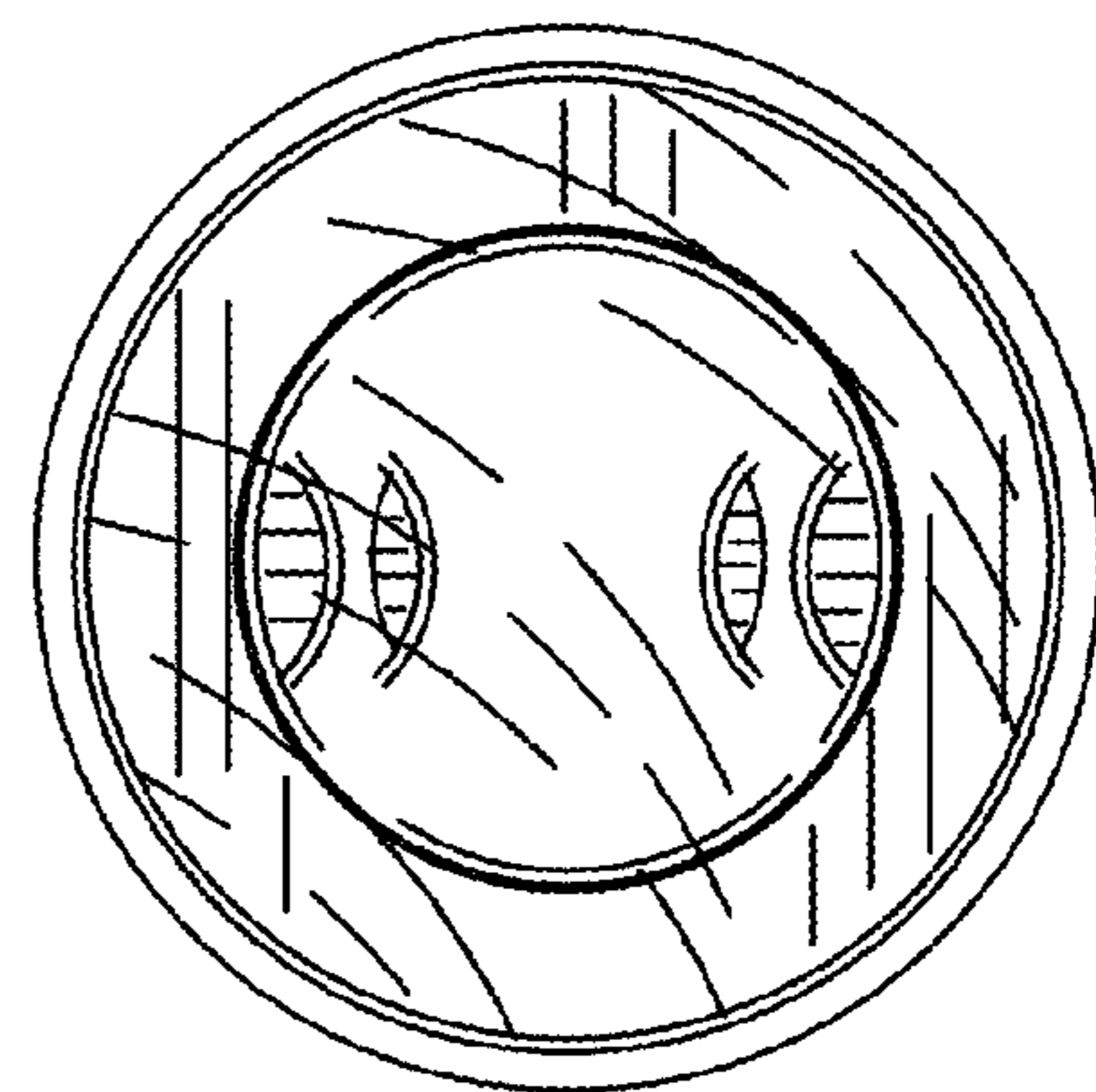


FIG. 5

FIG. 6

