



US00D737968S

(12) **United States Design Patent**  
**Shalon et al.**

(10) **Patent No.:** **US D737,968 S**  
(45) **Date of Patent:** **\*\* Sep. 1, 2015**

(54) **TRANSPARENT ANAL PLUG**

(56) **References Cited**

(71) Applicant: **Renew Medical Inc.**, Menlo Park, CA  
(US)

U.S. PATENT DOCUMENTS

(72) Inventors: **Tidhar Shalon**, Palo Alto, CA (US);  
**Guy Kotlisky**, K-far Shemaryahu (IL)

2,653,599	A *	9/1953	Bell	606/191
3,675,642	A *	7/1972	Lord	606/197
3,894,539	A *	7/1975	Tallent	606/197
4,686,985	A *	8/1987	Lottick	606/192
5,030,199	A *	7/1991	Barwick et al.	600/29
5,090,424	A *	2/1992	Simon et al.	128/885
5,131,906	A *	7/1992	Chen	600/29
5,513,659	A *	5/1996	Buuck et al.	128/885
5,722,931	A *	3/1998	Heaven	600/29
6,129,083	A *	10/2000	Jansen	128/885
7,553,273	B2 *	6/2009	Ferguson et al.	600/29
8,439,819	B2 *	5/2013	Shalon et al.	600/32
D695,403	S *	12/2013	Shalon et al.	D24/141
2010/0152529	A1 *	6/2010	Shalon et al.	600/30

(73) Assignee: **Renew Medical Inc.**, Palo Alto, CA  
(US)

(\*\*) Term: **14 Years**

(21) Appl. No.: **29/464,762**

\* cited by examiner

(22) Filed: **Aug. 21, 2013**

*Primary Examiner* — Wan Laymon

**Related U.S. Application Data**

(74) *Attorney, Agent, or Firm* — Ash Tankha; Lipton, Weinberger & Husick

(62) Division of application No. 29/423,622, filed on Jun. 3, 2012, now Pat. No. Des. 691,262.

(51) **LOC (10) Cl.** ..... **24-02**

(57) **CLAIM**

The ornamental design for a transparent anal plug, as shown and described.

(52) **U.S. Cl.**

**DESCRIPTION**

USPC ..... **D24/141**

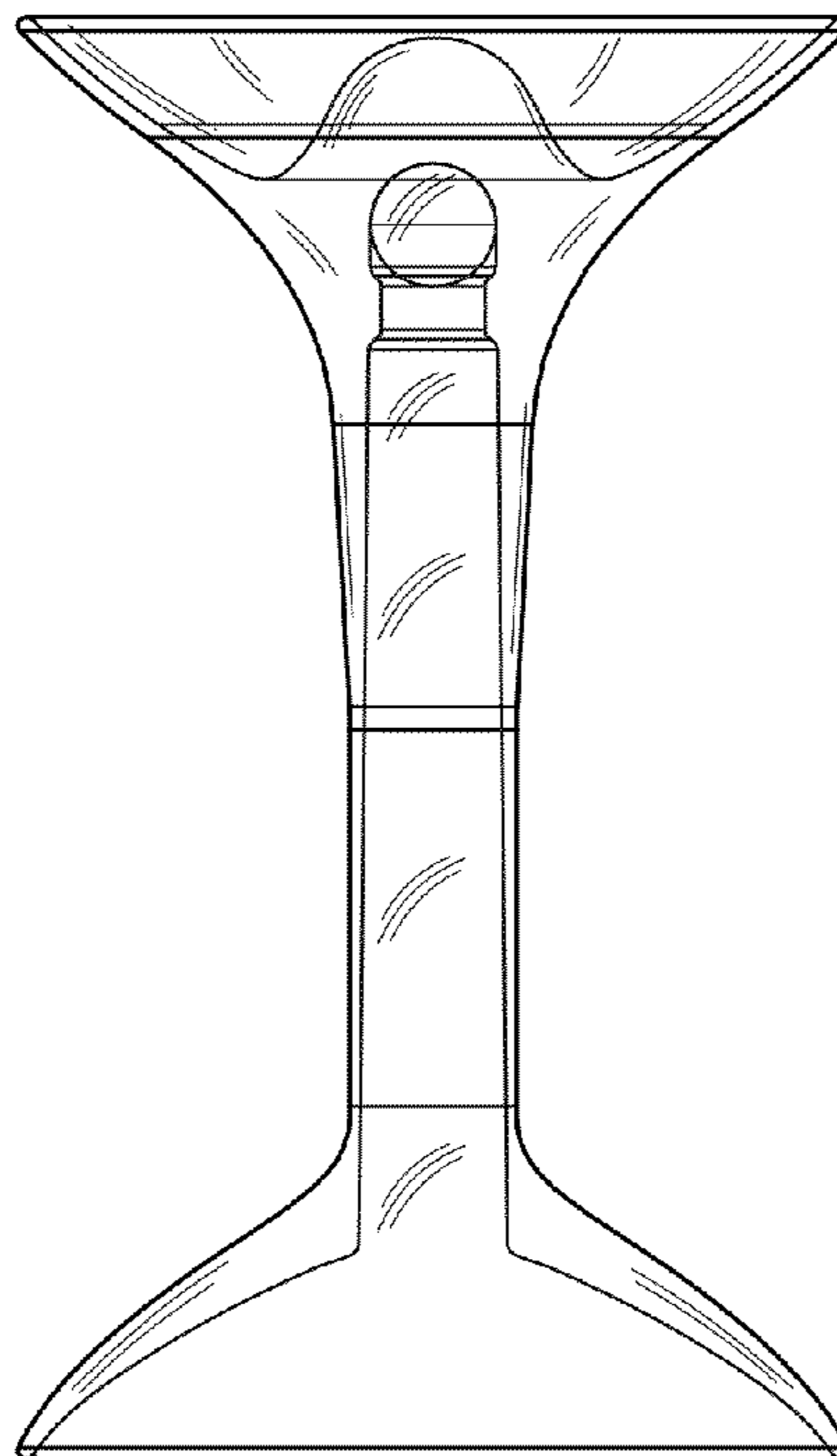
FIG. 1 is a front view of the transparent anal plug showing our design;  
FIG. 2 is a right side view thereof;  
FIG. 3 is a bottom view thereof; and,  
FIG. 4 is a top view thereof.

(58) **Field of Classification Search**

USPC ..... D24/133, 140-141, 215, 107; 128/885;  
600/29-30, 32; 604/332, 335, 337;  
606/114, 191, 197

See application file for complete search history.

**1 Claim, 4 Drawing Sheets**



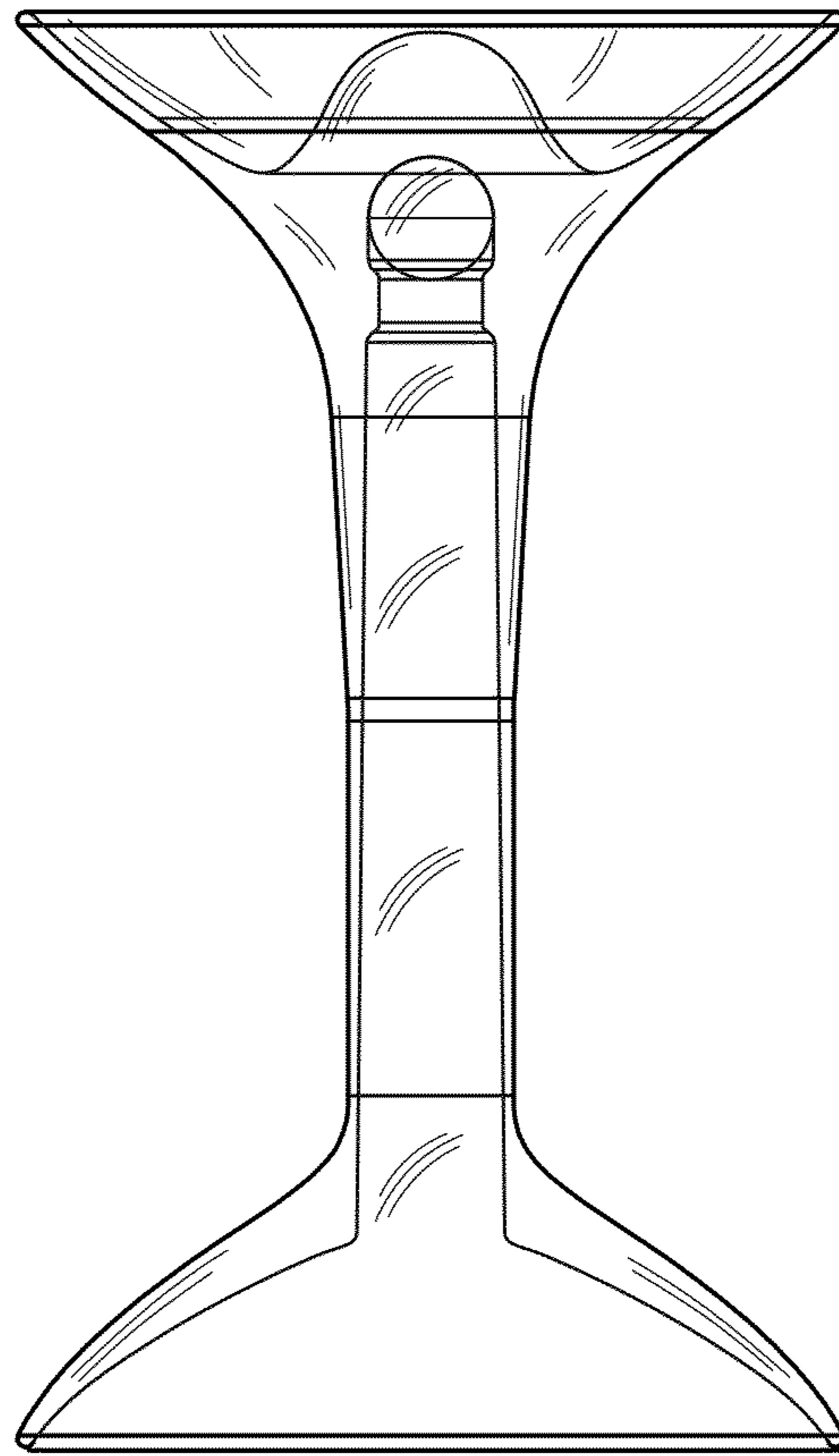


FIG. 1

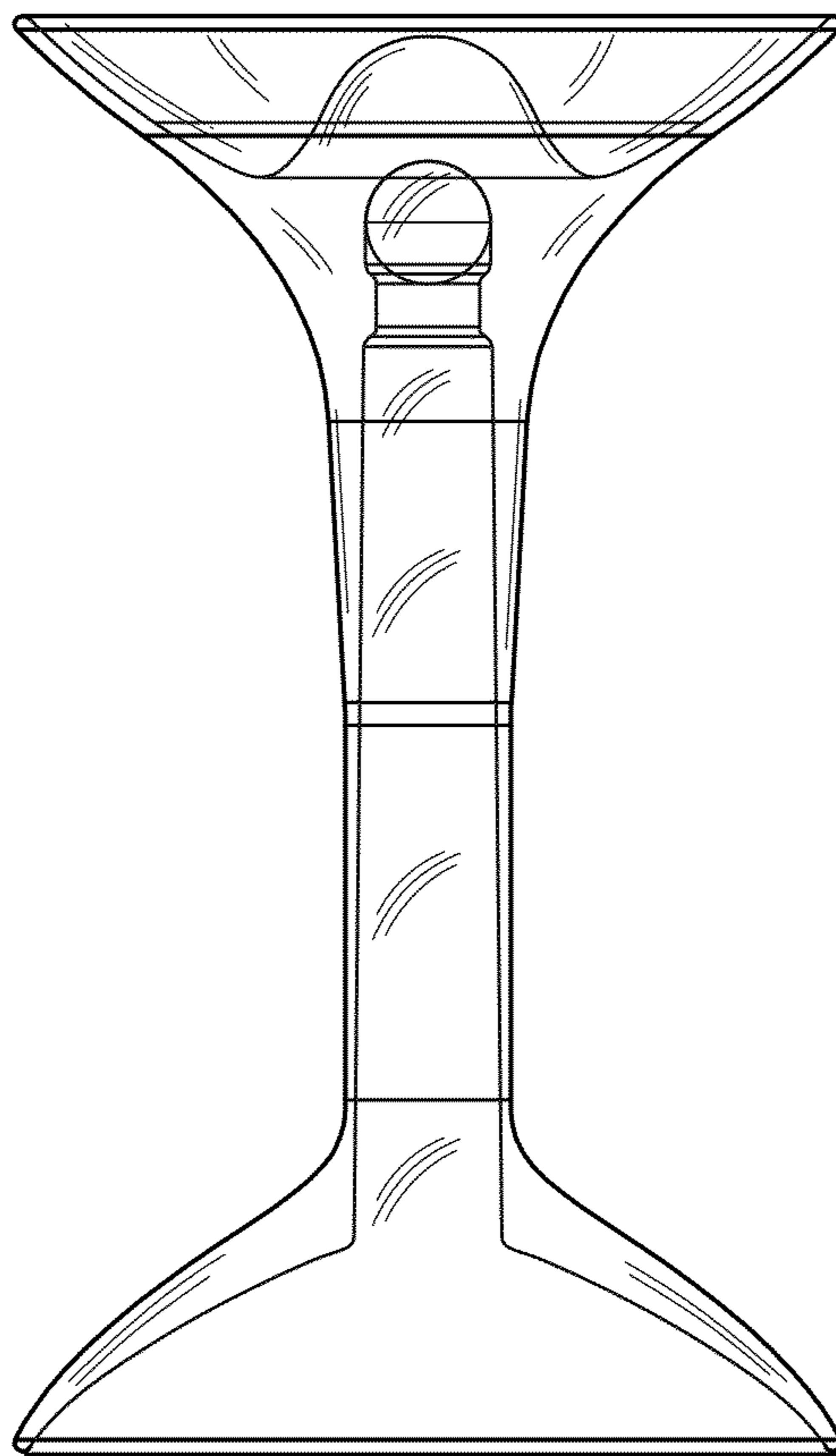


FIG. 2

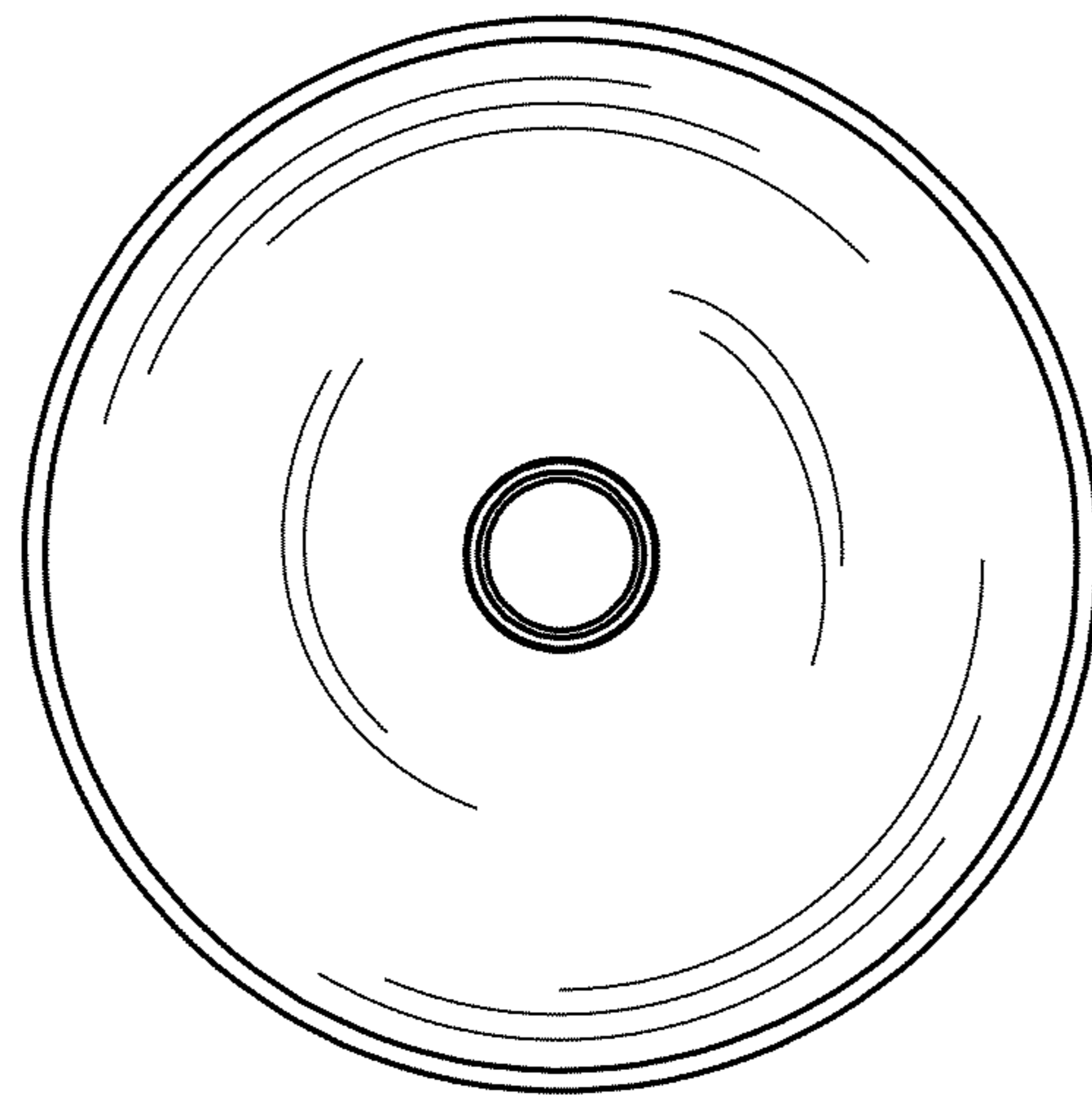
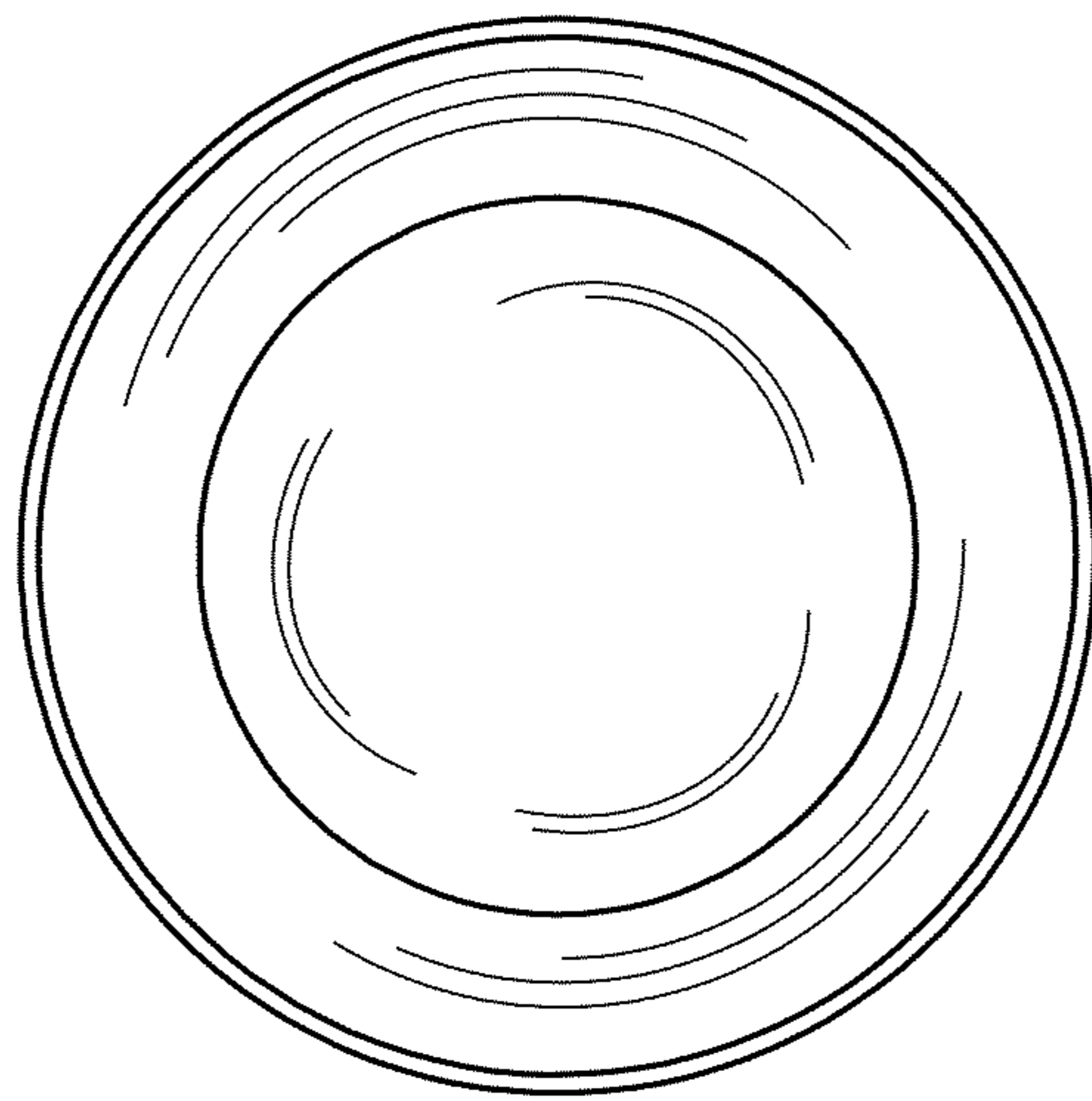


FIG. 3



**FIG. 4**