



US00D737967S

(12) **United States Design Patent**
Shalon et al.

(10) **Patent No.:** **US D737,967 S**
(45) **Date of Patent:** **** Sep. 1, 2015**

(54) **TRANSPARENT ANAL PLUG**

(71) Applicant: **Renew Medical Inc.**, Menlo Park, CA (US)

(72) Inventors: **Tidhar Shalon**, Palo Alto, CA (US);
Guy Kotlisky, K-far Shemaryahu (IL)

(73) Assignee: **Renew Medical Inc.**, Palo Alto, CA (US)

(**) Term: **14 Years**

(21) Appl. No.: **29/464,761**

(22) Filed: **Aug. 21, 2013**

Related U.S. Application Data

(62) Division of application No. 29/423,622, filed on Jun. 3, 2012, now Pat. No. Des. 691,262.

(51) **LOC (10) Cl.** **24-02**

(52) **U.S. Cl.**
USPC **D24/141**

(58) **Field of Classification Search**
USPC D24/133, 140-141, 215, 107; 128/885;
600/29-30, 32; 604/332, 335, 337;
606/114, 191, 197

See application file for complete search history.

(56) **References Cited**

U.S. PATENT DOCUMENTS

2,653,599	A *	9/1953	Bell	606/191
3,675,642	A *	7/1972	Lord	606/197
3,894,539	A *	7/1975	Tallent	606/197
4,686,985	A *	8/1987	Lottick	606/192
5,030,199	A *	7/1991	Barwick et al.	600/29
5,090,424	A *	2/1992	Simon et al.	128/885
5,131,906	A *	7/1992	Chen	600/29
5,513,659	A *	5/1996	Buuck et al.	128/885
5,722,931	A *	3/1998	Heaven	600/29
6,129,083	A *	10/2000	Jansen	128/885
7,553,273	B2 *	6/2009	Ferguson et al.	600/29
8,439,819	B2 *	5/2013	Shalon et al.	600/32
D695,403	S *	12/2013	Shalon et al.	D24/141
2010/0152529	A1 *	6/2010	Shalon et al.	600/30

* cited by examiner

Primary Examiner — Wan Laymon

(74) *Attorney, Agent, or Firm* — Ash Tankha; Lipton, Weinberger & Husick

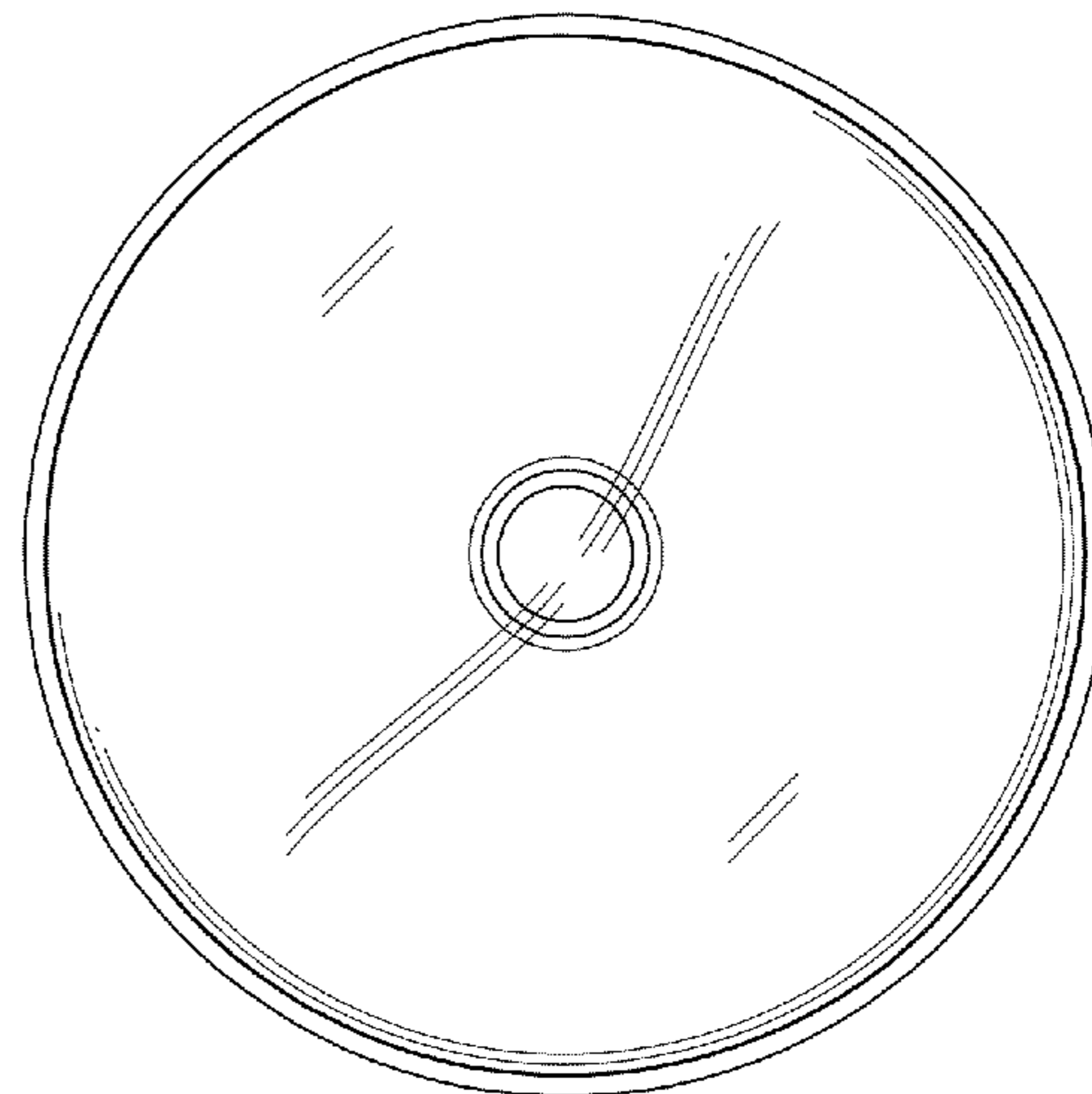
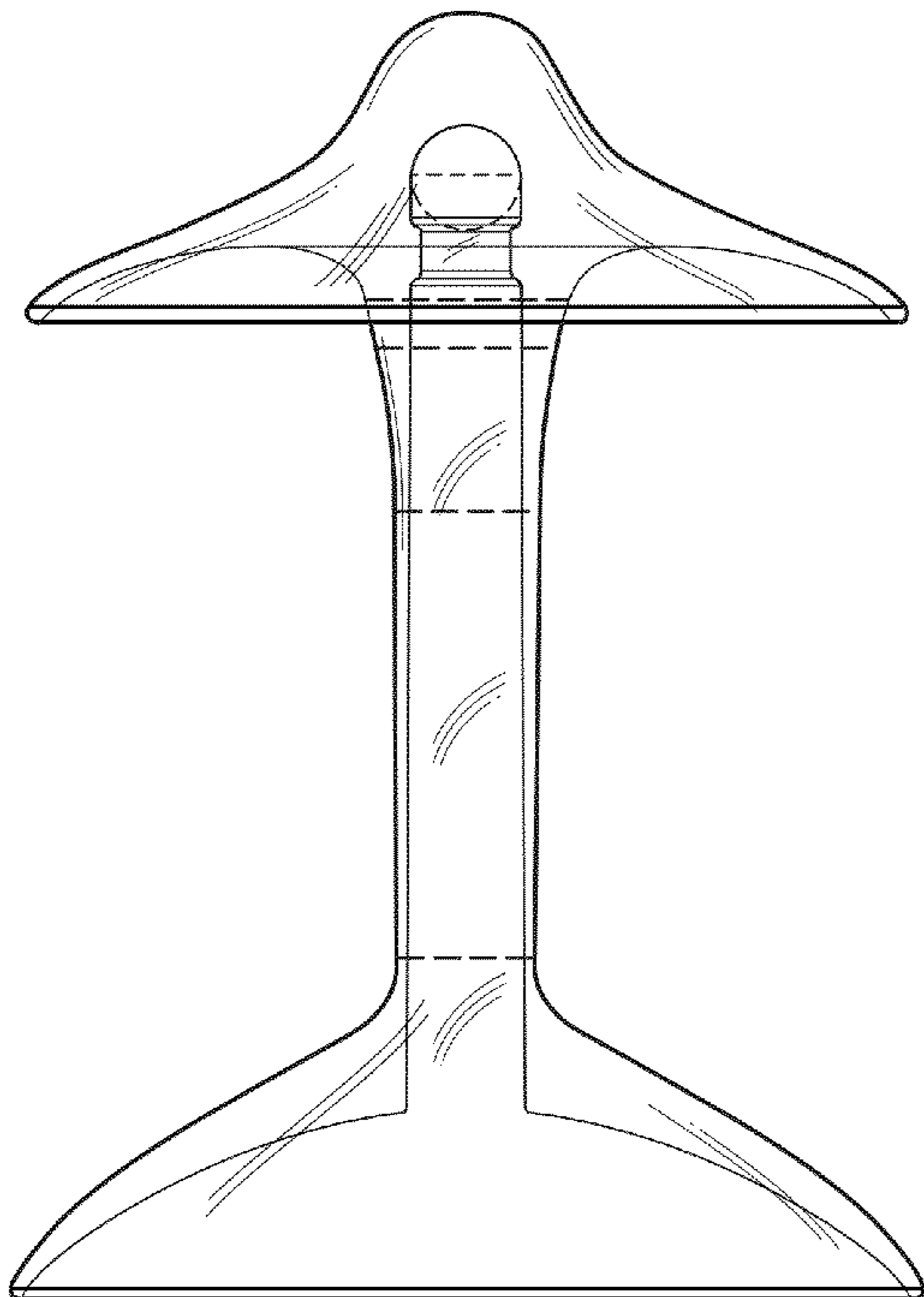
(57) **CLAIM**

The ornamental design for a transparent anal plug, as shown and described.

DESCRIPTION

FIG. 1 is a front view of a transparent anal plug showing our design; FIG. 2 is a top view thereof; and, FIG. 3 is a bottom view thereof. The broken lines shown in FIG. 1 depict environmental subject matter only and form no part of the claimed design.

1 Claim, 2 Drawing Sheets



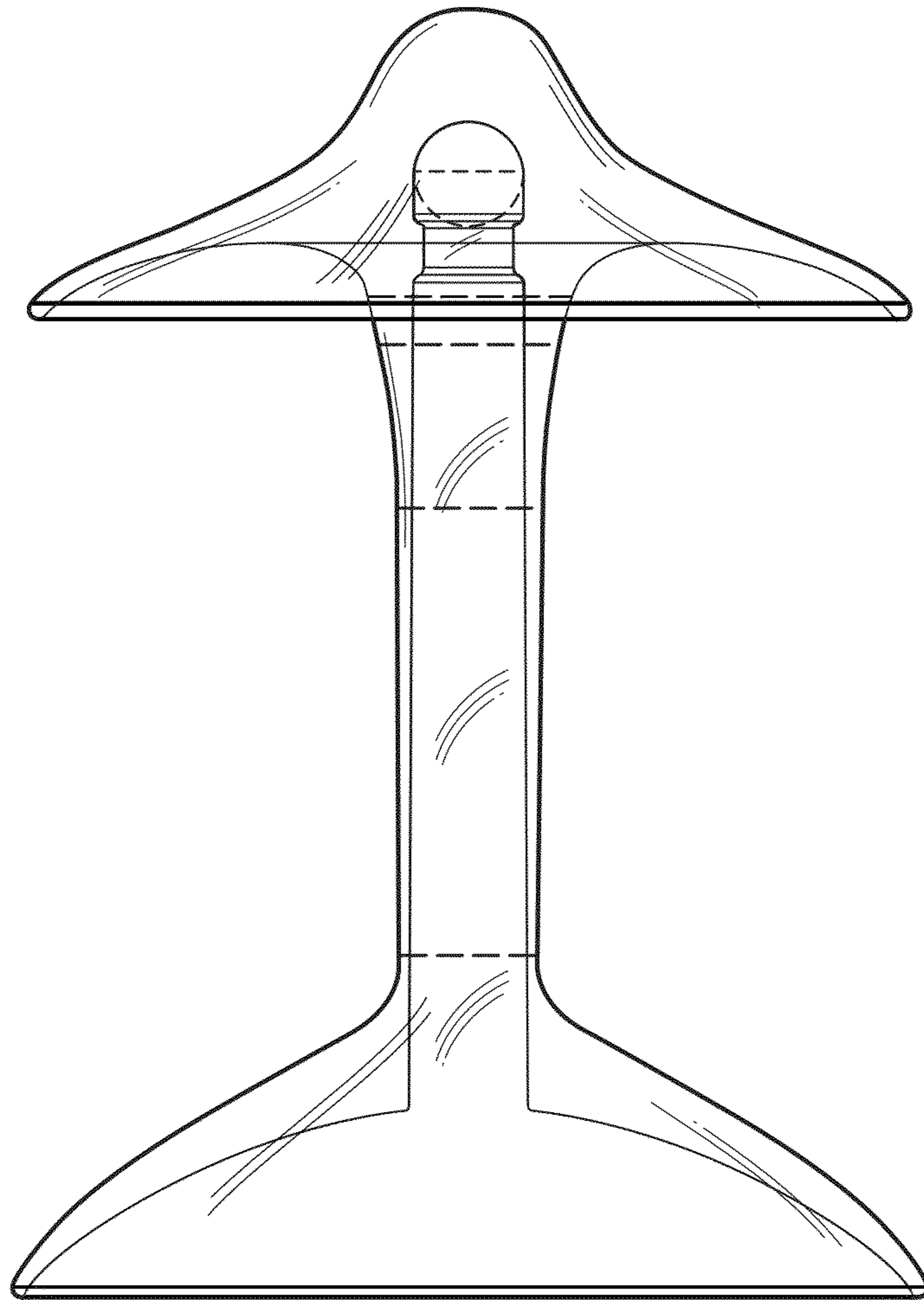


FIG. 1

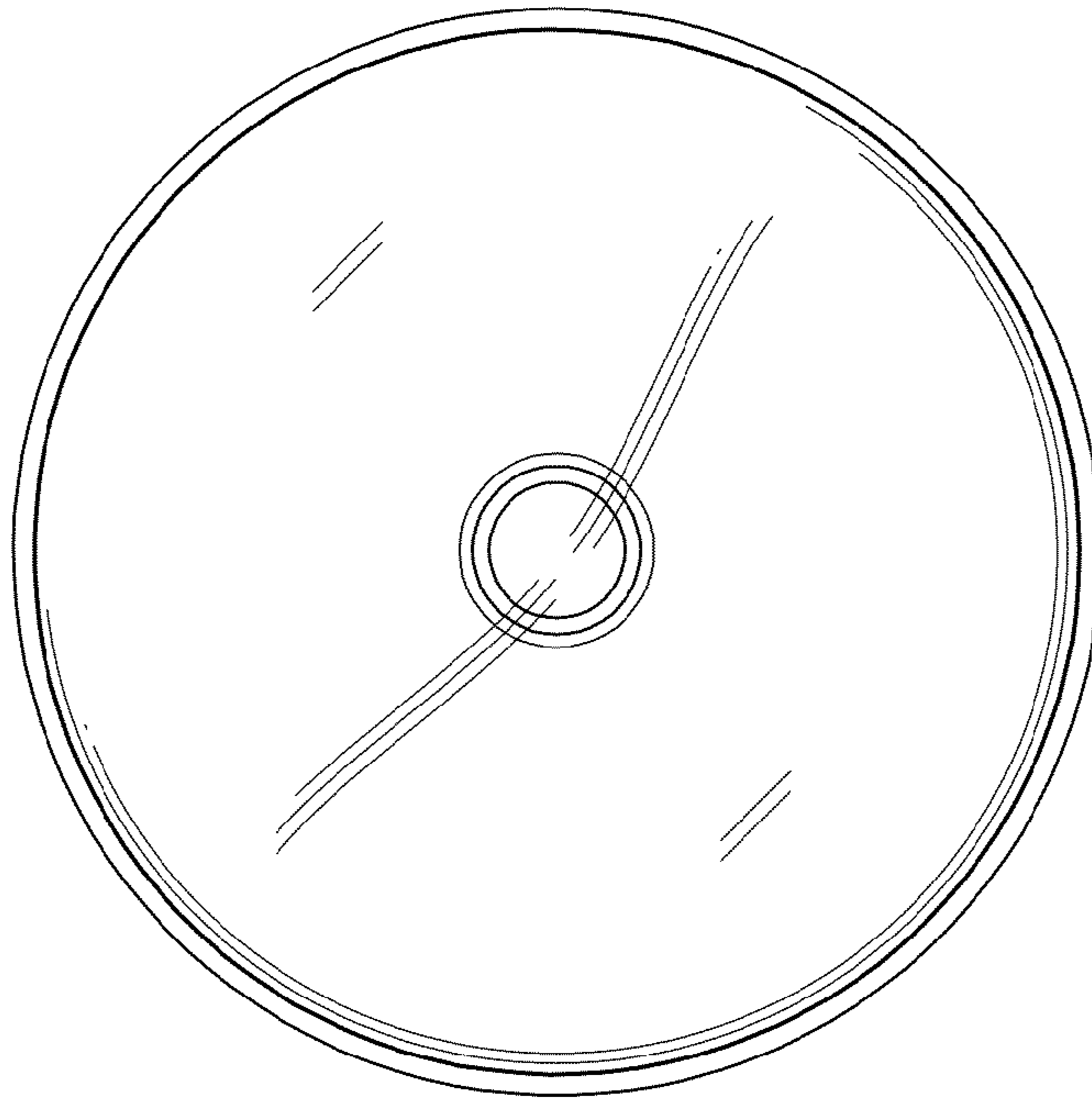


FIG. 2

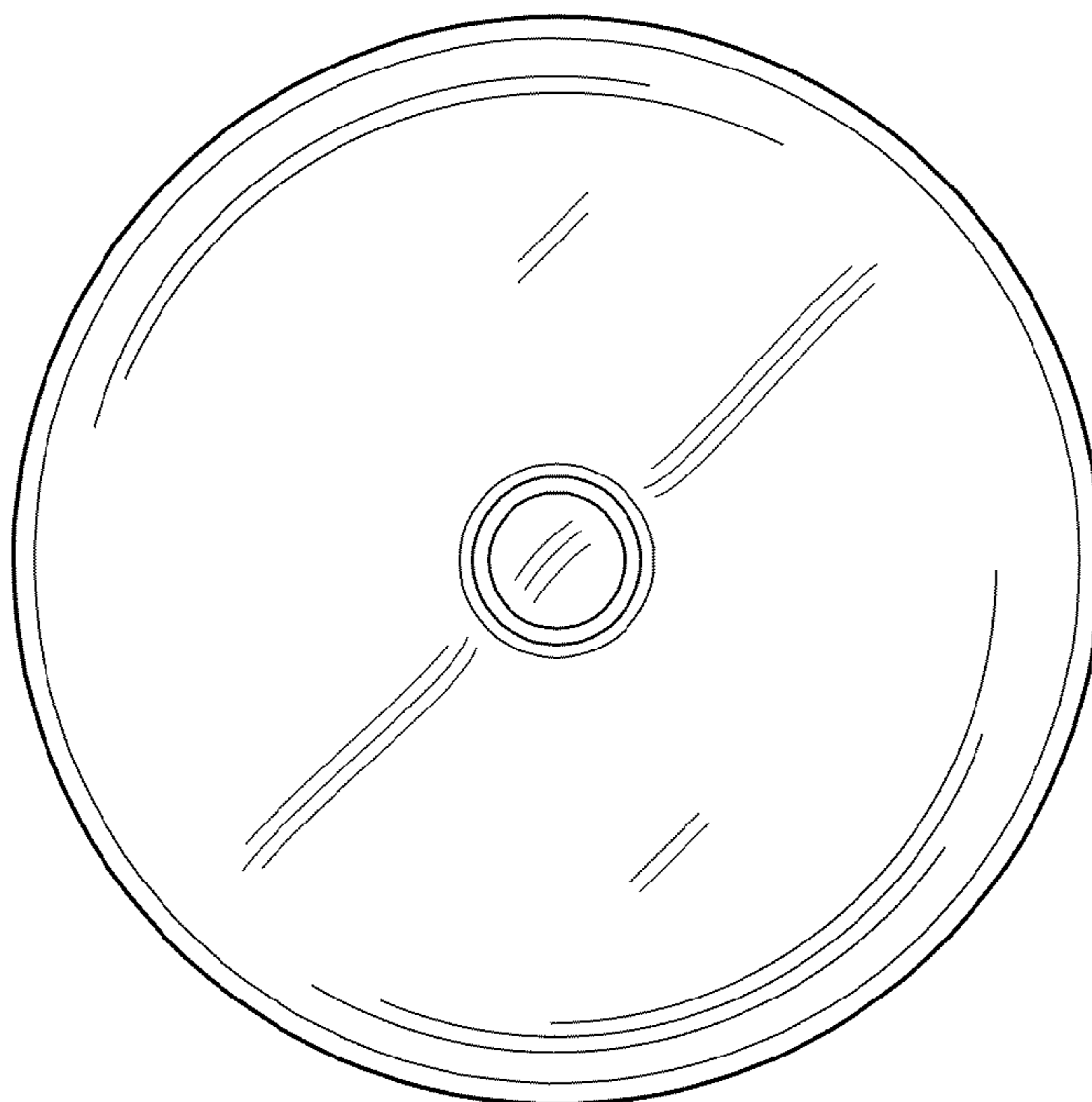


FIG. 3