



US00D737966S

(12) **United States Design Patent**  
**Meguro**

(10) **Patent No.:** **US D737,966 S**  
(45) **Date of Patent:** **\*\* Sep. 1, 2015**

- (54) **ENDOSCOPE**
- (71) Applicant: **OLYMPUS CORPORATION**,  
Shibuya-ku, Tokyo (JP)
- (72) Inventor: **Chikayoshi Meguro**, Tokyo (JP)
- (73) Assignee: **OLYMPUS CORPORATION**, Tokyo  
(JP)
- (\*\*) Term: **14 Years**
- (21) Appl. No.: **29/476,783**
- (22) Filed: **Dec. 17, 2013**

6,183,435	B1	2/2001	Bumbalough et al.	
D441,447	S	5/2001	Hjertman et al.	
6,485,411	B1	11/2002	Konstorum et al.	
6,749,560	B1	6/2004	Konstorum et al.	
D535,393	S	1/2007	Pilvisto et al.	
D581,052	S	11/2008	Root et al.	
D612,052	S	3/2010	McCollam et al.	
8,152,715	B2	4/2012	Root et al.	
D698,441	S *	1/2014	Meguro et al.	D24/138
D723,684	S *	3/2015	Funakoshi	D24/138
2005/0209508	A1	9/2005	Aono et al.	
2013/0012781	A1	1/2013	Kaneko	
2013/0317293	A1 *	11/2013	Olivera et al.	600/104
2013/0317300	A1 *	11/2013	Berci et al.	600/188

\* cited by examiner

**Related U.S. Application Data**

- (62) Division of application No. 29/426,857, filed on Jul. 11, 2012, now Pat. No. Des. 698,441.

**Foreign Application Priority Data**

- Jan. 20, 2012 (JP) ..... 2012-001058
- (51) **LOC (10) Cl.** ..... **24-02**
- (52) **U.S. Cl.**  
USPC ..... **D24/138**
- (58) **Field of Classification Search**  
USPC ..... D24/138, 137, 133, 135, 140;  
600/101-183  
CPC ..... A61B 1/267; A61B 1/2673; A61B 1/2676  
See application file for complete search history.

**References Cited**

**U.S. PATENT DOCUMENTS**

4,782,819	A	11/1988	Adair
D381,076	S	7/1997	Thornton et al.
D384,743	S	10/1997	Chia

*Primary Examiner* — Bridget L Eland

(74) *Attorney, Agent, or Firm* — Holtz, Holtz, Goodman & Chick PC

**CLAIM**

The ornamental design for an endoscope, as shown and described.

**DESCRIPTION**

FIG. 1 is a perspective view from the front side of an endoscope showing my new ornamental design;  
 FIG. 2 is a perspective view from the rear side thereof;  
 FIG. 3 is a front elevational view thereof;  
 FIG. 4 is a rear elevational view thereof;  
 FIG. 5 is a top plan view thereof;  
 FIG. 6 is a bottom plan view thereof;  
 FIG. 7 is a left side elevational view thereof; and,  
 FIG. 8 is a right side elevational view thereof.  
 The broken away symbols in the drawings indicate that any portion of the article beyond what is shown forms no part of the claimed design.

**1 Claim, 7 Drawing Sheets**

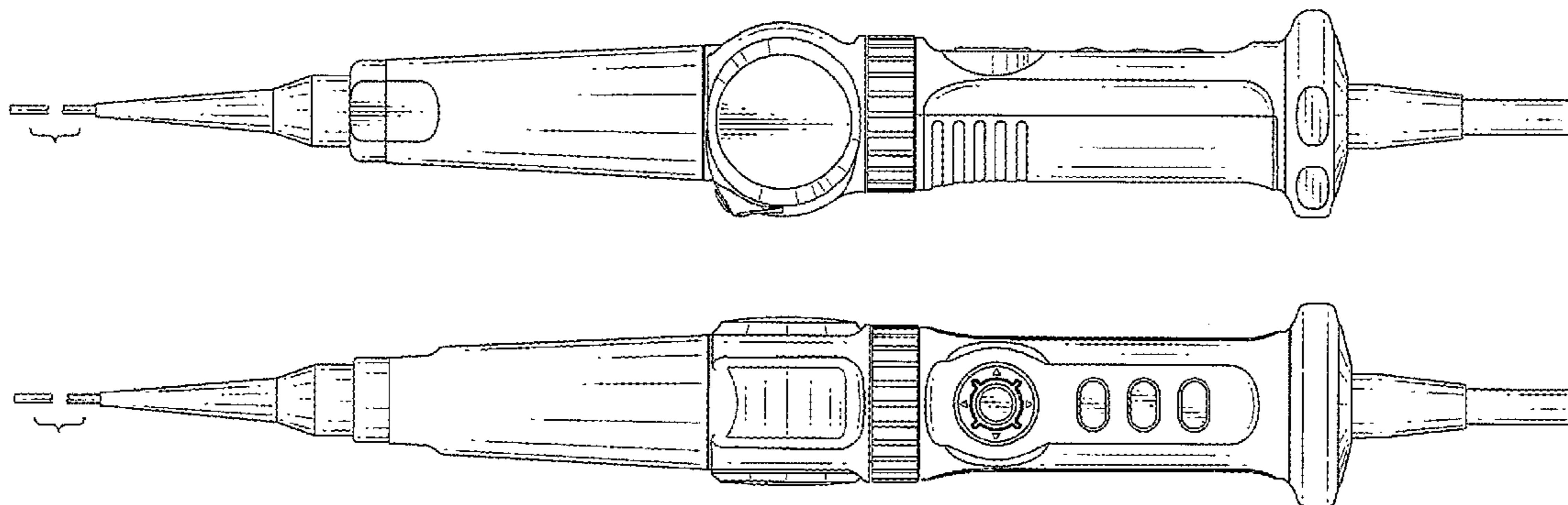


FIG. 1

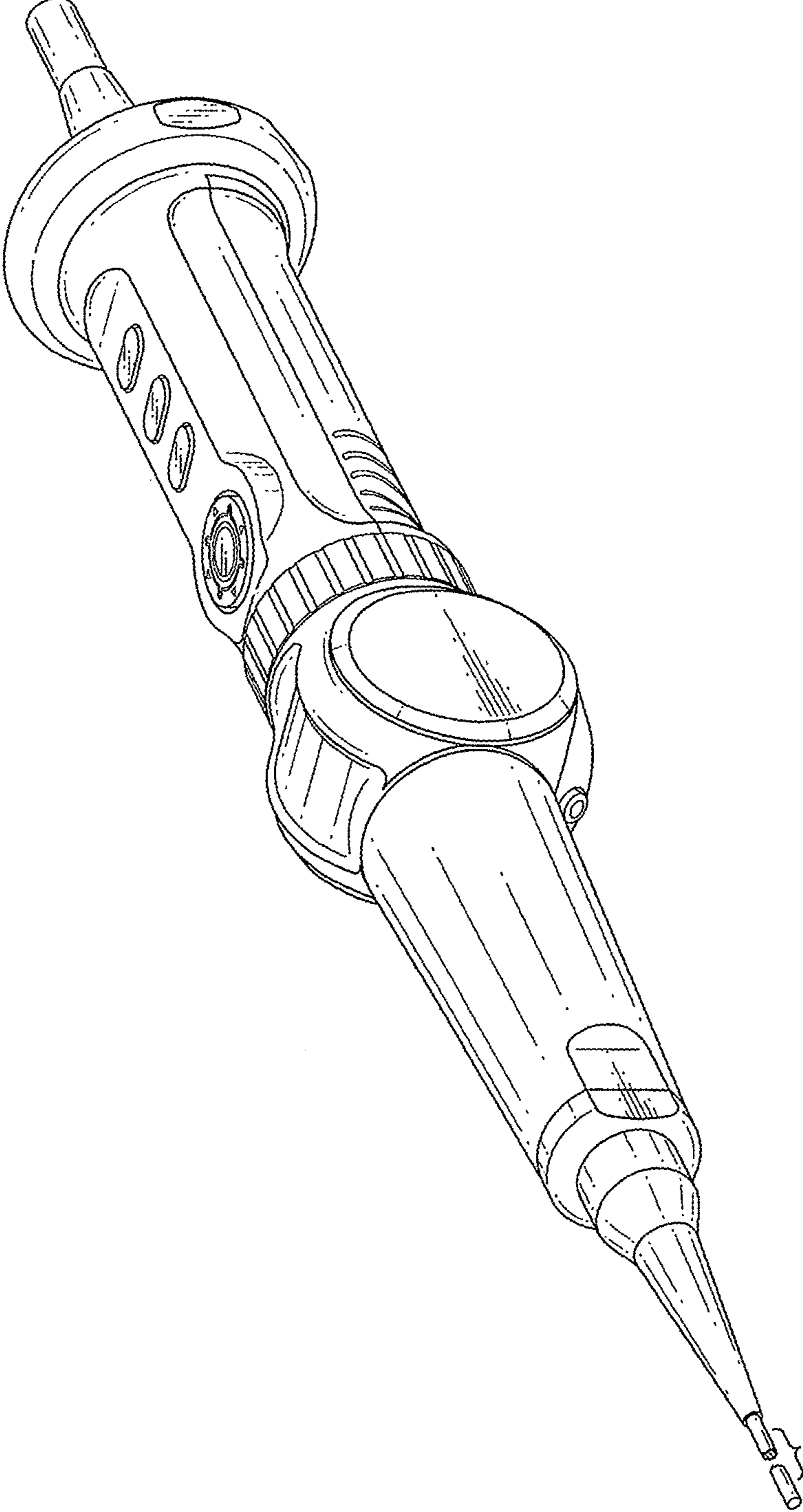


FIG. 2

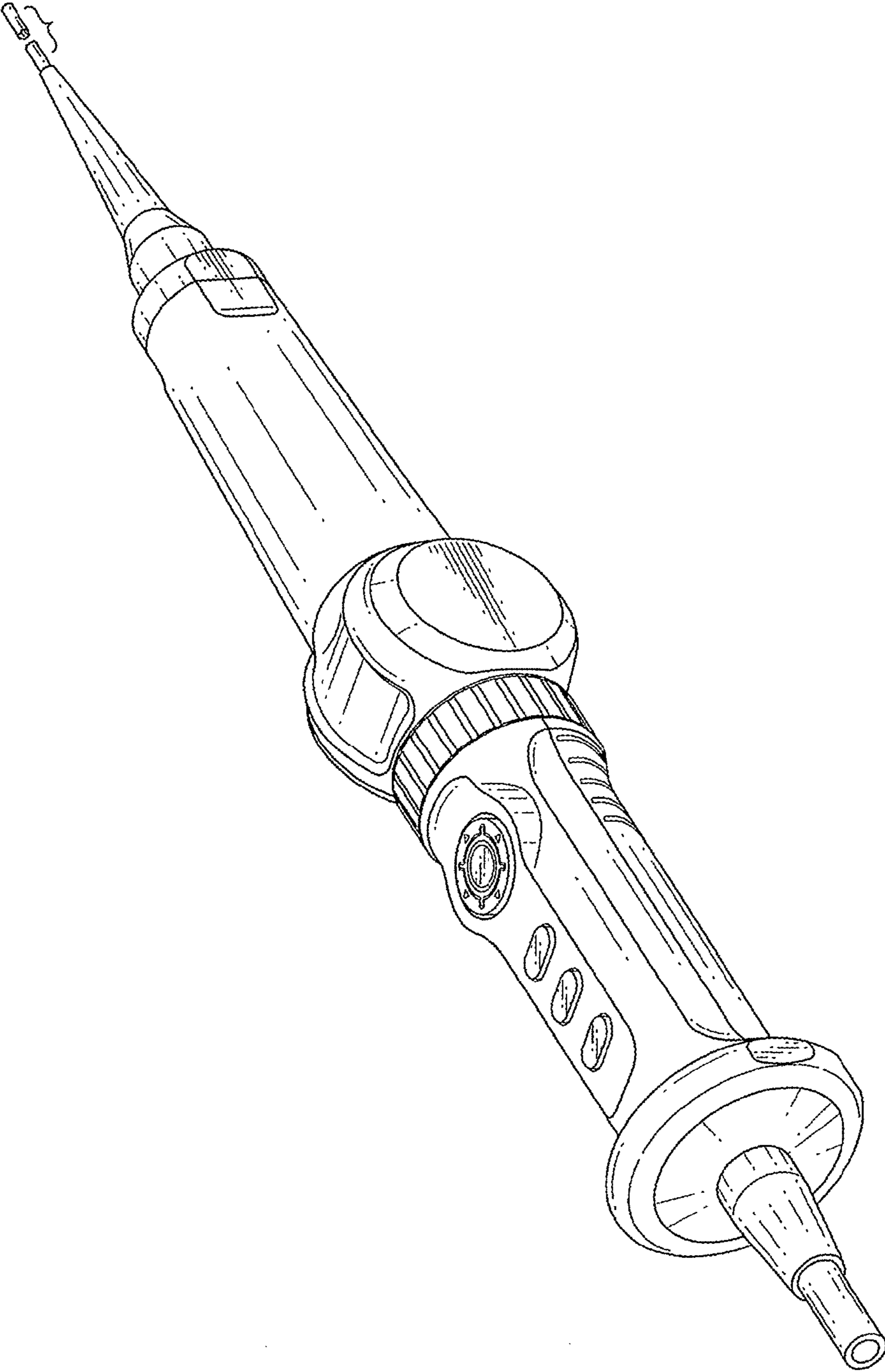


FIG. 3

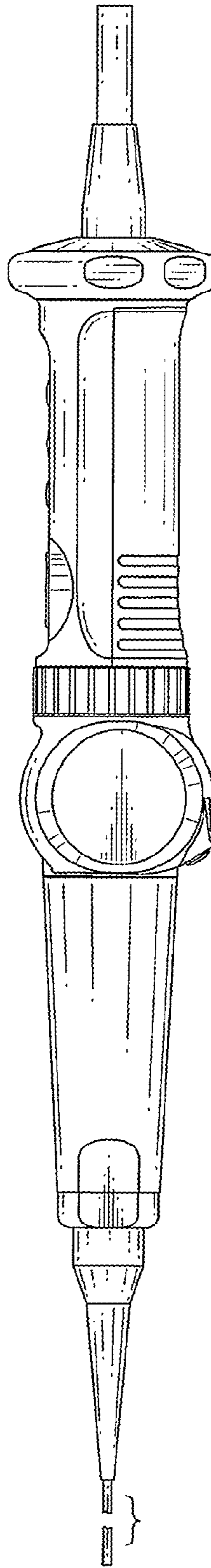


FIG. 4

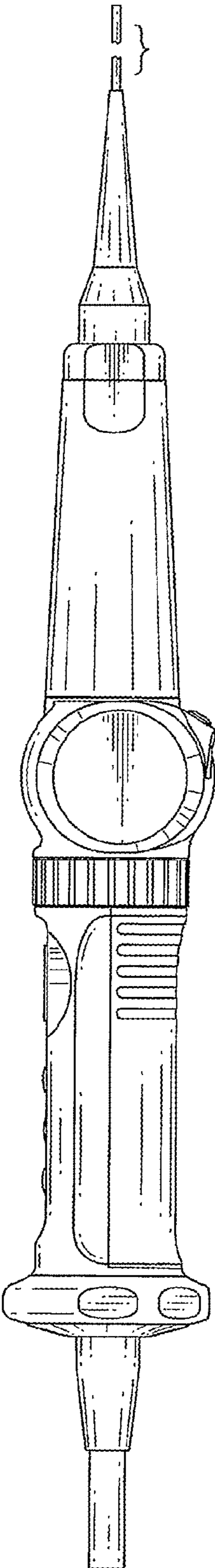




FIG. 5

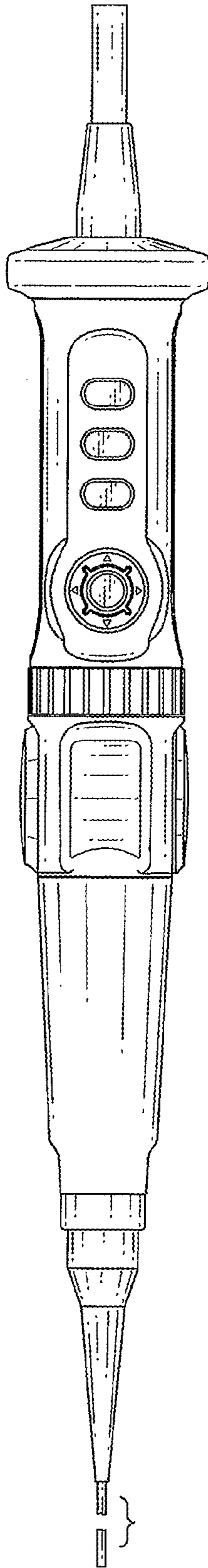


FIG. 6

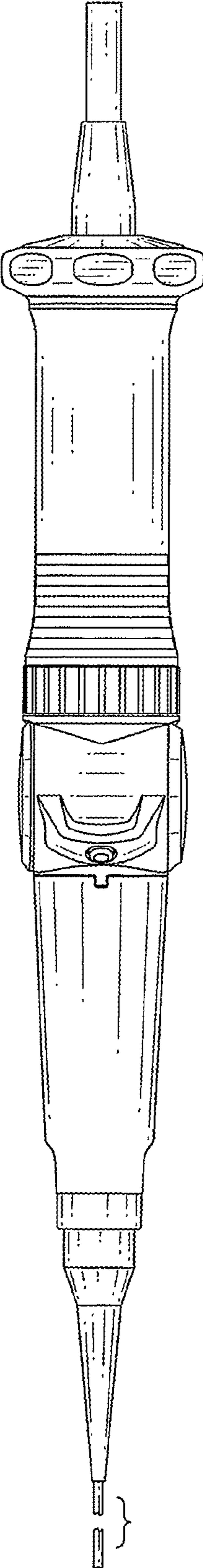


FIG. 8

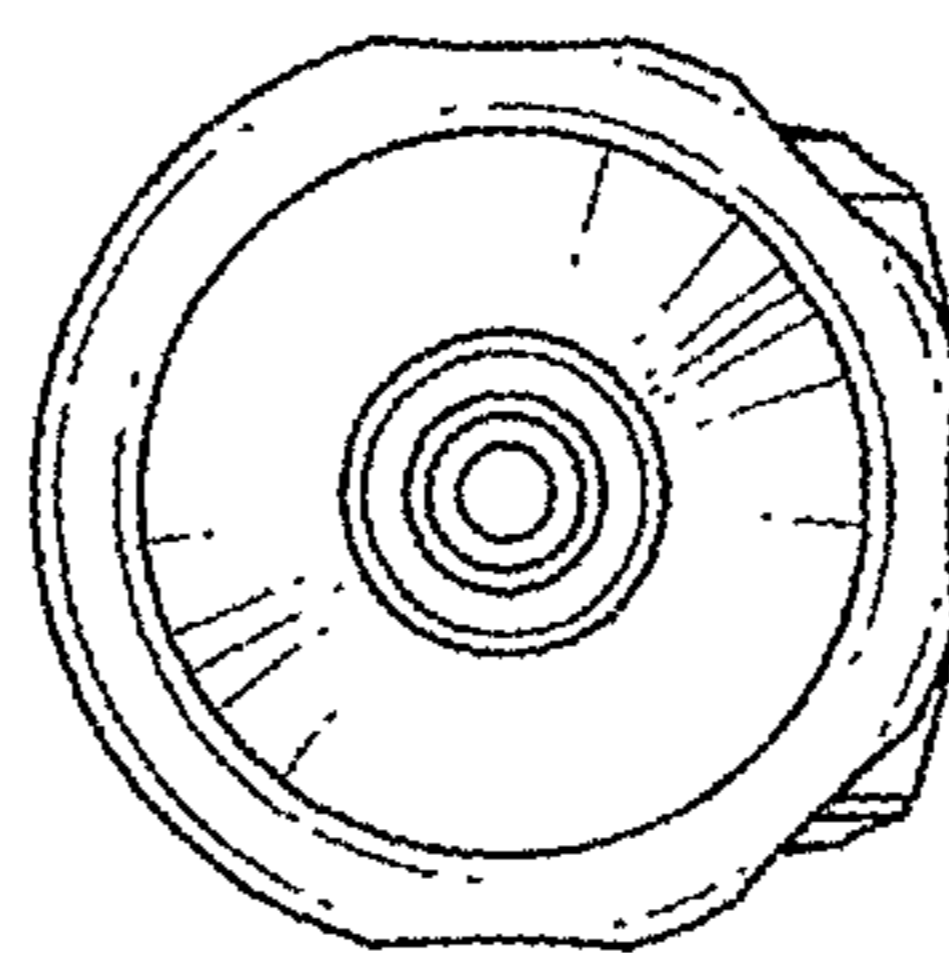


FIG. 7

