



US00D737965S

(12) **United States Design Patent**
Bende

(10) **Patent No.:** **US D737,965 S**
(45) **Date of Patent:** **** Sep. 1, 2015**

(54) **NASAL DILATOR**

(71) Applicant: **Anthonius Fredericus Maria Bende,**
Amsterdam (NL)

(72) Inventor: **Anthonius Fredericus Maria Bende,**
Amsterdam (NL)

(**) Term: **14 Years**

(21) Appl. No.: **29/493,075**

(22) Filed: **Jun. 5, 2014**

Related U.S. Application Data

(63) Continuation-in-part of application No.
PCT/EP2014/058263, filed on Apr. 23, 2014.

(51) **LOC (10) Cl.** **24-02**

(52) **U.S. Cl.**
USPC **D24/135**

(58) **Field of Classification Search**
USPC D24/106, 125, 133, 135, 136, 152, 153,
D24/154, 155, 156, 189; 606/191, 192, 193,
606/194, 195, 196, 197, 198, 199
See application file for complete search history.

(56) **References Cited**

U.S. PATENT DOCUMENTS

1,256,188	A *	2/1918	Wilson	606/199
5,665,104	A *	9/1997	Lee	606/199
5,775,335	A *	7/1998	Seal	128/848
5,895,409	A *	4/1999	Mehdizadeh	606/199
D430,667	S *	9/2000	Rome	D24/135
D438,967	S *	3/2001	Alpers	D24/135
D451,193	S *	11/2001	McCormick	D24/106
6,564,800	B1 *	5/2003	Olivares	128/206.11
D572,361	S *	7/2008	Noce	D24/135
D575,397	S *	8/2008	Noce	D24/135
D576,726	S *	9/2008	Maxwell	D24/135
7,918,224	B2 *	4/2011	Dolezal et al.	128/206.11
D652,518	S *	1/2012	Jensen	D24/135
D670,382	S *	11/2012	Noce et al.	D24/135
D683,015	S *	5/2013	Zisser	D24/110.5

D713,031	S *	9/2014	McCormick	D24/135
D726,312	S *	4/2015	Johnson	D24/135
2002/0177871	A1 *	11/2002	Santin	606/199
2003/0195552	A1 *	10/2003	Santin	606/199
2004/0147954	A1 *	7/2004	Wood	606/199
2006/0085027	A1 *	4/2006	Santin et al.	606/199
2009/0054923	A1 *	2/2009	Benson	606/199
2009/0093840	A1	4/2009	MacDonald	
2010/0031965	A1 *	2/2010	Soderberg	128/848
2012/0318279	A1	12/2012	Yamada et al.	
2014/0246023	A1 *	9/2014	Maryanka	128/203.22
2014/0326244	A1 *	11/2014	Orts Paya et al.	128/206.11

FOREIGN PATENT DOCUMENTS

DE	9403621.7	U1	9/1994
EP	2387978	A2	11/2011
EP	2567735	A1	3/2013
JP	2007195604	A	8/2007
WO	2004069110	A1	8/2004

* cited by examiner

Primary Examiner — Garth Rademaker
Assistant Examiner — Samantha Q Lawrence
(74) *Attorney, Agent, or Firm* — The Webb Law Firm

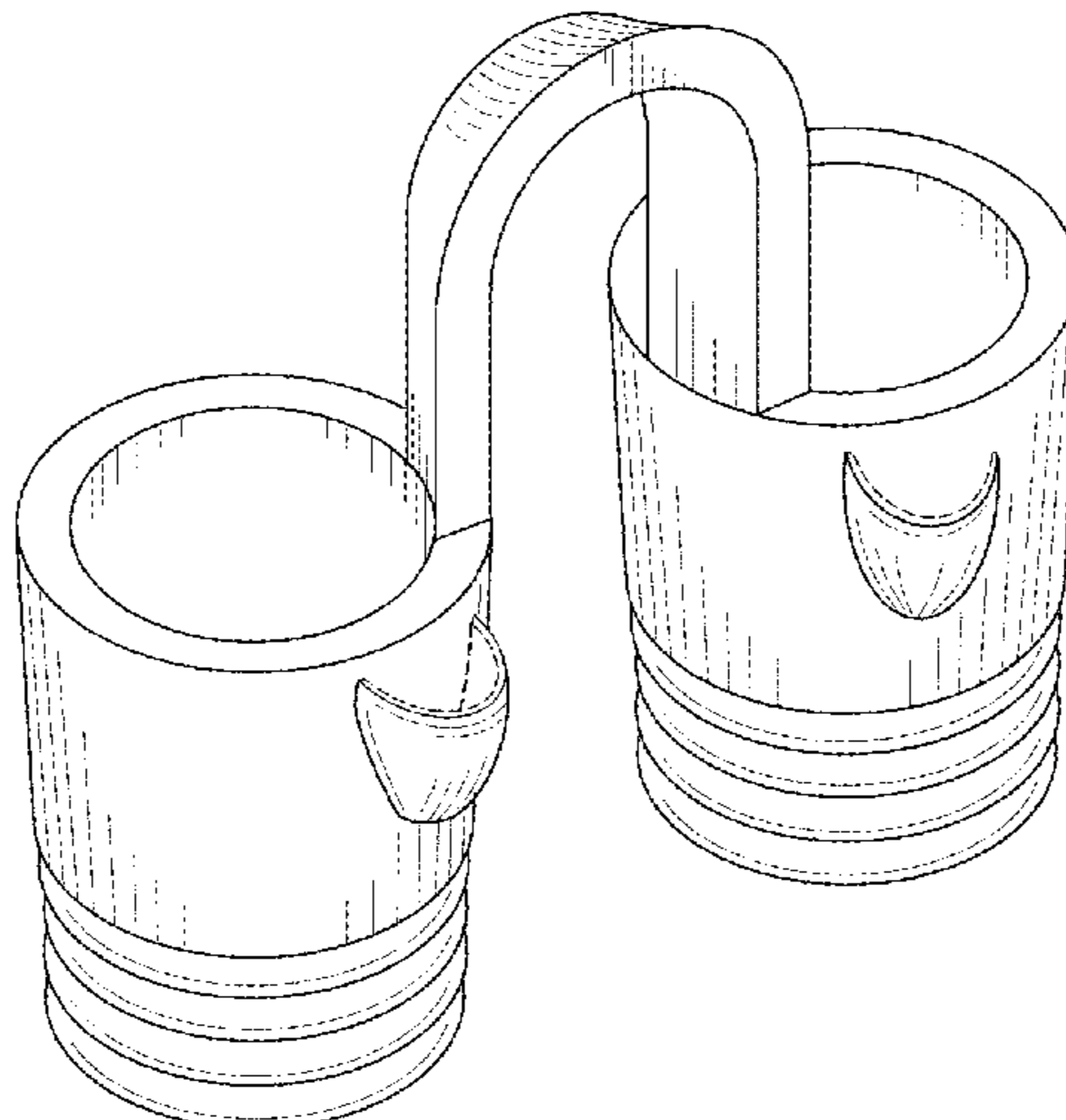
(57) **CLAIM**

The ornamental design for a nasal dilator, as shown and described.

DESCRIPTION

FIG. 1 is a front view of a nasal dilator, showing my new design;
FIG. 2 is a rear view thereof;
FIG. 3 is a left side view thereof;
FIG. 4 is a right side view thereof;
FIG. 5 is a top view thereof;
FIG. 6 is a bottom view thereof;
FIG. 7 is a front perspective view thereof; and,
FIG. 8 is a rear perspective view thereof.
The broken lines shown in the figures illustrate portions of the nasal dilator that form no part of the claimed design.

1 Claim, 4 Drawing Sheets



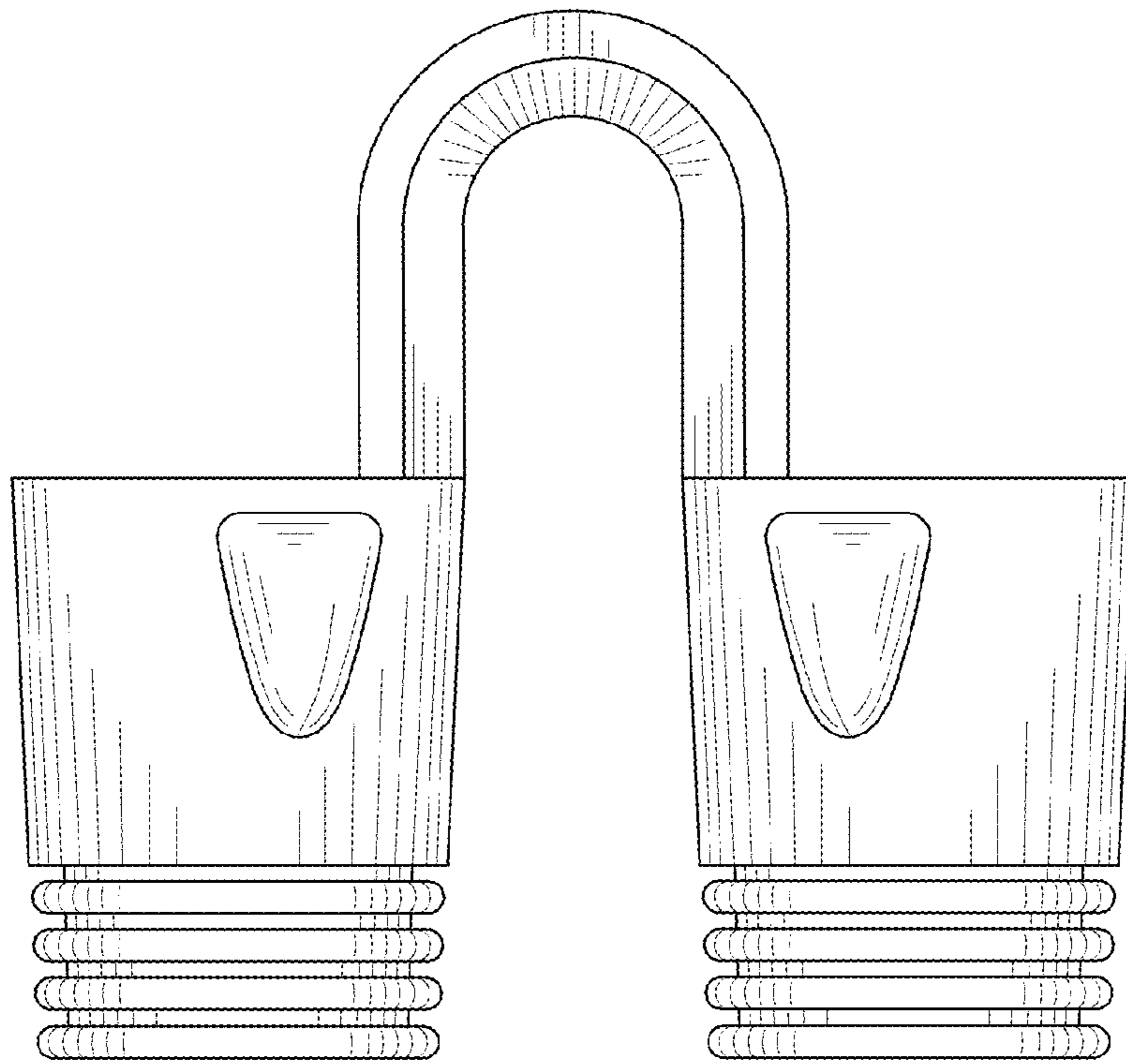


FIG. 1

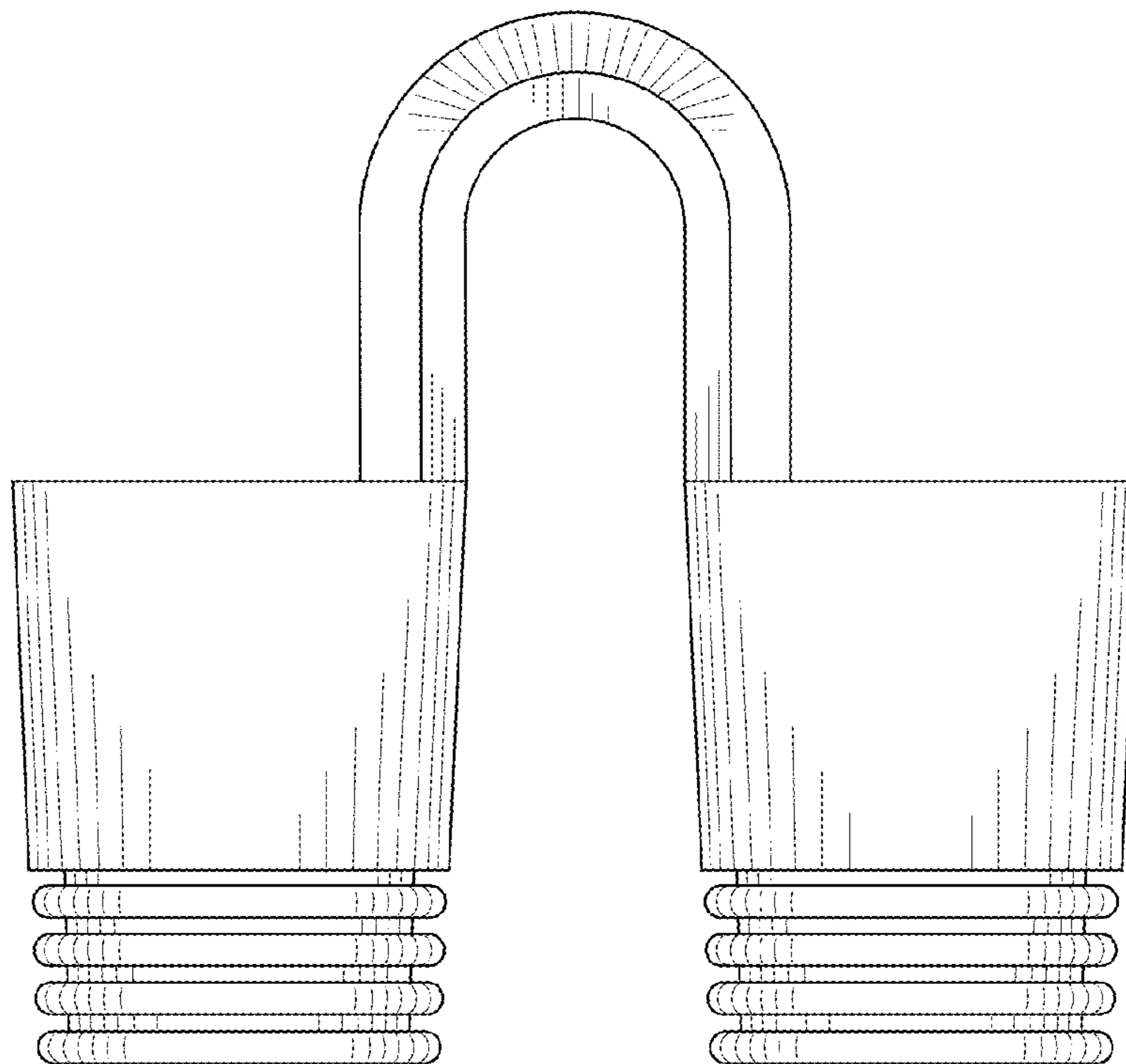


FIG. 2

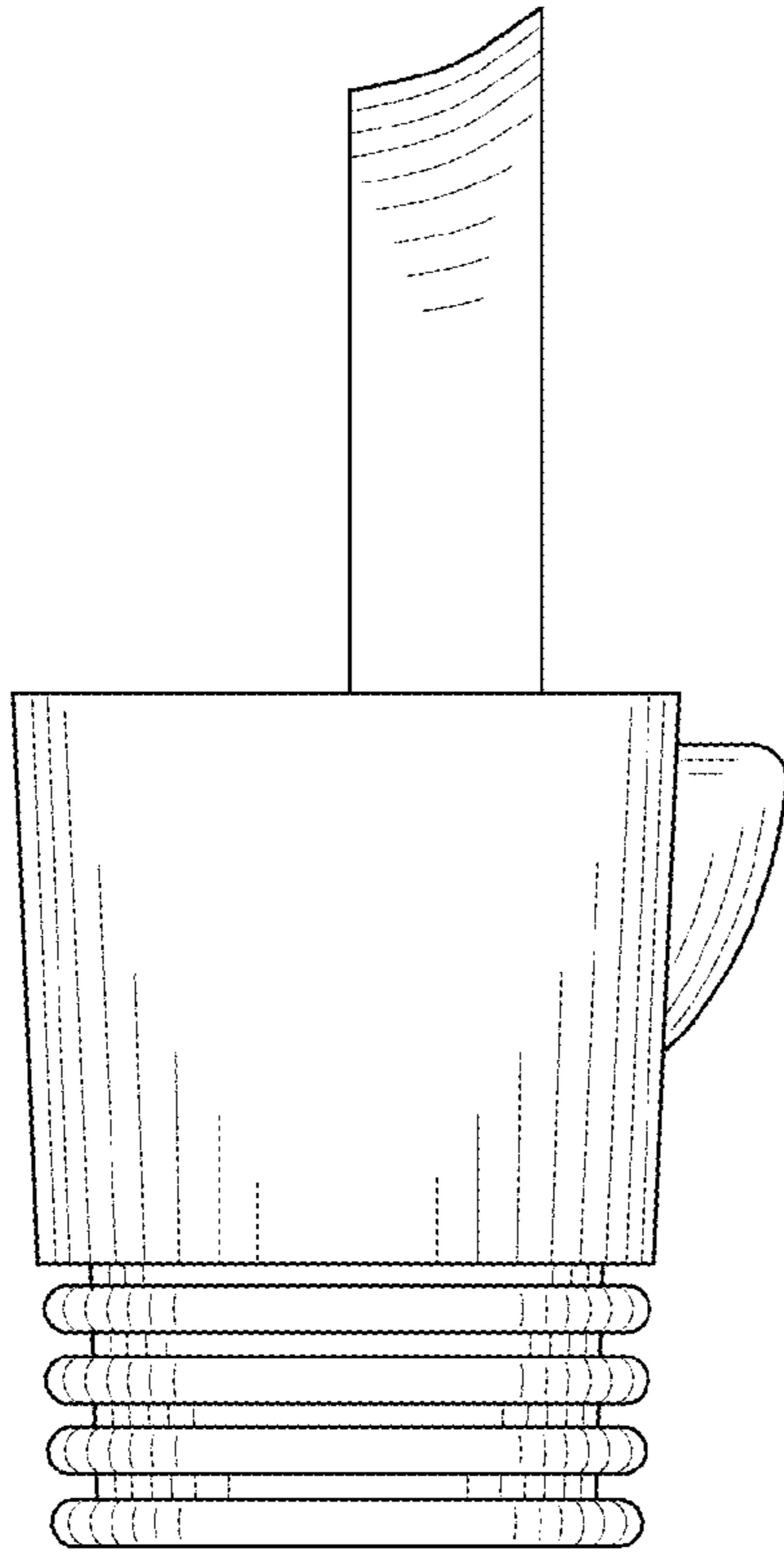


FIG. 3

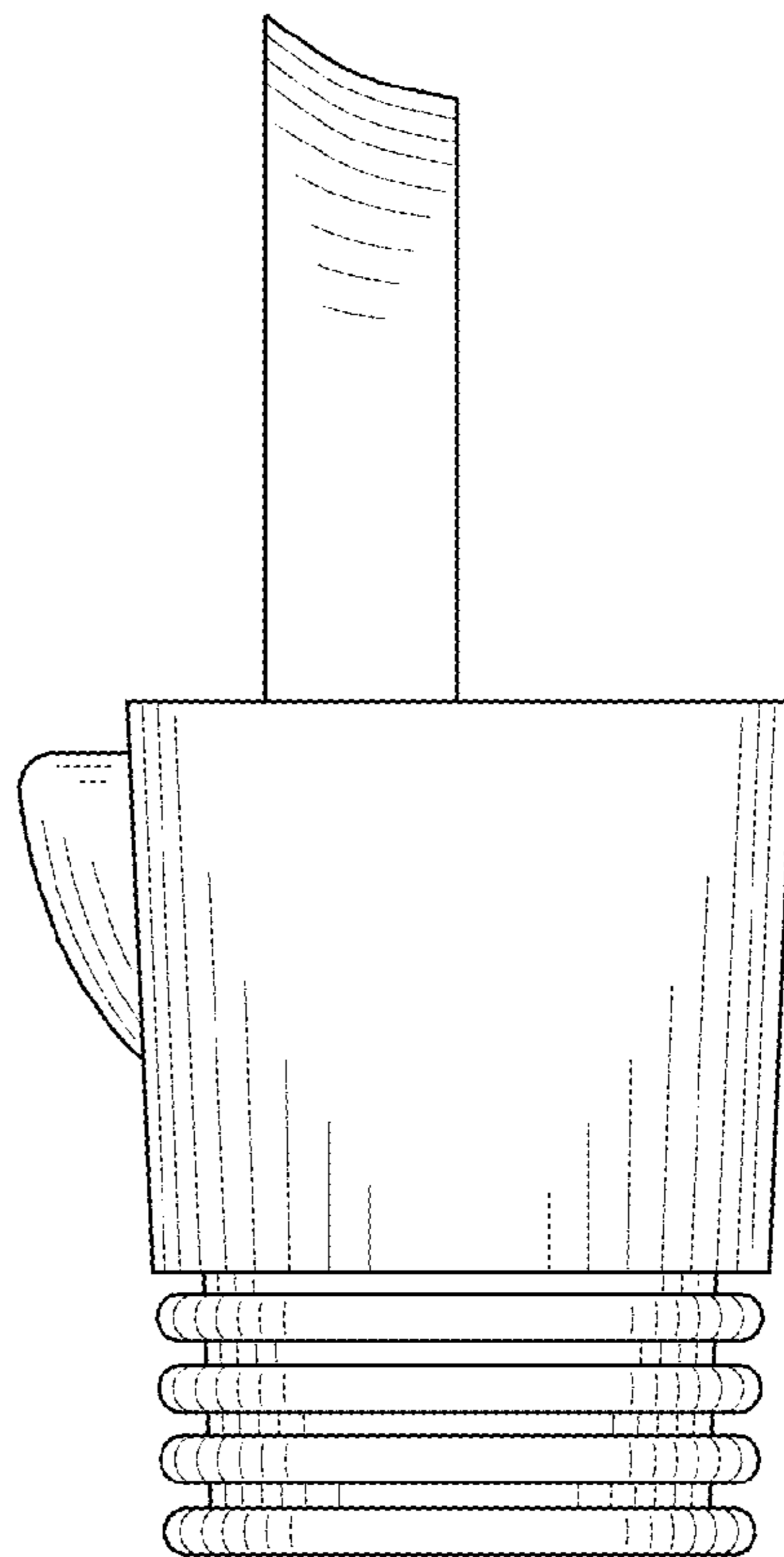


FIG. 4

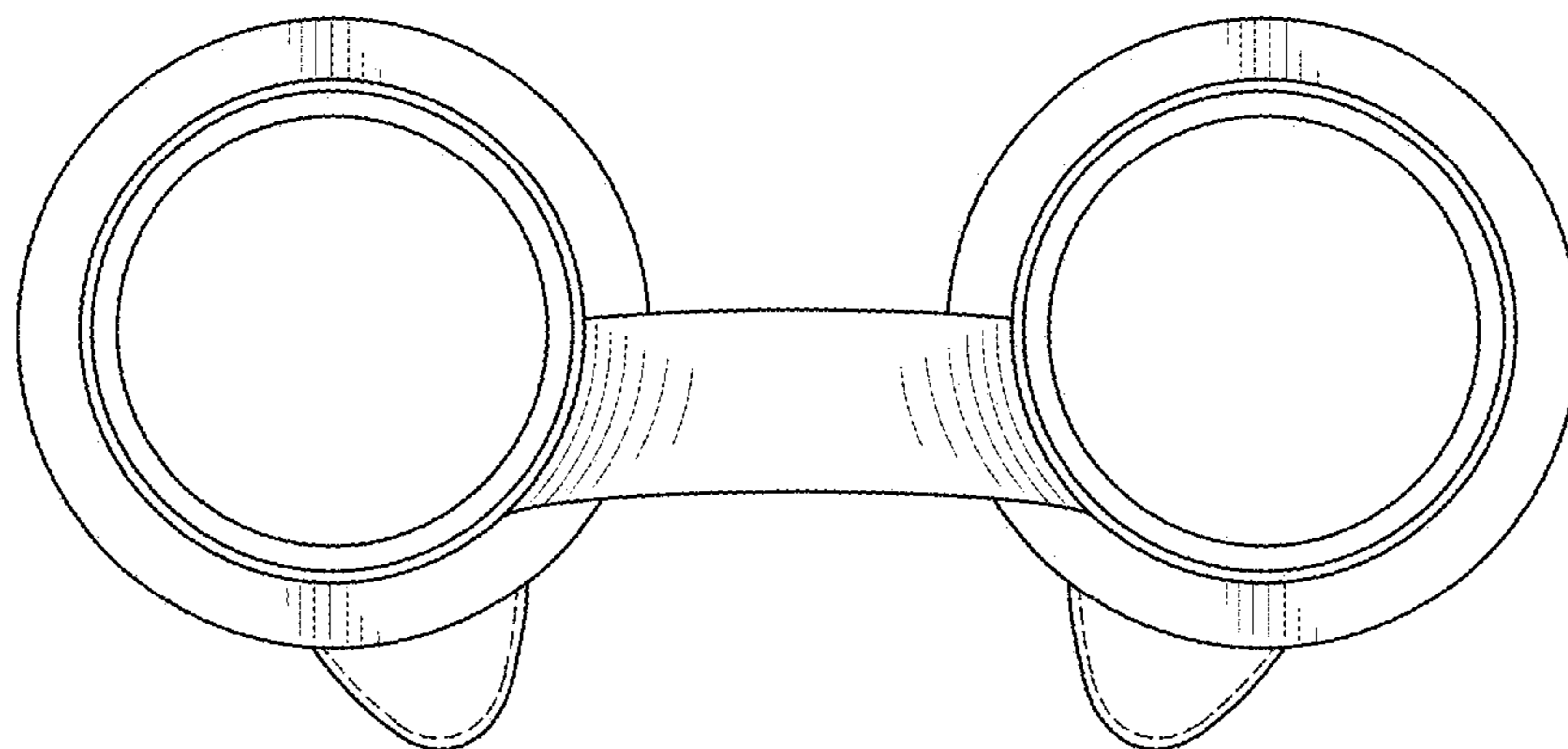


FIG. 5

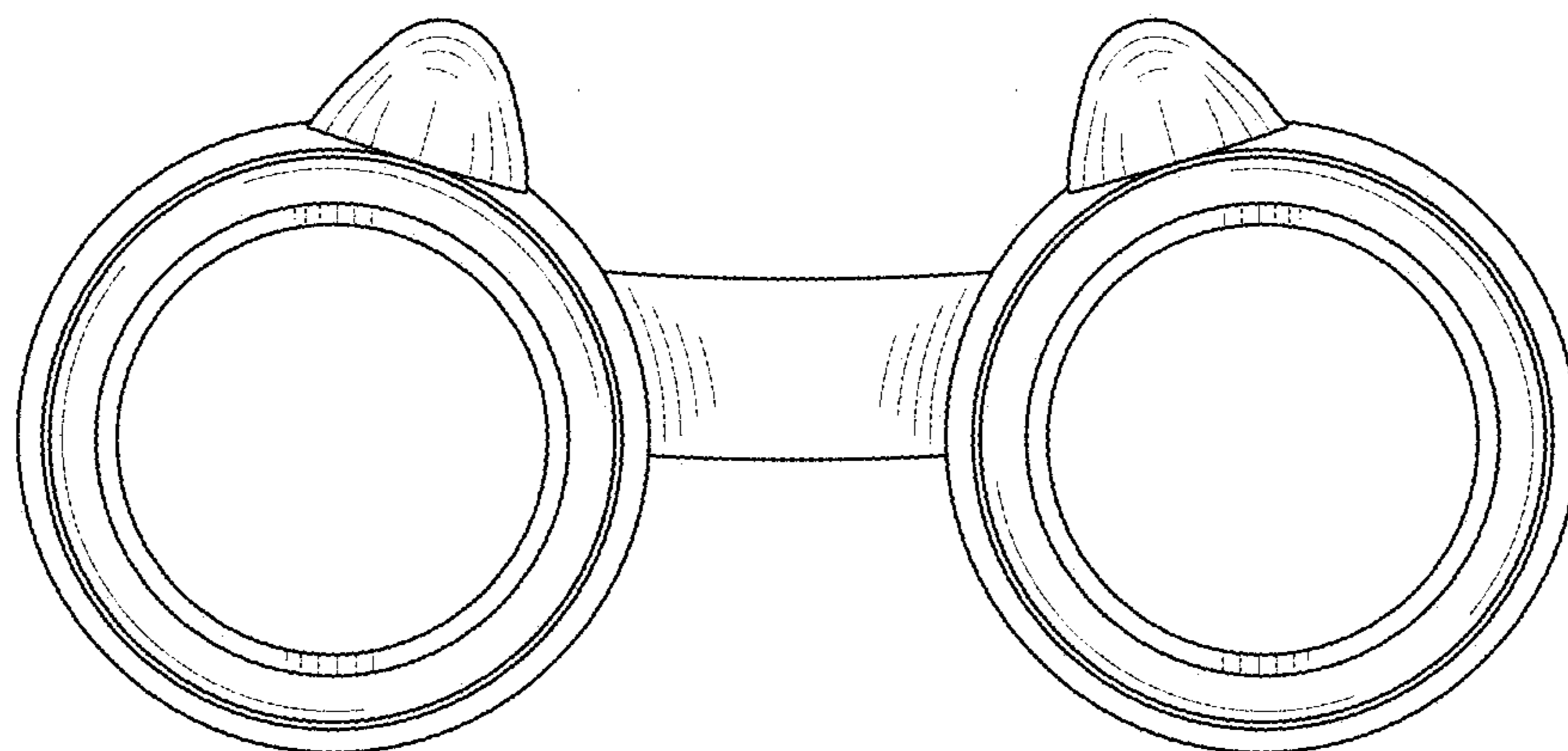


FIG. 6

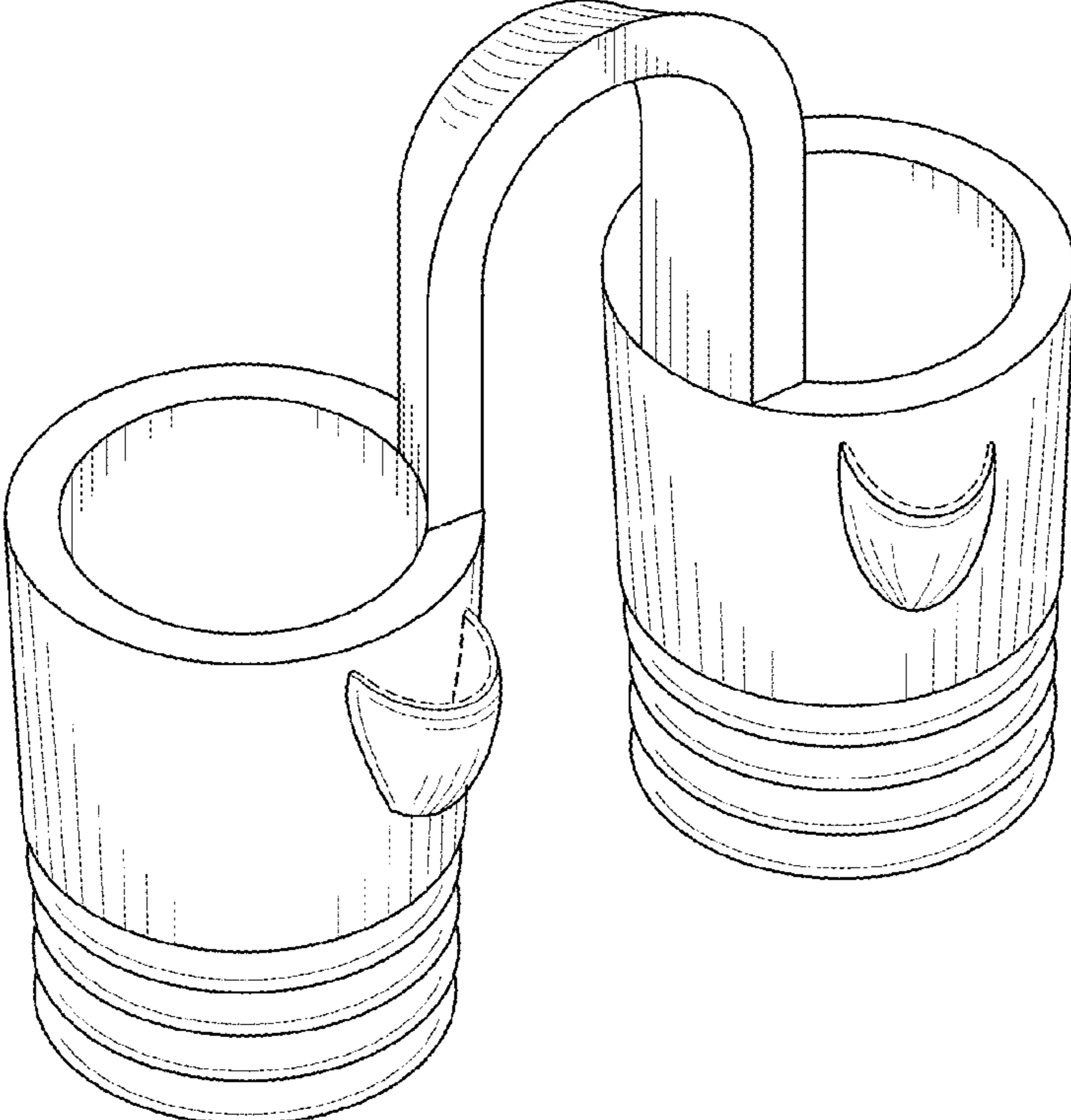


FIG. 7

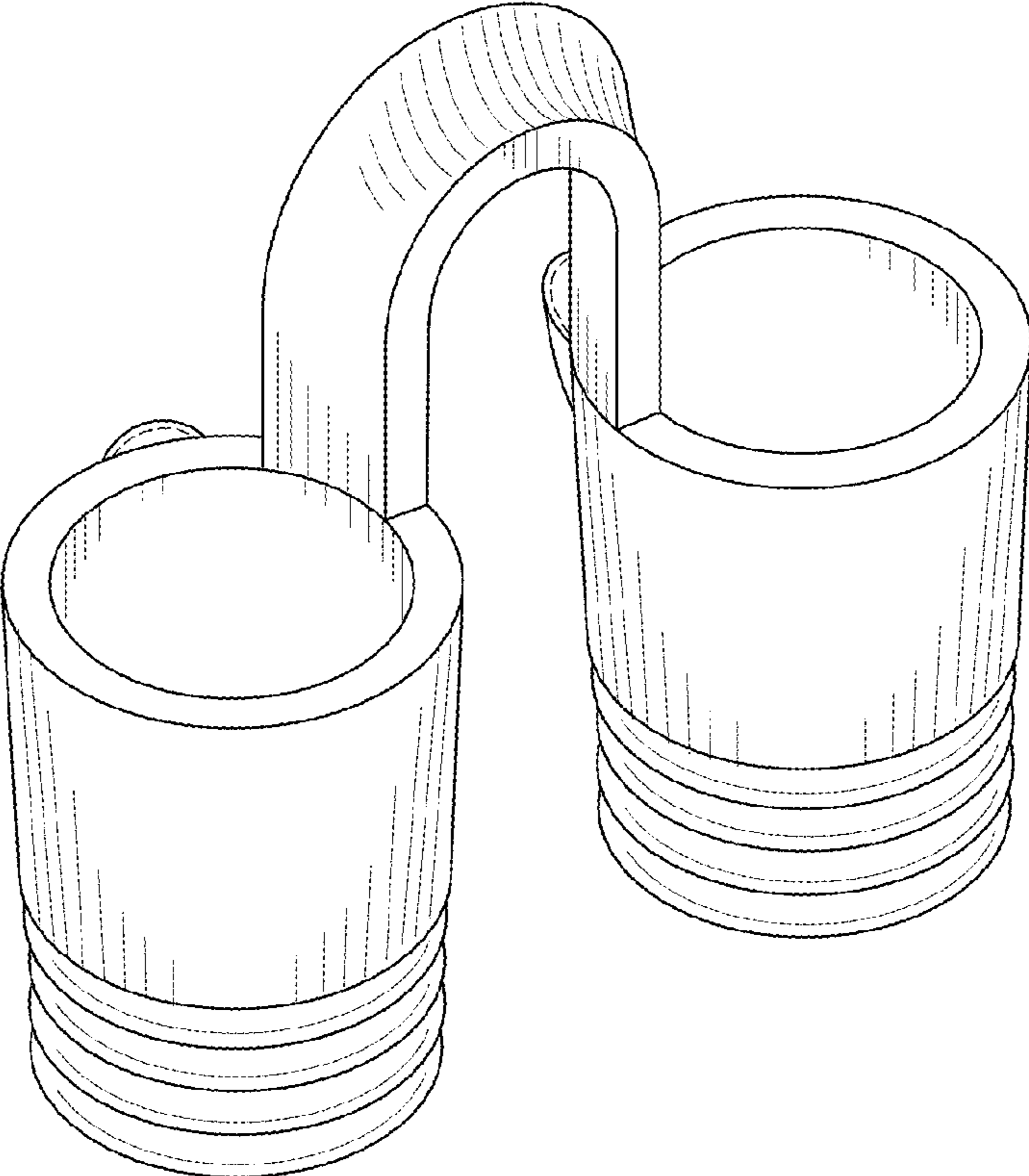


FIG. 8