



US00D737962S

(12) **United States Design Patent**  
**Schultz**

(10) **Patent No.:** **US D737,962 S**

(45) **Date of Patent:** **\*\* Sep. 1, 2015**

(54) **MEDICAL CONNECTOR WITH SPIRAL GUARD**

(71) Applicant: **Joseph P. Schultz**, Atlanta, GA (US)

(72) Inventor: **Joseph P. Schultz**, Atlanta, GA (US)

(\*\*) Term: **14 Years**

(21) Appl. No.: **29/480,775**

(22) Filed: **Jan. 29, 2014**

(51) **LOC (10) Cl.** ..... **24-02**

(52) **U.S. Cl.**  
USPC ..... **D24/129**

(58) **Field of Classification Search**  
USPC ..... D24/127–131, 112–114, 133, 186;  
606/181, 185; 604/264, 272, 115, 232,  
604/187, 158, 164.08, 192, 263, 163, 181,  
604/184, 198, 227; 600/101, 139, 143;  
128/200.24, 207.14, 207.15

See application file for complete search history.

(56) **References Cited**

**U.S. PATENT DOCUMENTS**

D327,318 S *	6/1992	Dudar et al. ....	D24/112
D358,882 S *	5/1995	Metz et al. ....	D24/112
D395,502 S *	6/1998	Deily et al. ....	D24/112
D431,864 S *	10/2000	Jansen ....	D24/129
D435,652 S *	12/2000	Nazarifar et al. ....	D24/129
D471,272 S *	3/2003	Douglas et al. ....	D24/108
D474,839 S *	5/2003	Francavilla et al. ....	D24/129
D534,796 S *	1/2007	Falkenburg ....	D9/434
D630,318 S *	1/2011	Goodwin ....	D24/129

D668,760 S *	10/2012	Kawamura .....	D24/130
D691,261 S *	10/2013	Kawamura .....	D24/130
D714,935 S *	10/2014	Nishioka et al. ....	D24/130
D717,948 S *	11/2014	Strong et al. ....	D24/130

\* cited by examiner

*Primary Examiner* — David Muller

(74) *Attorney, Agent, or Firm* — Merchant & Gould

(57) **CLAIM**

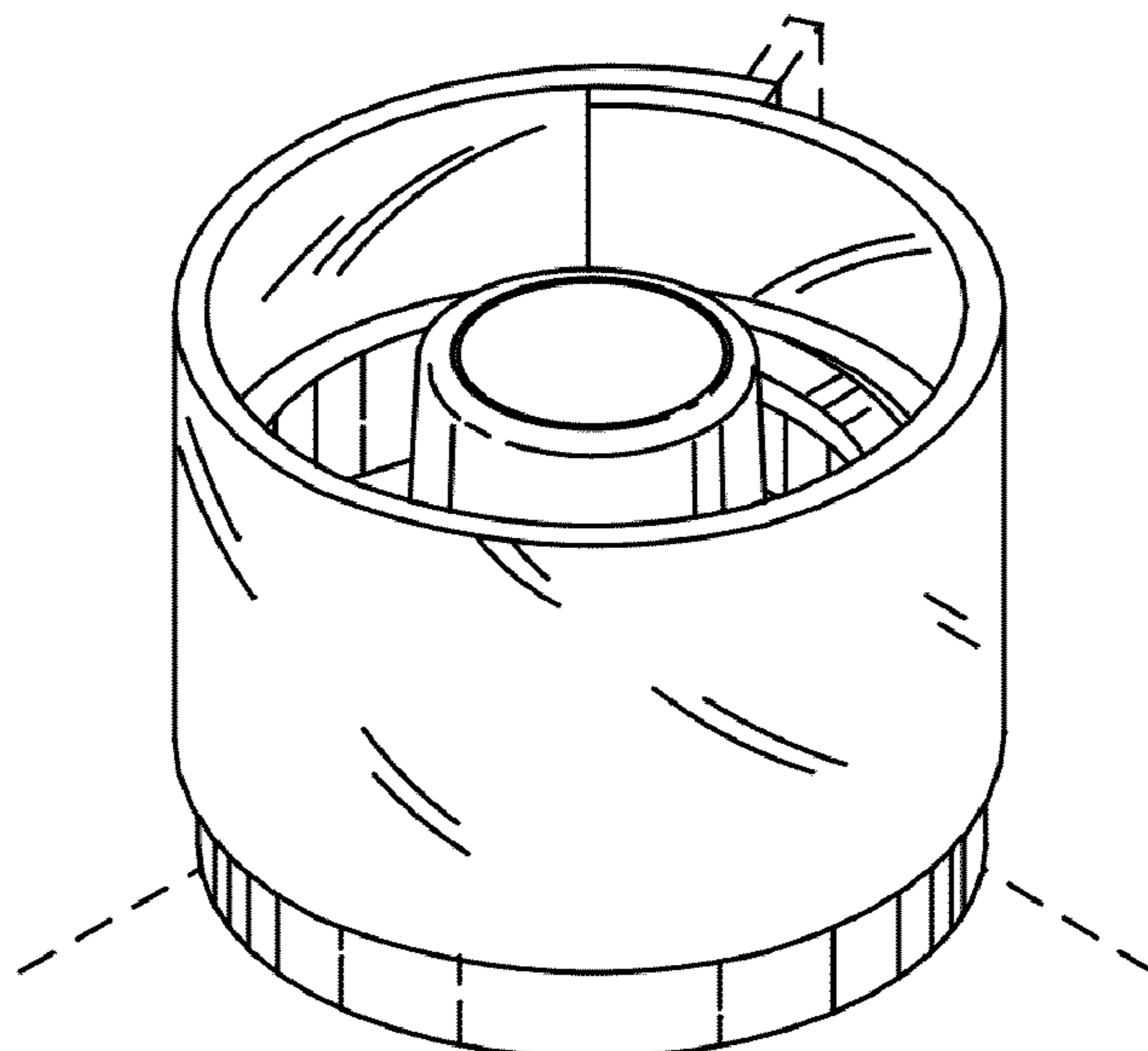
The ornamental design for a medical connector with spiral guard, as shown and described.

**DESCRIPTION**

FIG. 1 is a perspective view of a medical connector with spiral guard showing my new design; FIG. 2 is a front view thereof; FIG. 3 is a right-side view thereof; FIG. 4 is a rear view thereof; FIG. 5 is a left-side view thereof; FIG. 6 is a top view thereof; FIG. 7 is a sectional view through the section 7-7 of FIG. 6; FIG. 8 is a sectional view through the section 8-8 of FIG. 6; FIG. 9 is a perspective view of the medical connector of FIG. 1 with the spiral guard shown in an alternate position; and, FIG. 10 is a rear view of the medical connector of FIG. 1 with the spiral guard shown in an alternate position.

The evenly-spaced broken line depictions of environmental structure represents the medical-fluid delivery device with which the design may be associated and forms no part of the claimed design. The underside of my new design contains no ornamental features and is not directly visible when integrated with the medical-fluid delivery device.

**1 Claim, 4 Drawing Sheets**



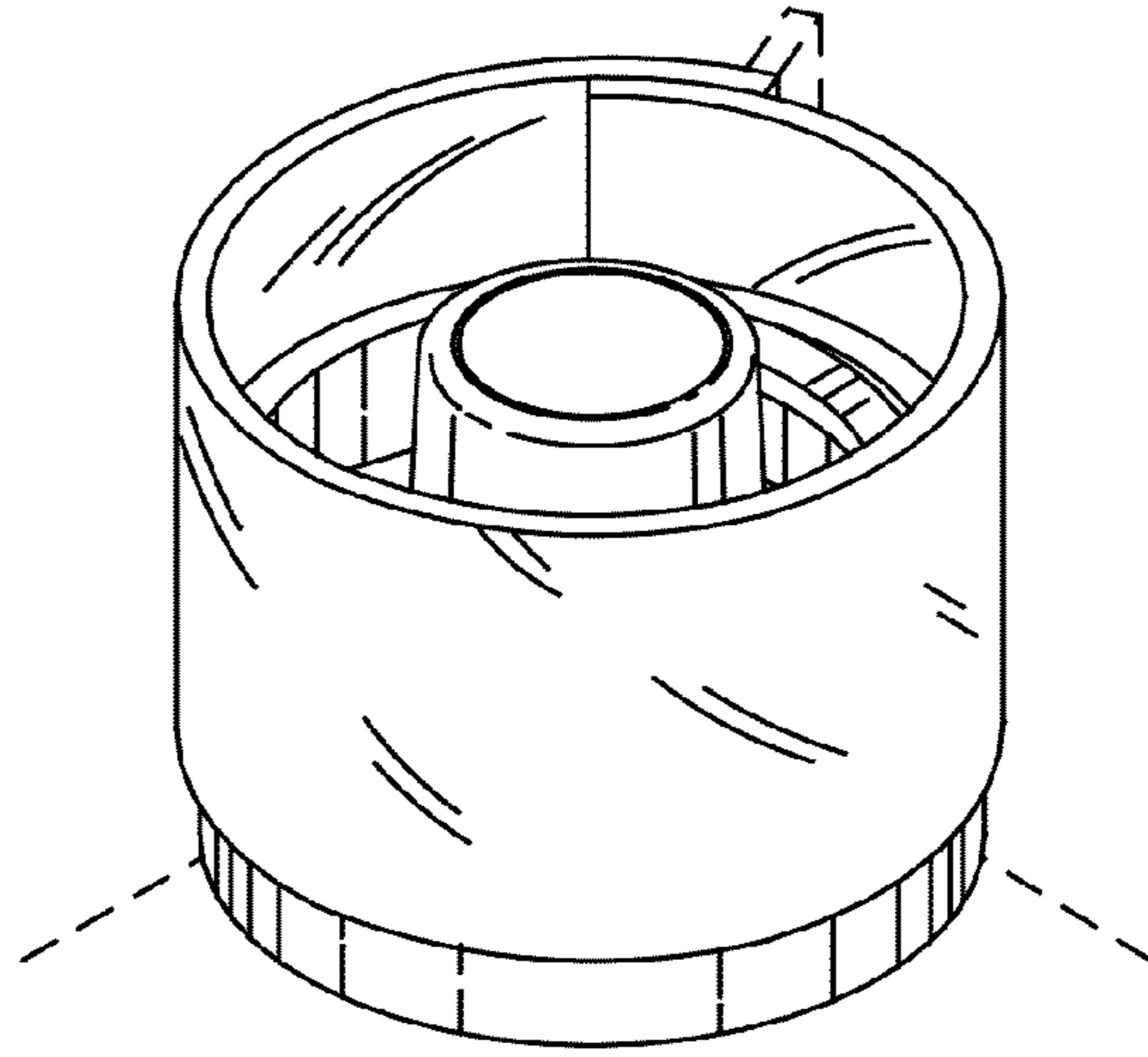


FIG. 1

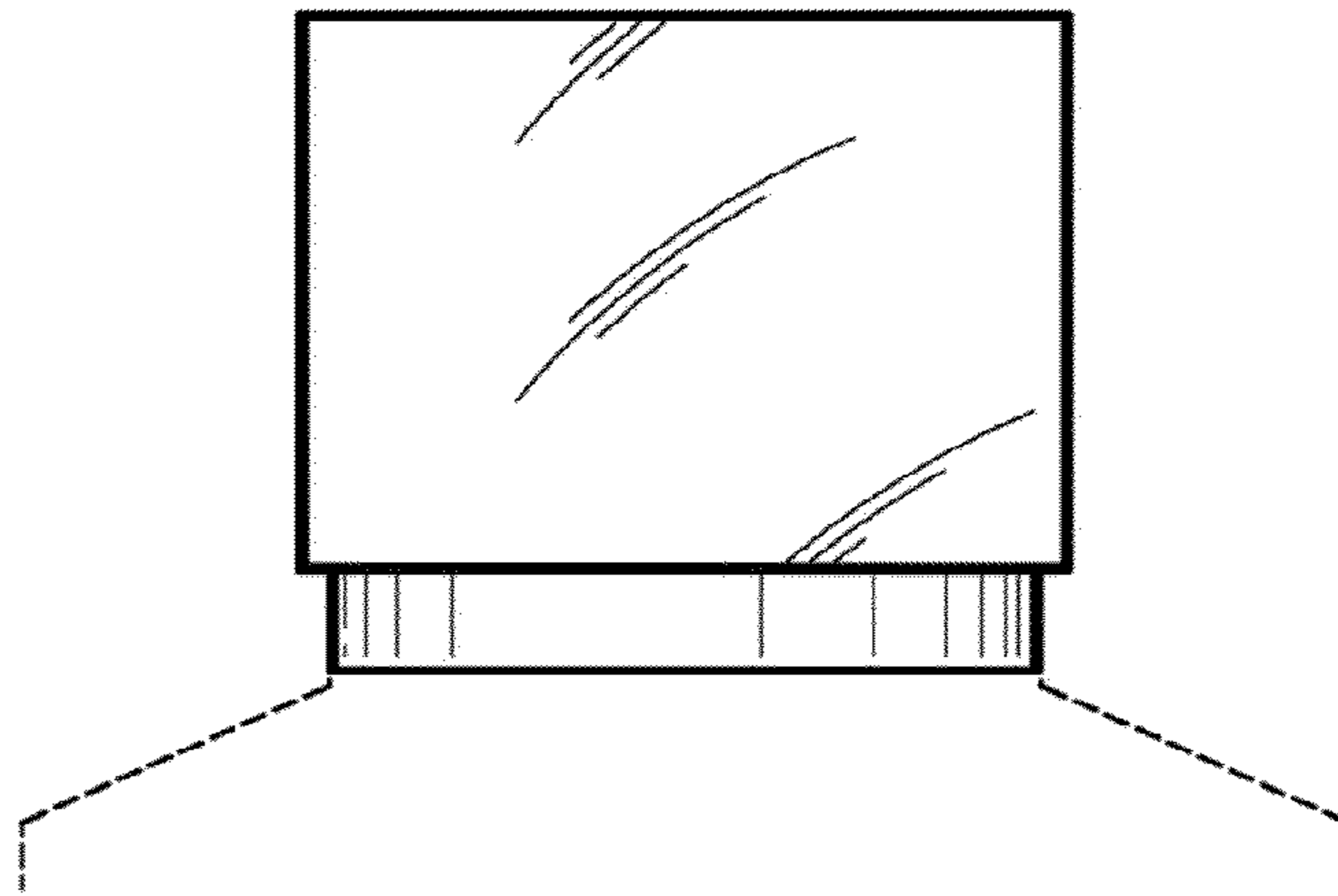


FIG. 2

