



US00D737961S

(12) **United States Design Patent**  
**Schultz**

(10) **Patent No.:** **US D737,961 S**  
(45) **Date of Patent:** **\*\* Sep. 1, 2015**

(54) **SHIELDED CONNECTOR FOR A MEDICAL DEVICE**

D668,760 S \* 10/2012 Kawamura ..... D24/130  
D691,261 S \* 10/2013 Kawamura ..... D24/130  
D714,935 S \* 10/2014 Nishioka et al. .... D24/130  
D717,948 S \* 11/2014 Strong et al. .... D24/130

(71) Applicant: **Joseph P. Schultz**, Atlanta, GA (US)

\* cited by examiner

(72) Inventor: **Joseph P. Schultz**, Atlanta, GA (US)

*Primary Examiner* — David Muller

(\*\*) Term: **14 Years**

(74) *Attorney, Agent, or Firm* — Merchant & Gould

(21) Appl. No.: **29/480,704**

(57) **CLAIM**

The ornamental design for a shielded connector for a medical device, as shown and described.

(22) Filed: **Jan. 28, 2014**

**DESCRIPTION**

(51) **LOC (10) Cl.** ..... **24-02**

(52) **U.S. Cl.**  
USPC ..... **D24/129**

(58) **Field of Classification Search**  
USPC ..... D24/127–131, 112–114, 133, 186;  
606/181, 185; 604/264, 272, 115, 232,  
604/187, 158, 164.08, 192, 263, 163, 181,  
604/184, 198, 227; 600/101, 139, 143;  
128/200.24, 207.14, 207.15

See application file for complete search history.

FIG. 1 is a perspective view of a shielded connector for a medical device showing my new design;  
FIG. 2 is a front view thereof, the rear view being a mirror image;  
FIG. 3 is a right-side view thereof, the left-side being a mirror image;  
FIG. 4 is a top view thereof;  
FIG. 5 is a sectional view through the section 5-5 of FIG. 4;  
FIG. 6 is a sectional view through the section 6-6 of FIG. 4;  
FIG. 7 is a perspective view of the shielded connector of FIG. 1 with a shield portion shown in an alternate position; and,  
FIG. 8 is a front view of the shielded connector of FIG. 1 with the shield portion shown in an alternate position.

The evenly-spaced broken line depiction of environmental structure represents the medical-fluid delivery device with which the design may be associated and forms no part of the claimed design. The underside of my new design contains no ornamental features and is not directly visible when integrated with the medical-fluid delivery device.

(56) **References Cited**

U.S. PATENT DOCUMENTS

D327,318 S \* 6/1992 Dudar et al. .... D24/112  
D358,882 S \* 5/1995 Metz et al. .... D24/112  
D395,502 S \* 6/1998 Deily et al. .... D24/112  
D431,864 S \* 10/2000 Jansen ..... D24/129  
D435,652 S \* 12/2000 Nazarifar et al. .... D24/129  
D471,272 S \* 3/2003 Douglas et al. .... D24/108  
D474,839 S \* 5/2003 Francavilla et al. .... D24/129  
D534,796 S \* 1/2007 Falkenburg ..... D9/434  
D630,318 S \* 1/2011 Goodwin ..... D24/129

**1 Claim, 3 Drawing Sheets**

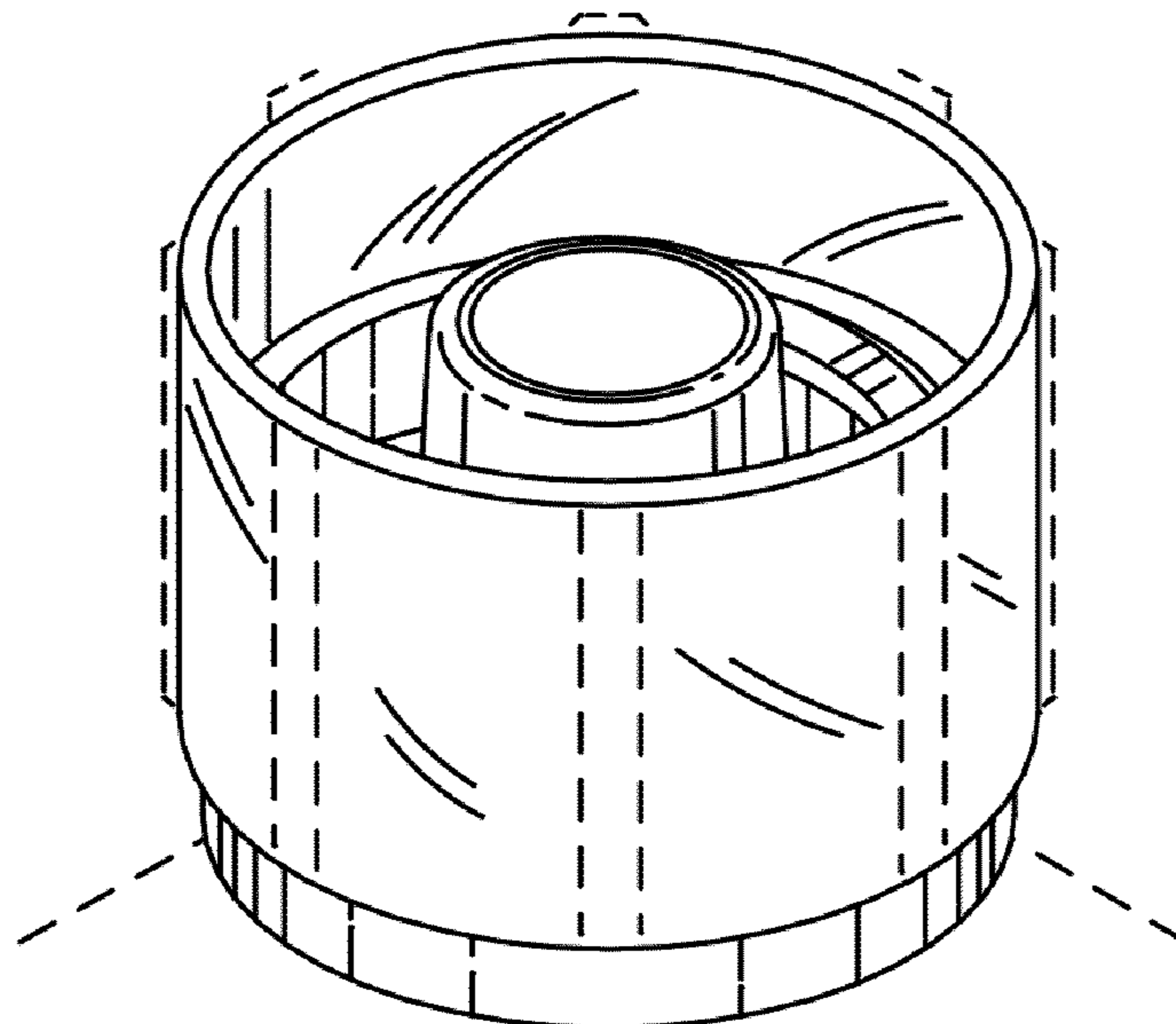


FIG. 1

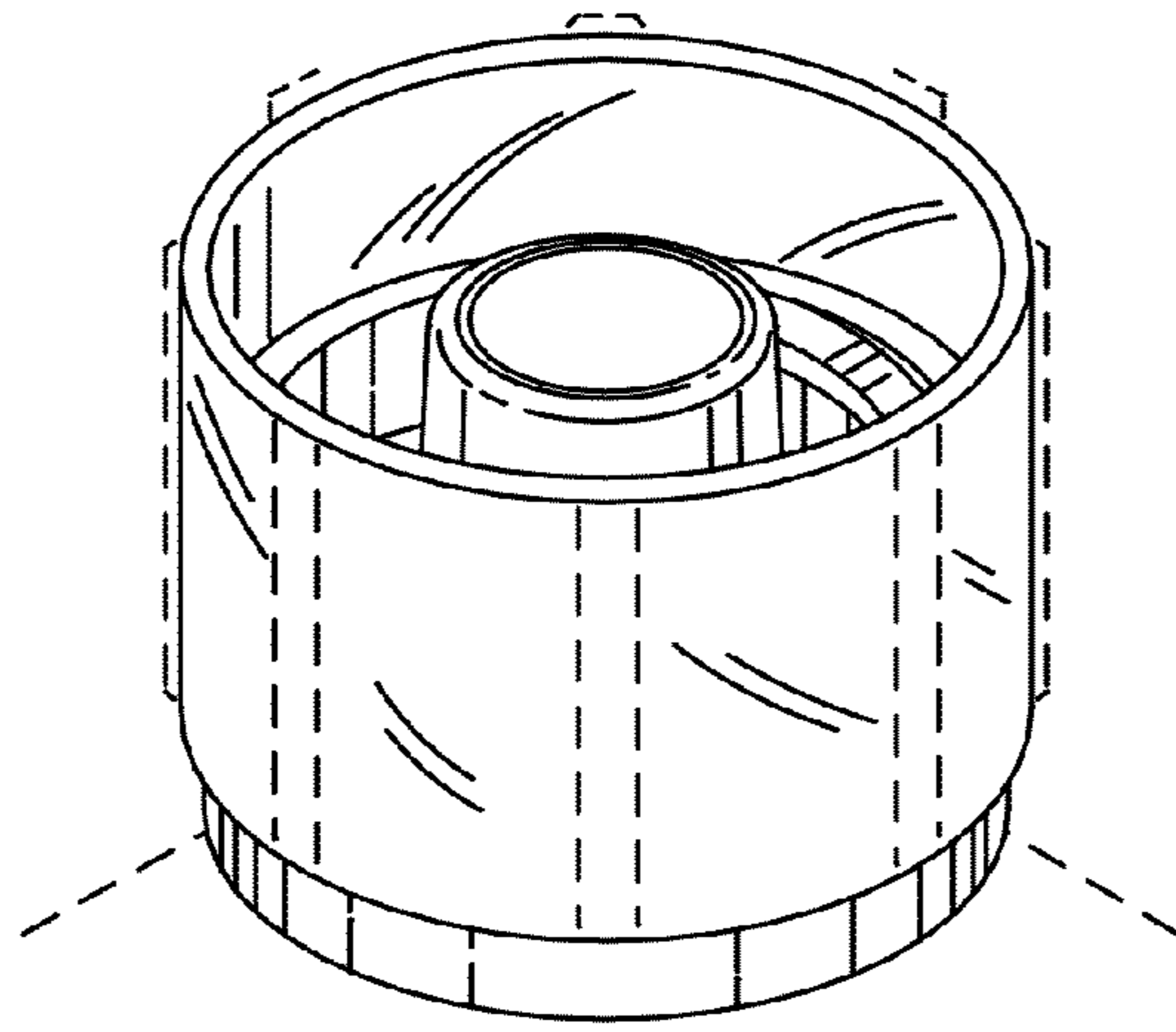


FIG. 2

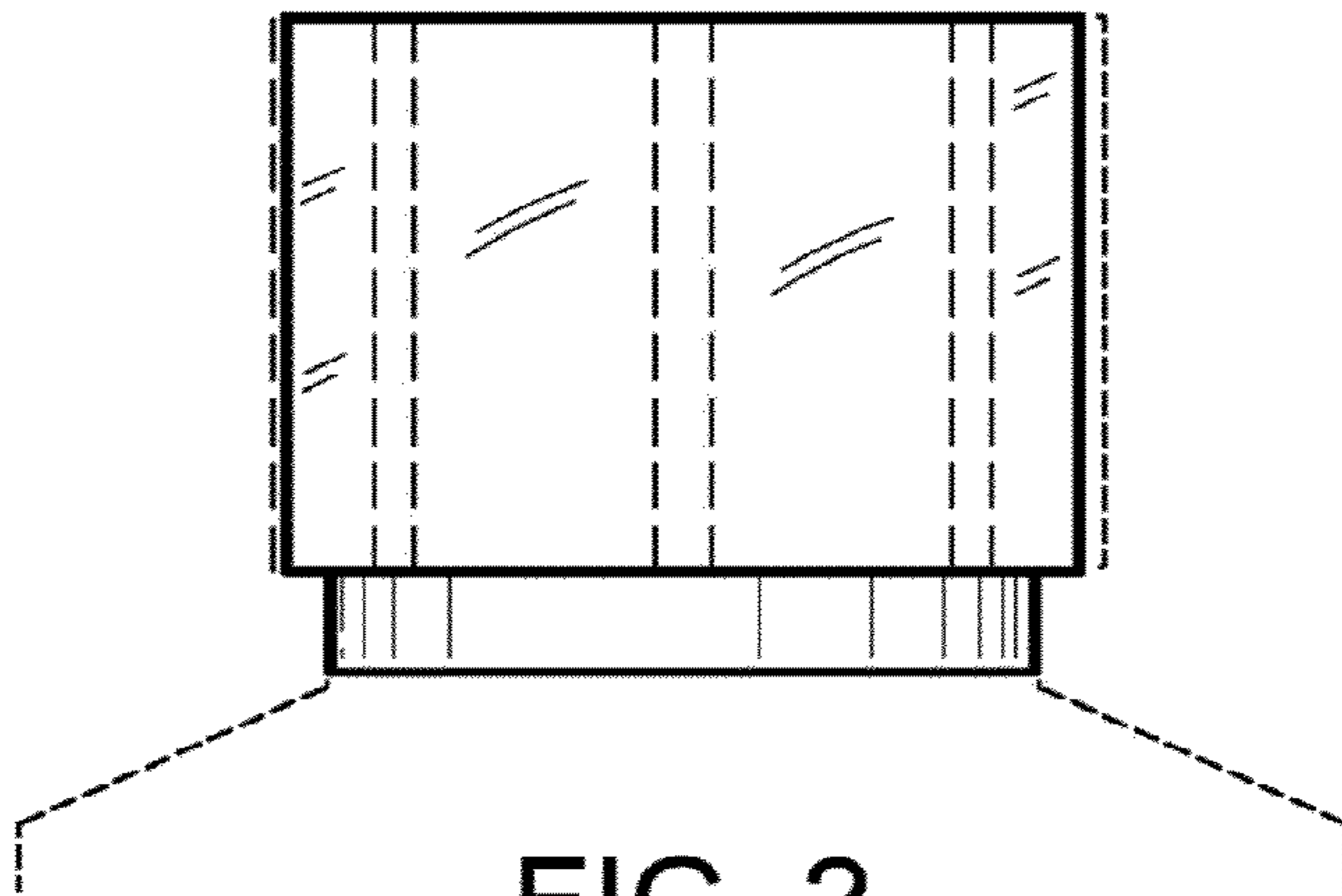


FIG. 3

