

US00D737959S

(12) **United States Design Patent**  
**Wilson**

(10) **Patent No.:** **US D737,959 S**

(45) **Date of Patent:** **\*\* Sep. 1, 2015**

(54) **RETRIEVAL PAN**

(71) Applicant: **CapsoVision, Inc.**, Saratoga, CA (US)

(72) Inventor: **Gordon Wilson**, San Francisco, CA (US)

(73) Assignee: **CapsoVision Inc.**, Saratoga, CA (US)

(\*\*) Term: **14 Years**

(21) Appl. No.: **29/449,842**

(22) Filed: **Mar. 15, 2013**

(51) **LOC (10) Cl.** ..... **24-04**

(52) **U.S. Cl.**  
USPC ..... **D24/123**

(58) **Field of Classification Search**  
USPC ..... D24/121-123, 112, 207, 216, 224;  
D9/716, 425, 428, 429; D7/679, 682,  
D7/543, 545, 565, 587, 667, 700; 366/130,  
366/341; 206/219, 220; 220/574, 608;  
604/540, 329, 317

See application file for complete search history.

(56) **References Cited**

**U.S. PATENT DOCUMENTS**

D199,593 S *	11/1964	Reifers	.....	D9/425
D216,058 S *	11/1969	Painter	.....	D24/123
D234,025 S *	12/1974	Potter	.....	D24/224
D275,606 S *	9/1984	Zawachi	.....	D24/122
4,898,298 A *	2/1990	Norris	.....	220/711
D310,123 S *	8/1990	Carlson	.....	D24/162
D589,797 S *	4/2009	Stuart	.....	D9/454
D611,768 S *	3/2010	Muhl et al.	.....	D7/543

D618,497 S *	6/2010	Malaspino et al.	.....	D7/388
D662,602 S *	6/2012	Foster et al.	.....	D24/220
D674,482 S *	1/2013	Wurapa	.....	D24/121
D694,621 S *	12/2013	McCarthy et al.	.....	D9/429
2011/0303679 A1 *	12/2011	Yu	.....	220/574

**OTHER PUBLICATIONS**

Youtube, CapsoVision company film at 6.43-6.45, Nov. 7, 2011, <https://www.youtube.com/watch?v=qhUINQ9tlBc>.\*

\* cited by examiner

*Primary Examiner* — David Muller

*Assistant Examiner* — Nathan Johnston

(74) *Attorney, Agent, or Firm* — Brosemer, Kolefas & Associates

(57) **CLAIM**

The ornamental design for a retrieval pan, as shown and described.

**DESCRIPTION**

FIG. 1 is a top perspective view of a retrieval pan showing my new design;

FIG. 2 is a bottom perspective view thereof;

FIG. 3 is a front view thereof;

FIG. 4 is a bottom view thereof;

FIG. 5 is a sectional view along reference line 5-5 of FIG. 4;

FIG. 6 is a sectional view along reference line 6-6 of FIG. 4;

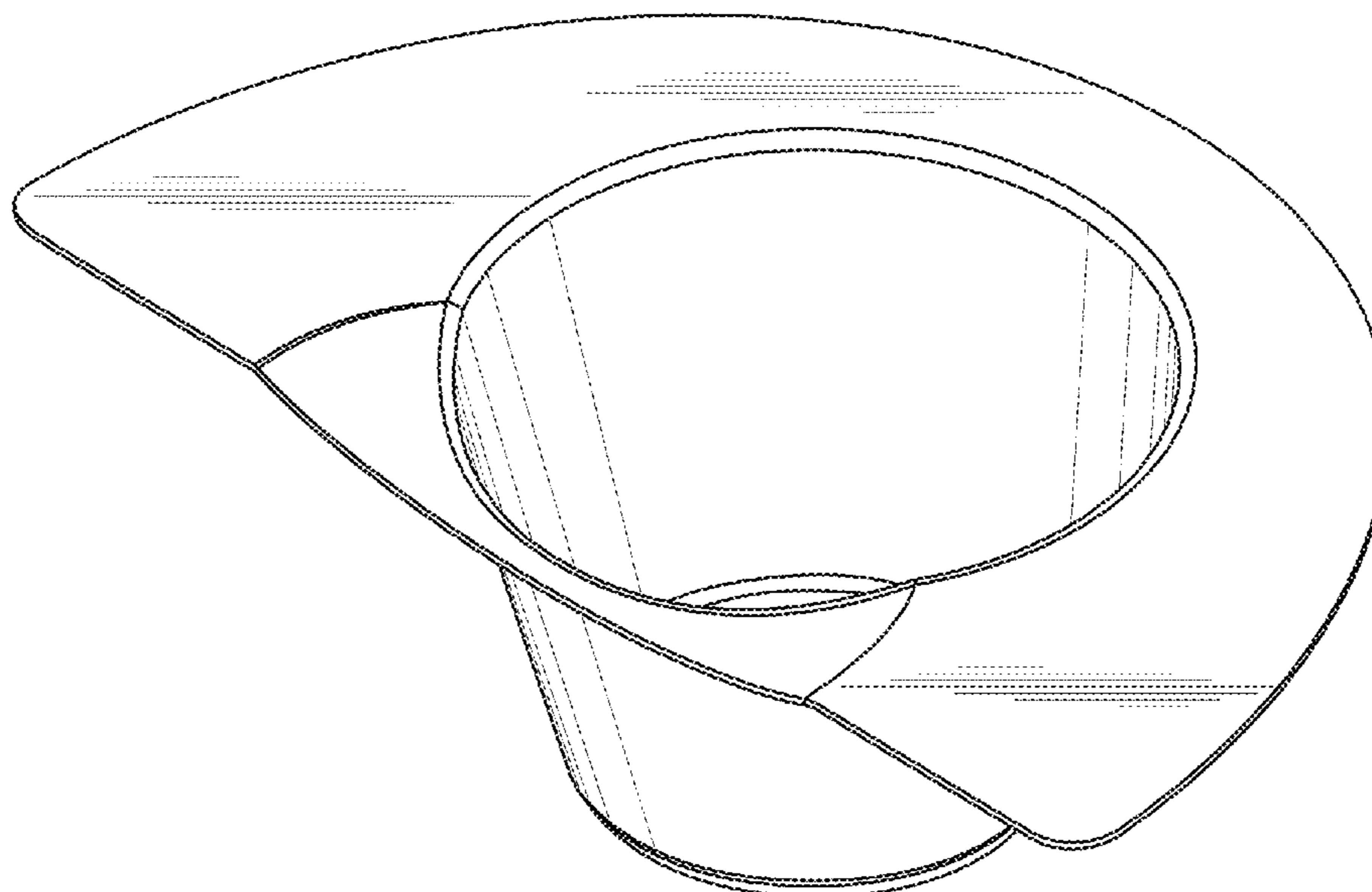
FIG. 7 is a back view thereof;

FIG. 8 is an additional top perspective view thereof; and,

FIG. 9 is a left side view thereof.

Any shading shown represents a contrast in appearance for illustrative purposes and forms no part of the claimed design and does not depict any specific color, material, or texture.

**1 Claim, 9 Drawing Sheets**



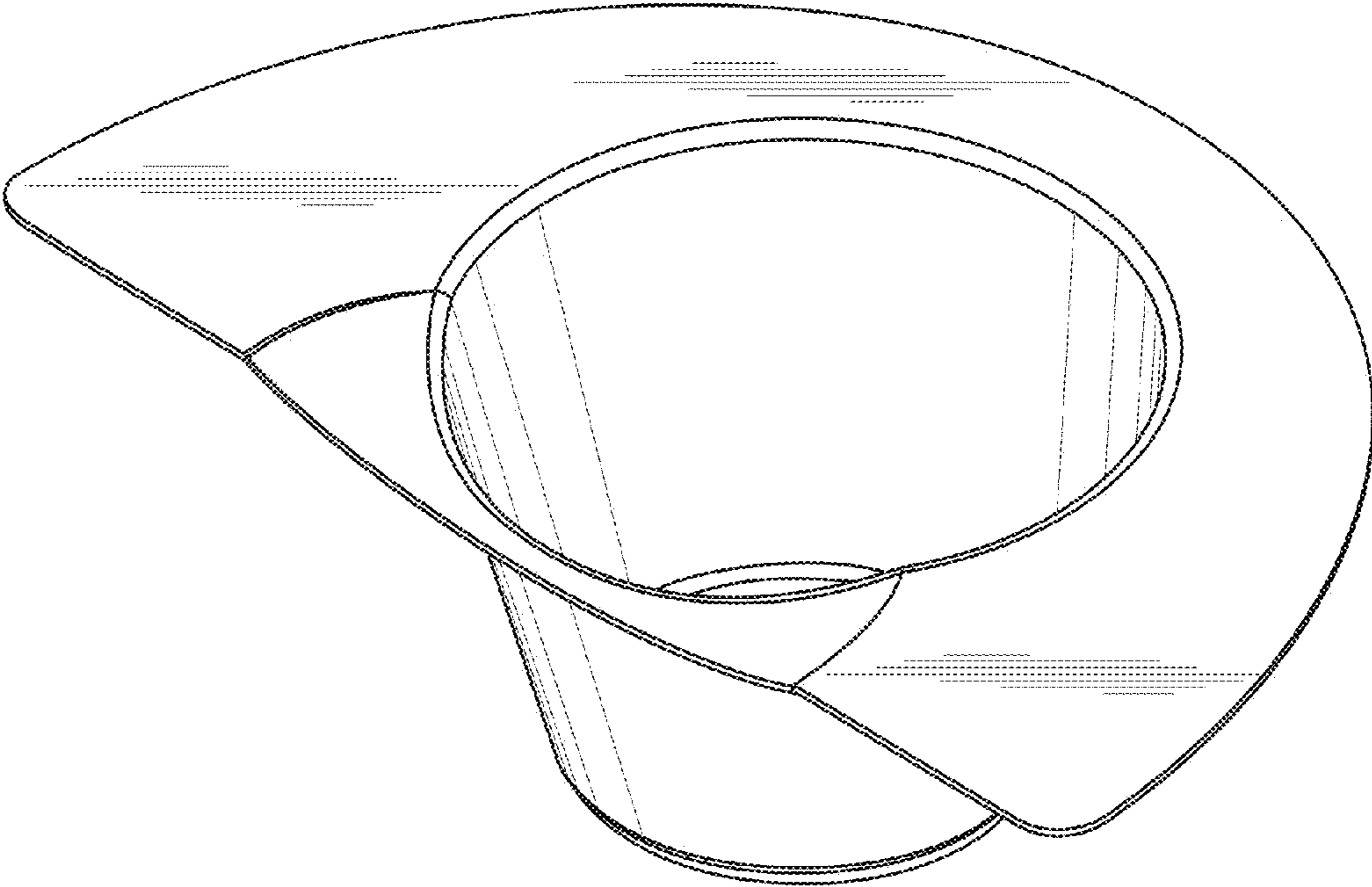


FIG. 1

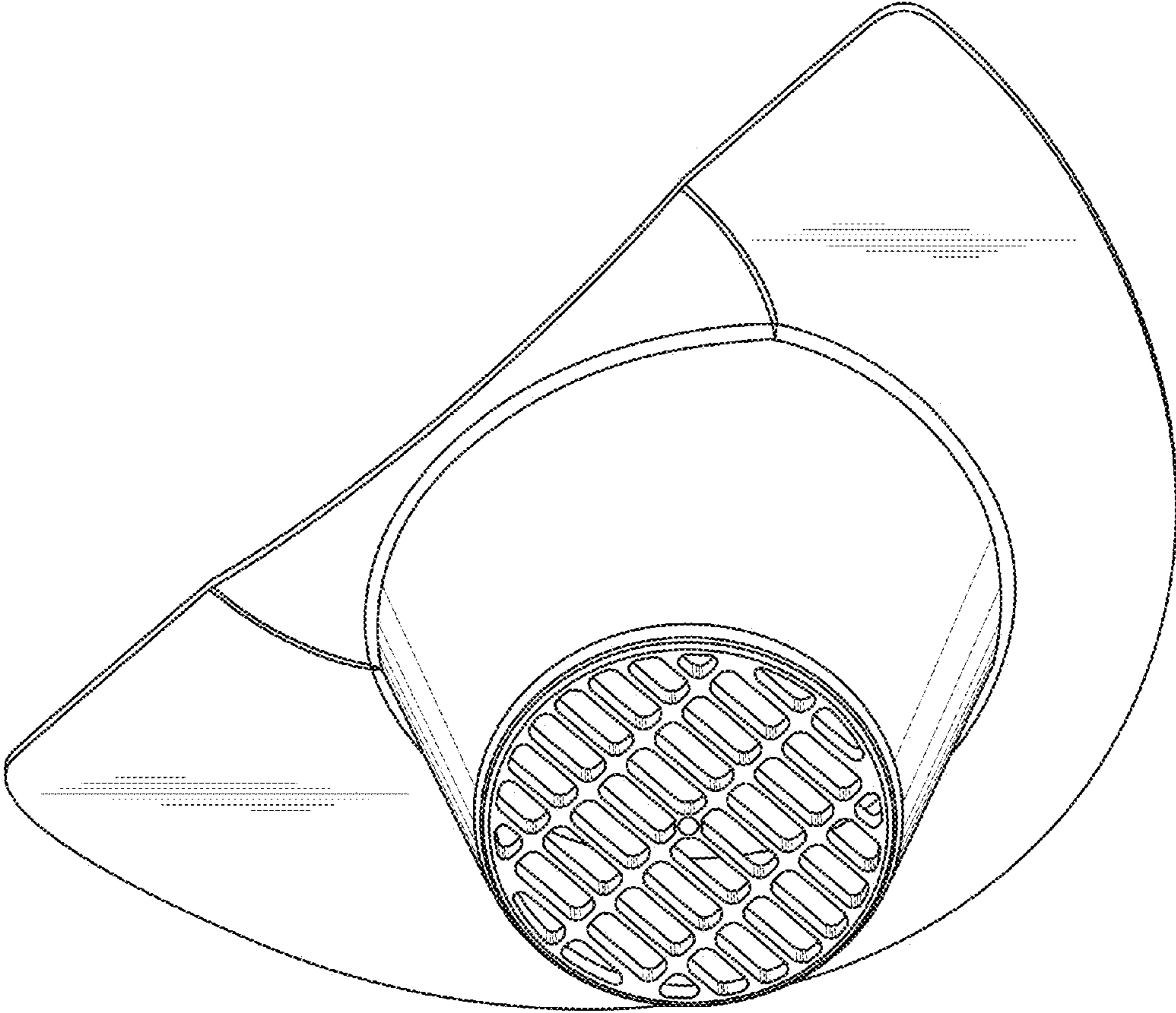


FIG. 2

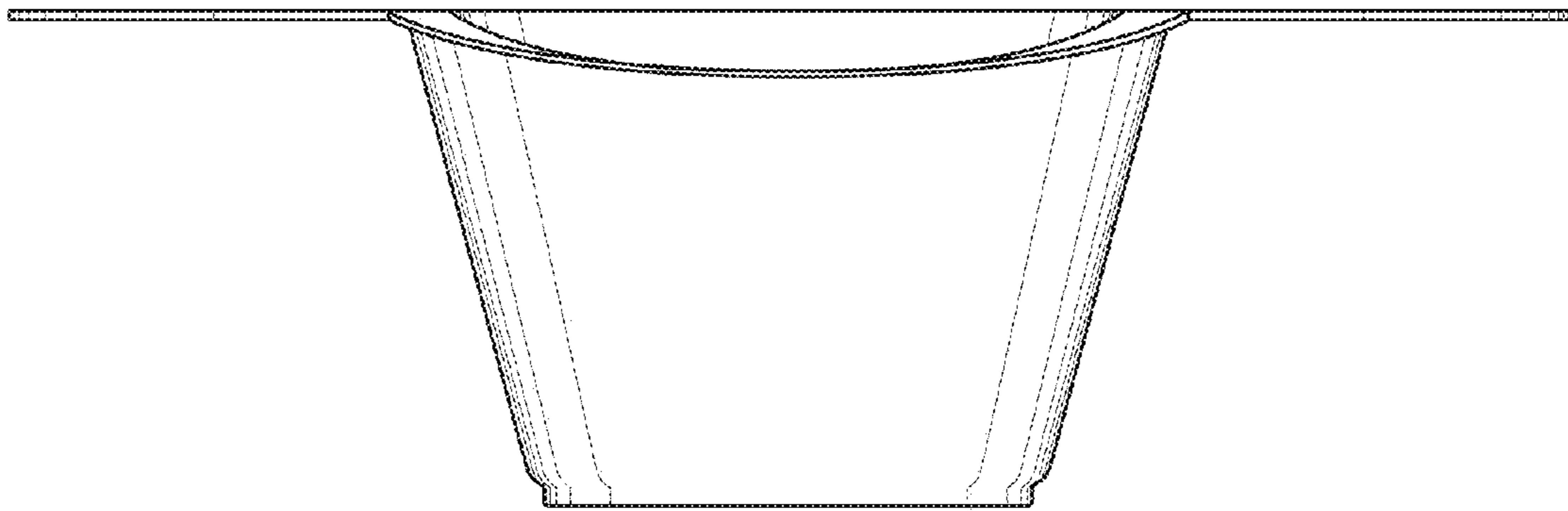


FIG. 3

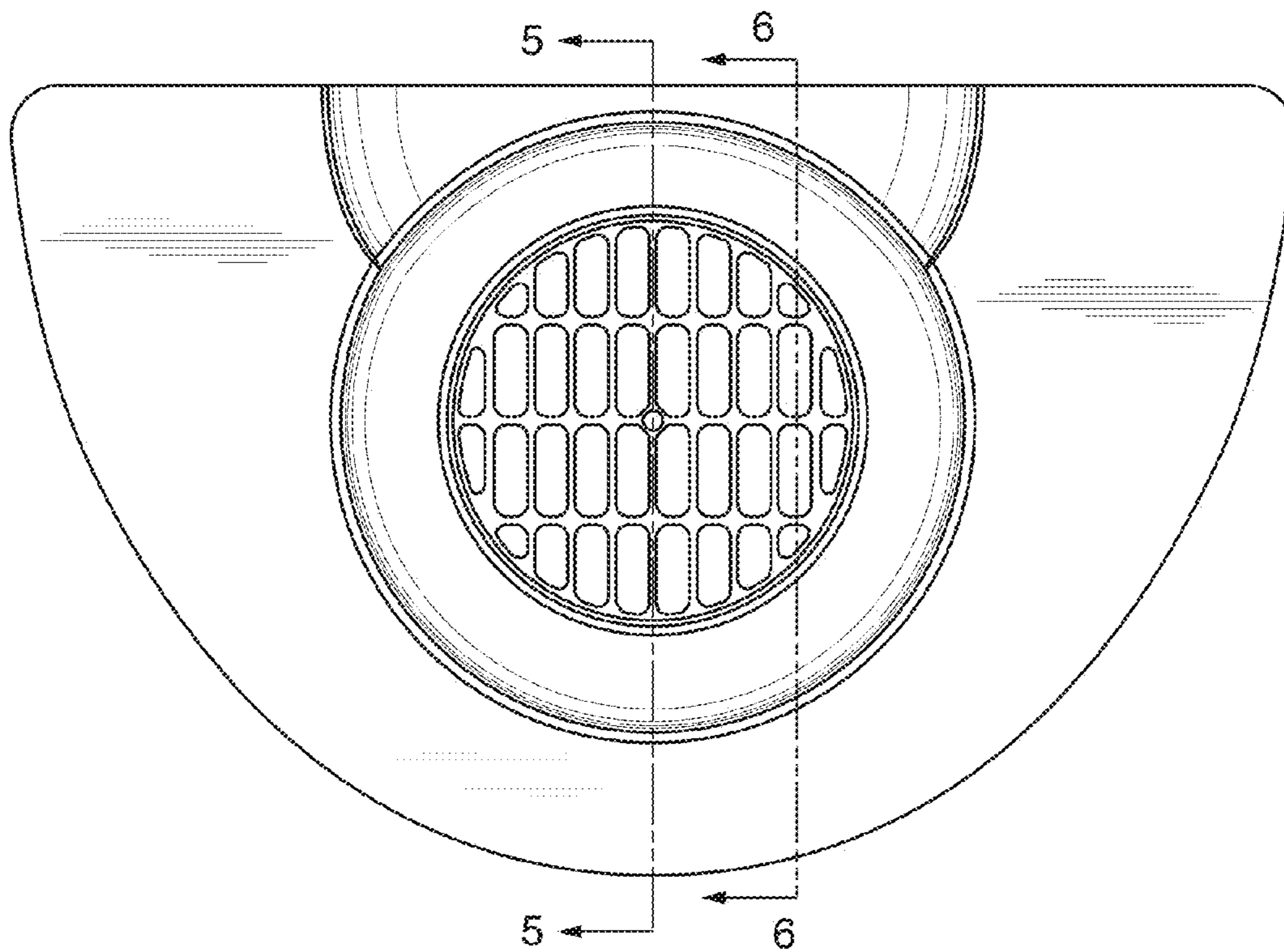


FIG. 4



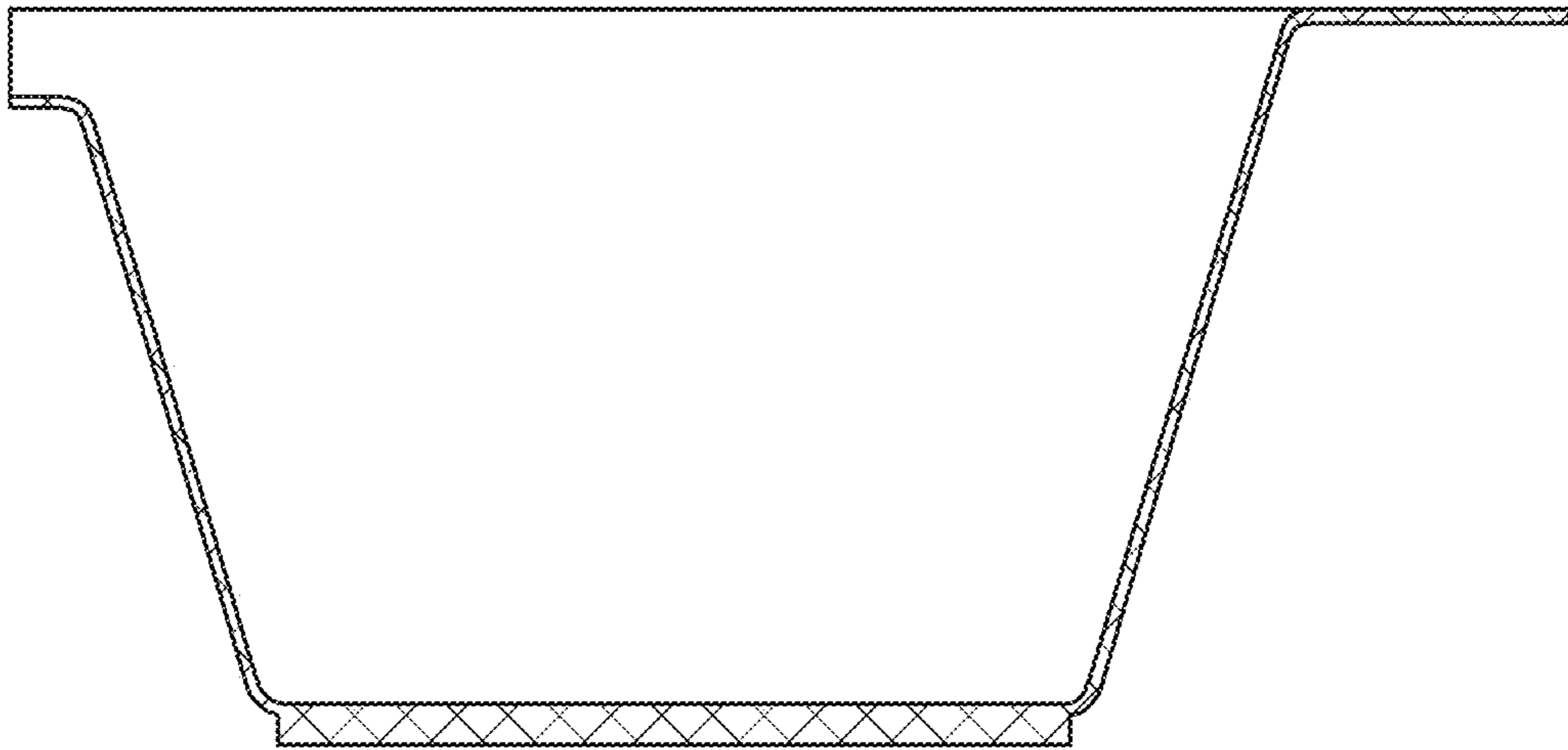


FIG. 5

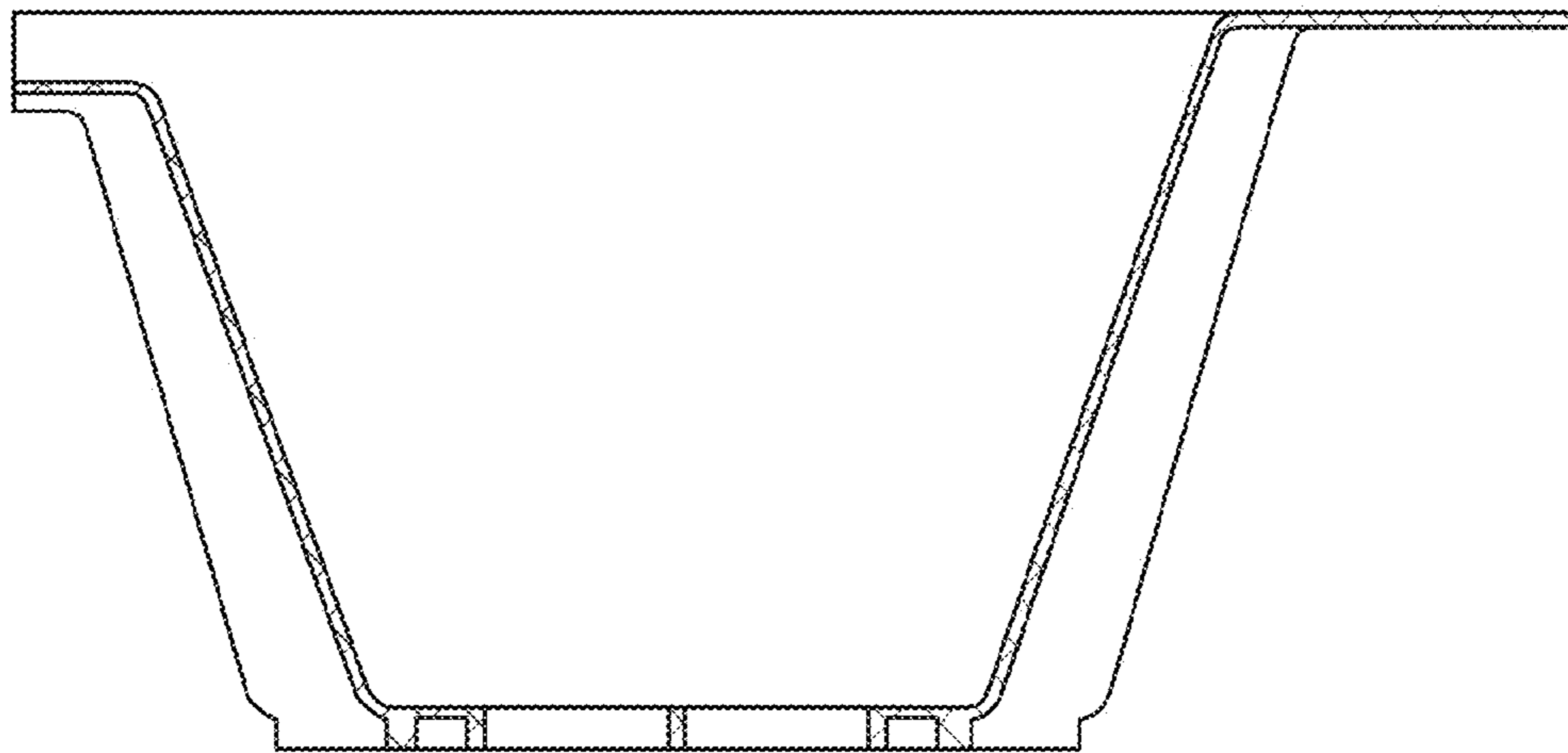


FIG. 6

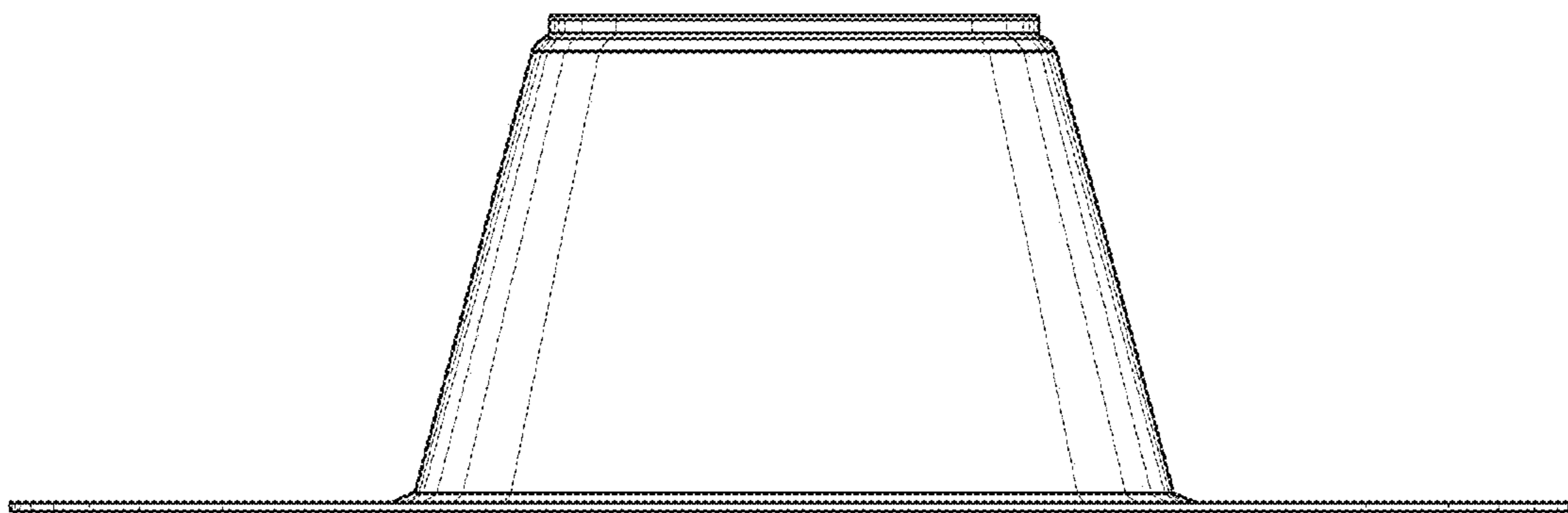


FIG. 7



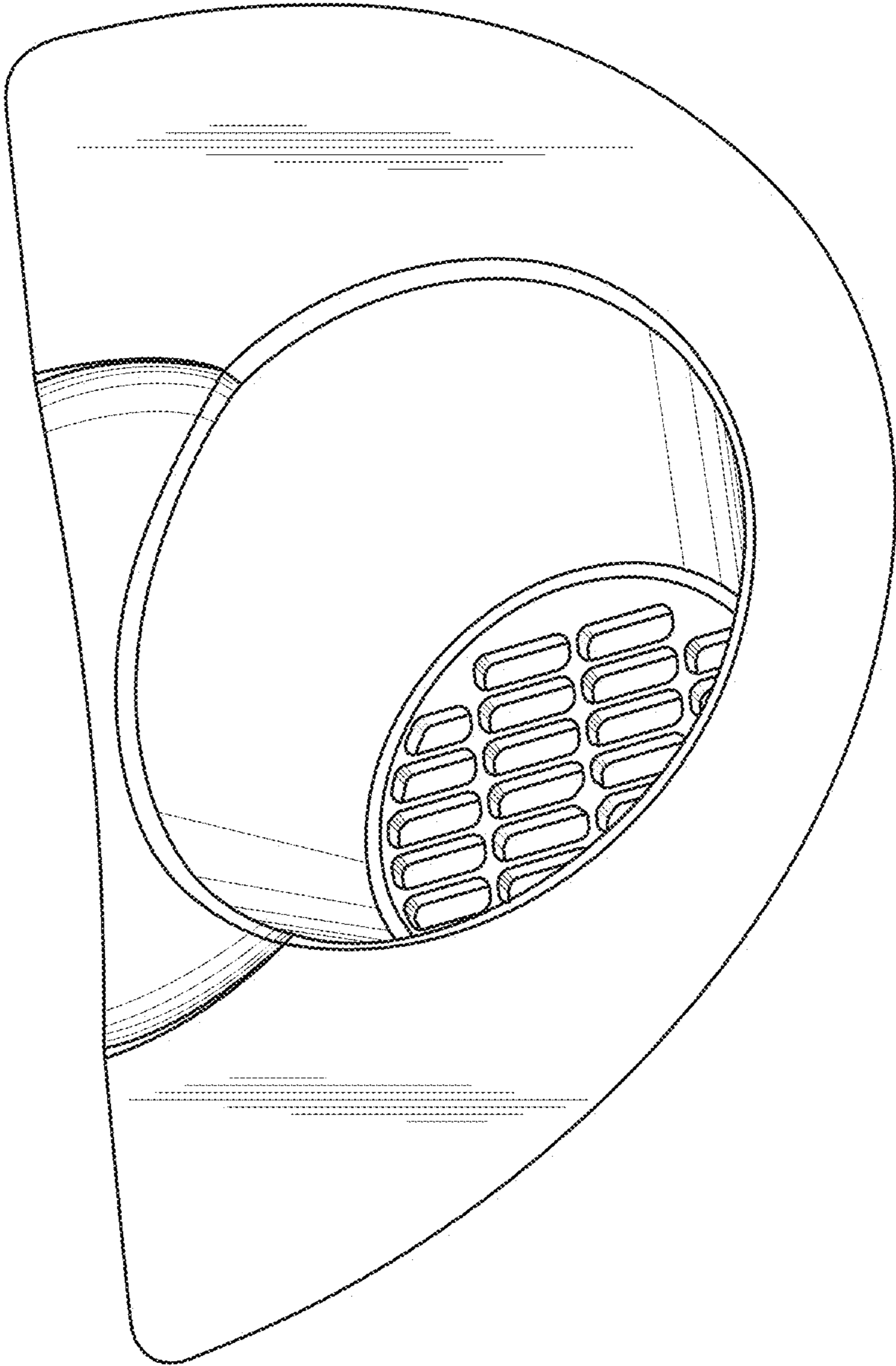


FIG. 8

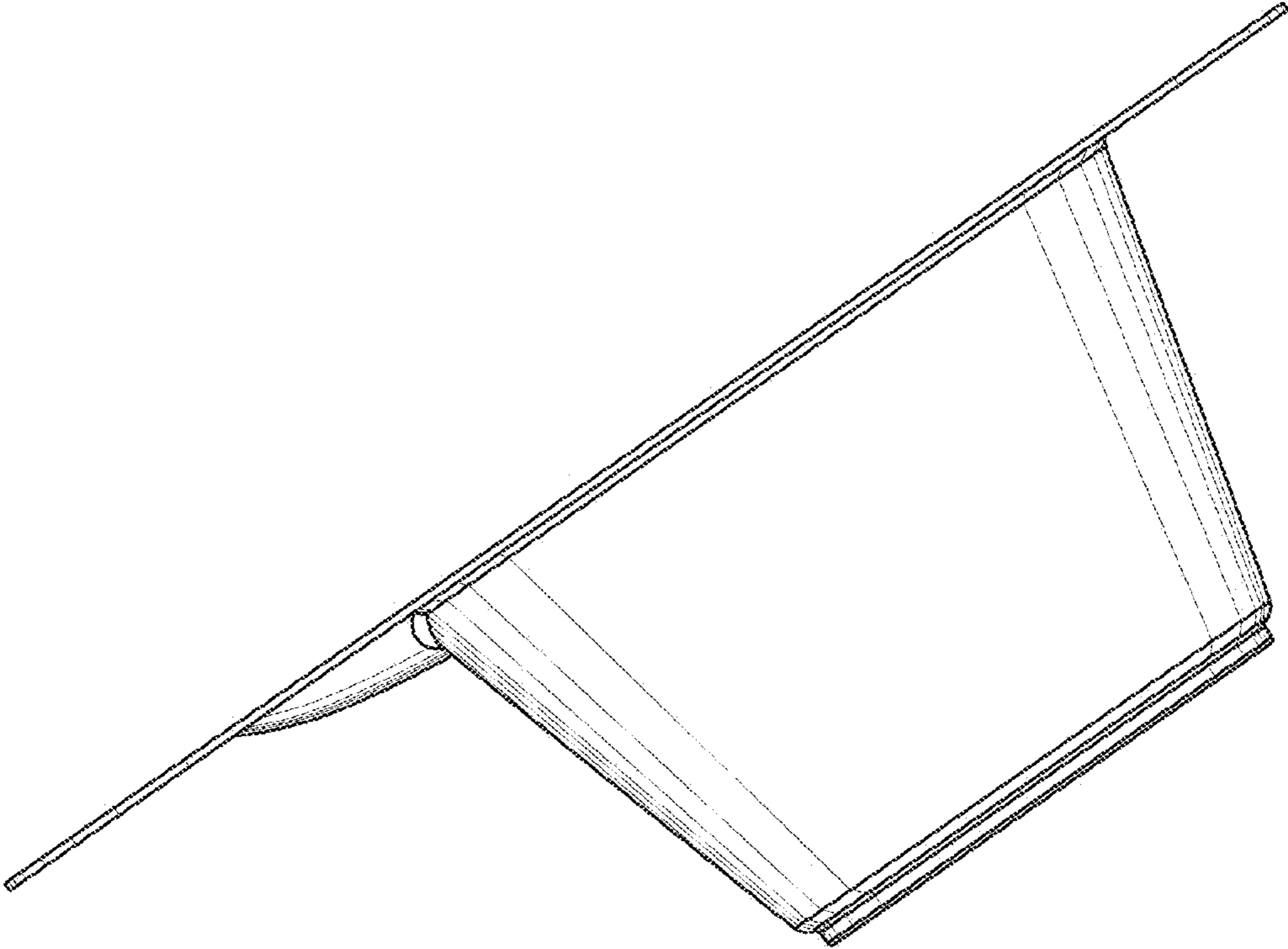


FIG. 9