



US00D737958S

(12) **United States Design Patent**
Pieroni et al.

(10) **Patent No.:** **US D737,958 S**
(45) **Date of Patent:** **** Sep. 1, 2015**

- (54) **DENTAL MATERIAL DISPENSER CARTRIDGE AND TIP**
- (71) Applicant: **DENTSPLY International Inc.**, York, PA (US)
- (72) Inventors: **Robert J. Pieroni**, Milford, DE (US);
Andrew J. Coste, Swarthmore, PA (US)
- (73) Assignee: **DENTSPLY International Inc.**, York, PA (US)
- (**) Term: **14 Years**
- (21) Appl. No.: **29/470,438**
- (22) Filed: **Oct. 22, 2013**

Related U.S. Application Data

- (63) Continuation of application No. 29/468,511, filed on Oct. 1, 2013.
- (51) **LOC (10) Cl.** **24-02**
- (52) **U.S. Cl.**
USPC **D24/112; D24/152**
- (58) **Field of Classification Search**
USPC D24/152, 176, 112, 127, 133; 433/80,
433/89-90, 141; 604/232
CPC A61C 5/062; A61C 5/064; A61C 5/066;
A61C 9/0026; A61C 19/004
See application file for complete search history.

(56) **References Cited**

U.S. PATENT DOCUMENTS

D224,655	S *	8/1972	Dragan	D24/112
4,255,140	A	3/1981	Marshall		
4,468,202	A	8/1984	Cohen		
4,531,914	A	7/1985	Spinello		
4,813,871	A *	3/1989	Friedman	433/90
D300,561	S *	4/1989	Asa et al.	D24/112
D324,267	S *	2/1992	Smitt	D24/112
5,324,273	A *	6/1994	Discko, Jr.	433/90

5,661,222	A	8/1997	Hare		
5,863,965	A	1/1999	Hare		
6,095,814	A *	8/2000	Petrich et al.	433/90
6,135,771	A *	10/2000	Dragan et al.	433/90
6,170,714	B1	1/2001	Lesage		
6,182,867	B1	2/2001	Keller		
D456,078	S *	4/2002	Peterson et al.	D24/152
D460,822	S *	7/2002	Dragan et al.	D24/152
6,510,970	B2 *	1/2003	McLean et al.	433/80
D504,948	S *	5/2005	Dragan et al.	D24/152
7,195,483	B2	3/2007	Dragan		
8,016,161	B2	9/2011	Pierson et al.		
8,616,879	B2 *	12/2013	Dubey et al.	433/80
2007/0015106	A1 *	1/2007	Bertl et al.	433/80
2007/0184410	A1	8/2007	Boghosian		
2007/0264315	A1	11/2007	Fournie et al.		
2008/0041879	A1	2/2008	Pierson et al.		
2008/0220050	A1	9/2008	Chen et al.		
2010/0248190	A1	9/2010	Chen et al.		

(Continued)

Primary Examiner — Wan Laymon

(74) *Attorney, Agent, or Firm* — Leana Levin; Douglas J. Hura; David A. Zdurme

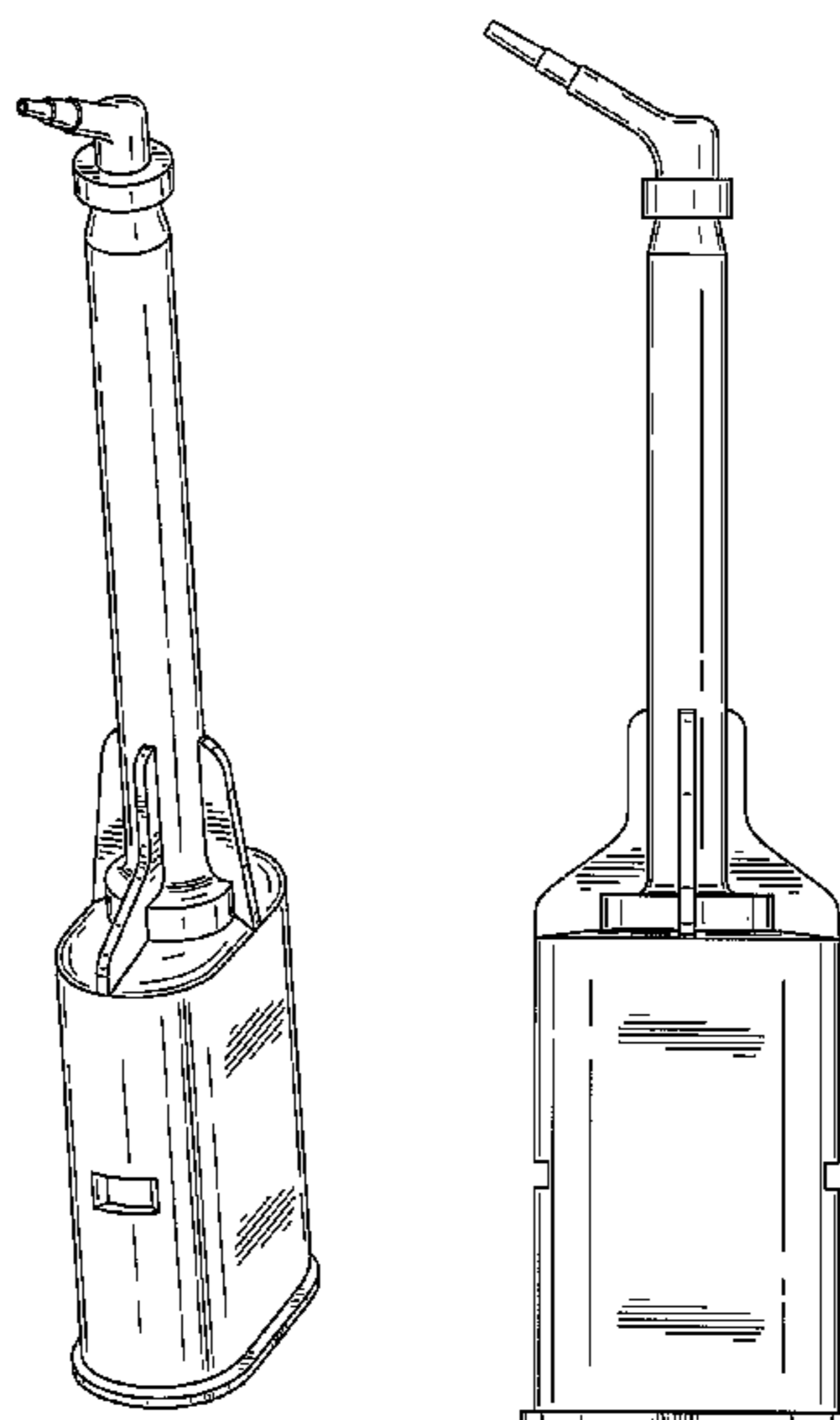
(57) **CLAIM**

The ornamental design for a dental material dispenser cartridge and tip, as shown and described.

DESCRIPTION

FIG. 1 is an isometric view of a dental material dispenser cartridge and tip showing our new design;
 FIG. 2 is a first side view thereof;
 FIG. 3 is a second side view thereof;
 FIG. 4 is a rear view thereof;
 FIG. 5 is a front view thereof;
 FIG. 6 is a top view thereof; and,
 FIG. 7 is a bottom view thereof.
 The broken lines shown in the figures are included for the purpose of illustrating portions of the dental material dispenser cartridge and tip and form no part of the claimed design.

1 Claim, 5 Drawing Sheets



US D737,958 S

Page 2

(56)

References Cited

U.S. PATENT DOCUMENTS

2010/0285485 A1 11/2010 Jung et al.

2011/0151403 A1 6/2011 Pauser et al.

2011/0223556 A1 9/2011 Abel

2013/0260335 A1* 10/2013 Peuker et al. 433/90

* cited by examiner

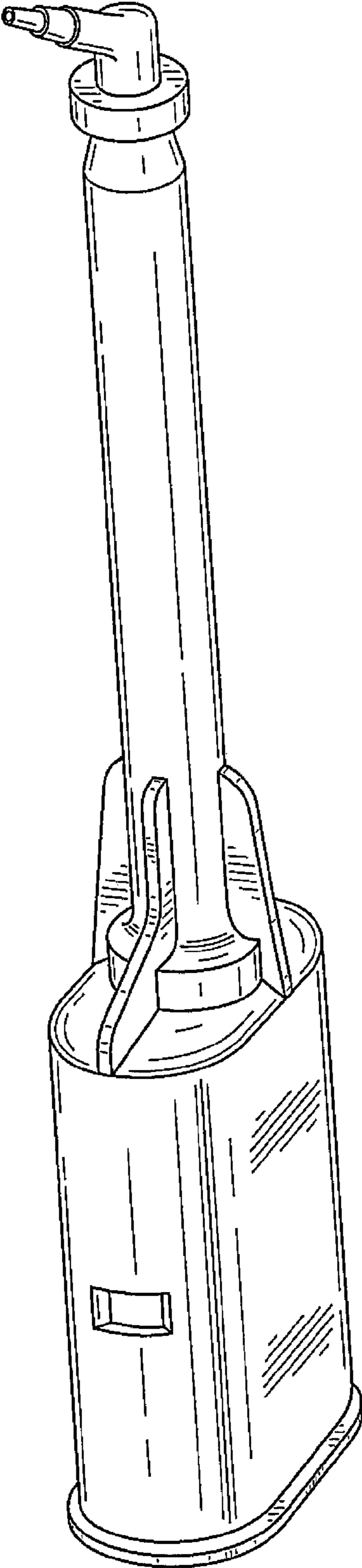


FIG. 1

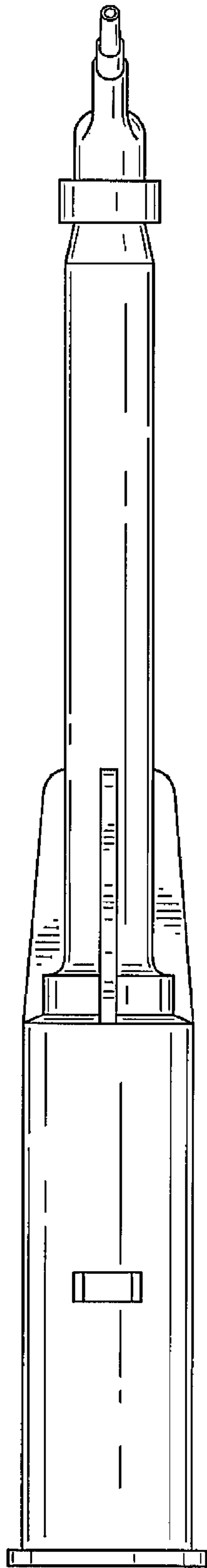


FIG. 2

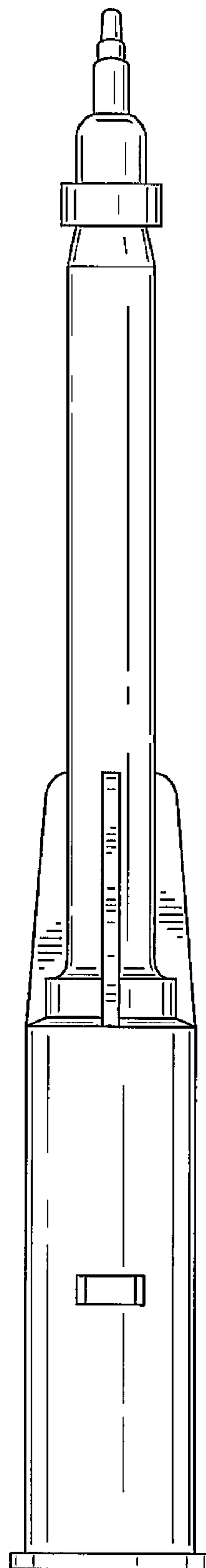


FIG. 3

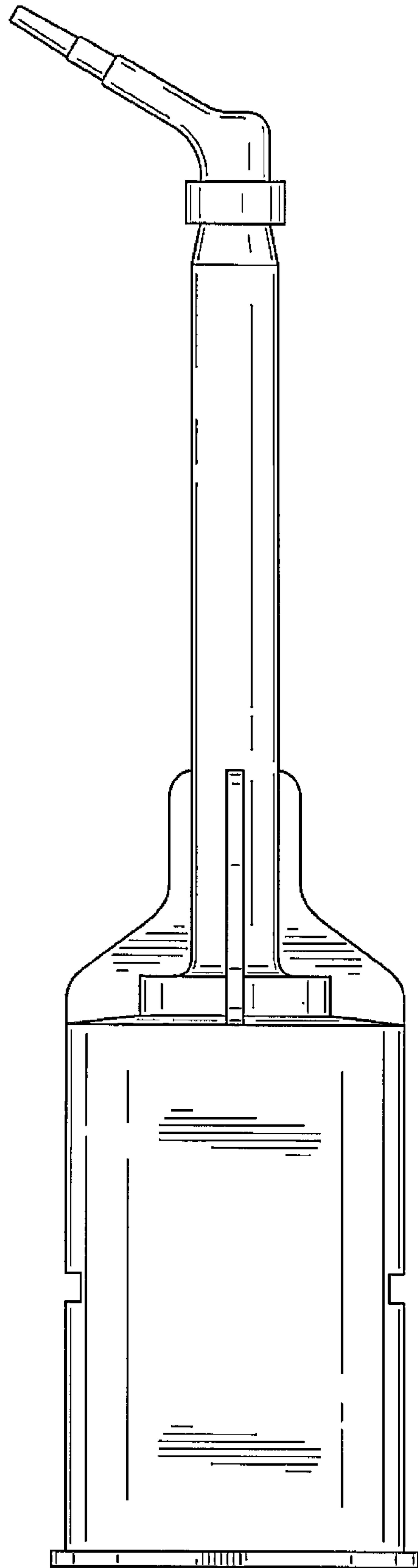


FIG. 4

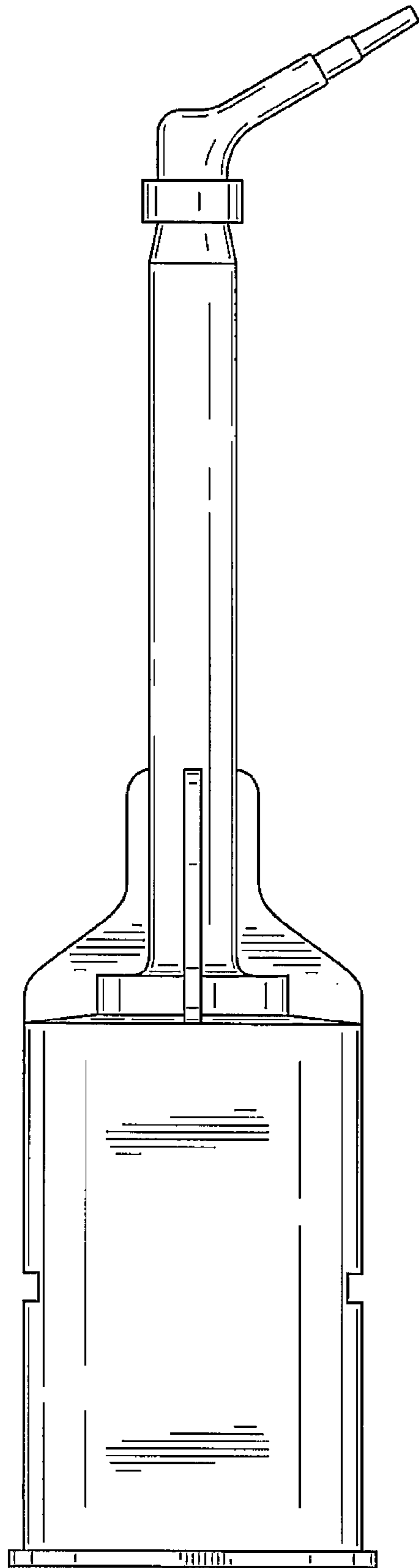


FIG. 5

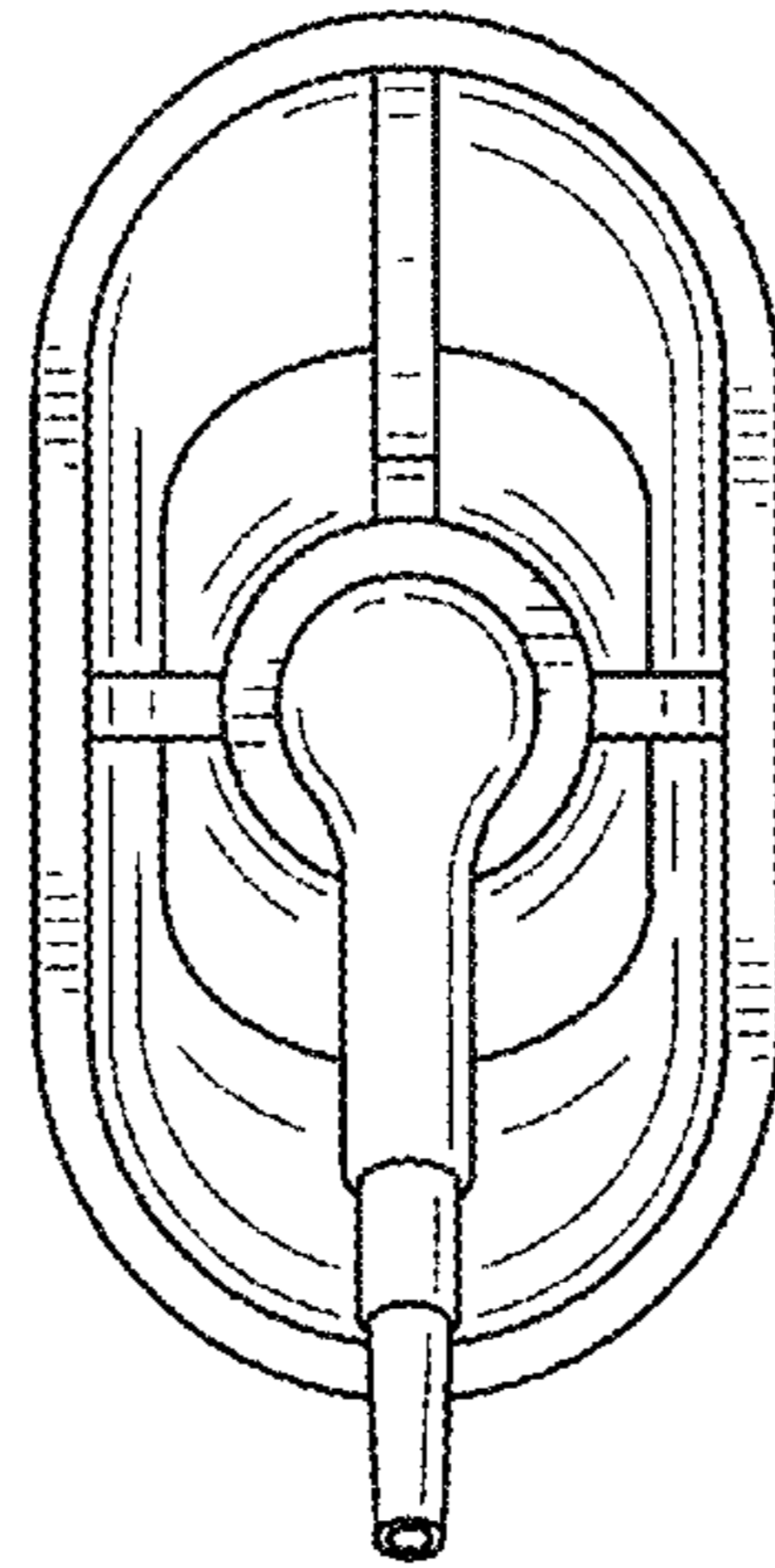


FIG. 6

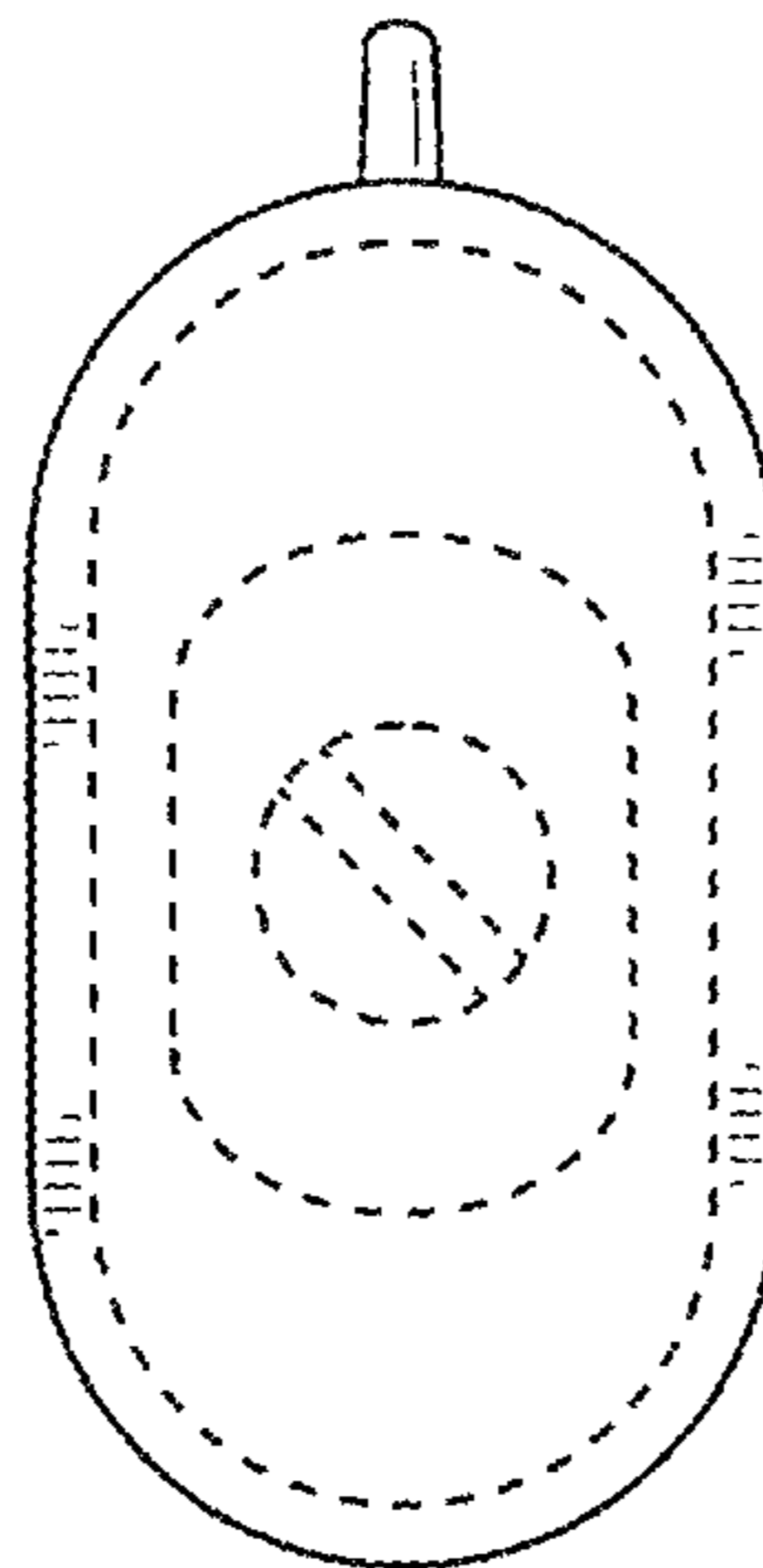


FIG. 7