

US00D737957S

(12) **United States Design Patent**  
**Wargner et al.**

(10) **Patent No.:** **US D737,957 S**  
(45) **Date of Patent:** **\*\* Sep. 1, 2015**

- (54) **INTRAOCULAR LENS HOLDER**
- (71) Applicant: **Santen Pharmaceutical Co., Ltd.**,  
Osaka-shi, Osaka (JP)
- (72) Inventors: **Christian Winfried Wargner**, Osaka  
(JP); **Yoshitaka Yamada**, Osaka (JP);  
**Katsuyuki Ueno**, Osaka (JP)
- (73) Assignee: **Santen Pharmaceutical Co., Ltd.**,  
Osaka-shi, Osaka (JP)
- (\*\*) Term: **14 Years**
- (21) Appl. No.: **29/442,739**
- (22) Filed: **Apr. 29, 2013**
- (30) **Foreign Application Priority Data**  
  
Oct. 30, 2012 (JP) ..... 2012-026403
- (51) **LOC (10) Cl.** ..... **24-02**
- (52) **U.S. Cl.**  
USPC ..... **D24/112**
- (58) **Field of Classification Search**  
USPC ..... D24/110.6, 112-118, 120, 121, 127,  
D24/130, 131; 600/5, 356; 623/6.12;  
606/107, 6.38  
See application file for complete search history.

- (56) **References Cited**  
**U.S. PATENT DOCUMENTS**  
  
5,873,879 A \* 2/1999 Figueroa et al. .... 606/107  
6,312,433 B1 \* 11/2001 Butts et al. .... 606/107  
6,371,960 B2 \* 4/2002 Heyman et al. .... 606/107  
6,923,815 B2 \* 8/2005 Brady et al. .... 606/107  
8,273,122 B2 \* 9/2012 Anderson ..... 623/6.12  
D681,808 S \* 5/2013 Holaschke et al. .... D24/114  
8,435,289 B2 \* 5/2013 Cole et al. .... 623/6.12

|              |      |         |                        |          |
|--------------|------|---------|------------------------|----------|
| 2003/0139809 | A1 * | 7/2003  | Worst et al. ....      | 623/6.12 |
| 2003/0181921 | A1 * | 9/2003  | Jeannin et al. ....    | 606/107  |
| 2004/0199173 | A1 * | 10/2004 | Meyer ..... ..         | 606/107  |
| 2004/0243141 | A1 * | 12/2004 | Brown et al. ....      | 606/107  |
| 2007/0050023 | A1 * | 3/2007  | Bessiere et al. ....   | 623/6.12 |
| 2007/0150054 | A1 * | 6/2007  | Pynson ..... ..        | 623/6.12 |
| 2012/0022547 | A1 * | 1/2012  | Hildebrand et al. .... | 606/107  |
| 2012/0221102 | A1 * | 8/2012  | Tanaka et al. ....     | 623/6.12 |
| 2014/0200588 | A1 * | 7/2014  | Anderson et al. ....   | 606/107  |
| 2014/0257317 | A1 * | 9/2014  | Safabash ..... ..      | 606/107  |

\* cited by examiner

*Primary Examiner* — Garth Rademaker

*Assistant Examiner* — Samantha Q Lawrence

(74) *Attorney, Agent, or Firm* — Squire Patton Boggs (US) LLP

(57) **CLAIM**

The ornamental design for an intraocular lens holder, as shown and described.

**DESCRIPTION**

FIG. 1 is a front view of an intraocular lens holder showing our new design;  
 FIG. 2 is a rear view thereof;  
 FIG. 3 is a left side view thereof;  
 FIG. 4 is a right side view thereof;  
 FIG. 5 is a top plan view thereof;  
 FIG. 6 is a bottom view thereof;  
 FIG. 7 is a top perspective view thereof;  
 FIG. 8 is a bottom perspective view thereof; and,  
 FIG. 9 is a perspective view showing the intraocular lens holder in an opened state.

The dot-dot broken lines are directed to portions of the intraocular lens holder that form no part of the claimed design. The dash-dot broken lines represent bounds of the claimed design and do not themselves form a part of the claimed design.

**1 Claim, 9 Drawing Sheets**

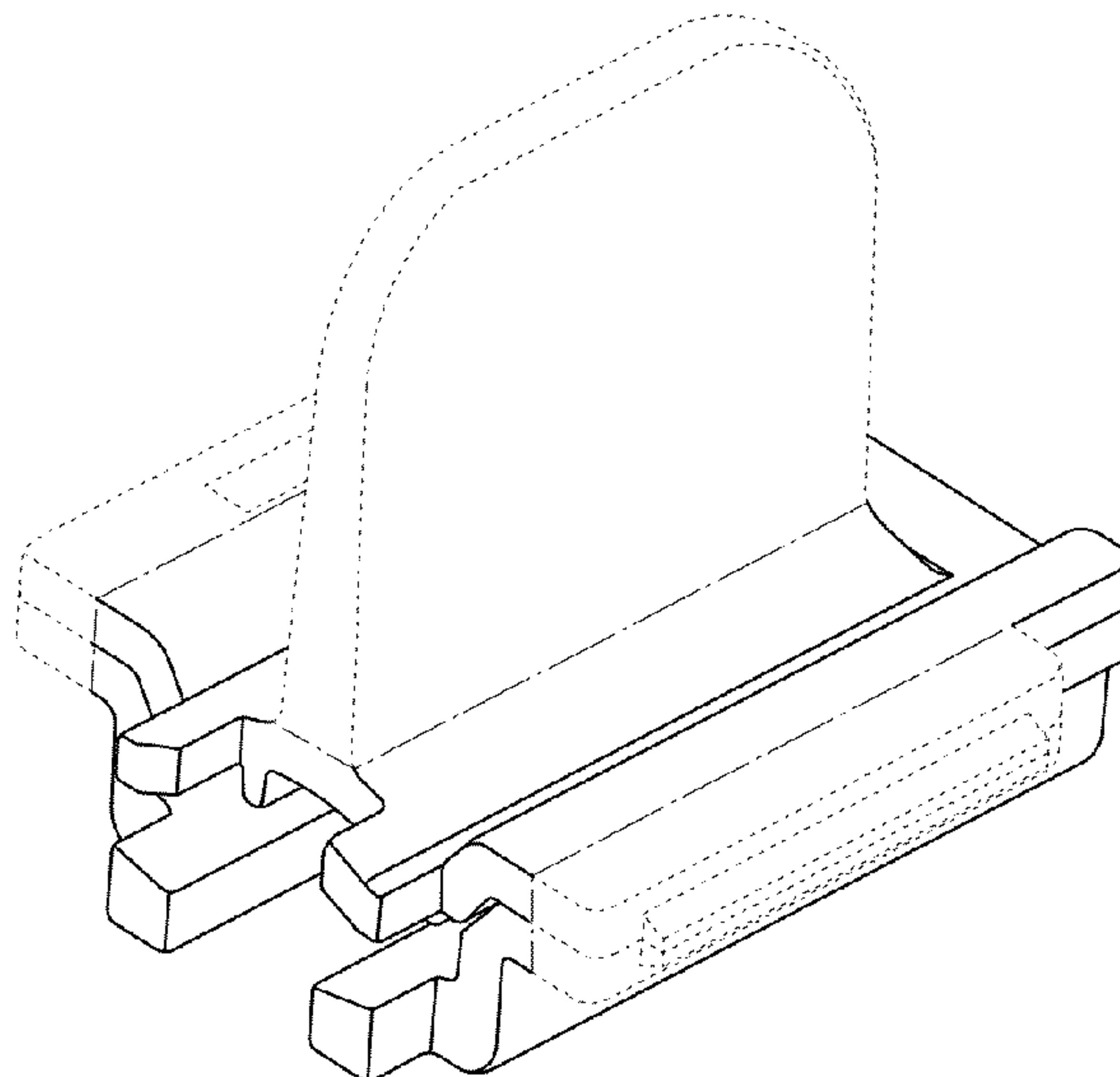


Fig. 1

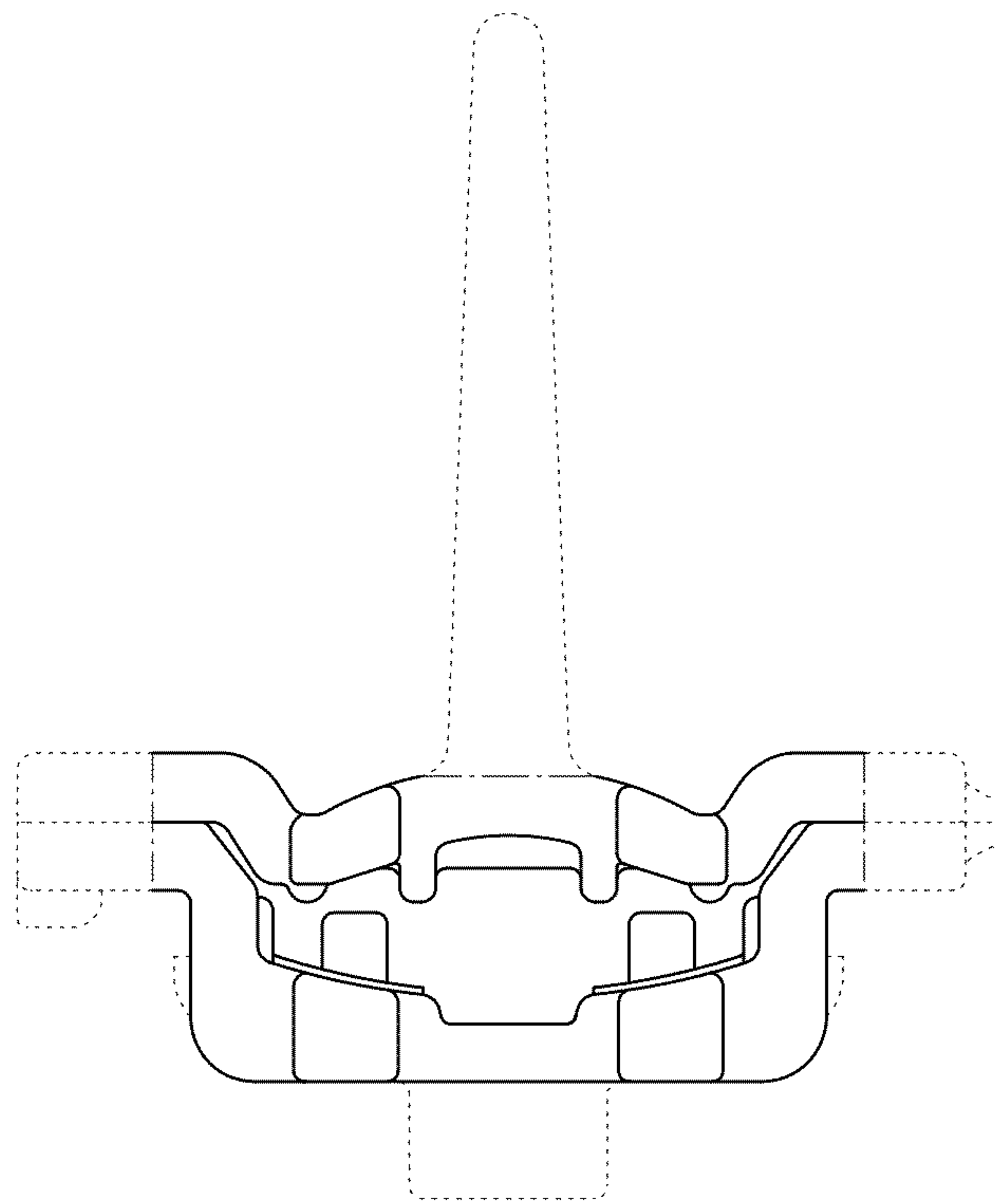


Fig. 2

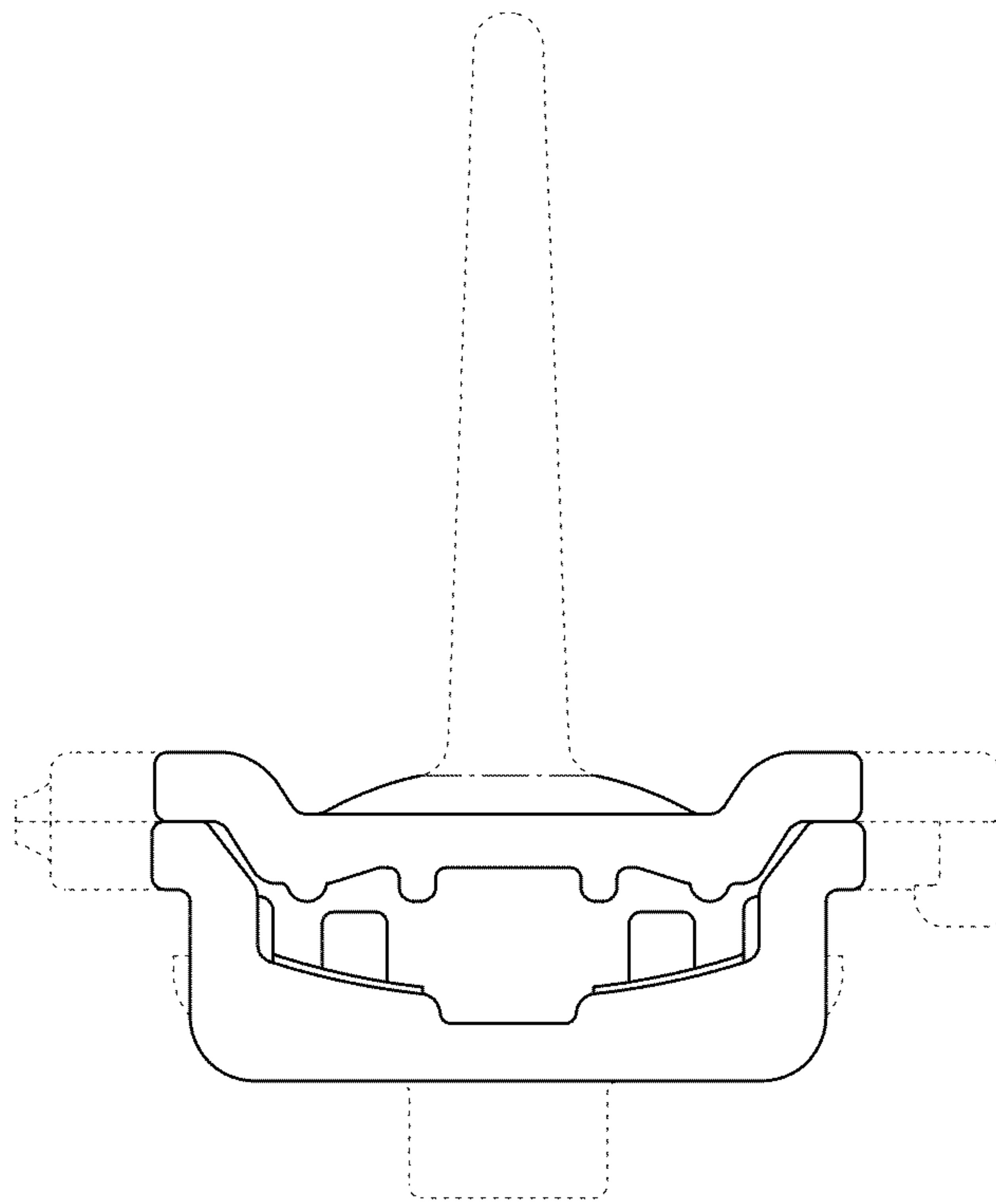


Fig. 3

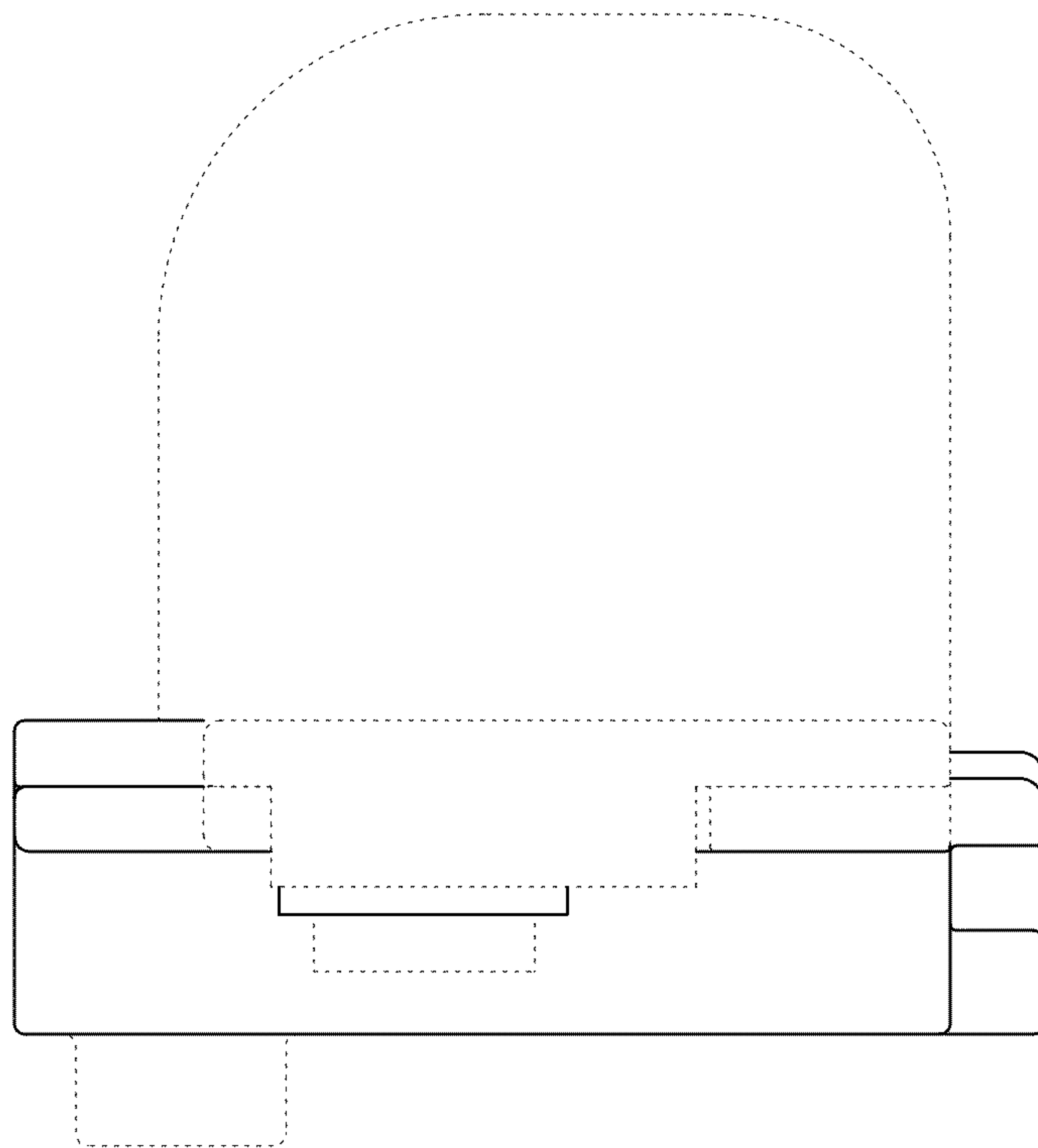


Fig. 4

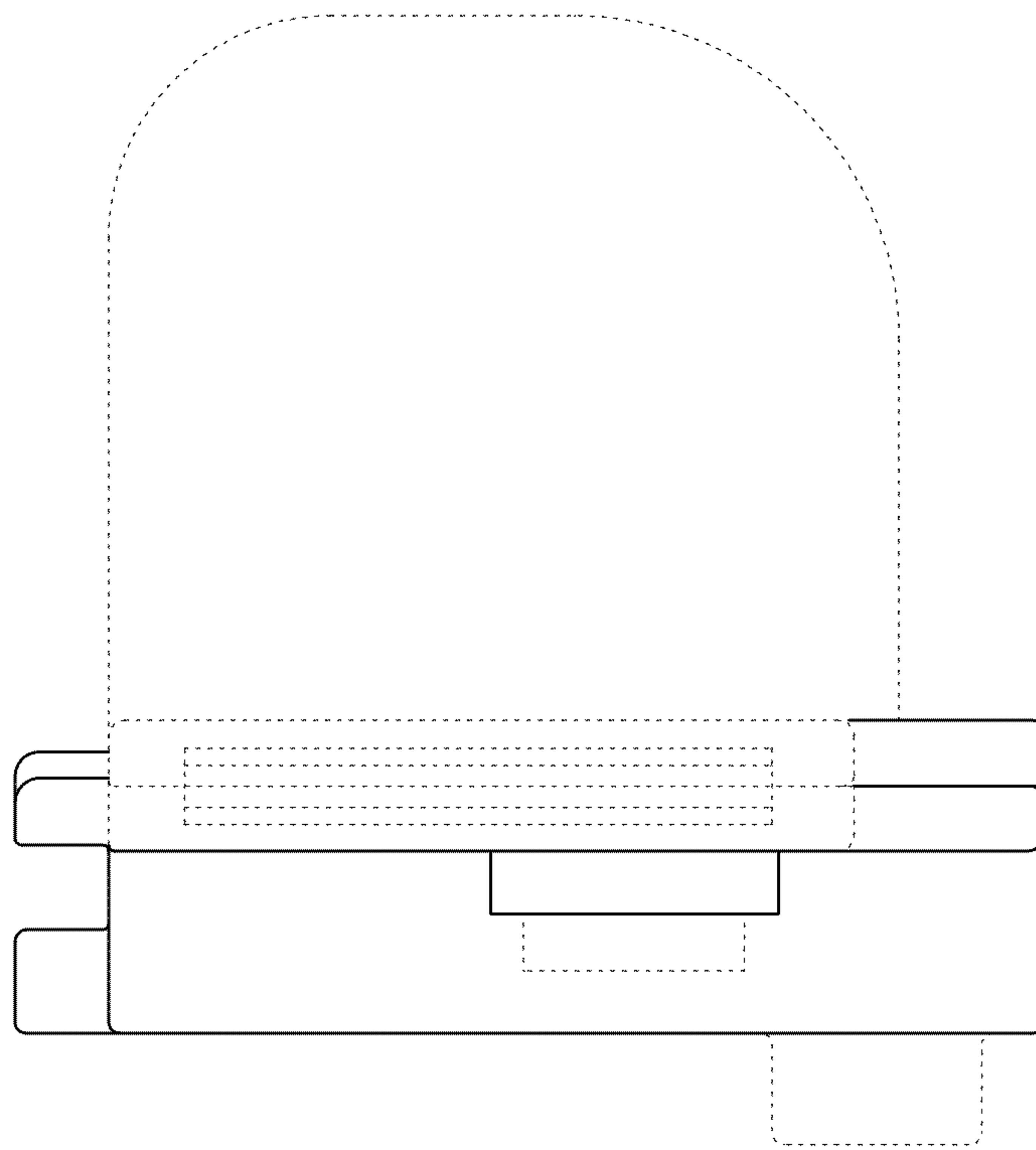


Fig. 5

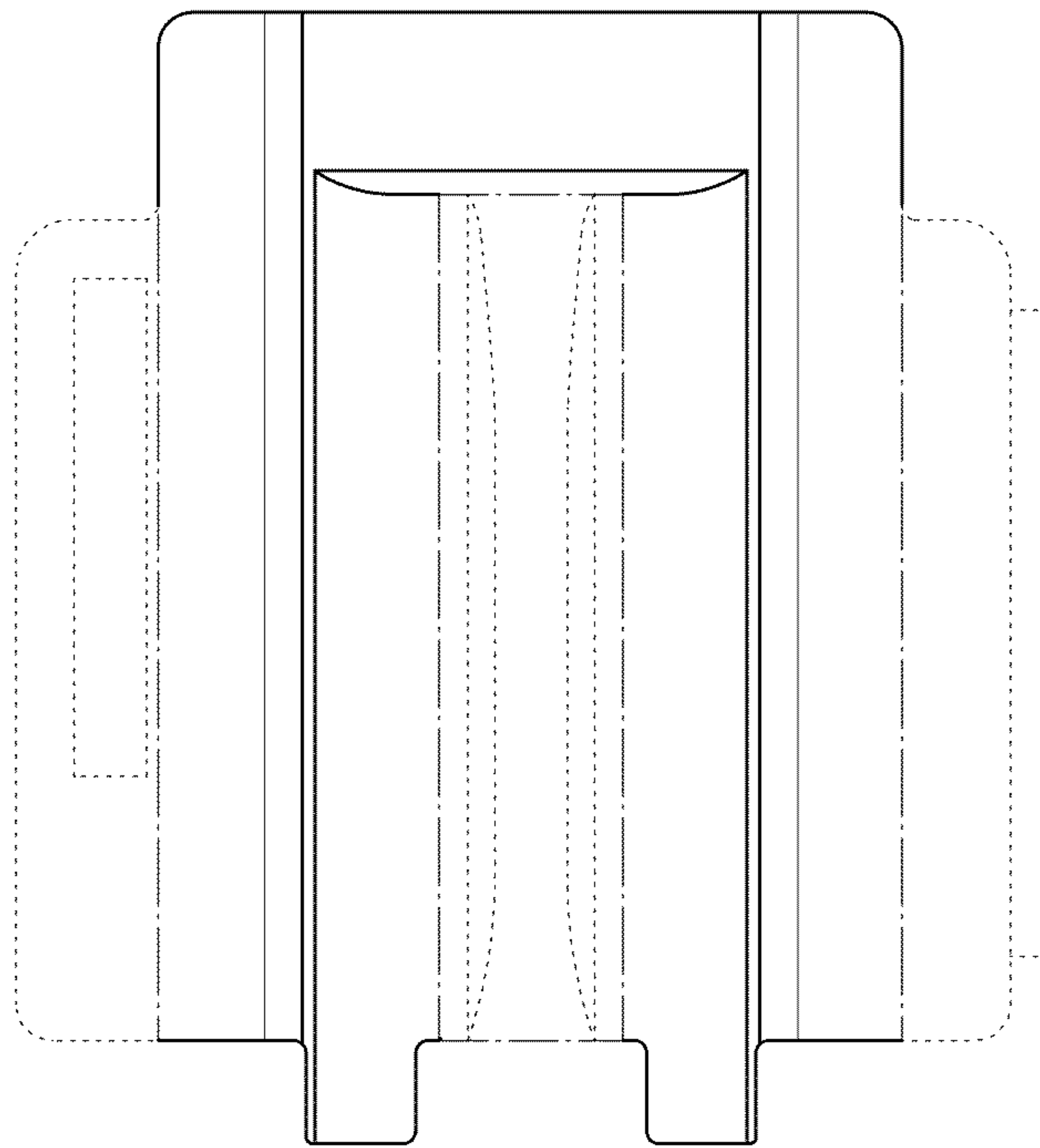


Fig. 6

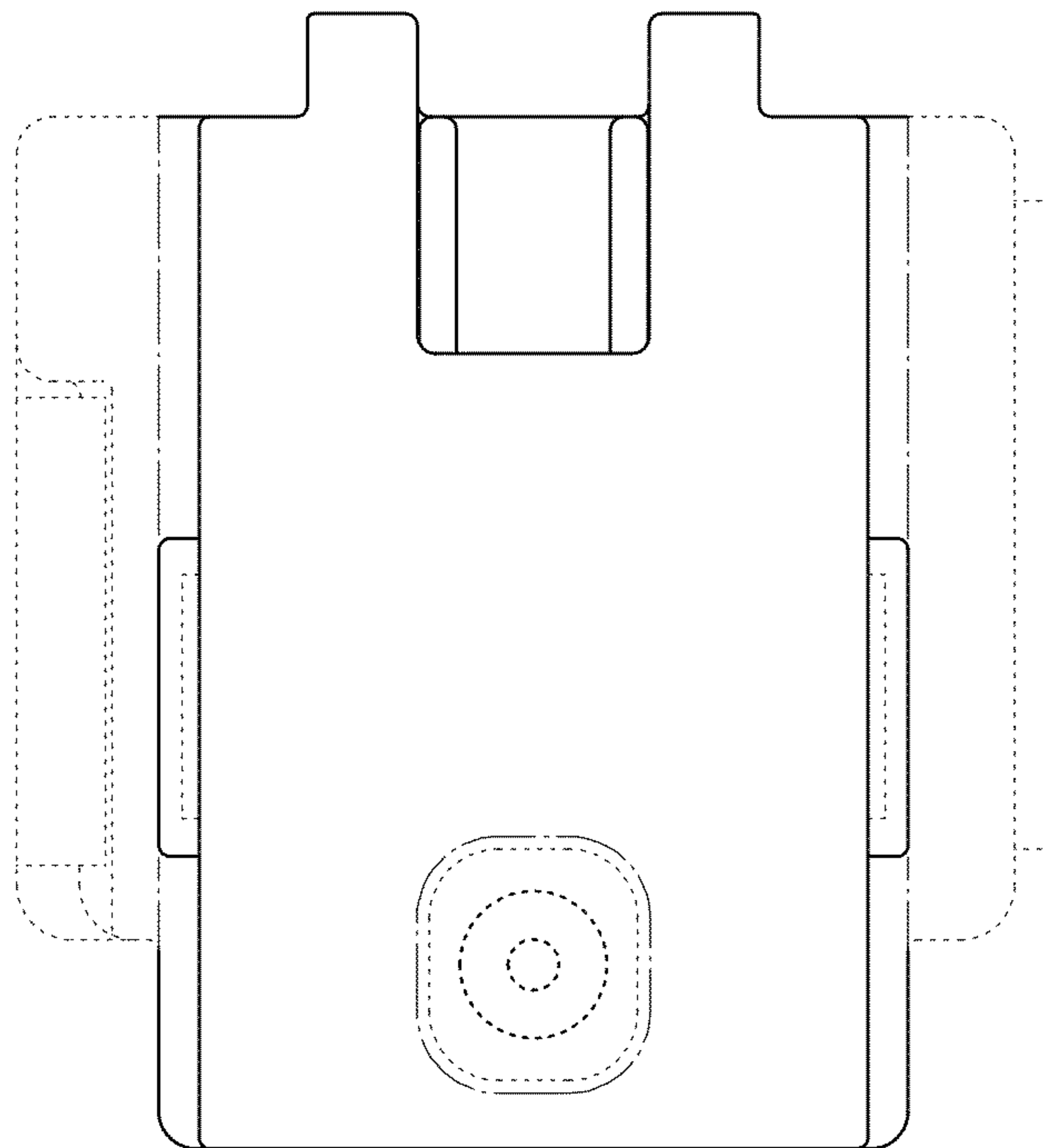


Fig. 7

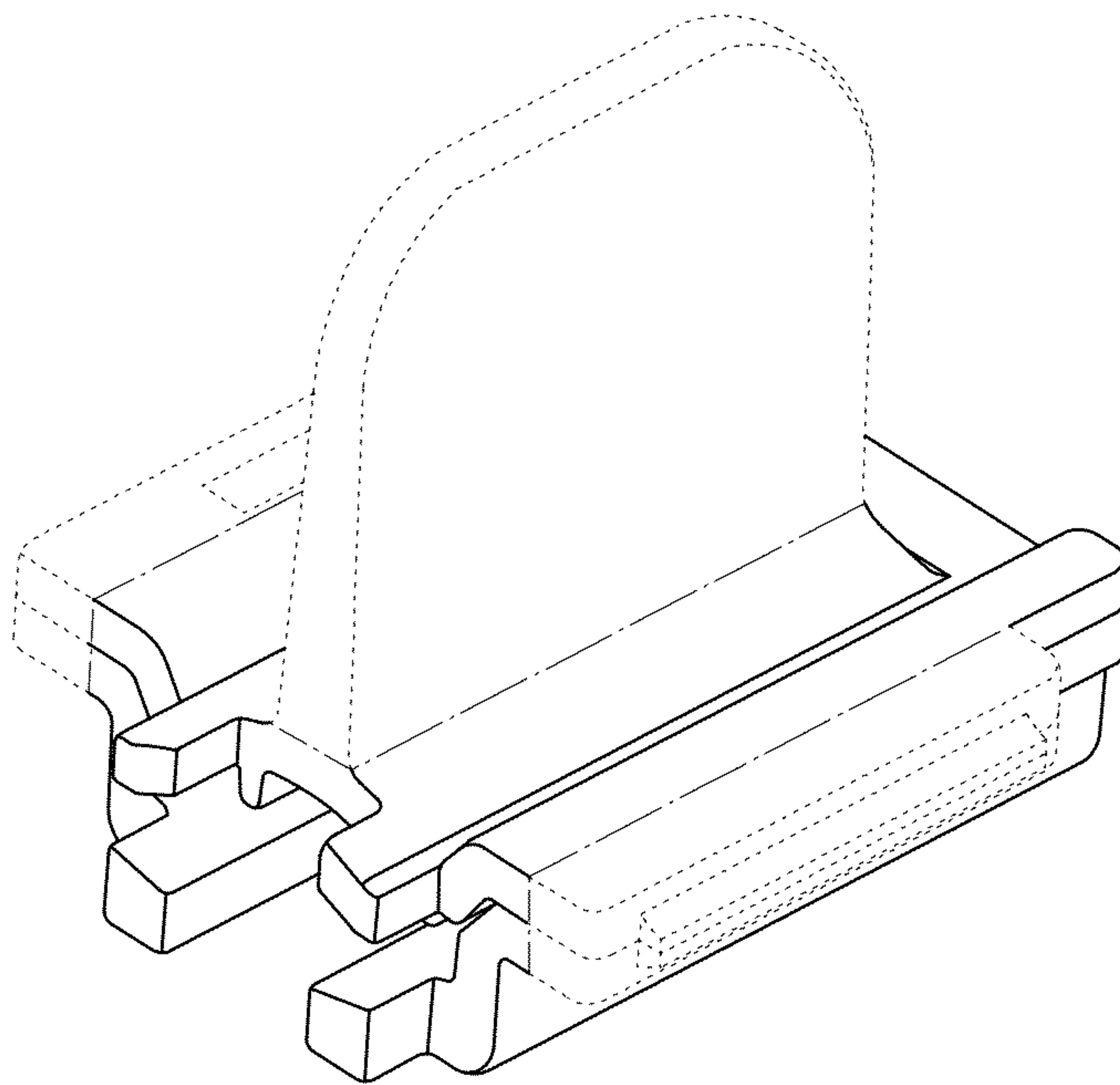




Fig. 8

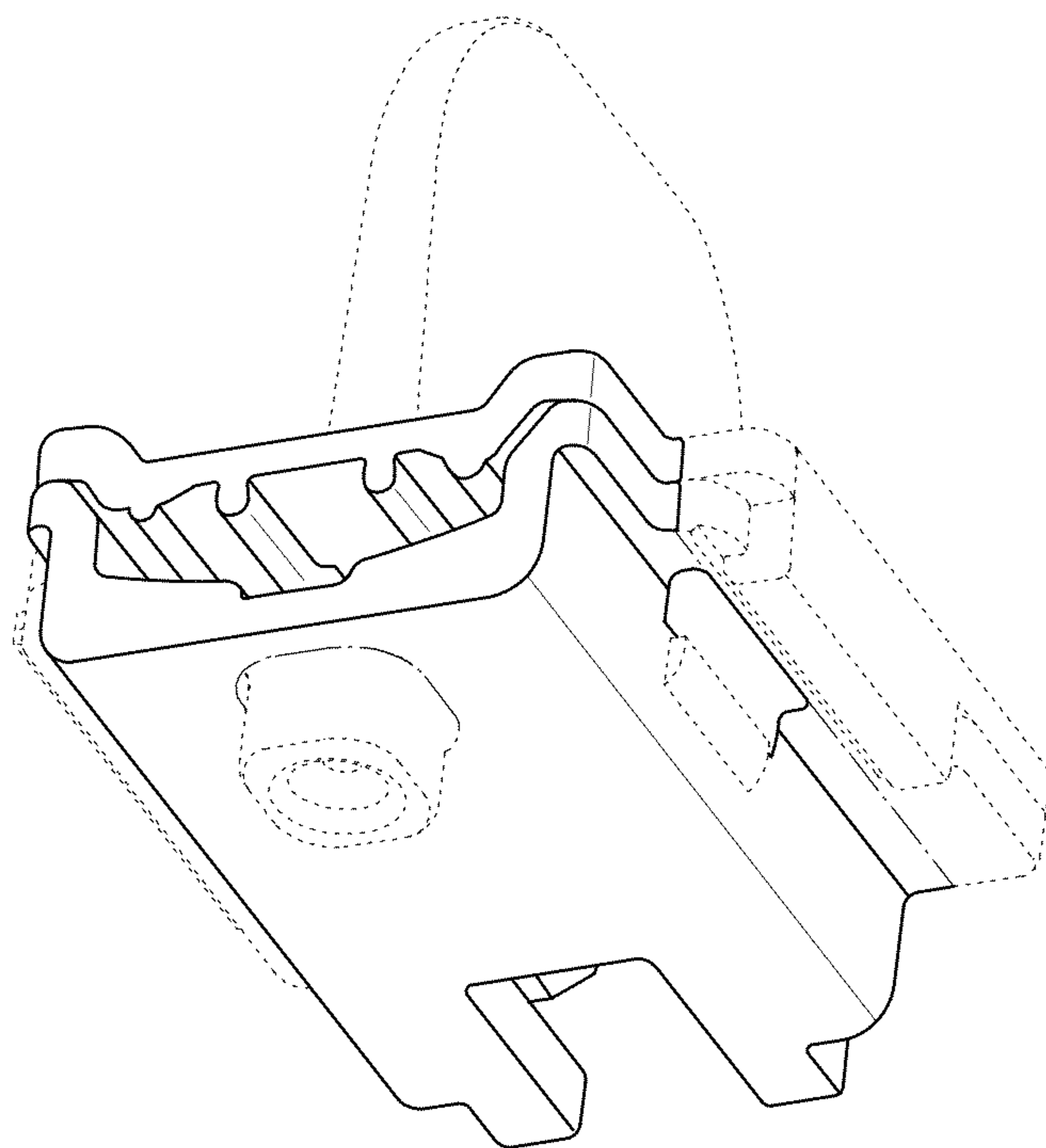


Fig. 9

