



US00D737956S

(12) **United States Design Patent**
Marshall

(10) **Patent No.:** **US D737,956 S**

(45) **Date of Patent:** **** Sep. 1, 2015**

(54) **ENTERAL FEEDING PUMP**

(71) Applicant: **Zevex, Inc.**, Salt Lake City, UT (US)

(72) Inventor: **Michael Marshall**, Herriman, UT (US)

(73) Assignee: **ZEVEX, INC.**, Salt Lake City, UT (US)

(**) Term: **14 Years**

(21) Appl. No.: **29/483,182**

(22) Filed: **Feb. 26, 2014**

(51) **LOC (10) Cl.** **24-02**

(52) **U.S. Cl.**
USPC **D24/111**

(58) **Field of Classification Search**
USPC D24/107, 111, 127, 185, 186, 232
CPC A61M 2205/702; A61M 2202/0482;
A61M 5/14232; A61M 5/142

See application file for complete search history.

(56) **References Cited**

U.S. PATENT DOCUMENTS

D380,260 S *	6/1997	Hyman	D24/111
D408,911 S	4/1999	Moubayed et al.		
D475,454 S *	6/2003	Gillespie et al.	D24/111
7,537,579 B2 *	5/2009	Price	604/65
7,927,304 B2 *	4/2011	Hudson et al.	604/131
D669,165 S *	10/2012	Estes et al.	D24/111
8,277,196 B2 *	10/2012	Lewis et al.	417/1
8,343,111 B2 *	1/2013	Beck et al.	604/250
8,377,000 B2 *	2/2013	Pfouts	604/151
8,377,001 B2 *	2/2013	Pfouts et al.	604/151
D677,784 S *	3/2013	Marguerie	D24/111

8,425,470 B2 *	4/2013	Beck et al.	604/250
8,911,414 B2 *	12/2014	Beck	604/246
9,004,886 B2 *	4/2015	Beck et al.	417/476

OTHER PUBLICATIONS

Automatically Self Check Compact Enteral Feeding Pump with Bolus Rate 400ml / h. Epower Electronic & Science Co., Ltd. www.medicalsyringepump.com. <http://www.medicalsyringepump.com/sale-3643853-automatically-self-check-compact-enteral-feeding-pump-with-bolus-rate-400ml-h.html>[May 23, 2015 11:28:38 AM].*

Zevex Incorporated, "EnteraLite Ambulatory Enteral Feeding Pump—Operator's Manual," 2003, U.S.A.

Zevex Incorporated, "Infinity Orange Small Volume Enteral Feeding Pump—Operator's Manual," 2008, U.S.A.

* cited by examiner

Primary Examiner — Deanna L Pratt

Assistant Examiner — Lilyana Bekic

(74) *Attorney, Agent, or Firm* — Hodgson Russ LLP

(57) **CLAIM**

The ornamental design for an enteral feeding pump, as shown and described.

DESCRIPTION

FIG. 1 is a perspective view of an enteral feeding pump showing my new design;

FIG. 2 is a front view thereof;

FIG. 3 is a rear view thereof;

FIG. 4 is a right side view thereof;

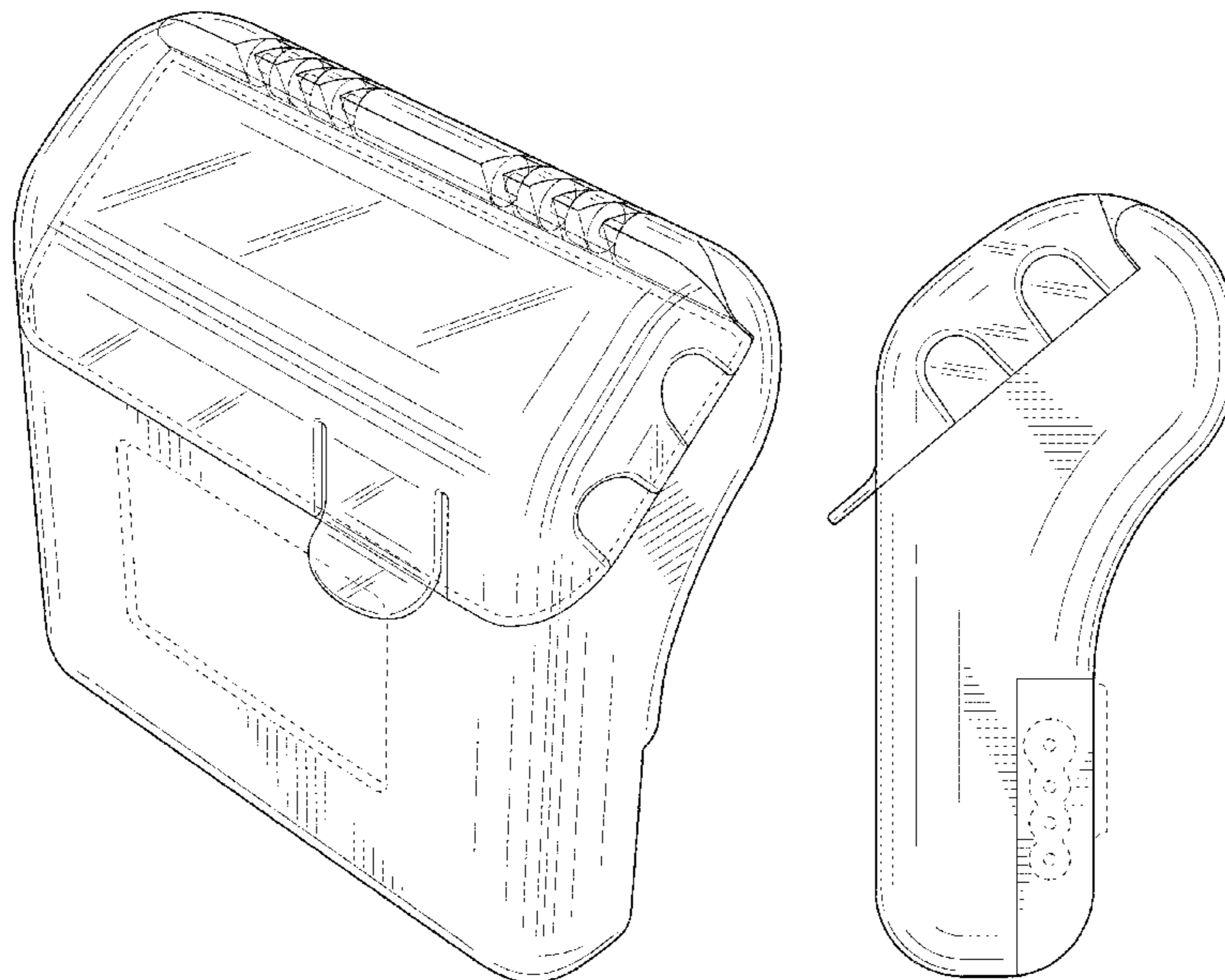
FIG. 5 is a left side view thereof;

FIG. 6 is a top view thereof; and,

FIG. 7 is a bottom view thereof.

The broken lines in the drawings illustrate portions of the enteral feeding pump which form no part of the claimed design.

1 Claim, 5 Drawing Sheets



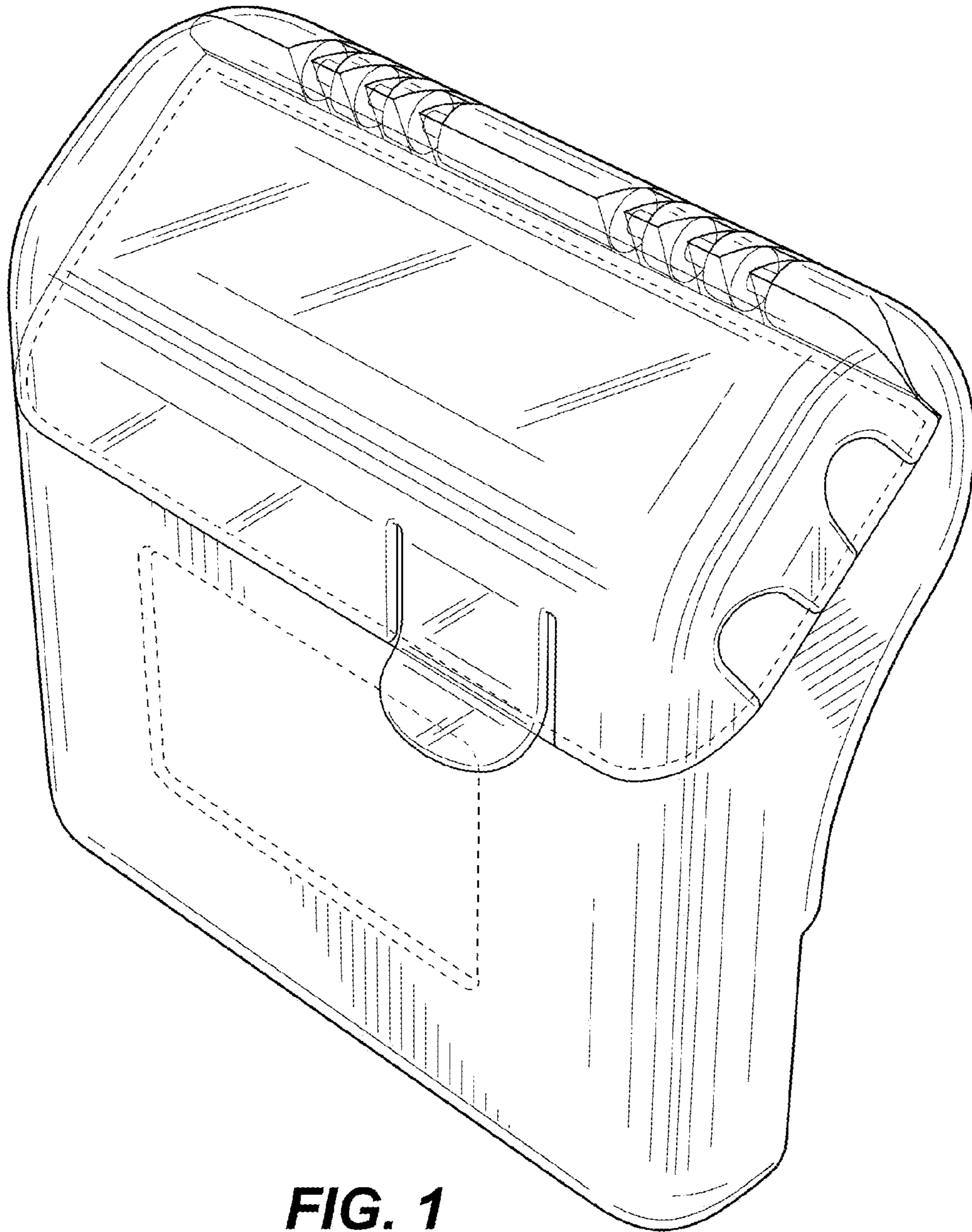


FIG. 1

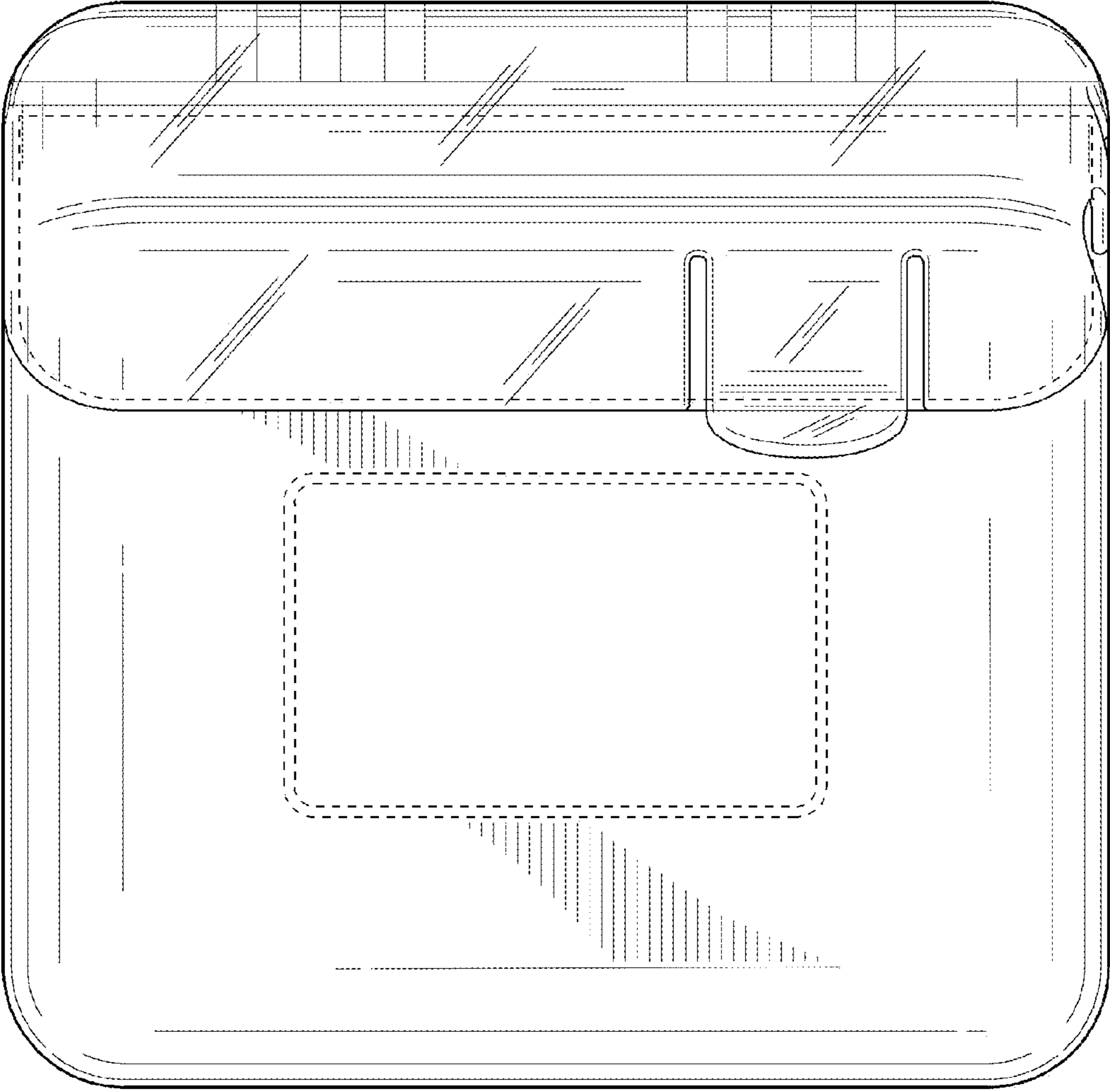


FIG. 2

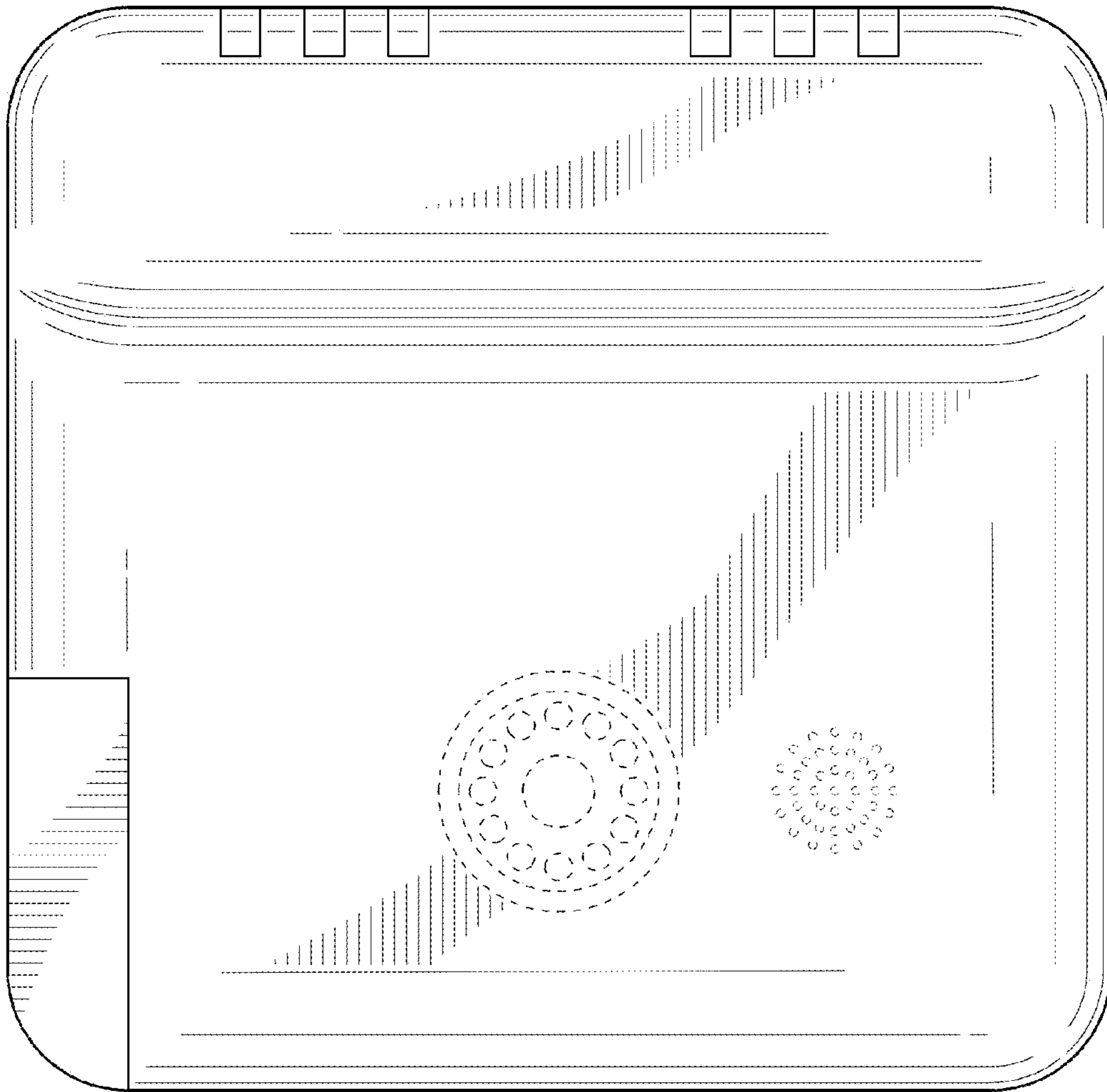


FIG. 3

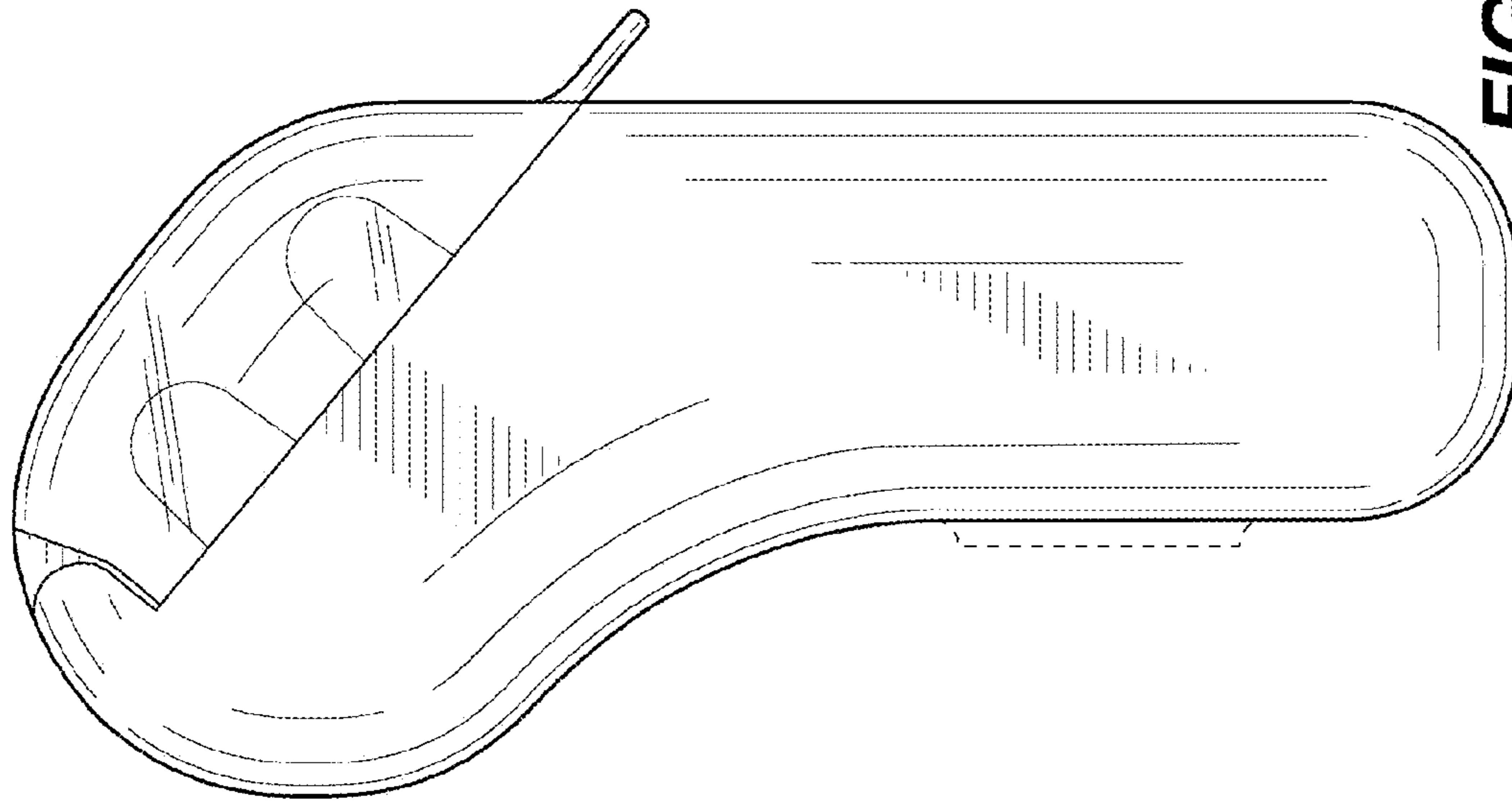


FIG. 5

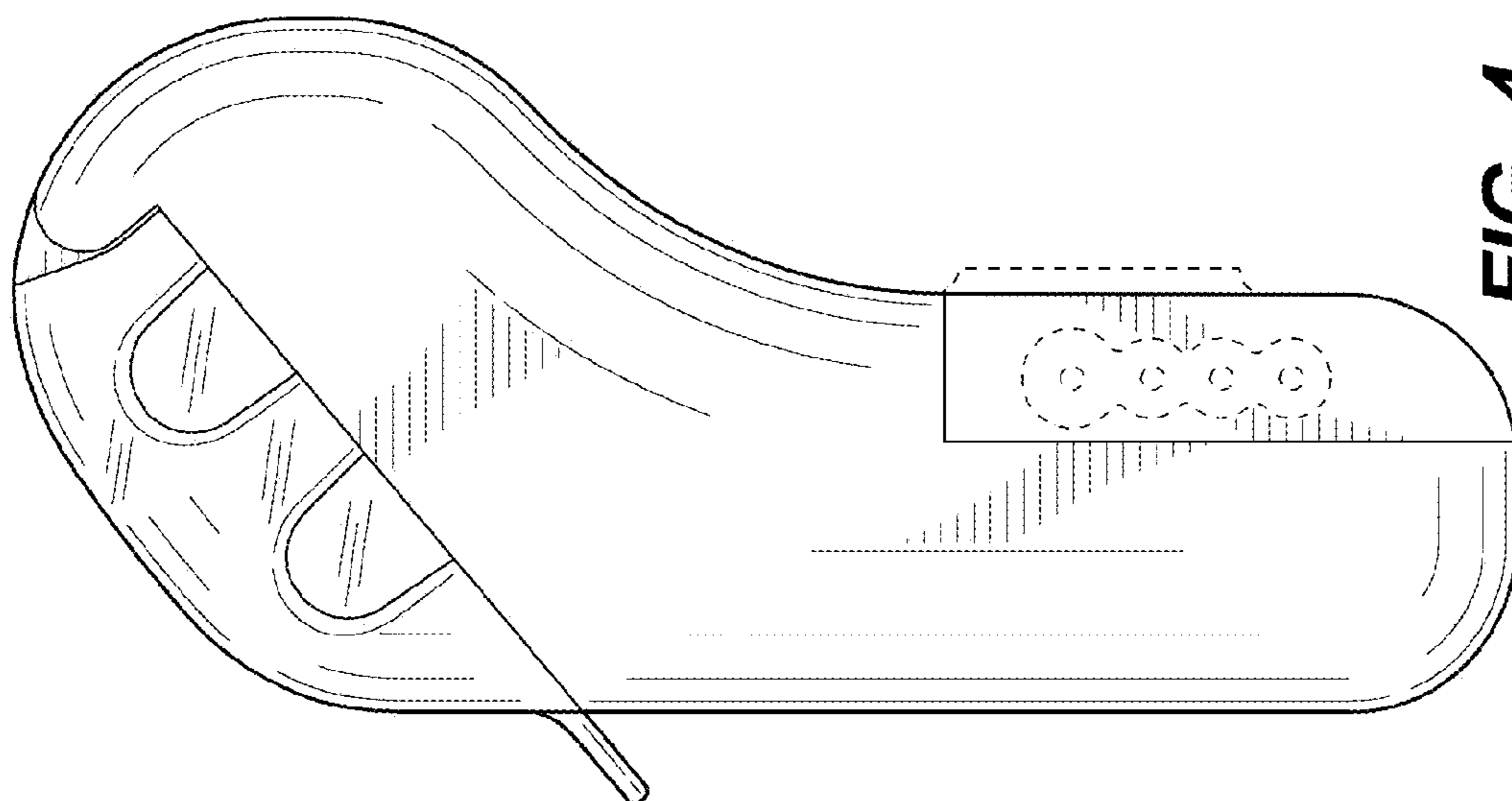


FIG. 4

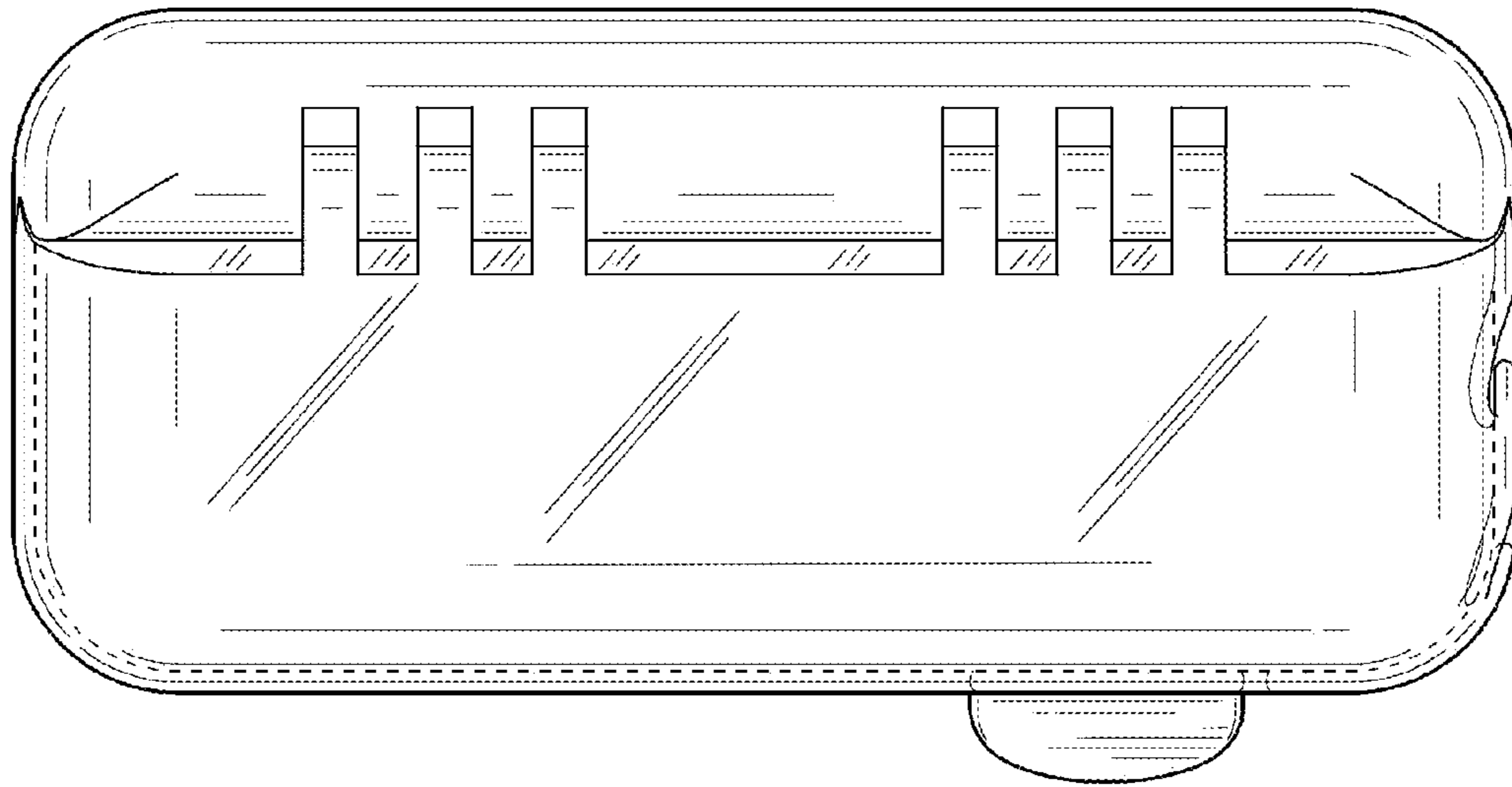


FIG. 6

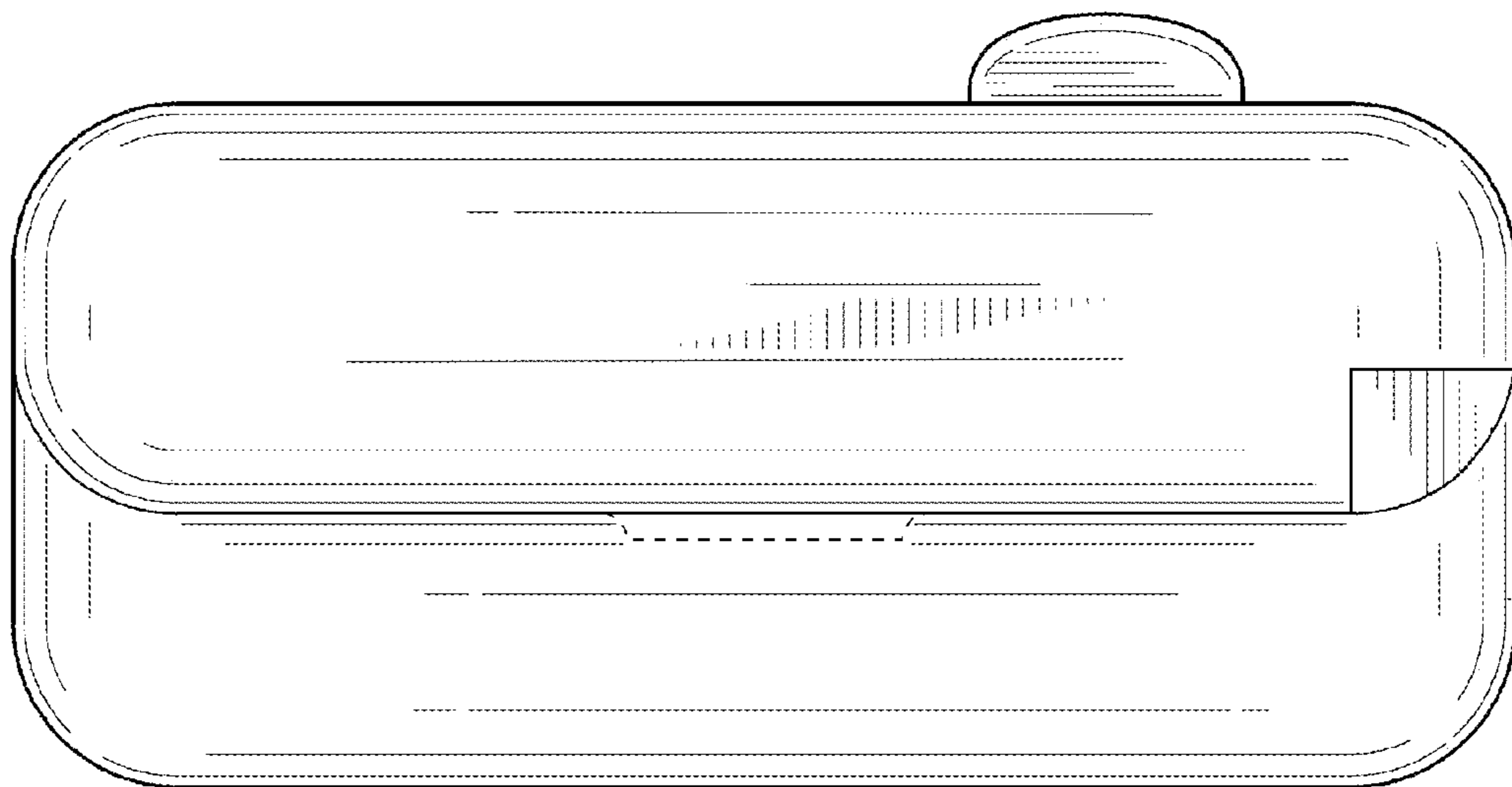


FIG. 7