



US00D737955S

(12) **United States Design Patent**
Lavoie

(10) **Patent No.:** **US D737,955 S**
(45) **Date of Patent:** **** Sep. 1, 2015**

(54) **GAS MASK WITH THERMAL SENSOR**

D304,384 S * 10/1989 Derobert D24/110.2
5,089,914 A * 2/1992 Prescott 359/815
5,200,827 A 4/1993 Hanson et al.

(71) Applicant: **BAE Systems Information And Electronic Systems Integration Inc.**,
Nashua, NH (US)

(Continued)

(72) Inventor: **Barry Lavoie**, Lowell, MA (US)

FOREIGN PATENT DOCUMENTS

(73) Assignee: **BAE Systems Information and Electronic Systems Integration Inc.**,
Nashua, NH (US)

JP 2011145578 1/2010

(**) Term: **14 Years**

OTHER PUBLICATIONS

(21) Appl. No.: **29/482,423**

Survivair SCBA: Business & Industrial | eBay. (n.d.). Electronics, Cars, Fashion, Collectibles, Coupons and More Online Shopping | eBay. Retrieved Oct. 14, 2013, from <http://www.ebay.com/bhp/survivair-scba>.

(22) Filed: **Feb. 18, 2014**

(Continued)

Related U.S. Application Data

(63) Continuation-in-part of application No. 13/833,172, filed on Mar. 15, 2013.

Primary Examiner — Deanna L Pratt

Assistant Examiner — Lilyana Bekic

(74) *Attorney, Agent, or Firm* — Sand & Sebolt

(51) **LOC (10) Cl.** **29-02**

(57) **CLAIM**

The ornamental design for gas mask with thermal sensor, as shown and described.

(52) **U.S. Cl.**

USPC **D24/110.2**

DESCRIPTION

(58) **Field of Classification Search**

USPC D24/110.1–110.4; D29/103, 110;
128/206.12, 206.23, 206.24, 206.28,
128/205.27, 201.17, 201.22

CPC A62B 18/02; A62B 18/04; A62B 18/082;
A62B 17/006; A62B 23/02; A62B 7/12;
A62B 9/006; A62B 18/08; A62B 18/10

See application file for complete search history.

FIG. 1 is a front elevation view of the gas mask with thermal sensor of the present invention.

FIG. 2 is a left side elevation view of the gas mask with thermal sensor.

FIG. 3 is a right side elevation view of the gas mask with thermal sensor.

FIG. 4 is a top plan view of the gas mask with thermal sensor; and,

FIG. 5 is a bottom plan view of the gas mask with thermal sensor.

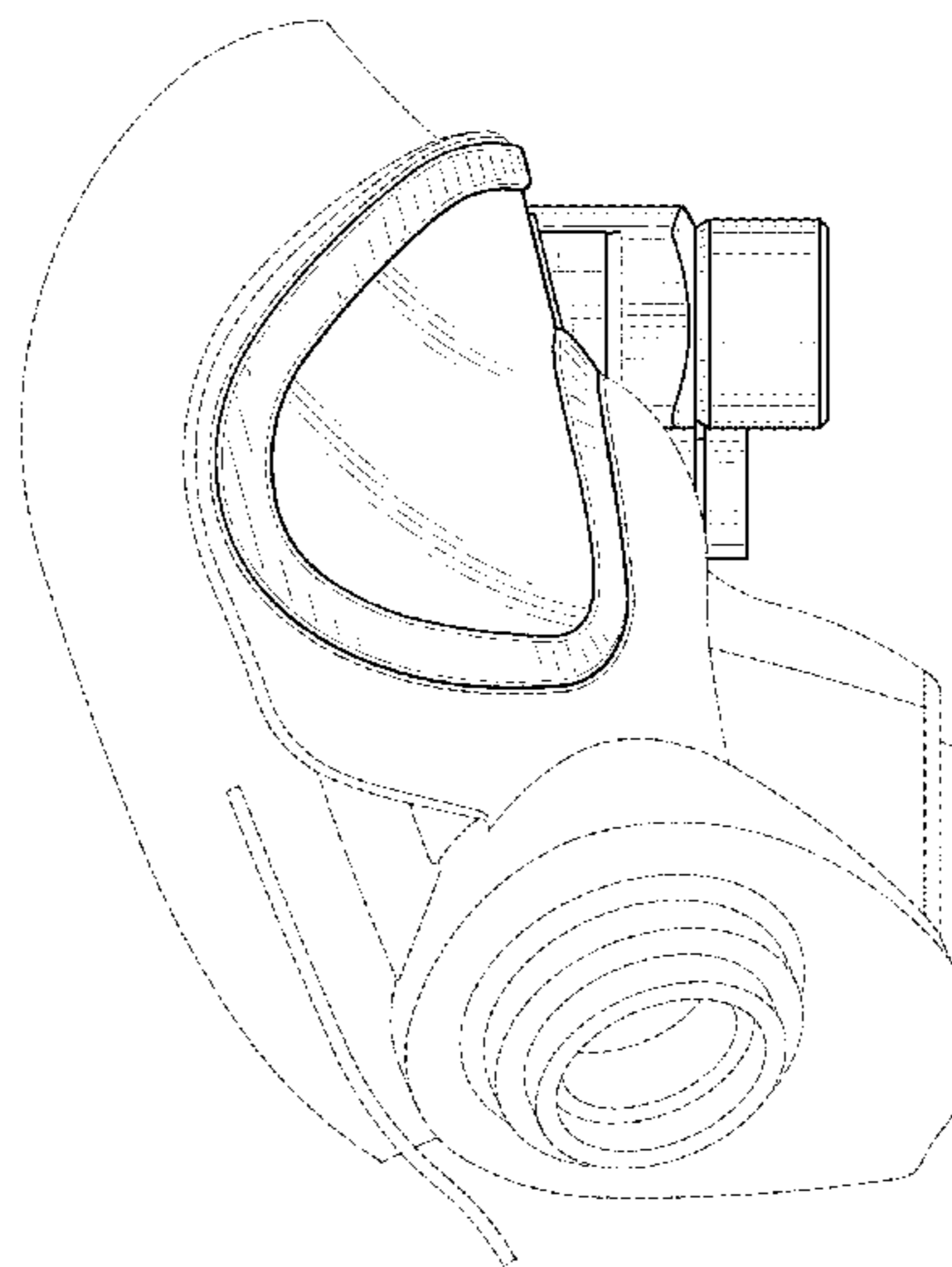
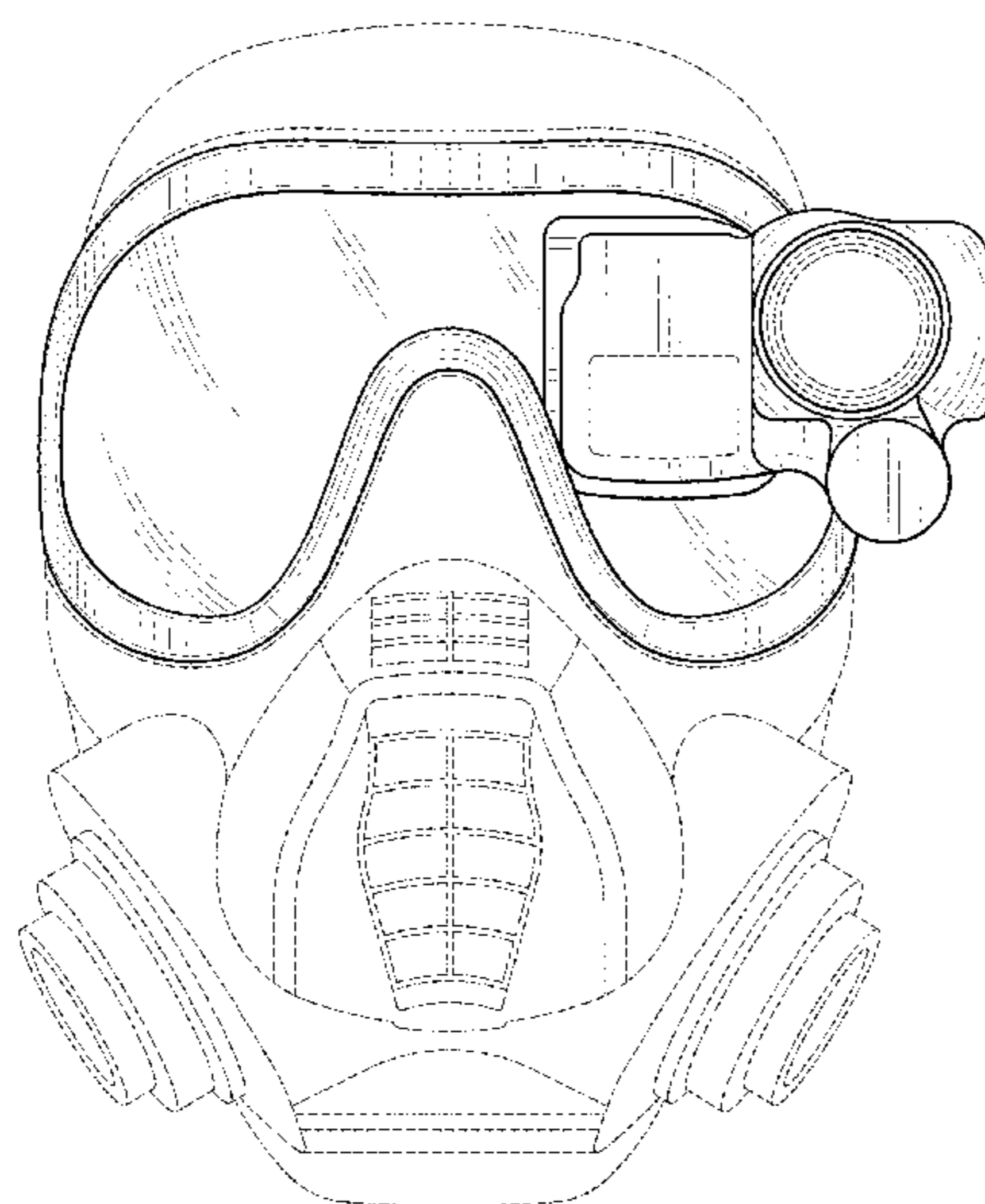
The broken lines illustrate portions of the gas mask with thermal sensor which form no part of the claimed design. The broken line showing of portions of the article immediately adjacent the shaded areas is included for the purpose of illustrating environmental structure with the lines themselves and the areas within forming no part of the claimed design.

(56) **References Cited**

U.S. PATENT DOCUMENTS

2,898,908 A * 8/1959 Sovinsky 128/201.15
2,918,060 A * 12/1959 Lobelle 128/201.24
4,653,879 A 3/1987 Filipovich
4,655,562 A 4/1987 Kreitzer et al.

1 Claim, 5 Drawing Sheets



(56)

References Cited

U.S. PATENT DOCUMENTS

5,379,140 A 1/1995 Michel et al.
 5,581,271 A 12/1996 Kraemer
 D378,610 S * 3/1997 Reischel et al. D24/110.2
 D431,585 S * 10/2000 Vance et al. D16/312
 6,160,666 A * 12/2000 Rallison et al. 359/630
 6,567,220 B2 * 5/2003 McDonald et al. 359/630
 6,717,737 B1 * 4/2004 Haglund 359/631
 6,859,327 B2 * 2/2005 Del Bianco et al. 359/630
 6,900,777 B1 5/2005 Hebert et al.
 7,170,058 B2 * 1/2007 Miyano et al. 250/330
 7,245,273 B2 7/2007 Dickerson
 7,278,421 B2 * 10/2007 Hannah et al. 128/201.29
 7,369,174 B2 * 5/2008 Olita et al. 348/373
 7,460,304 B1 * 12/2008 Epstein et al. 359/618
 D602,154 S * 10/2009 Ono et al. D24/110.2
 7,969,383 B2 6/2011 Eberl et al.
 8,028,700 B2 * 10/2011 Hannah et al. 128/206.28
 D700,928 S * 3/2014 Lavoie D16/309
 D700,962 S * 3/2014 Lavoie D24/110.2
 D702,831 S * 4/2014 Lavoie D24/110.2
 D704,327 S * 5/2014 Lavoie D24/110.2
 D704,328 S * 5/2014 Lavoie D24/110.2
 8,720,437 B2 * 5/2014 Aubonnet et al. 128/202.27
 D706,414 S * 6/2014 Lavoie D24/110.2
 2004/0144382 A1 * 7/2004 Alvey et al. 128/201.22

OTHER PUBLICATIONS

OES Products Group. (n.d.). OES Products Group. Retrieved Oct. 14, 2013, from <http://www.theoesgroup.com/>.
 Air Soft Extreme. (n.d.). Air Soft Extreme. Retrieved Oct. 14, 2013, from www.airsoftextreme.com/store/index.php?main_page=product_info&cPath=254_671&products_id=6793&zenid=osl8ng6c6pmdvk5be62n0dem50.
 MSA MSA Ultra Elite(TM) SCBA Respirator, S—Full Face Respirators—4AFU9|10084690—Grainger Industrial Supply. (n.d.). Grainger Industrial Supply—MRO Supplies, MRO Equipment, Tools & Solutions. Retrieved Oct. 14, 2013, from <http://www.grainger.com/Grainger/MSA-Full-Face-Respirator-4AFU9>.
 Dräger FPS-COM-PLUS. (n.d.). Home. Retrieved Oct. 14, 2013, from http://www.draeger.com/sites/enus_us/Pages/Oil-Gas-Industry/Draeger-FPS-COM-PLUS.aspx.
 Arayem Trade—Scott Sabre self contained breathing apparatus. (n.d.). Arayem Trade—Home. Retrieved Oct. 14, 2013, from http://arayemtrade.com/sabre_self_contained_breathing_apparatus.
 Paul Ridden, “World First GPS Goggles With Head Mounted Display,” Wearable Electronics, Oct. 8, 2010.
 Scott British Army MoD General Service Gas Mask CBRN Respirator (GSR)—Product Code: AAAGAS-249—Retrieved Feb. 18, 2014 from <http://armygasmasks.com/Unissued-British-Army-GSR-General-Service-Gas-mask-p/aaagas-249.htm>.

* cited by examiner

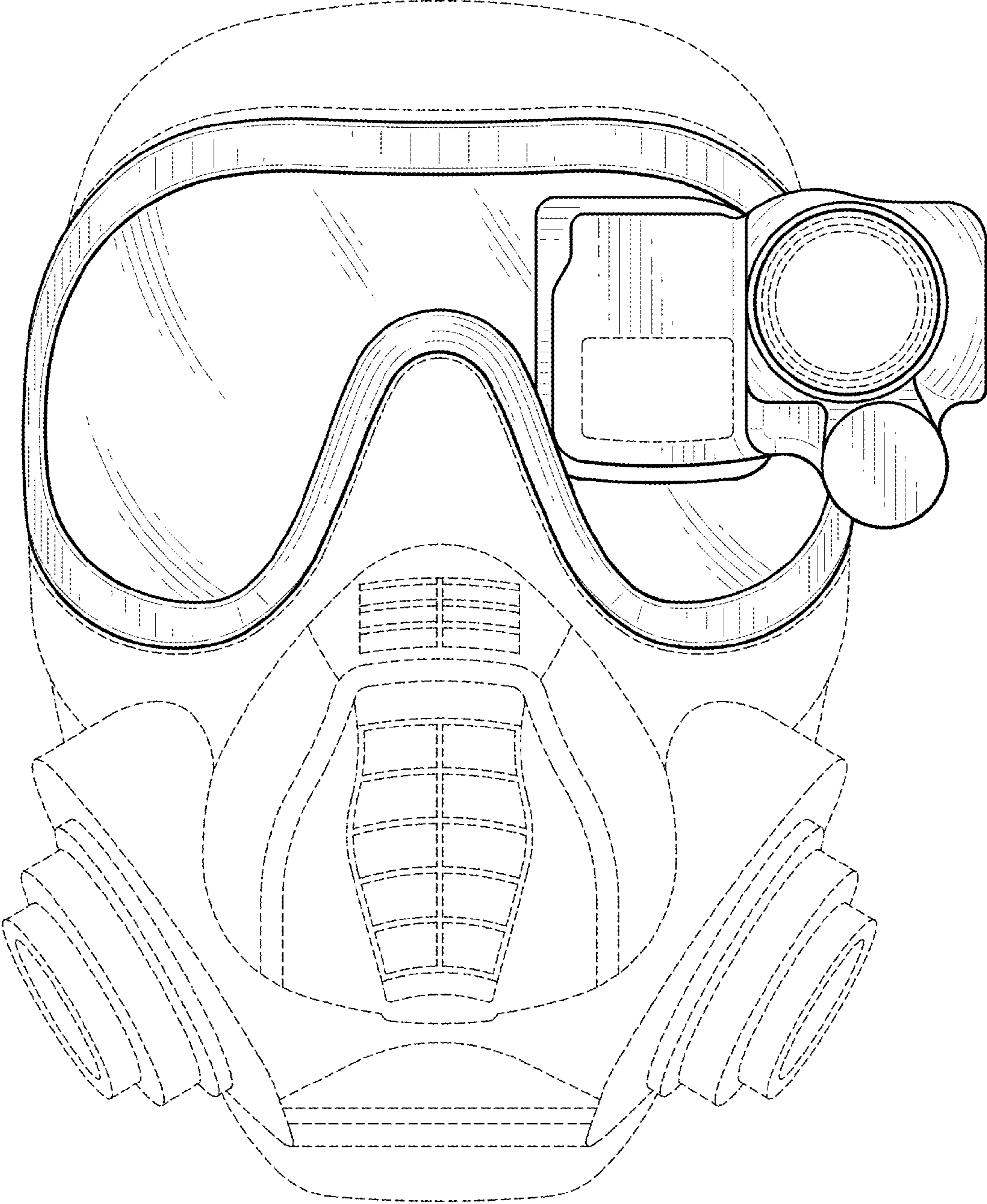


FIG-1

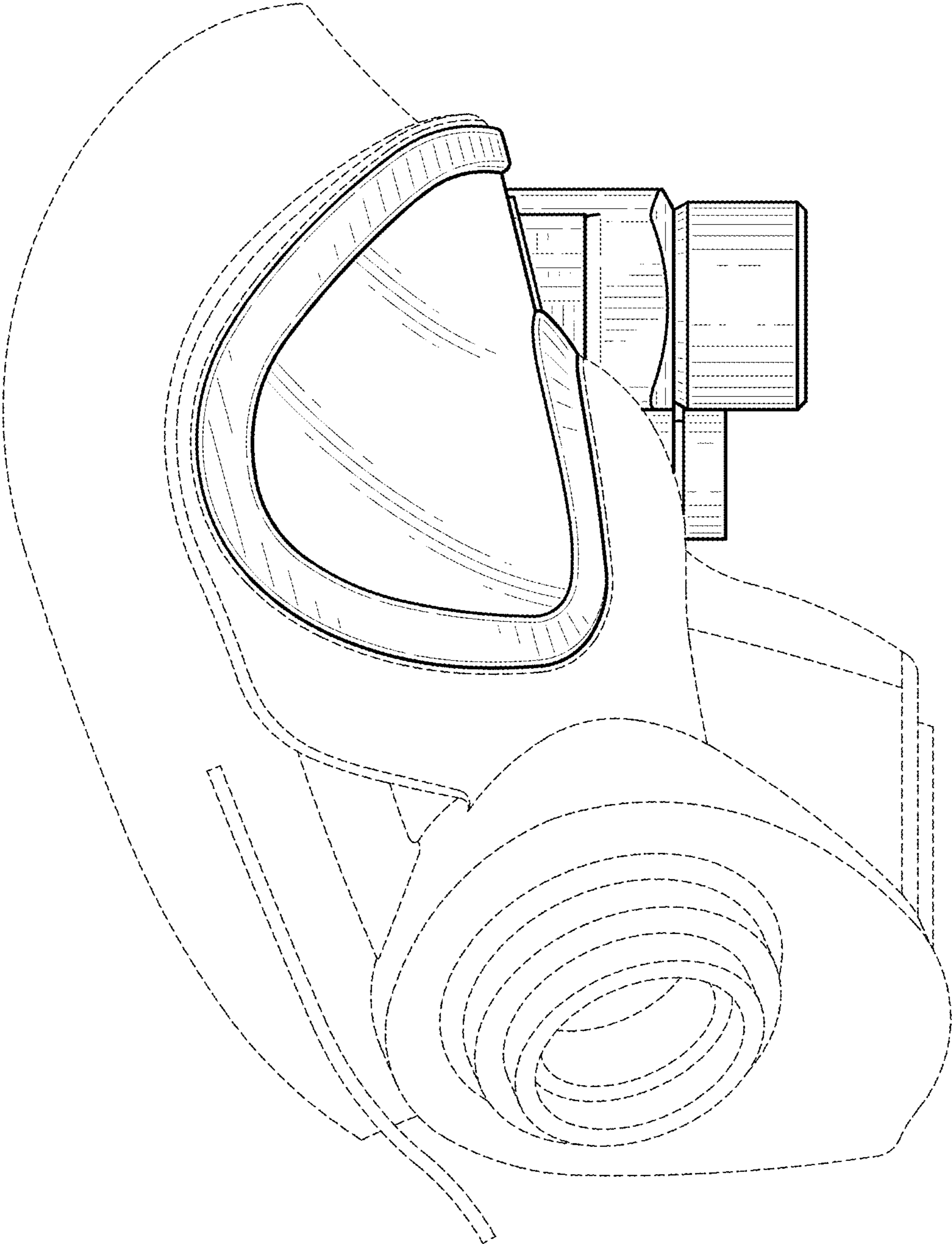


FIG-2

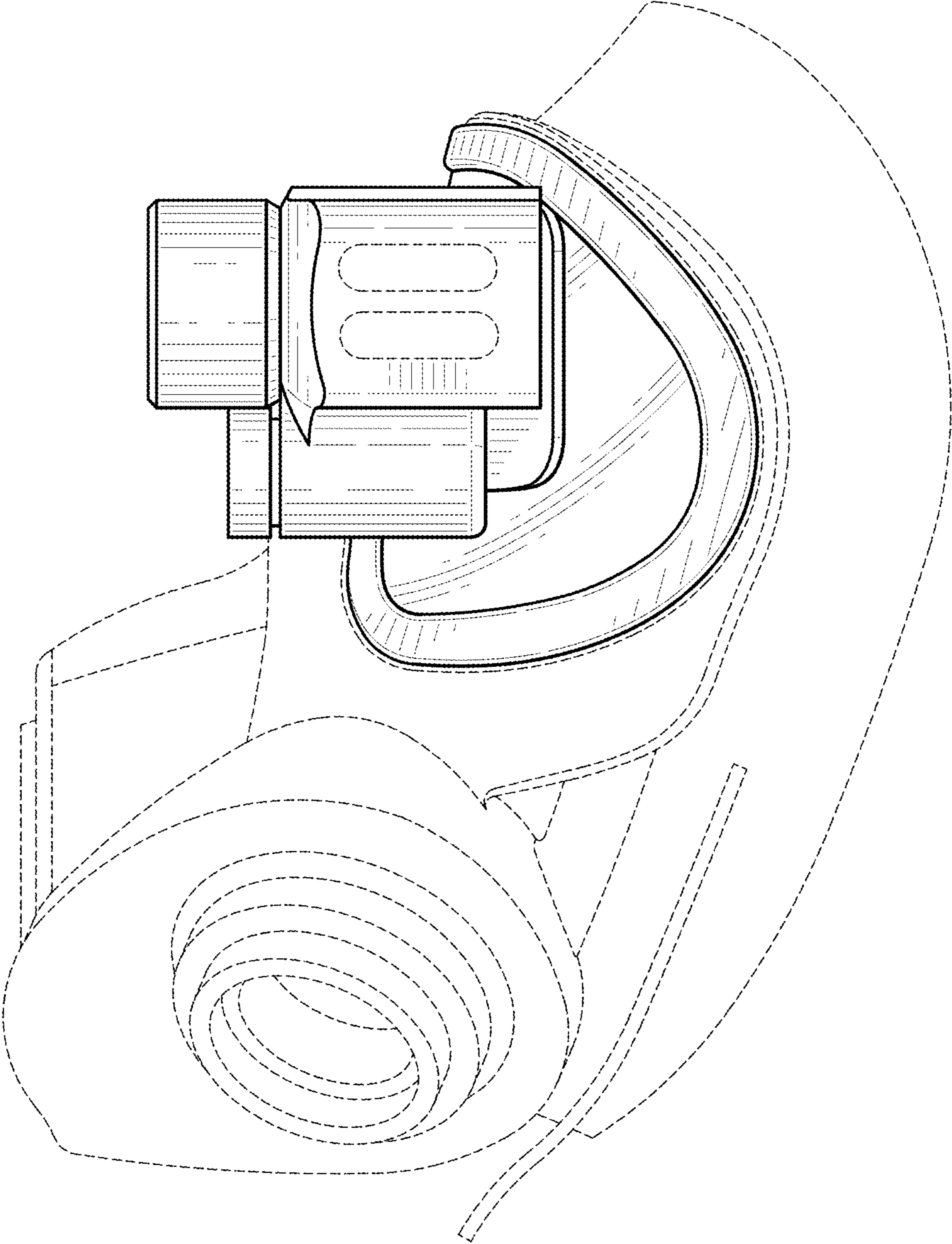


FIG-3

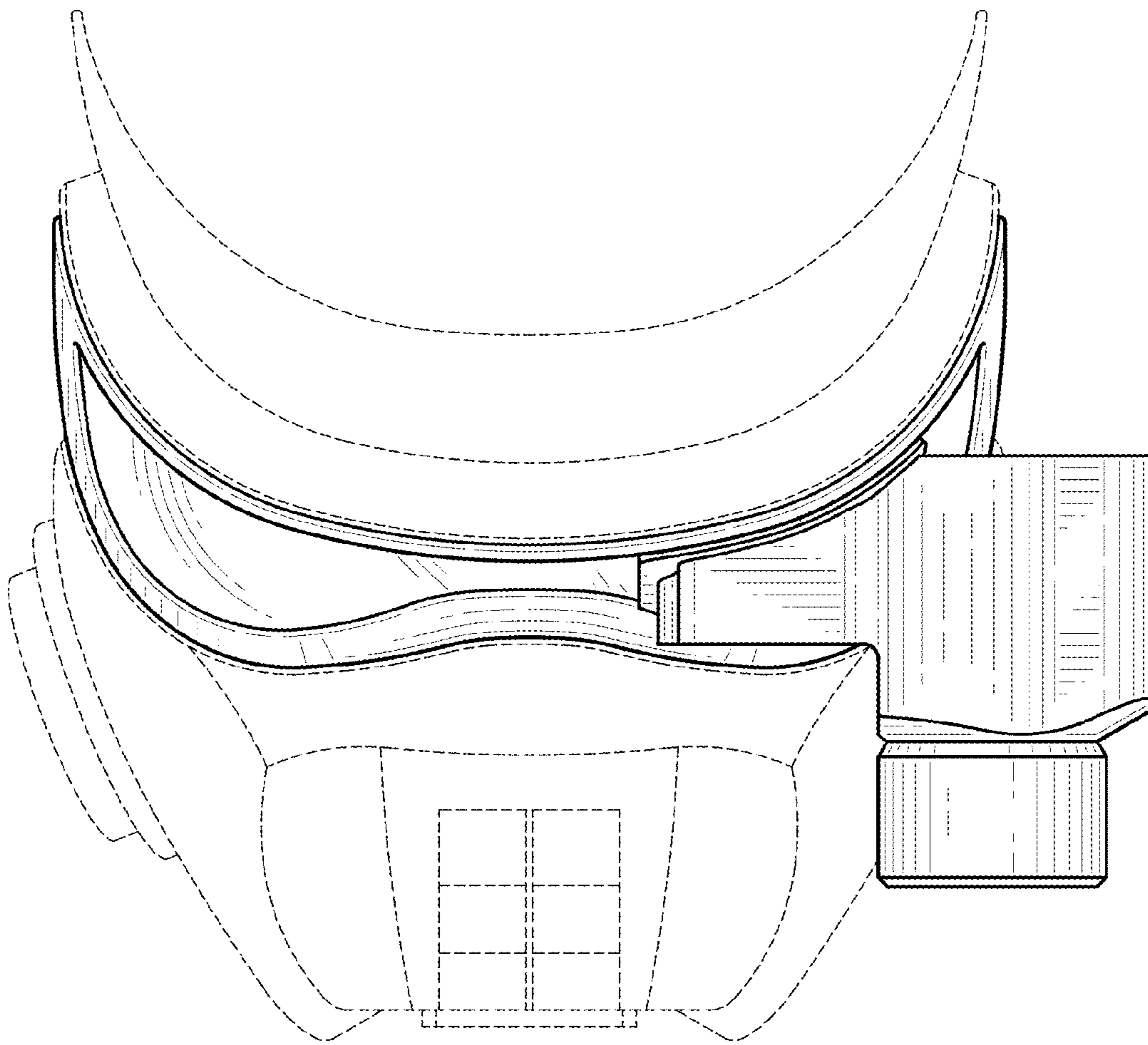


FIG-4

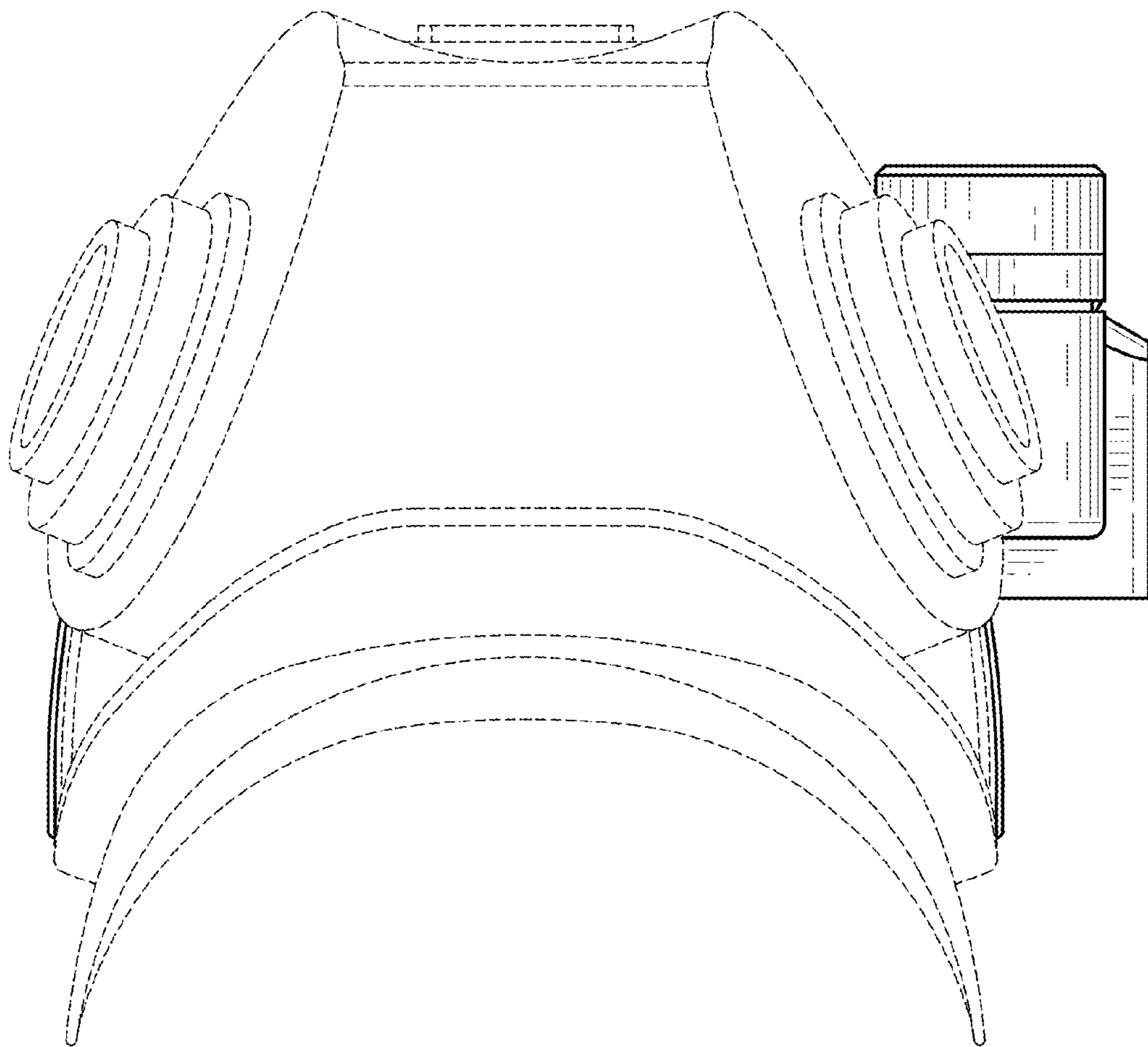


FIG-5