

US00D737953S

(12) **United States Design Patent**  
**Wells et al.**

(10) **Patent No.:** **US D737,953 S**  
(45) **Date of Patent:** **\*\* Sep. 1, 2015**

(54) **PATIENT INTERFACE** 128/207.12, 207.13, 207.17, 207.18; 2/171,  
2/181, 4, 255

(71) Applicant: **ResMed Limited**, Bella Vista, New South Wales (AU) See application file for complete search history.

(72) Inventors: **Alicia Kristianne Wells**, Narrabeen (AU); **Craig David Edwards**, Annandale (AU); **Shiva Kumar Shanmuga Sundara**, Girraween (AU); **Murray William Lee**, Quakers Hill (AU); **Kirrily Michele Haskard**, Annandale (AU); **Anthony Paul Barbara**, Smithfield (AU); **Stewart Joseph Wagner**, Bowen Mountain (AU); **Frederick Arlet May**, Bella Vista (AU); **Lachlan Richard Goldspink**, Elizabeth Bay (AU); **Chia Ik Tan**, Epping (AU); **Martin Forrester**, Trenton (CA); **Ralph Jourdan**, Morfelden (DE)

(73) Assignee: **RESMED LIMITED**, Bella Vista (AU)

(\*\*) Term: **14 Years**

(21) Appl. No.: **29/469,234**

(22) Filed: **Oct. 8, 2013**

**Related U.S. Application Data**

(63) Continuation-in-part of application No. 29/461,680, filed on Jul. 26, 2013, now abandoned.

(51) **LOC (10) Cl.** ..... **29-02**

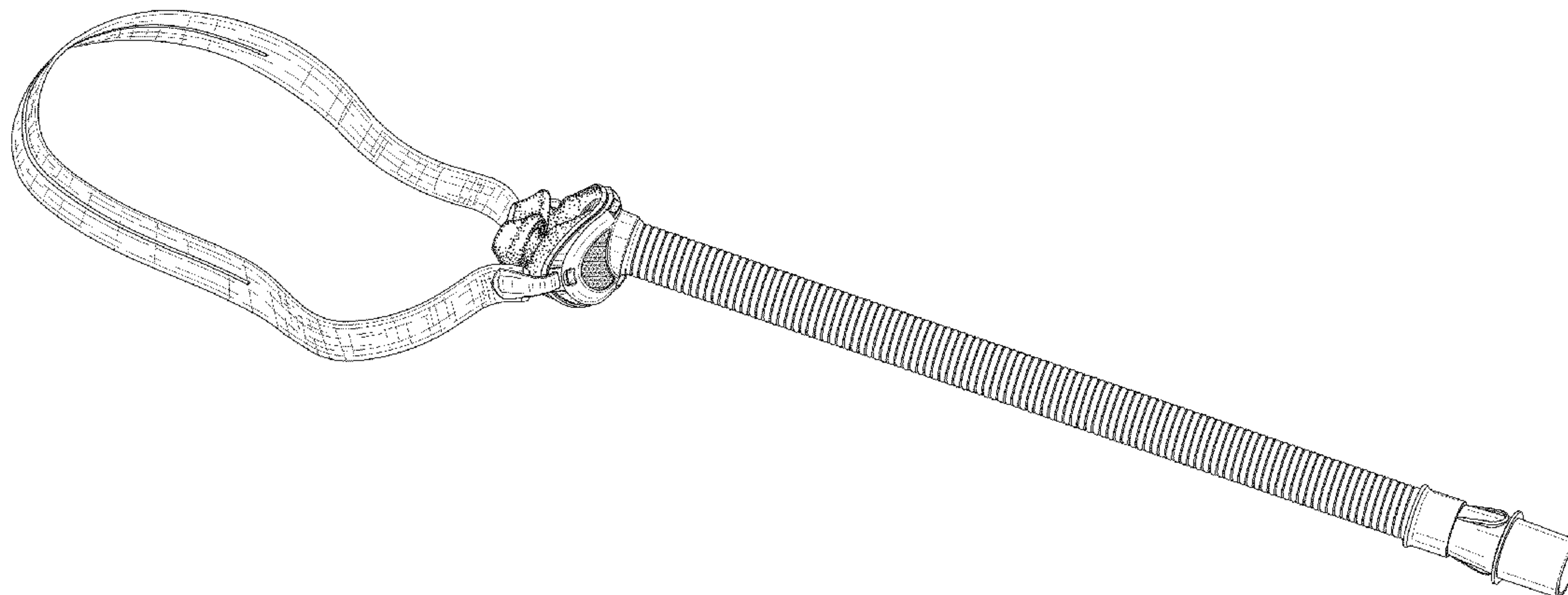
(52) **U.S. Cl.**  
USPC ..... **D24/110**

(58) **Field of Classification Search**  
USPC ..... D24/110, 110.1-110.5; 128/202.27,  
128/204.21, 205.25, 205.27,  
128/206.11-206.13, 206.18, 206.21,  
128/206.24, 206.27, 206.28, 207.11,

(56) **References Cited**

U.S. PATENT DOCUMENTS

4,782,832	A	11/1988	Trimble et al.	
5,724,965	A	3/1998	Handke et al.	
6,581,594	B1	6/2003	Drew et al.	
6,823,869	B2	11/2004	Raje et al.	
6,854,465	B2	2/2005	Bordewick et al.	
7,318,437	B2	1/2008	Gunaratnam et al.	
7,562,658	B2	7/2009	Madaus et al.	
D614,288	S *	4/2010	Judson et al. ....	D24/110.1
7,743,767	B2	6/2010	Ging et al.	
D626,646	S *	11/2010	Lubke et al. ....	D24/110.1
D656,231	S *	3/2012	Henry et al. ....	D24/110.1
D661,796	S *	6/2012	Andrews et al. ....	D24/110.1
D664,250	S *	7/2012	Scheiner et al. ....	D24/110.1
D669,576	S *	10/2012	Smart et al. ....	D24/110.1
8,371,302	B2 *	2/2013	Ging et al. ....	128/206.24
D677,789	S *	3/2013	Row et al. ....	D24/129
8,439,038	B2	5/2013	Steindorf et al.	
8,770,198	B2 *	7/2014	Yee et al. ....	128/207.18
2006/0107958	A1 *	5/2006	Sleeper ....	128/206.11
2008/0185007	A1 *	8/2008	Sleeper et al. ....	128/207.18
2009/0044808	A1	2/2009	Guney et al.	
2009/0044810	A1	2/2009	Kwok et al.	
2009/0050156	A1	2/2009	Ng et al.	
2009/0078259	A1	3/2009	Kooij et al.	
2009/0107508	A1	4/2009	Brambilla et al.	
2009/0151729	A1 *	6/2009	Judson et al. ....	128/207.13
2009/0277525	A1	11/2009	Jourdan	
2010/0101576	A1	4/2010	Berthon-Jones et al.	
2010/0215351	A1 *	8/2010	Forrester ....	392/481
2010/0224276	A1	9/2010	Forrester et al.	
2010/0319700	A1	12/2010	Ng et al.	
2011/0056497	A1 *	3/2011	Scheiner et al. ....	128/206.24
2012/0012114	A1 *	1/2012	Chandran et al. ....	128/206.28
2012/0227738	A1 *	9/2012	Virr et al. ....	128/204.21
2012/0318270	A1	12/2012	McAuley et al.	
2012/0325205	A1 *	12/2012	Allum et al. ....	128/201.13
2013/0074845	A1	3/2013	Smith et al.	
2013/0233318	A1 *	9/2013	Graham et al. ....	128/205.27
2013/0239973	A1 *	9/2013	Scheiner et al. ....	128/206.24
2013/0291870	A1 *	11/2013	Ging et al. ....	128/205.25



2014/0026890	A1*	1/2014	Haskard et al. ....	128/207.11
2014/0102452	A1*	4/2014	Forrester .....	128/204.18
2014/0202466	A1*	7/2014	Ho et al. ....	128/206.24
2014/0326248	A1*	11/2014	Haibach et al. ....	128/207.18

FOREIGN PATENT DOCUMENTS

EP	1356841	10/2003
EP	2022528	2/2009
NZ	553756	2/2007
NZ	553822	6/2007
NZ	553824	6/2007
NZ	553825	6/2007
NZ	562418	11/2007
NZ	562419	11/2007
WO	WO 00/69521	11/2000
WO	WO 02/11804	2/2002
WO	WO 2005/010608	2/2005
WO	WO 2009/052560	4/2009
WO	WO 2011/121466	10/2011
WO	WO 2013/057647	4/2013

OTHER PUBLICATIONS

Wells et al., Parent U.S. Appl. No. 29/461,680, filed Jul. 26, 2013.

\* cited by examiner

*Primary Examiner* — Wan Laymon

*Assistant Examiner* — Mark Booker

(74) *Attorney, Agent, or Firm* — Nixon & Vanderhye P.C.

(57) **CLAIM**

The ornamental design for a patient interface, as shown and described.

**DESCRIPTION**

FIG. 1 is a front perspective view of a patient interface showing an embodiment according to our new ornamental design; FIG. 2 is front view thereof; FIG. 3 is a rear view thereof; FIG. 4 is a top view thereof; FIG. 5 is a bottom view thereof; FIG. 6 is a right side view thereof; FIG. 7 is a left side view thereof;

FIG. 8 is another front perspective view thereof in position on a model patient's head; FIG. 9 is a front perspective view of a patient interface showing an embodiment according to our new ornamental design; FIG. 10 is front view thereof; FIG. 11 is a rear view thereof; FIG. 12 is a top view thereof; FIG. 13 is a bottom view thereof; FIG. 14 is a left side view thereof; FIG. 15 is another front perspective view thereof in position on a model patient's head; FIG. 16 is a front perspective view of a patient interface showing an embodiment according to our new ornamental design; FIG. 17 is front view thereof; FIG. 18 is a rear view thereof; FIG. 19 is a top view thereof; FIG. 20 is a bottom view thereof; FIG. 21 is a right side view thereof; FIG. 22 is a left side view thereof; FIG. 23 is another front perspective view thereof in position on a model patient's head; FIG. 24 is a front perspective view of a patient interface showing an embodiment according to our new ornamental design; FIG. 25 is front view thereof; FIG. 26 is a rear view thereof; FIG. 27 is a top view thereof; FIG. 28 is a bottom view thereof; FIG. 29 is a left side view thereof; and, FIG. 30 is another front perspective view thereof in position on a model patient's head.

The broken lines represent environment or structure and do not form a portion of the claimed design.

The use of different types of shading in FIGS. 1-15, e.g., stipple-type shading, line shading, etc., is intended to indicate different materials.

The broken away symbol in FIGS. 9-15 and 24-30 indicate that any portion of the article beyond what is shown forms no part of the claimed design.

**1 Claim, 28 Drawing Sheets**



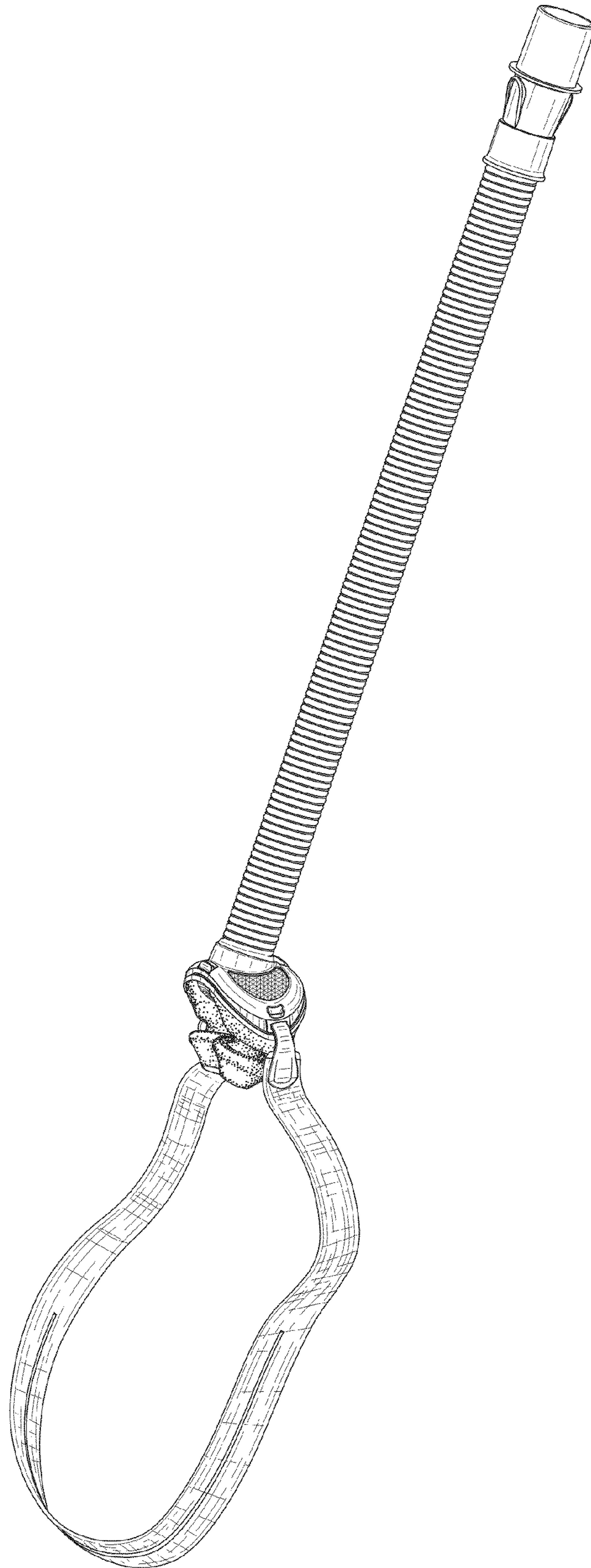


FIG. 1

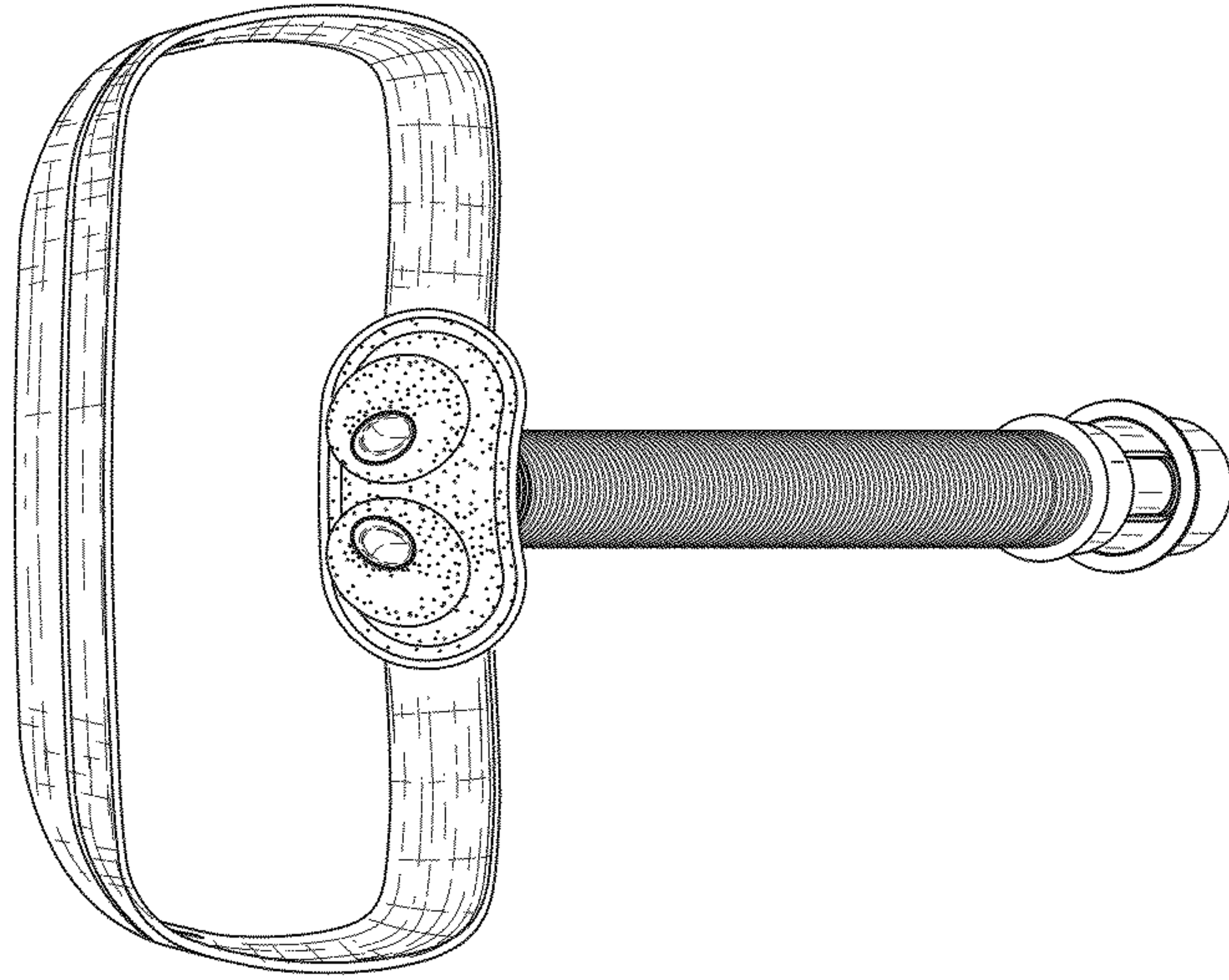


FIG. 3

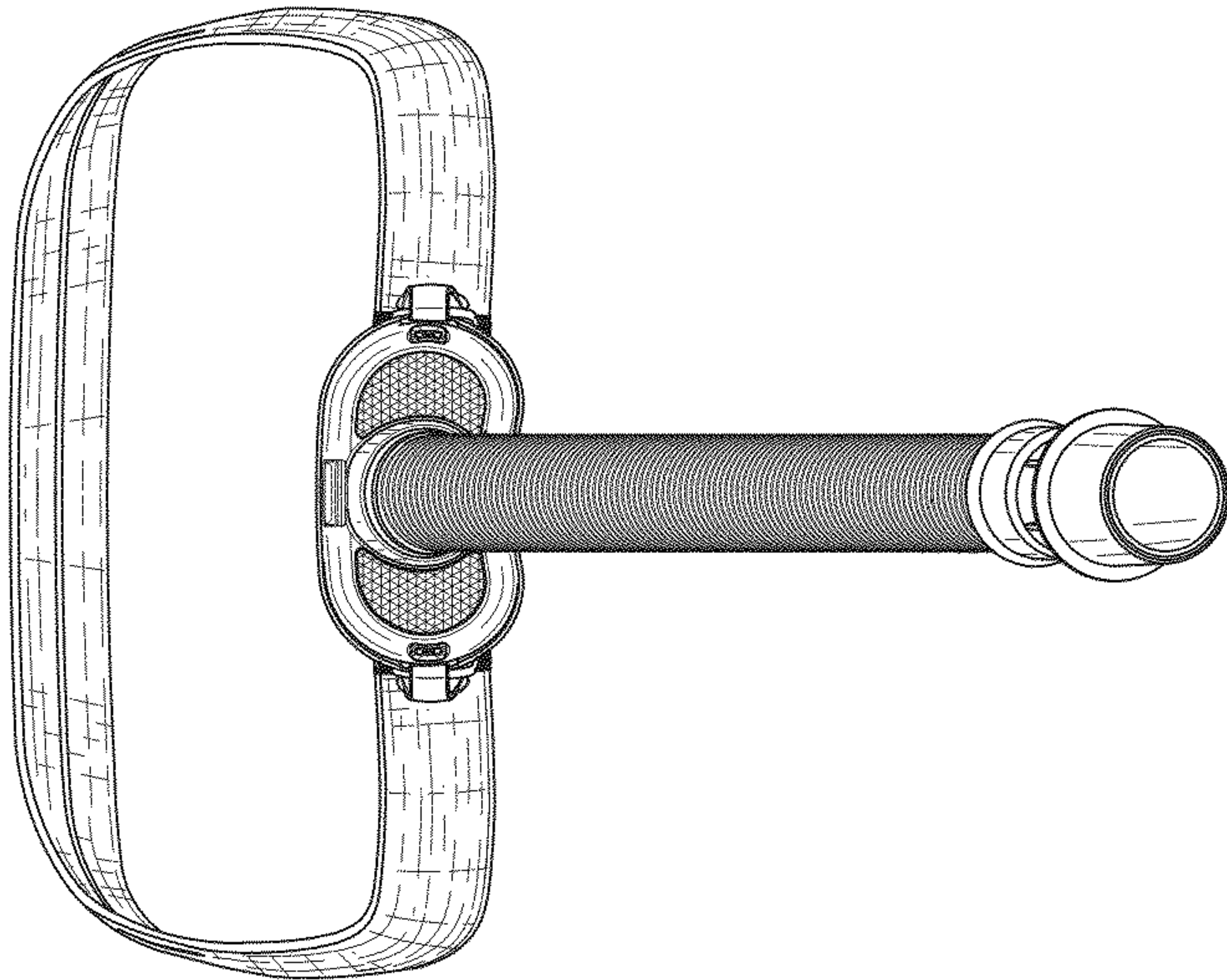


FIG. 2

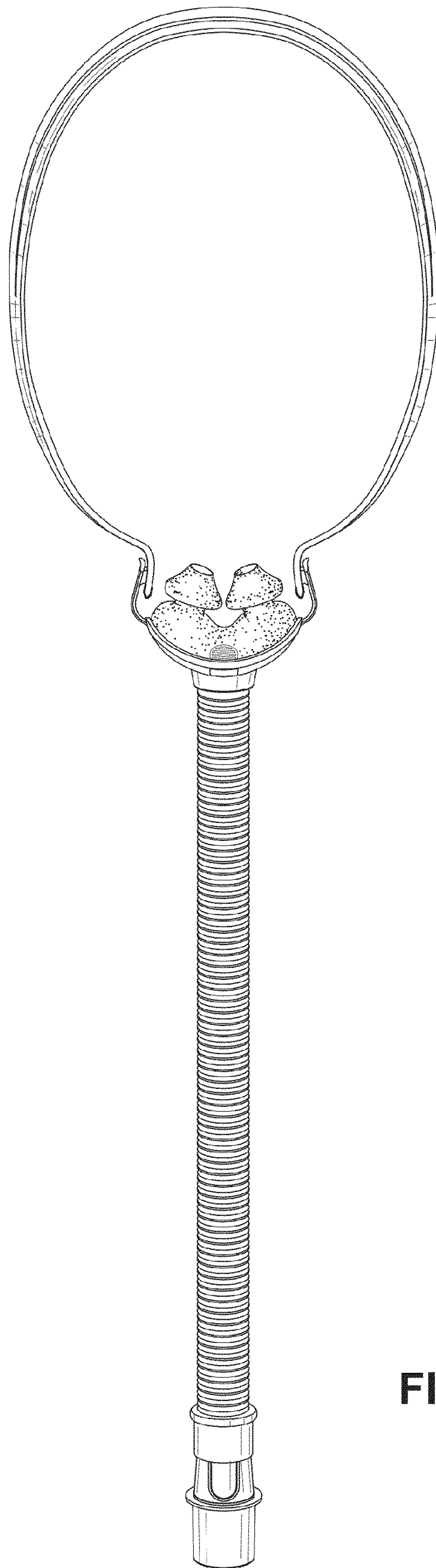


FIG. 4

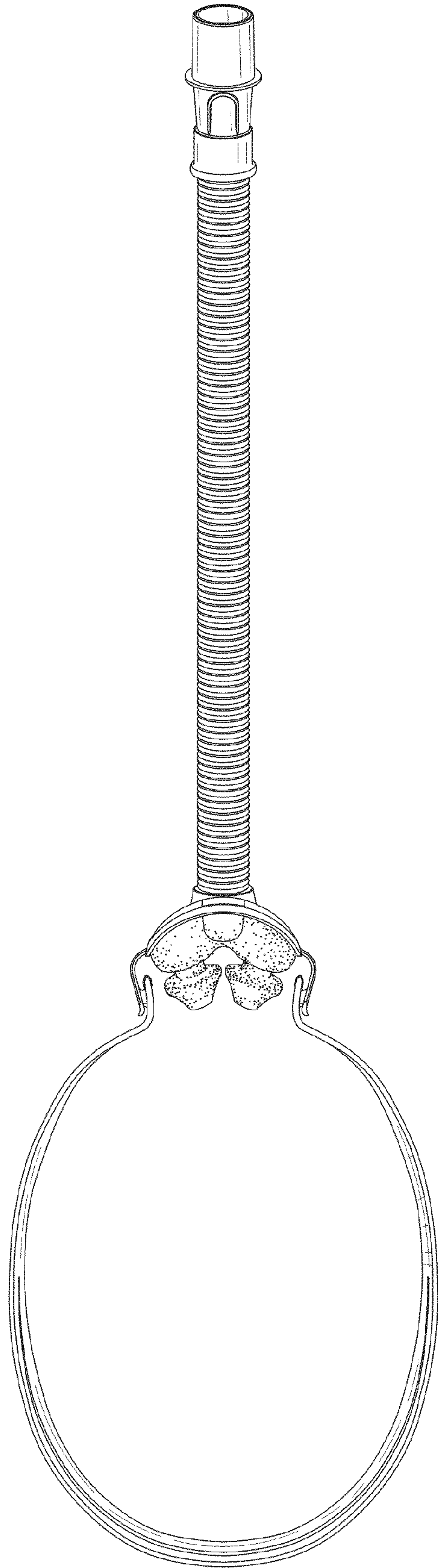


FIG. 5



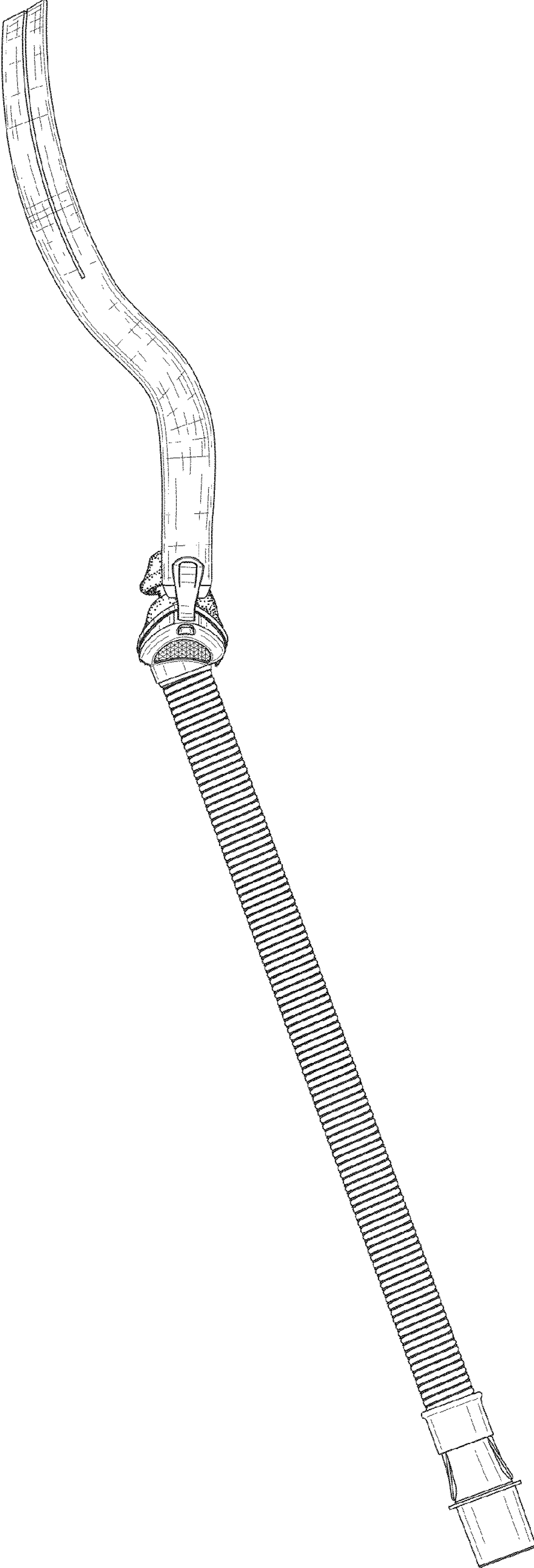


FIG. 6

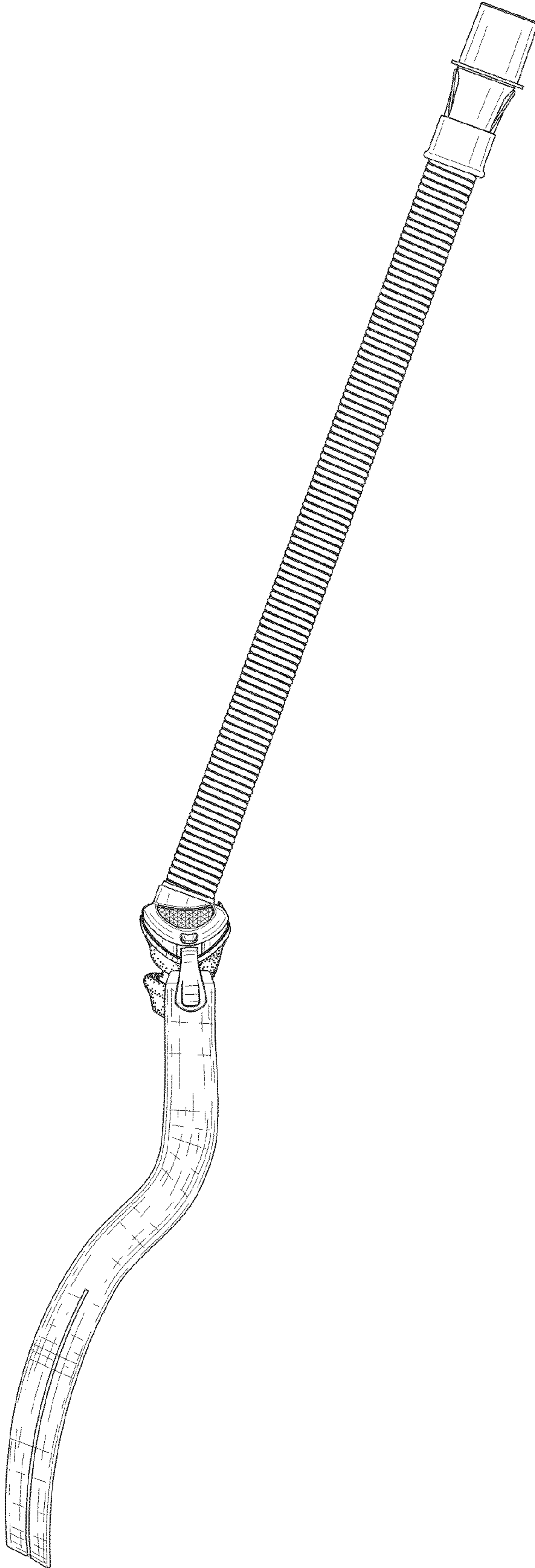


FIG. 7



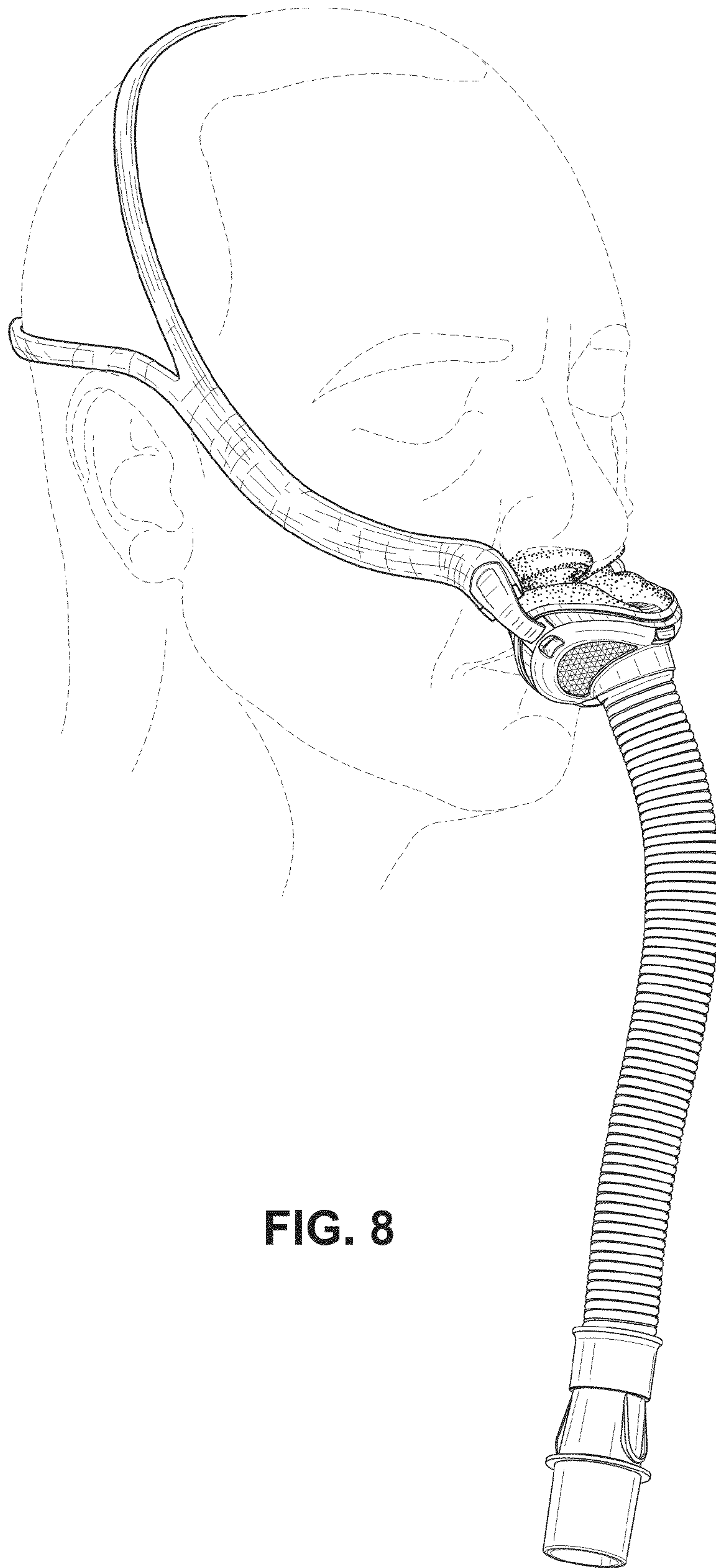


FIG. 8

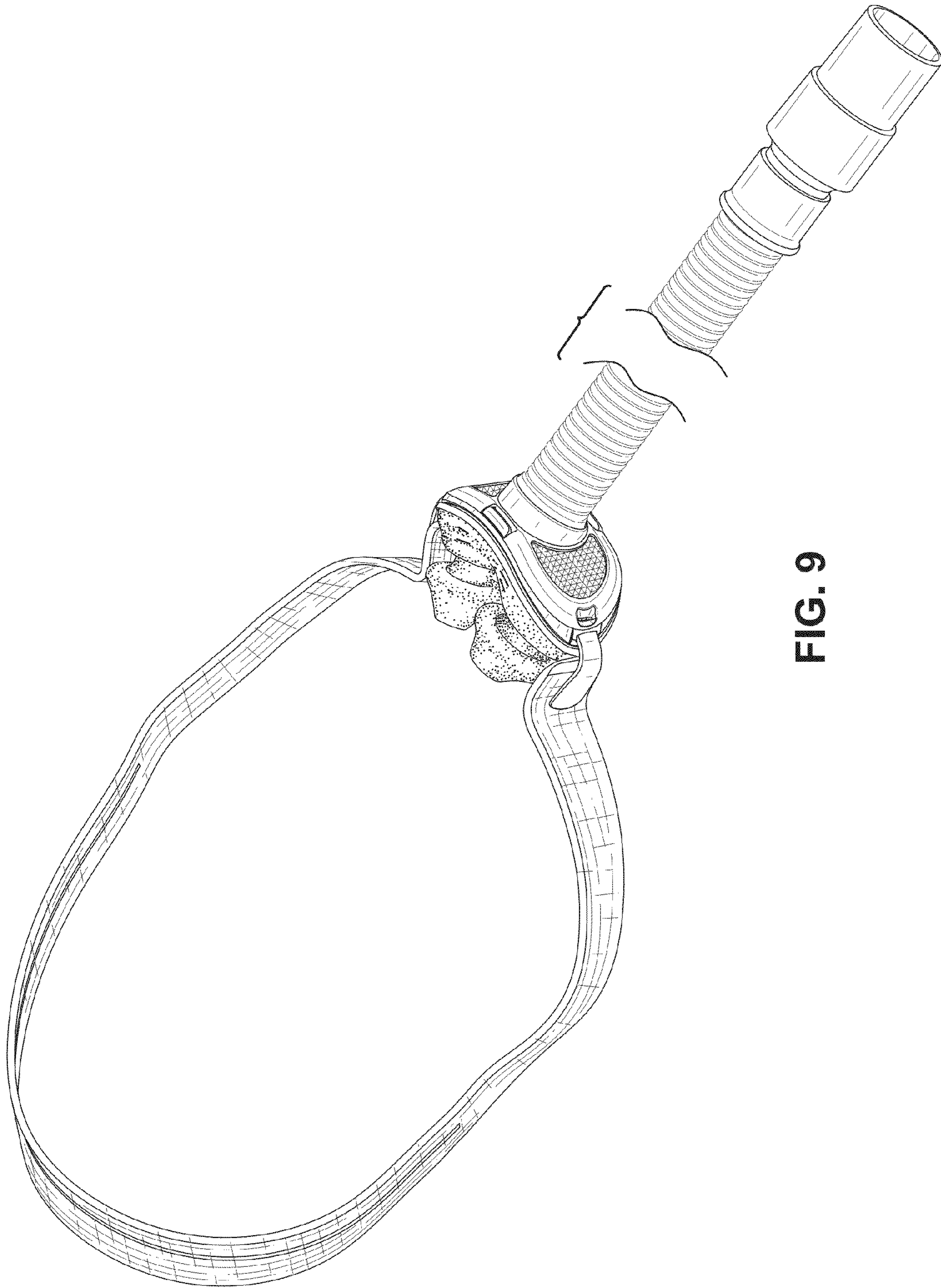


FIG. 9

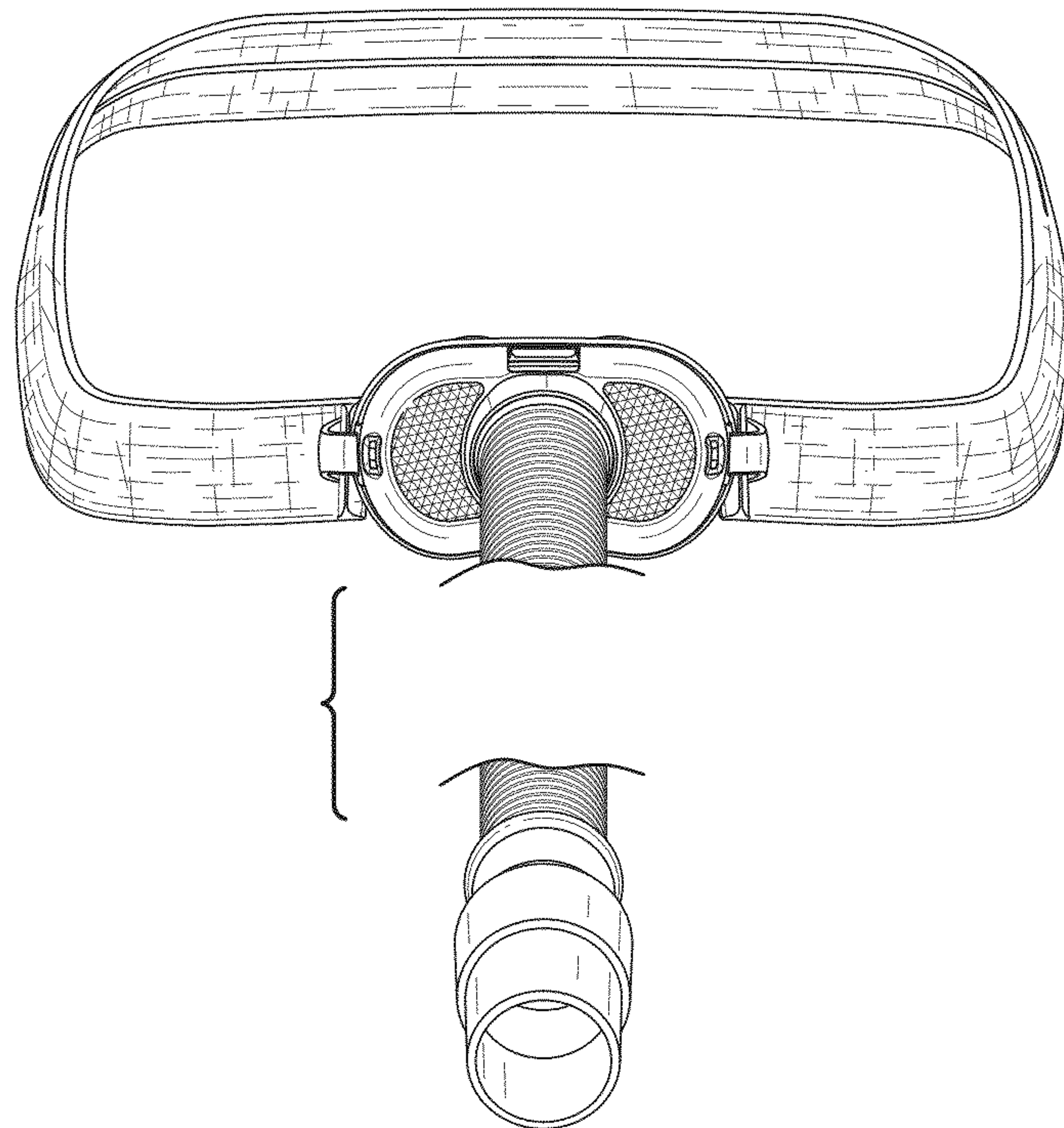


FIG. 10



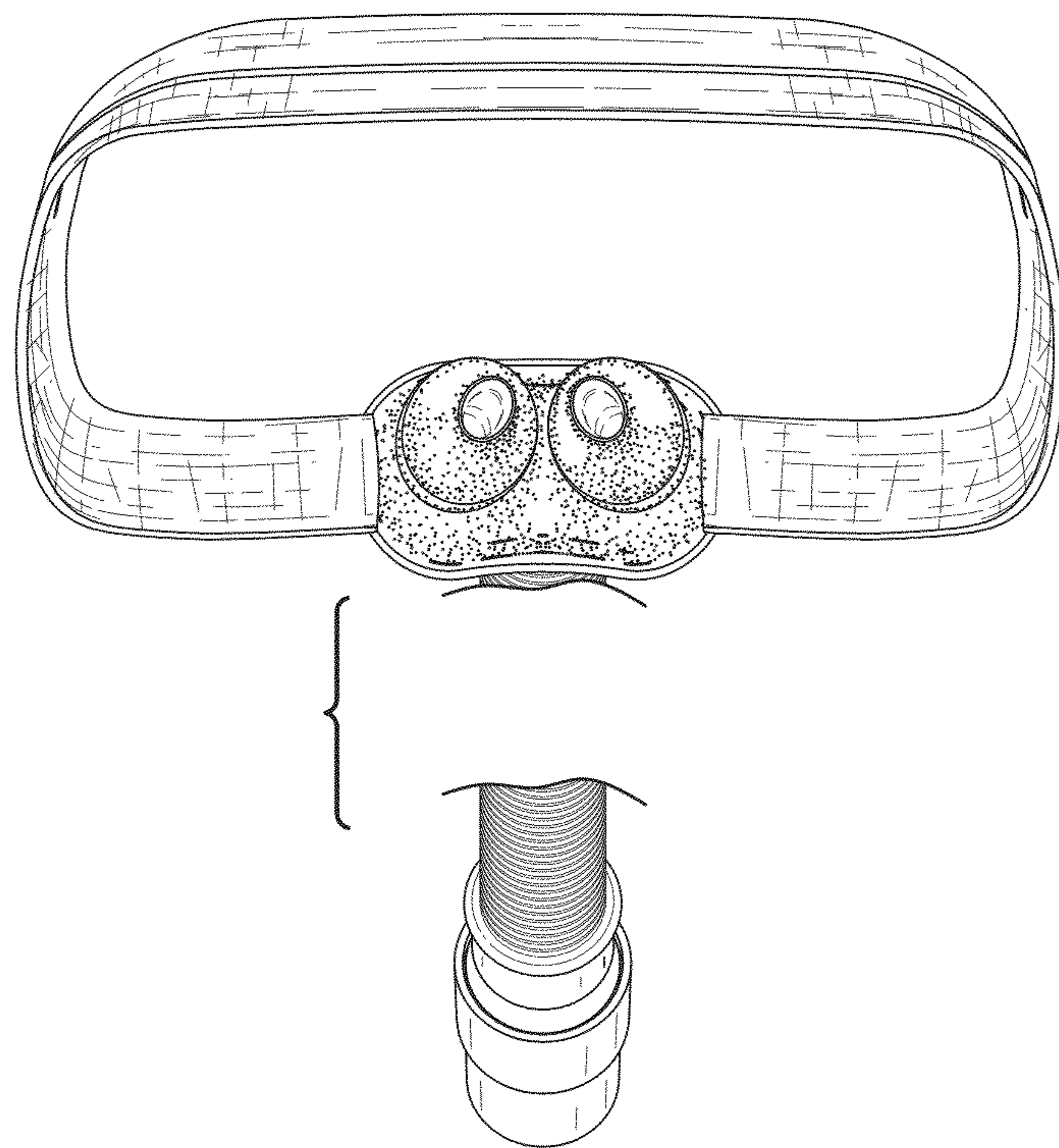


FIG. 11

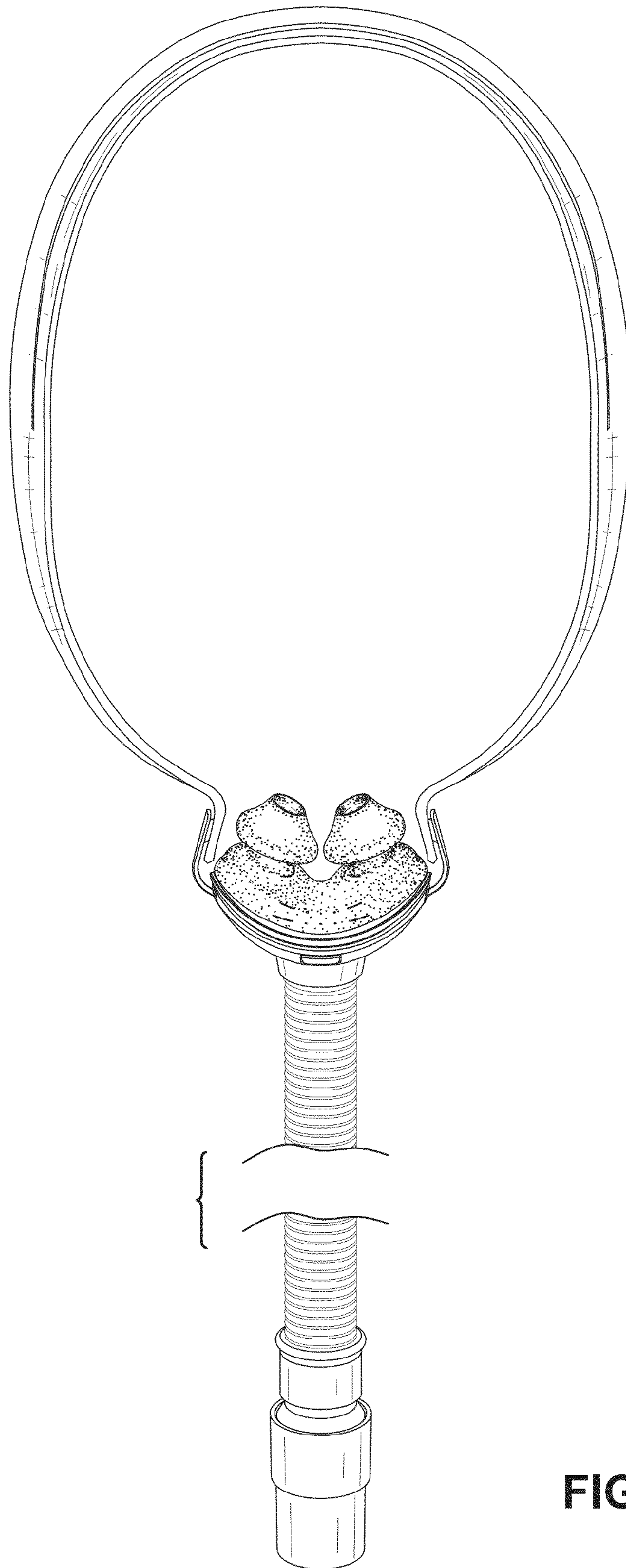


FIG. 12

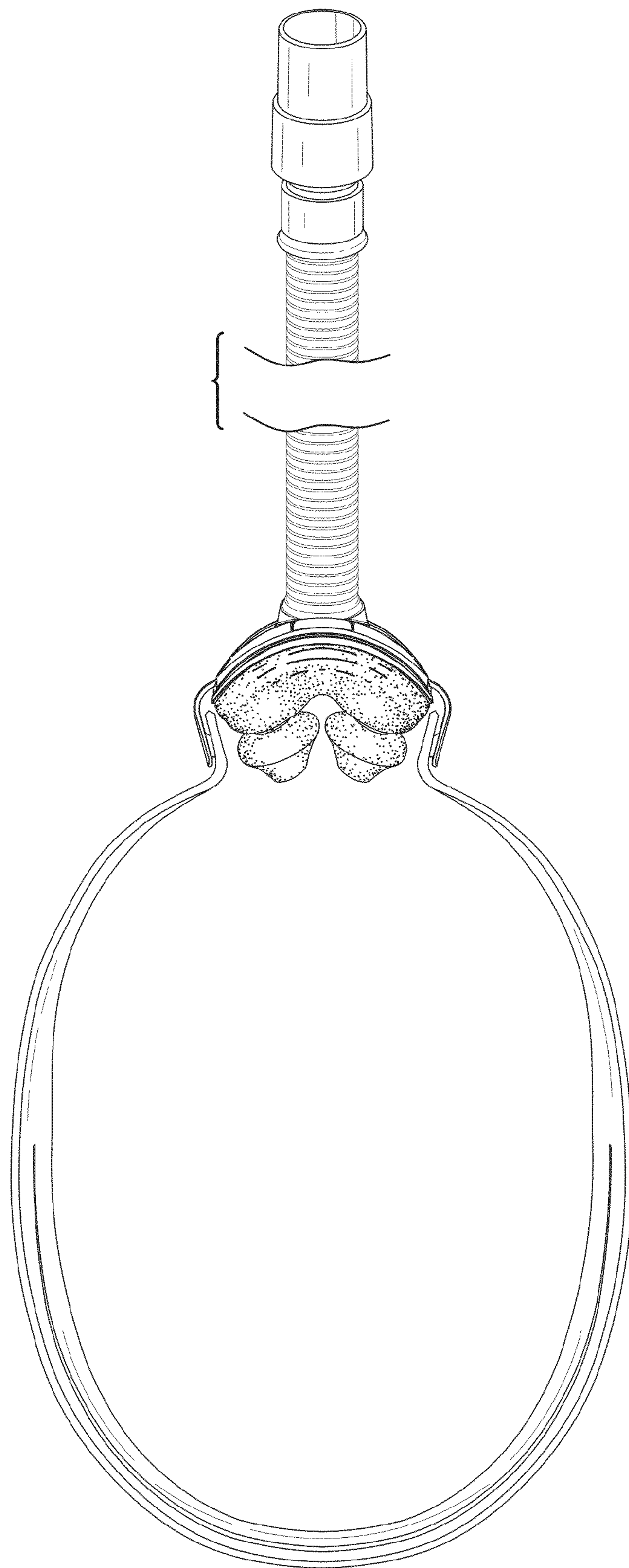


FIG. 13



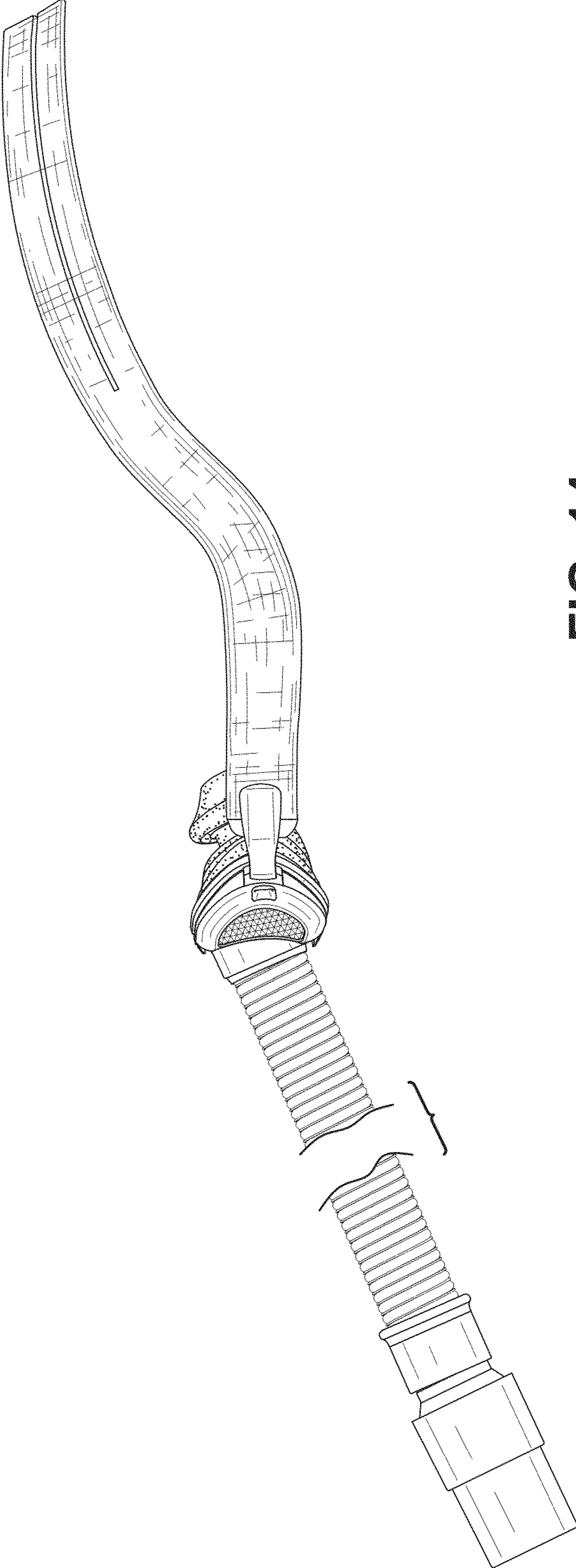


FIG. 14

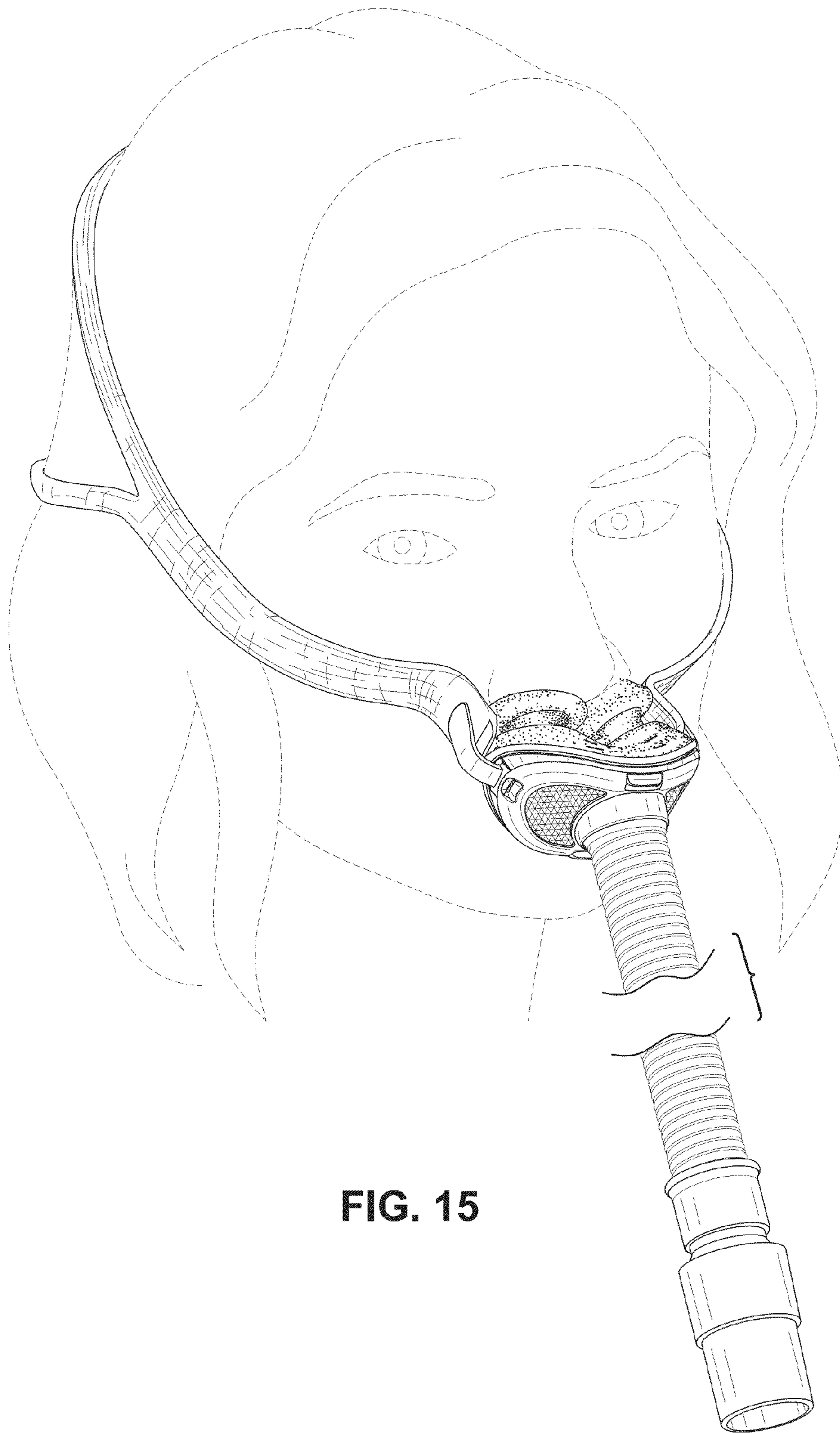


FIG. 15

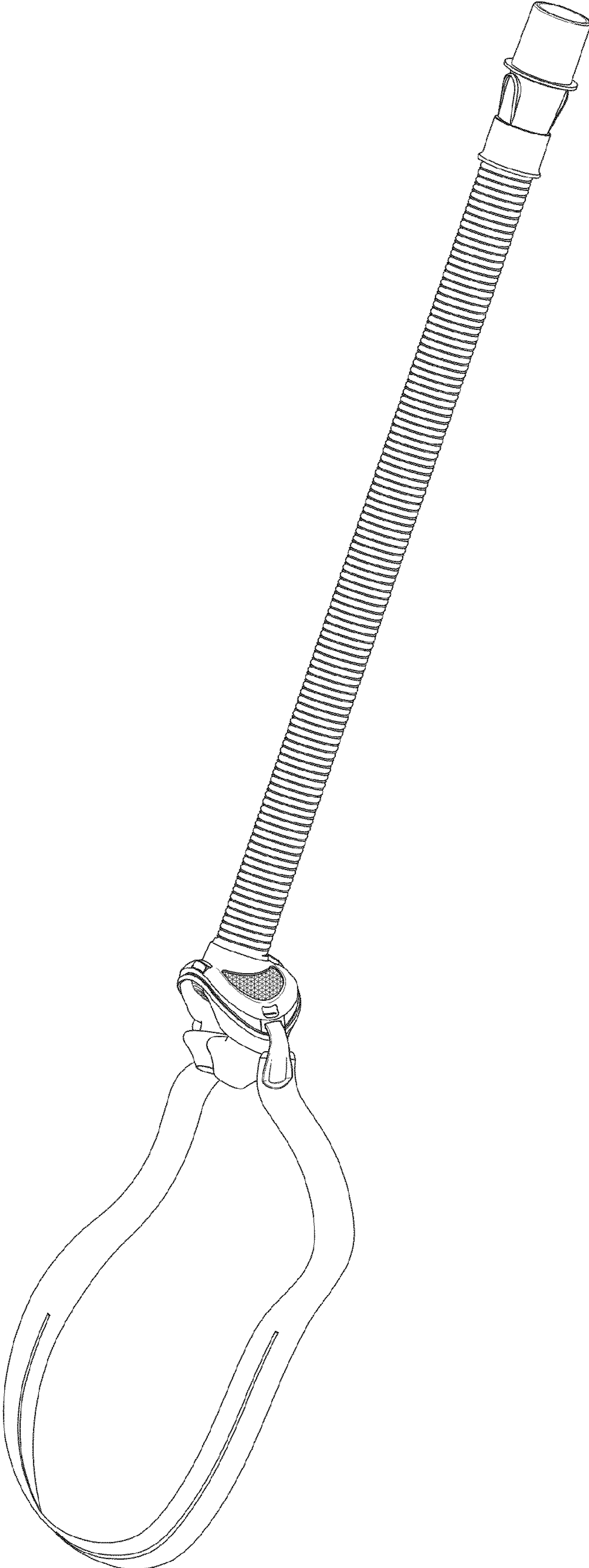


FIG. 16



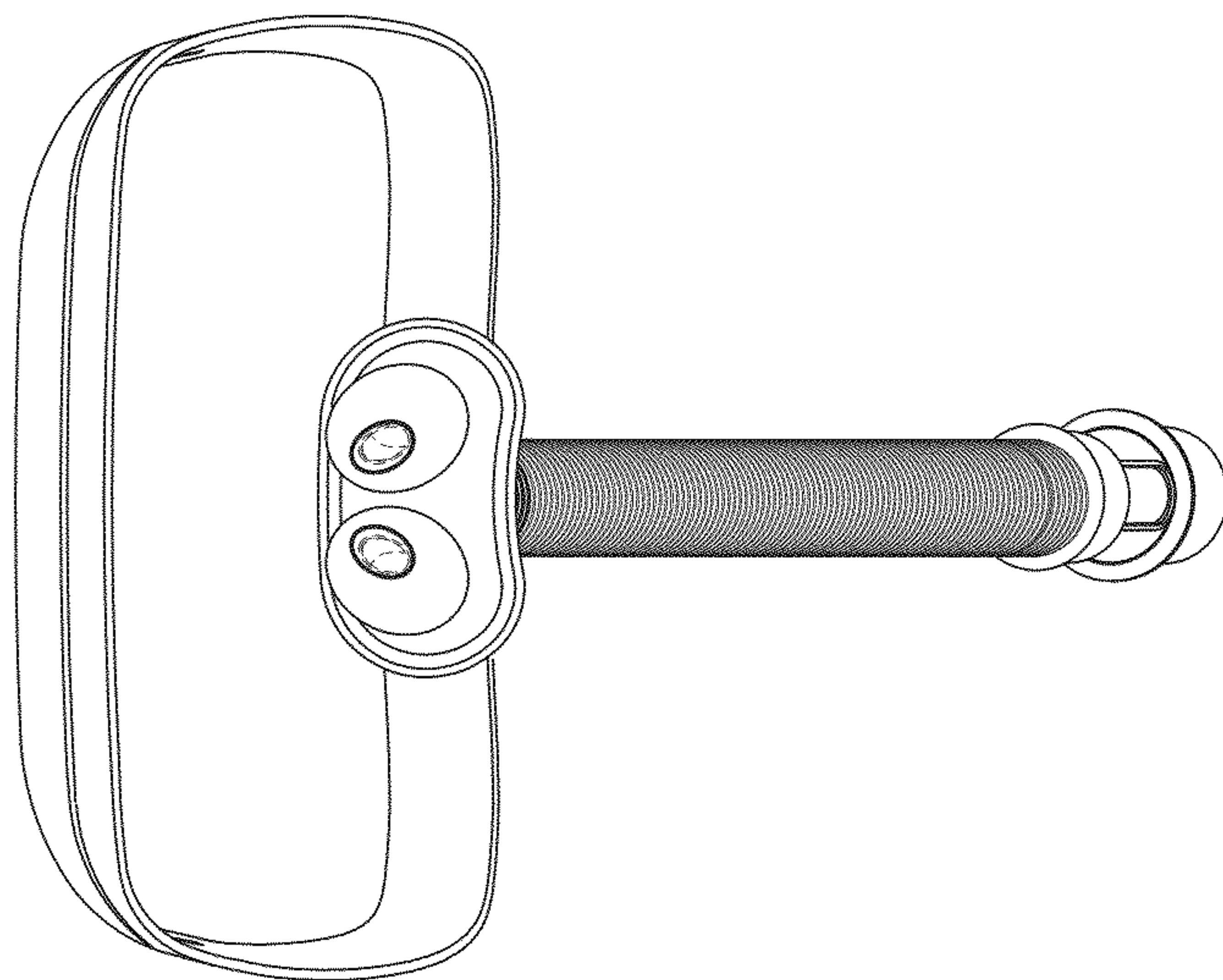


FIG. 18

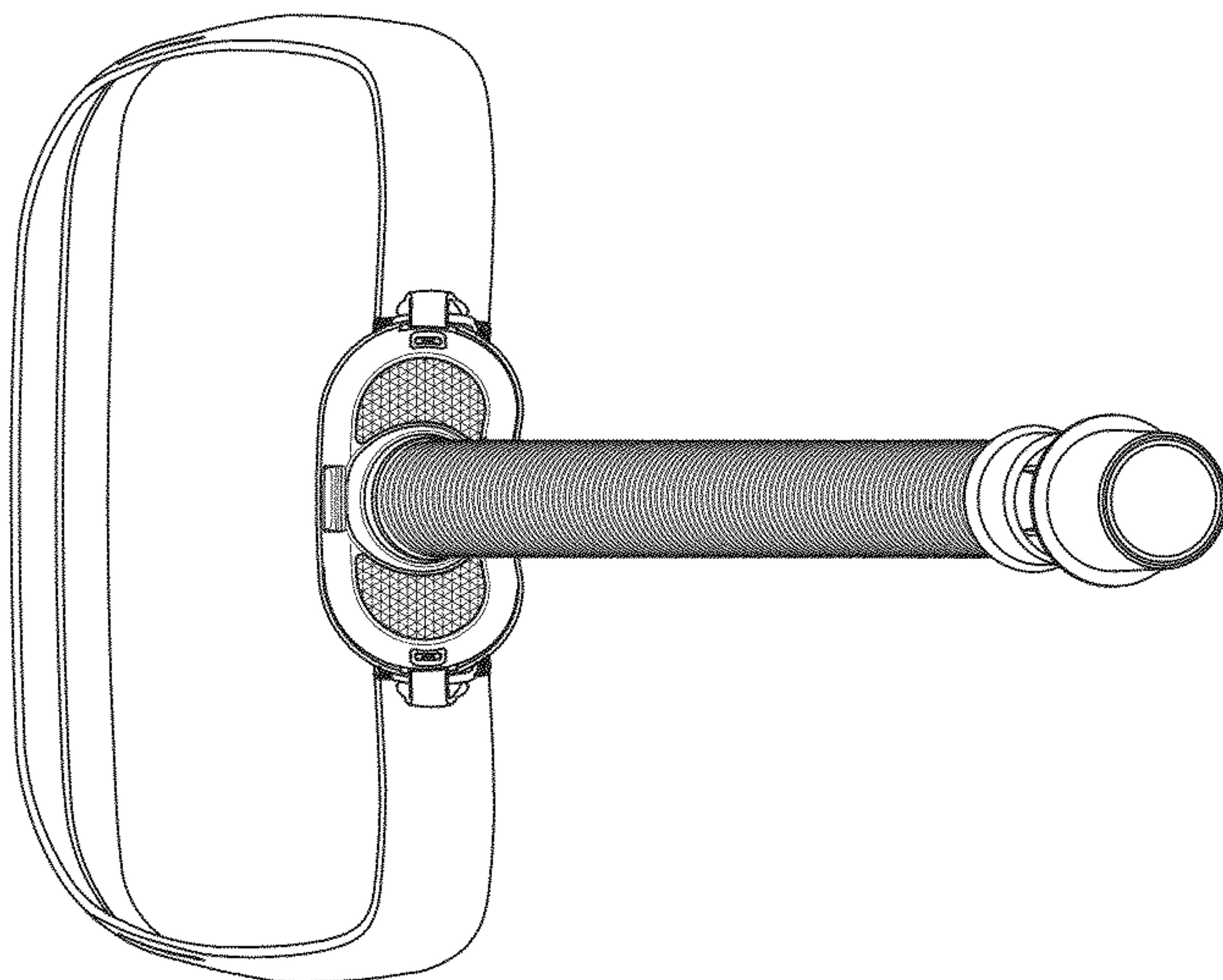


FIG. 17

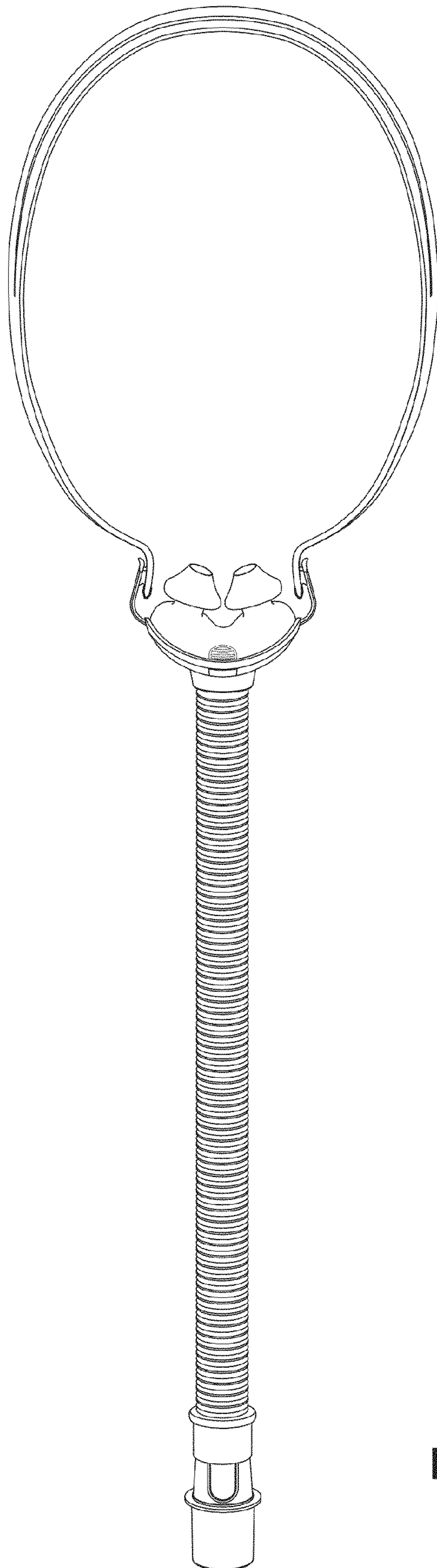


FIG. 19

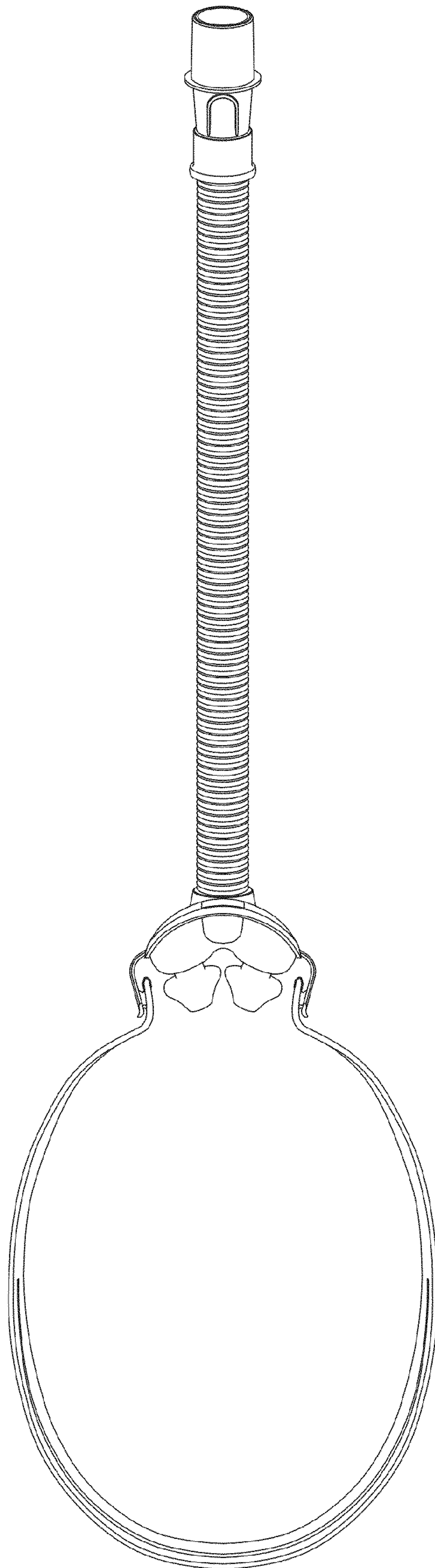


FIG. 20



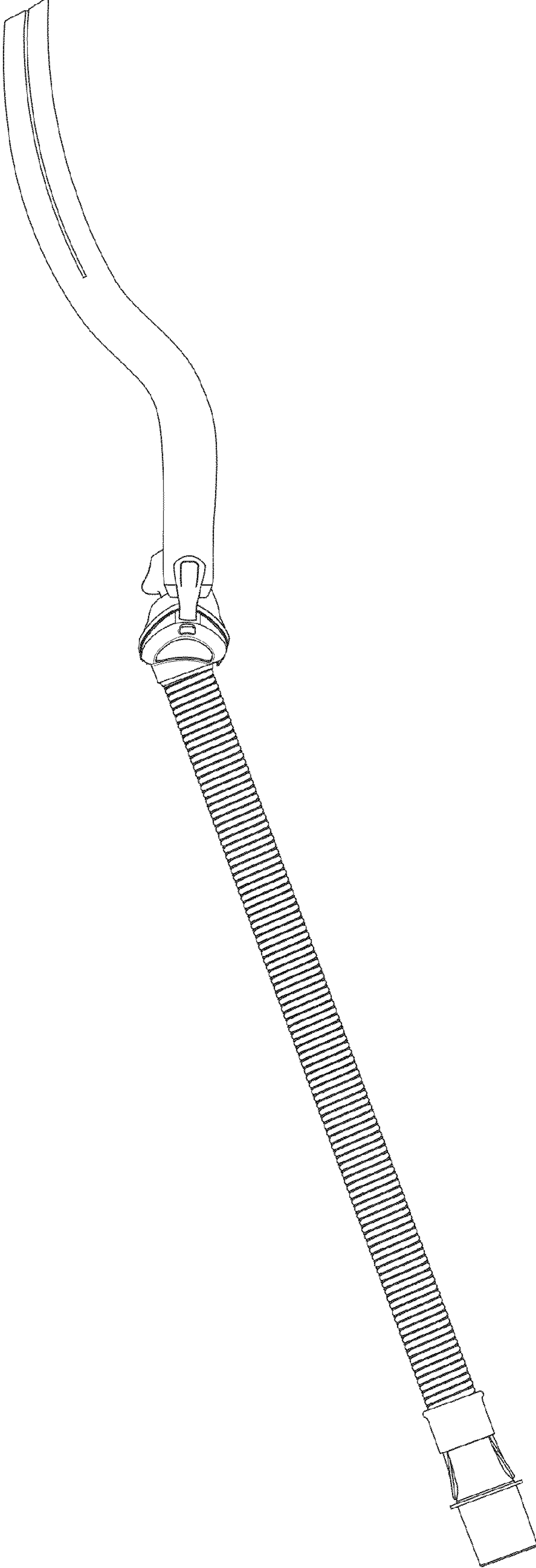


FIG. 21

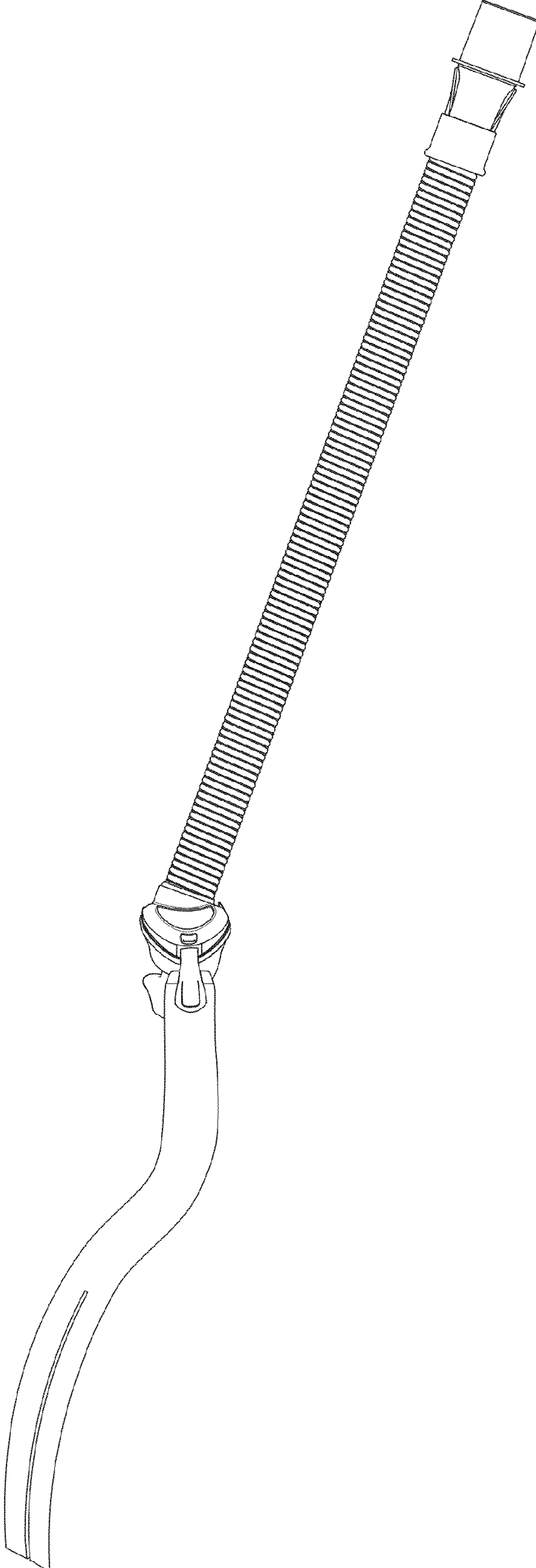


FIG. 22

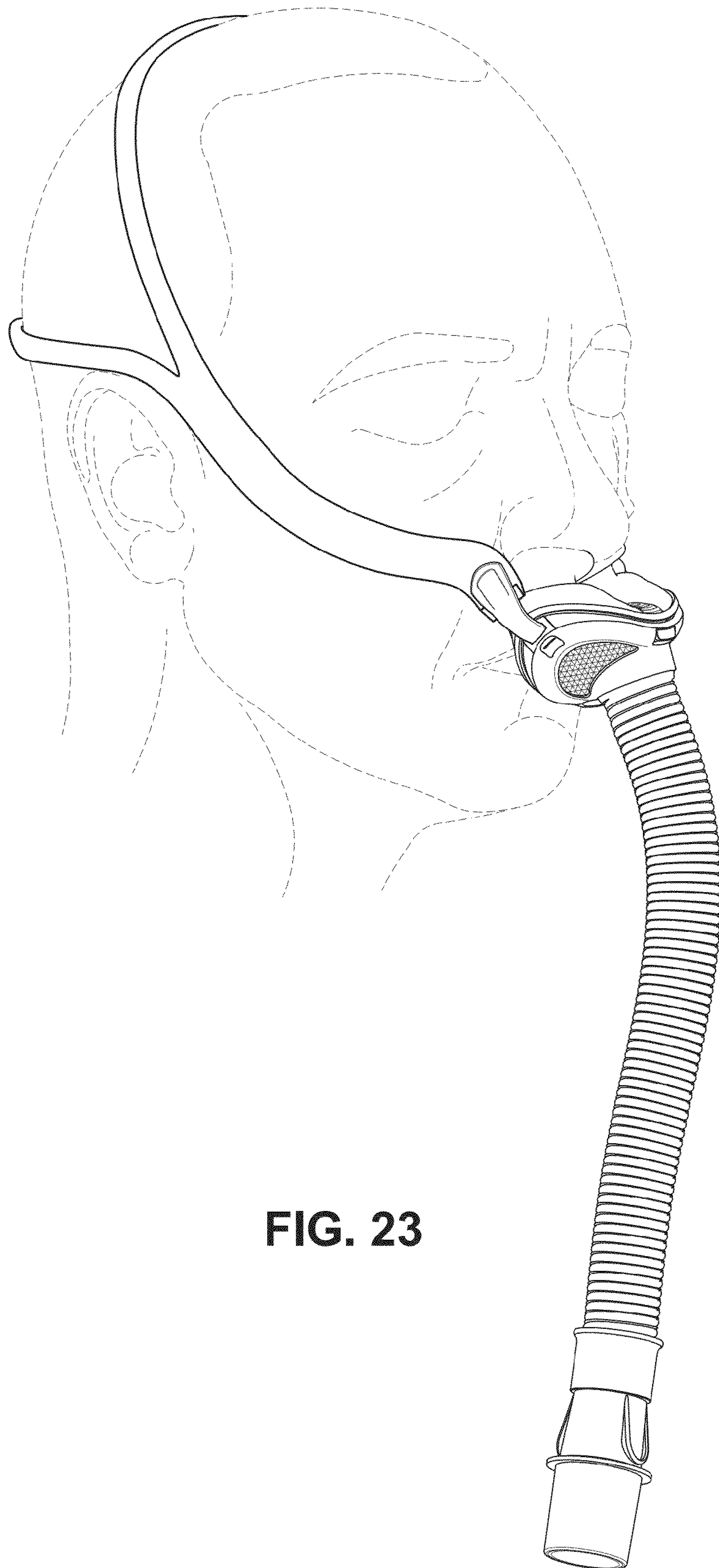


FIG. 23

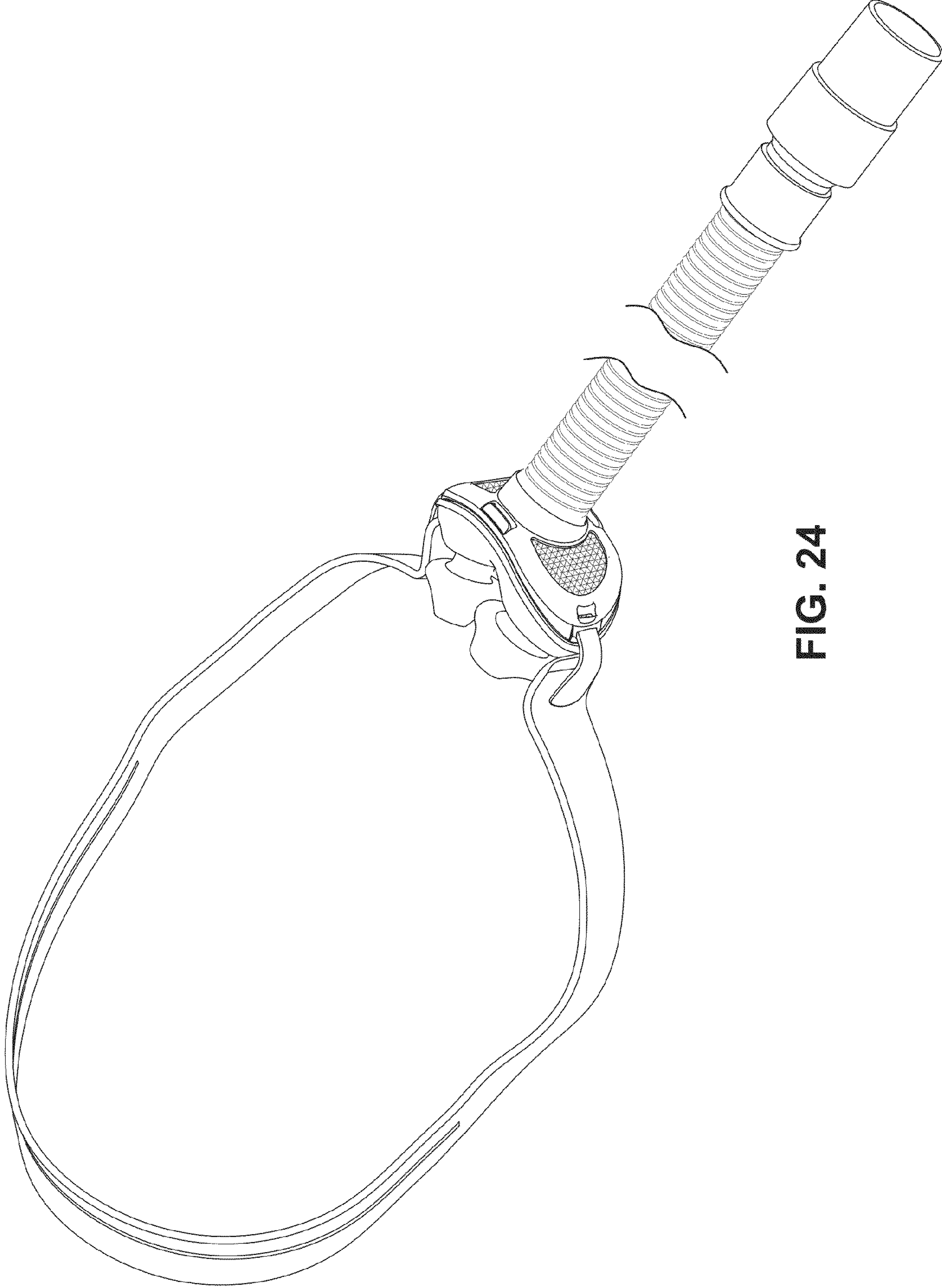


FIG. 24



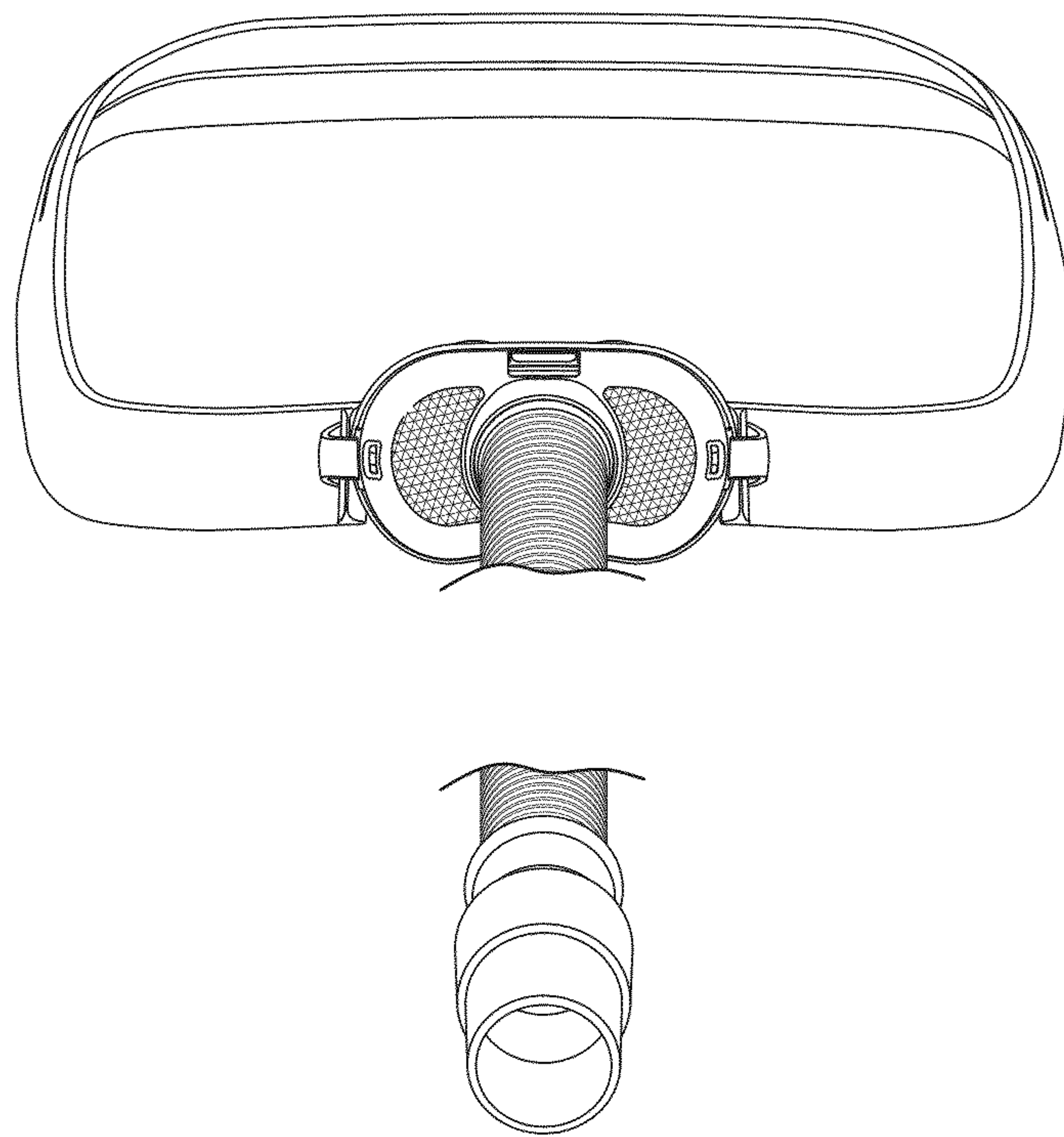


FIG. 25

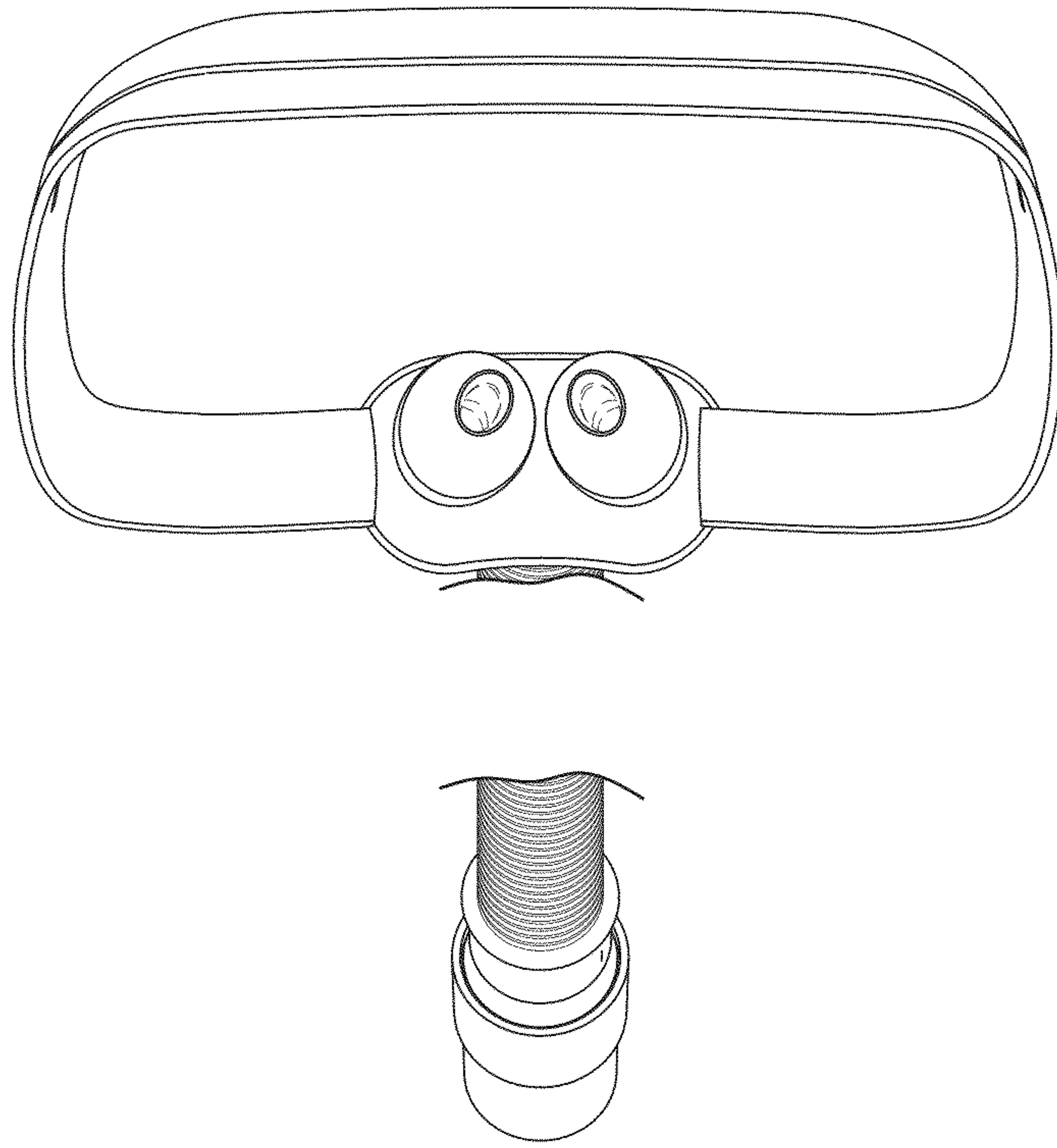


FIG. 26

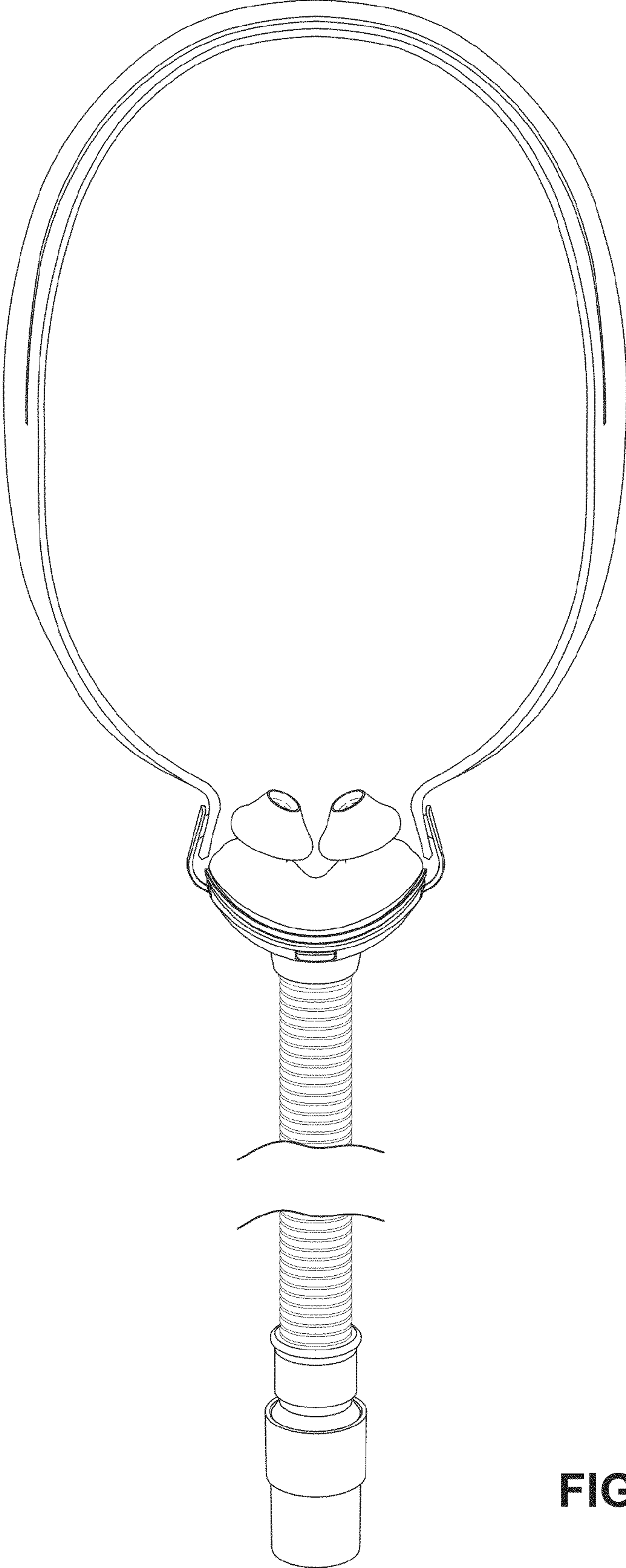


FIG. 27

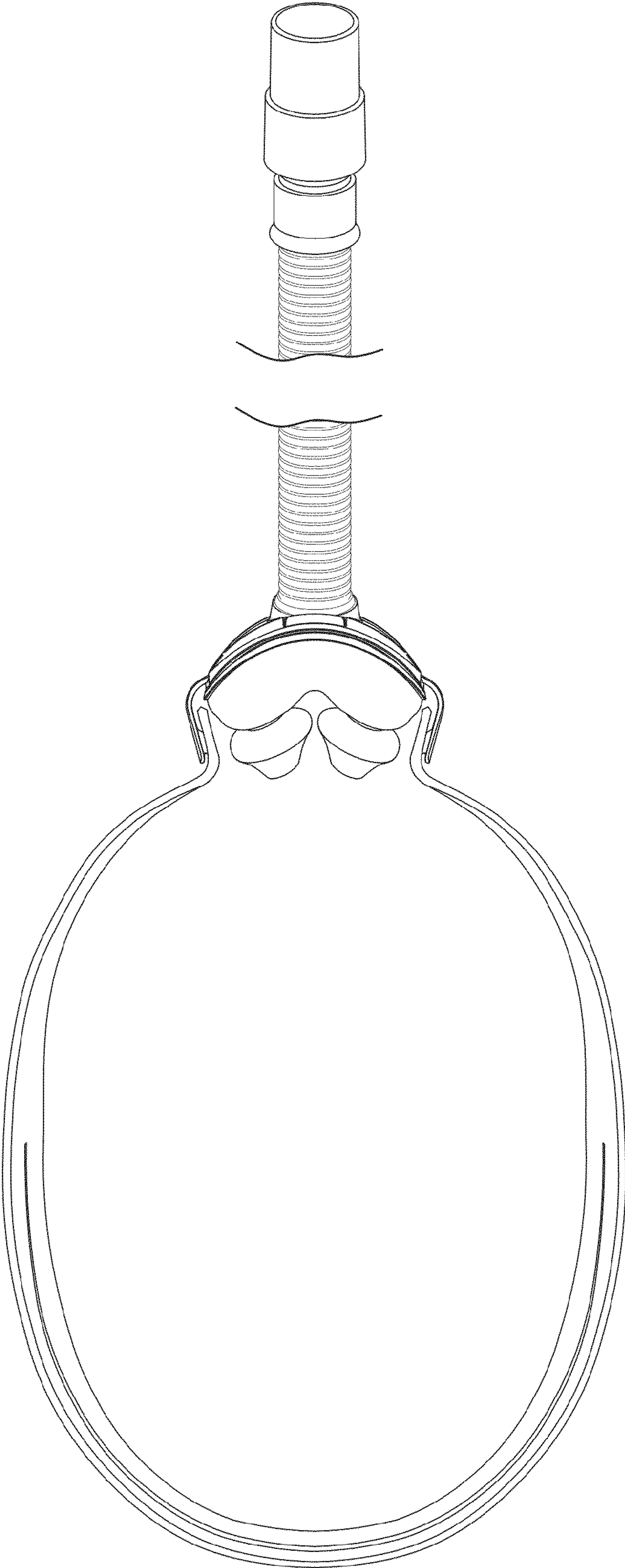


FIG. 28



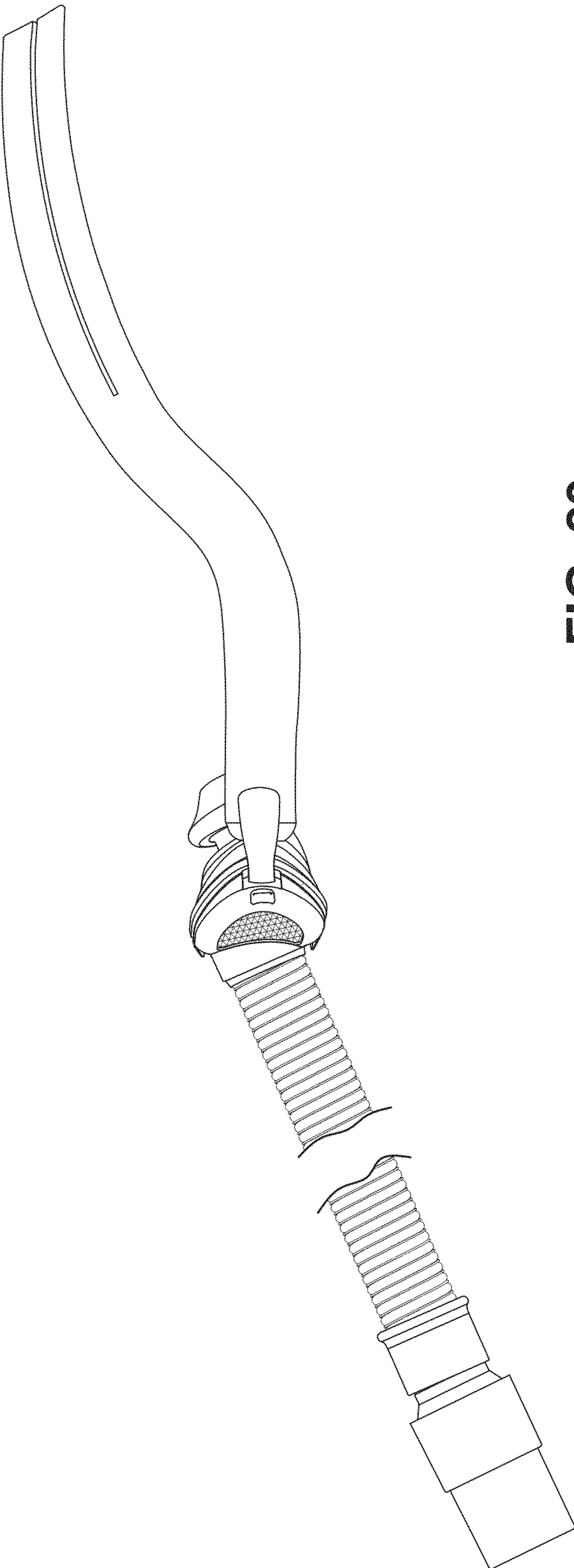


FIG. 29

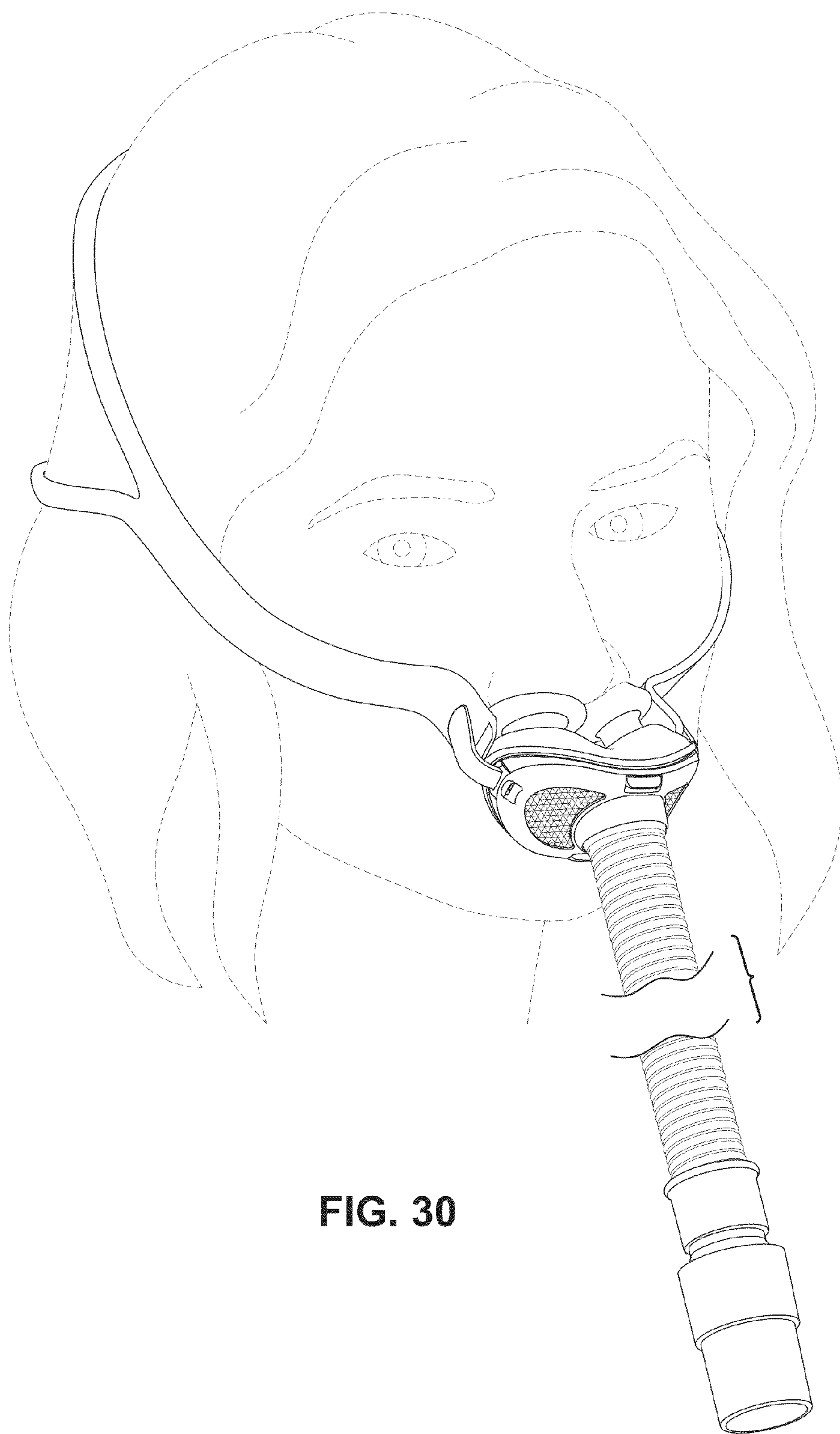


FIG. 30